



# STP70NS04ZC

N-channel clamped 8mΩ - 80A TO-220  
Fully protected SAFeFET™ Power MOSFET

## Features

Type	V <sub>DSS</sub>	R <sub>DS(on)</sub>	I <sub>D</sub>
STP70NS04ZC	Clamped	< 10mΩ	80A

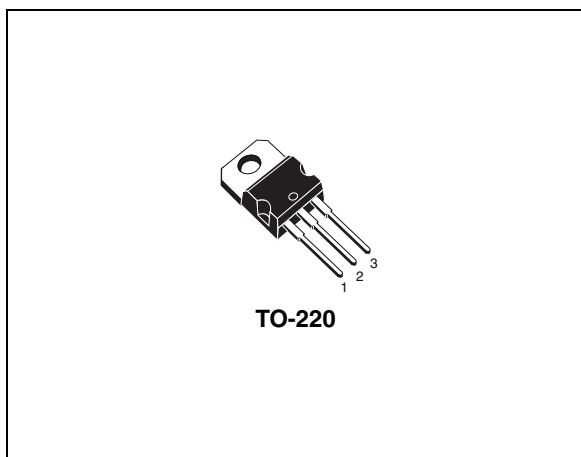
- Low capacitance and gate charge
- 100% avalanche tested
- 175°C maximum junction temperature

## Description

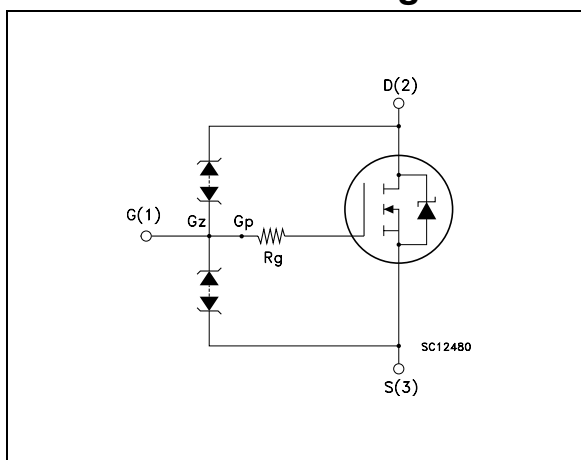
This fully clamped Power MOSFET is produced by using the latest advanced company's Mesh OVERLAY process which is based on a novel strip layout. The inherent benefits of the new technology coupled with the extra clamping capabilities make this product particularly suitable for the harshest operation conditions such as those encountered in the automotive environment. Any other application requiring extra ruggedness is also recommended.

## Applications

- Switching applications
  - ABS, solenoid drivers
  - Motor control
  - Dc-dc converters



## Internal schematic diagram



## Order code

Part number	Marking	Package	Packaging
STP70NS04ZC	P70NS04ZC	TO-220	Tube

# Contents

<b>1</b>	<b>Electrical ratings</b> .....	<b>3</b>
<b>2</b>	<b>Electrical characteristics</b> .....	<b>5</b>
	2.1 Electrical characteristics (curves) .....	6
<b>3</b>	<b>Test circuit</b> .....	<b>9</b>
<b>4</b>	<b>Package mechanical data</b> .....	<b>11</b>
<b>5</b>	<b>Revision history</b> .....	<b>13</b>

# 1 Electrical ratings

**Table 1. Absolute maximum ratings**

Symbol	Parameter	Value	Unit
$V_{DS}$	Drain-source voltage ( $V_{GS} = 0$ )	33 <sup>(1)</sup>	V
$V_{DG}$	drain-gate voltage	33 <sup>(1)</sup>	V
$V_{GS}$	Gate-source voltage	$\pm 20$ <sup>(1)</sup>	V
$I_D$ <sup>(2)</sup>	Drain current (continuous) at $T_C = 25^\circ\text{C}$	80	A
$I_D$ <sup>(2)</sup>	Drain current (continuous) at $T_C = 100^\circ\text{C}$	63	A
$I_{DG}$	Drain gate current (continuous)	$\pm 50$	A
$I_{GS}$	Gate-source current (continuous)	$\pm 50$	A
$I_{DM}$ <sup>(3)</sup>	Drain current (pulsed)	320	A
$P_{TOT}$	Total dissipation at $T_C = 25^\circ\text{C}$	180	W
	Derating factor	1.2	W/ $^\circ\text{C}$
$V_{ESD(G-S)}$	Gate-source ESD (HBM-C=100pF, R=1.5K $\Omega$ )	$\pm 8$	kV
$V_{ESD(G-D)}$	Gate-drain ESD (HBM-C=100pF, R=1.5K $\Omega$ )	$\pm 8$	kV
$V_{ESD(D-S)}$	Drain-source ESD (HBM-C=100pF, R=1.5K $\Omega$ )	$\pm 8$	kV
$T_J$	Operating junction temperature	-55 to 175	$^\circ\text{C}$
$T_{stg}$	Storage temperature		

1. Voltage is limited by zener diodes
2. Current limited by wire bonding
3. Pulse width limited by safe operating area

**Table 2. Thermal data**

Symbol	Parameter	Value	Unit
$R_{thj-case}$	Thermal resistance junction-case max	0.83	$^\circ\text{C}/\text{W}$
$R_{thj-amb}$	Thermal resistance junction-ambient max	62.5	$^\circ\text{C}/\text{W}$
$T_l$	Maximum lead temperature for soldering purpose	300	$^\circ\text{C}$

**Table 3. Avalanche data**

Symbol	Parameter	Value	Unit
$I_{AS}$	Avalanche current, repetitive or not repetitive (pulse width limited by $T_{jmax}$ )	30	A
$E_{AS}$	Single pulse avalanche energy (starting $T_j = 25^\circ\text{C}$ , $I_D = I_{AS}$ , $V_{DD} = 50\text{V}$ )	720	mJ

## 2 Electrical characteristics

( $T_{CASE}=25^{\circ}C$  unless otherwise specified)

**Table 4. On/off states**

Symbol	Parameter	Test conditions	Min.	Typ.	Max.	Unit
$V_{(BR)DG}$	Clamped voltage	$I_D = 1mA, V_{GS} = 0$	33			V
$I_{DSS}$	Zero gate voltage drain current ( $V_{GS} = 0$ )	$V_{DS} = 16V$			1	$\mu A$
$I_{GSS}$	Gate body leakage current ( $V_{DS} = 0$ )	$V_{GS} = \pm 10V$			2	$\mu A$
$V_{GSS}$	Gate-source breakdown voltage	$I_{GS} = \pm 100\mu A$	18			V
$V_{GS(th)}$	Gate threshold voltage	$V_{DS} = V_{GS}, I_D = 1mA$	2	3	4	V
$R_{DS(on)}$	Static drain-source on resistance	$V_{GS} = 10V, I_D = 40A$		8	11	m $\Omega$

**Table 5. Dynamic**

Symbol	Parameter	Test conditions	Min.	Typ.	Max.	Unit
$g_{fs}^{(1)}$	Forward transconductance	$V_{DS} = 15V, I_D = 30A$		35		S
$C_{iss}$	Input capacitance	$V_{DS} = 25V, f = 1 MHz, V_{GS} = 0$		1930		pF
$C_{oss}$	Output capacitance			700		pF
$C_{rss}$	Reverse transfer capacitance			230		pF
$t_{r(Voff)}$	Off voltage rise time	$V_{CLAMP} = 32V, I_D = 60A,$ $V_{GS} = 10V, R_G = 4.7\Omega$ <i>(see Figure 14)</i>		110		ns
$t_f$	Fall time			90		ns
$t_c$	Cross-over time			140		ns
$Q_g$	Total gate charge	$V_{DD} = 32V, I_D = 60A$ $V_{GS} = 10V$ <i>(see Figure 15)</i>		58		nC
$Q_{gs}$	Gate-source charge			14		nC
$Q_{gd}$	Gate-drain charge			26		nC
$R_G$	Internal gate resistor			14		$\Omega$

1. Pulsed: pulse duration=300 $\mu s$ , duty cycle 1.5%

**Table 6. Source drain diode**

Symbol	Parameter	Test conditions	Min.	Typ.	Max.	Unit
$I_{SD}$ $I_{SDM}^{(1)}$	Source-drain current Source-drain current (pulsed)				80 320	A A
$V_{SD}^{(2)}$	Forward on voltage	$I_{SD}=80A, V_{GS}=0$			1.5	V
$t_{rr}$ $Q_{rr}$ $I_{RRM}$	Reverse recovery time Reverse recovery charge Reverse recovery current	$I_{SD}=80A, di/dt = 100A/\mu s,$ $V_{DD}= 30 V, T_j=150^\circ C$ <i>(see Figure 19)</i>		90 0.18 4		ns $\mu C$ A

1. Pulse width limited by safe operating area
2. Pulsed: pulse duration=300 $\mu s$ , duty cycle 1.5%

## 2.1 Electrical characteristics (curves)

Figure 1. Safe operating area

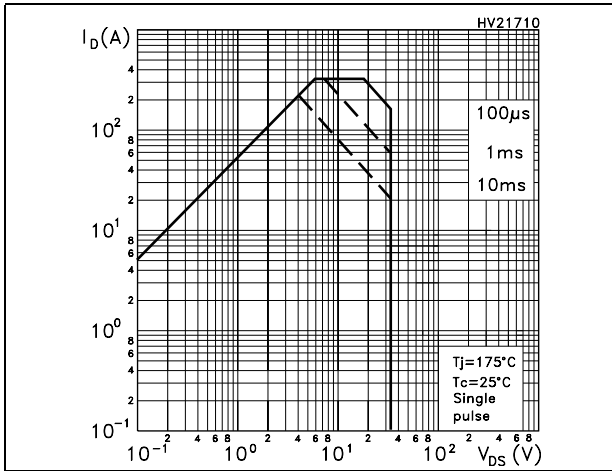


Figure 2. Thermal impedance

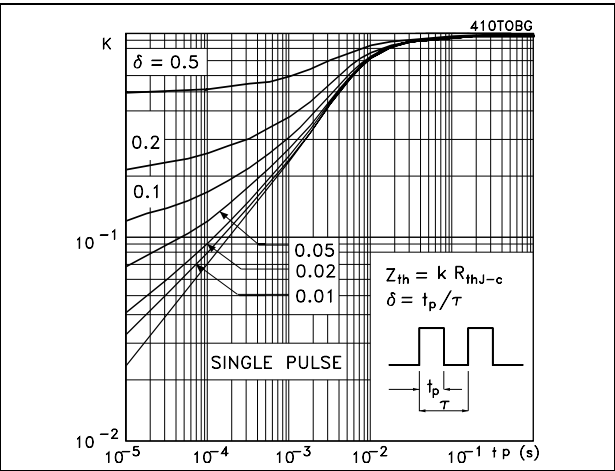


Figure 3. Output characteristics

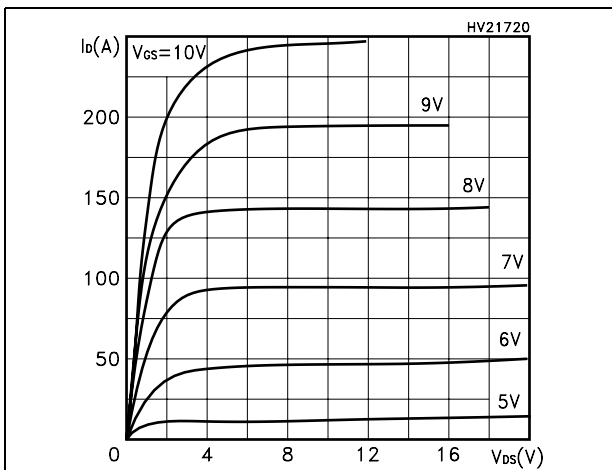


Figure 4. Transfer characteristics

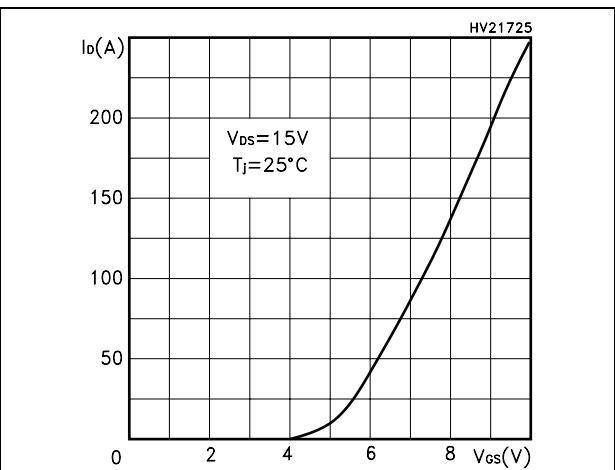


Figure 5. Transconductance

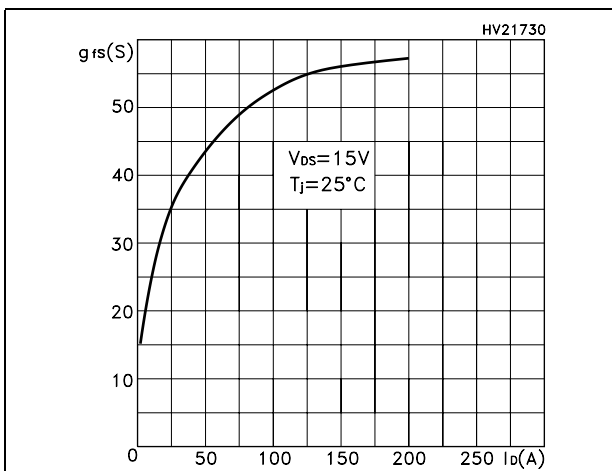


Figure 6. Static drain-source on resistance

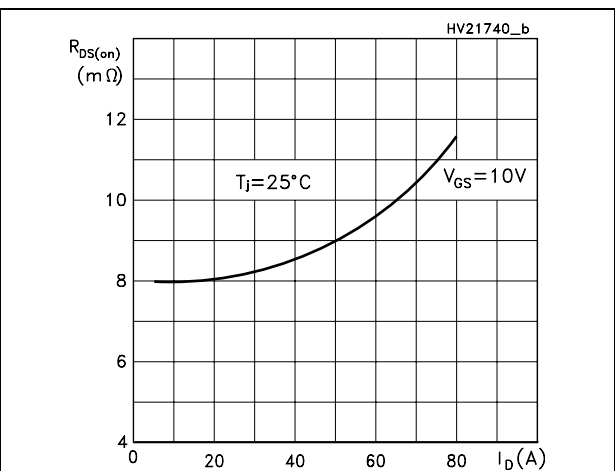


Figure 7. Gate charge vs gate-source voltage Figure 8. Capacitance variations

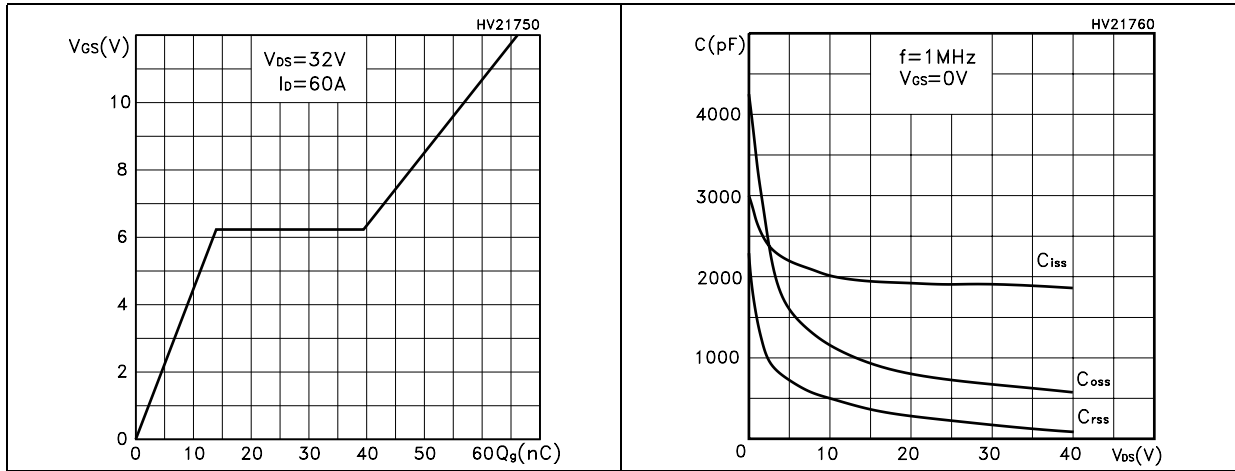


Figure 9. Normalized gate threshold voltage vs temperature

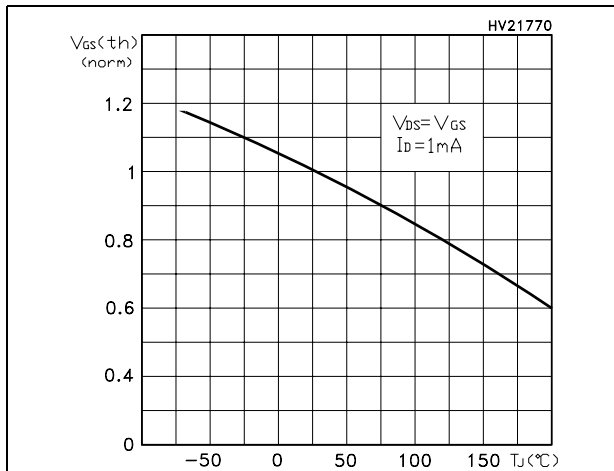


Figure 10. Normalized on resistance vs temperature

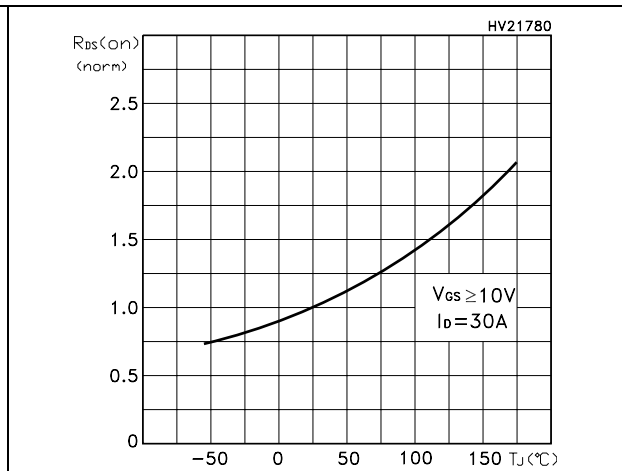


Figure 11. Source-drain diode forward characteristics

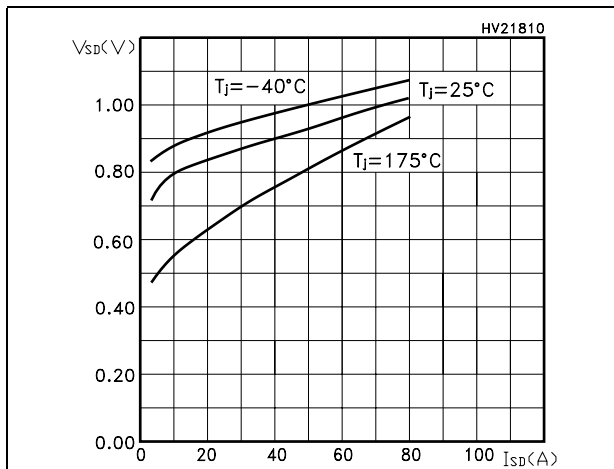


Figure 12. Normalized  $BV_{DSS}$  vs temperature

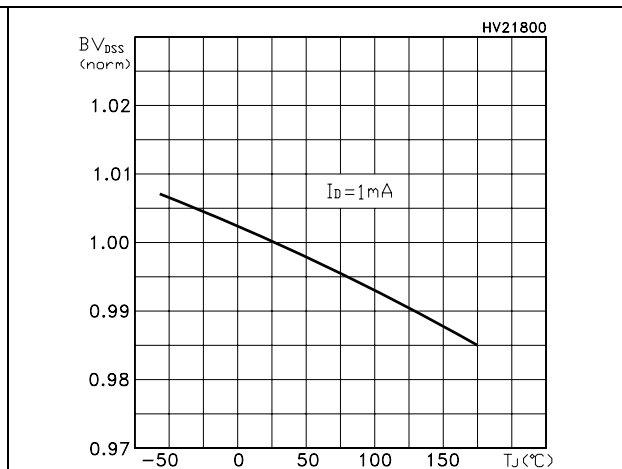
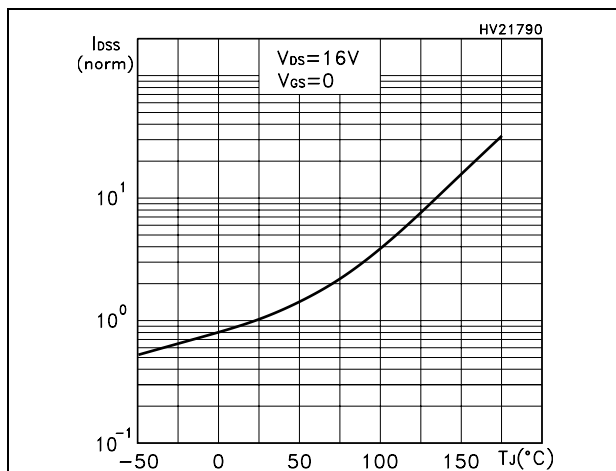


Figure 13. Normalized  $I_{DSS}$  vs temperature





### 3 Test circuit

Figure 14. Switching times test circuit for resistive load

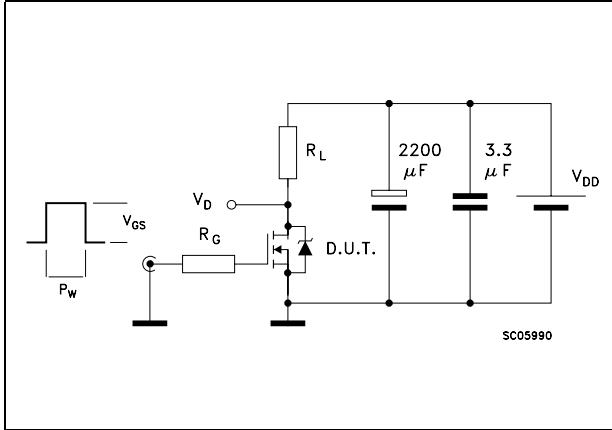


Figure 15. Gate charge test circuit

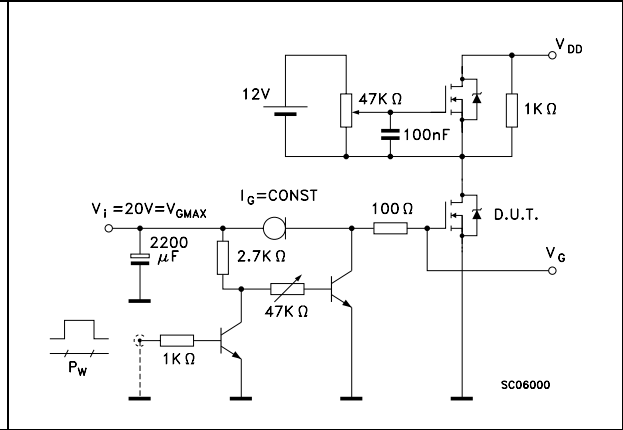


Figure 16. Test circuit for inductive load switching and diode recovery times

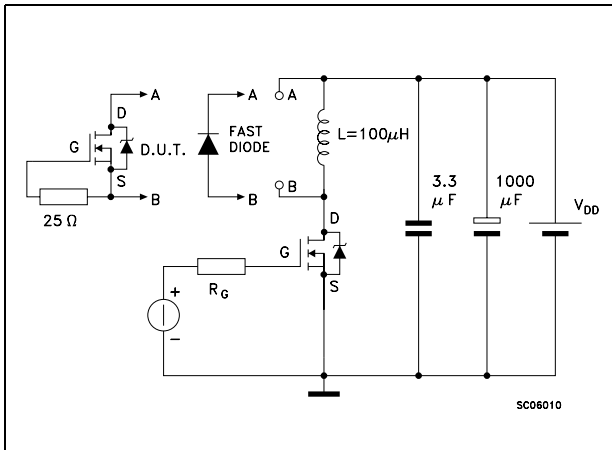


Figure 17. Unclamped Inductive load test circuit

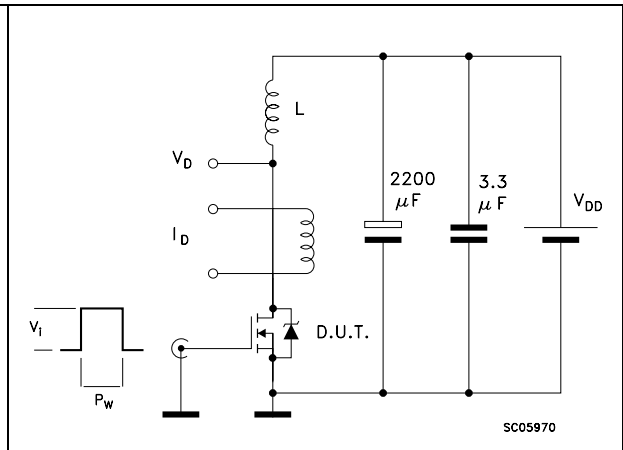


Figure 18. Unclamped inductive waveform

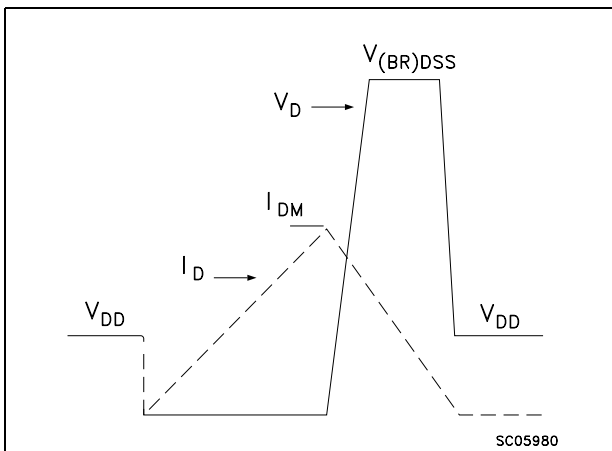
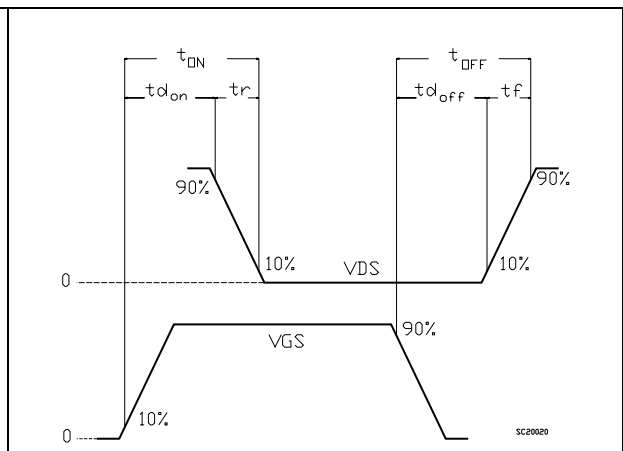


Figure 19. Switching time waveform

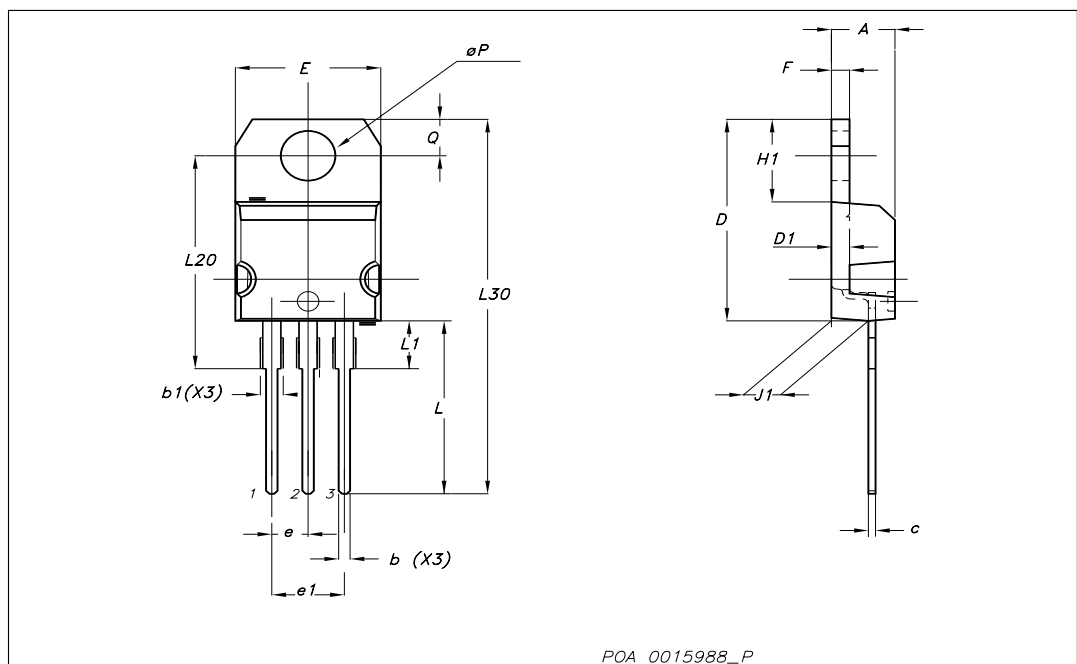


## 4 Package mechanical data

In order to meet environmental requirements, ST offers these devices in ECOPACK® packages. These packages have a Lead-free second level interconnect. The category of second level interconnect is marked on the package and on the inner box label, in compliance with JEDEC Standard JESD97. The maximum ratings related to soldering conditions are also marked on the inner box label. ECOPACK is an ST trademark. ECOPACK specifications are available at: [www.st.com](http://www.st.com)

## TO-220 mechanical data

Dim	mm			inch		
	Min	Typ	Max	Min	Typ	Max
A	4.40		4.60	0.173		0.181
b	0.61		0.88	0.024		0.034
b1	1.14		1.70	0.044		0.066
c	0.49		0.70	0.019		0.027
D	15.25		15.75	0.6		0.62
D1		1.27			0.050	
E	10		10.40	0.393		0.409
e	2.40		2.70	0.094		0.106
e1	4.95		5.15	0.194		0.202
F	1.23		1.32	0.048		0.051
H1	6.20		6.60	0.244		0.256
J1	2.40		2.72	0.094		0.107
L	13		14	0.511		0.551
L1	3.50		3.93	0.137		0.154
L20		16.40			0.645	
L30		28.90			1.137	
∅P	3.75		3.85	0.147		0.151
Q	2.65		2.95	0.104		0.116



## 5 Revision history

**Table 7. Revision history**

Date	Revision	Changes
04-May-2007	1	First release

**Please Read Carefully:**

Information in this document is provided solely in connection with ST products. STMicroelectronics NV and its subsidiaries ("ST") reserve the right to make changes, corrections, modifications or improvements, to this document, and the products and services described herein at any time, without notice.

All ST products are sold pursuant to ST's terms and conditions of sale.

Purchasers are solely responsible for the choice, selection and use of the ST products and services described herein, and ST assumes no liability whatsoever relating to the choice, selection or use of the ST products and services described herein.

No license, express or implied, by estoppel or otherwise, to any intellectual property rights is granted under this document. If any part of this document refers to any third party products or services it shall not be deemed a license grant by ST for the use of such third party products or services, or any intellectual property contained therein or considered as a warranty covering the use in any manner whatsoever of such third party products or services or any intellectual property contained therein.

**UNLESS OTHERWISE SET FORTH IN ST'S TERMS AND CONDITIONS OF SALE ST DISCLAIMS ANY EXPRESS OR IMPLIED WARRANTY WITH RESPECT TO THE USE AND/OR SALE OF ST PRODUCTS INCLUDING WITHOUT LIMITATION IMPLIED WARRANTIES OF MERCHANTABILITY, FITNESS FOR A PARTICULAR PURPOSE (AND THEIR EQUIVALENTS UNDER THE LAWS OF ANY JURISDICTION), OR INFRINGEMENT OF ANY PATENT, COPYRIGHT OR OTHER INTELLECTUAL PROPERTY RIGHT.**

**UNLESS EXPRESSLY APPROVED IN WRITING BY AN AUTHORIZED ST REPRESENTATIVE, ST PRODUCTS ARE NOT RECOMMENDED, AUTHORIZED OR WARRANTED FOR USE IN MILITARY, AIR CRAFT, SPACE, LIFE SAVING, OR LIFE SUSTAINING APPLICATIONS, NOR IN PRODUCTS OR SYSTEMS WHERE FAILURE OR MALFUNCTION MAY RESULT IN PERSONAL INJURY, DEATH, OR SEVERE PROPERTY OR ENVIRONMENTAL DAMAGE. ST PRODUCTS WHICH ARE NOT SPECIFIED AS "AUTOMOTIVE GRADE" MAY ONLY BE USED IN AUTOMOTIVE APPLICATIONS AT USER'S OWN RISK.**

Resale of ST products with provisions different from the statements and/or technical features set forth in this document shall immediately void any warranty granted by ST for the ST product or service described herein and shall not create or extend in any manner whatsoever, any liability of ST.

ST and the ST logo are trademarks or registered trademarks of ST in various countries.

Information in this document supersedes and replaces all information previously supplied.

The ST logo is a registered trademark of STMicroelectronics. All other names are the property of their respective owners.

© 2007 STMicroelectronics - All rights reserved

STMicroelectronics group of companies

Australia - Belgium - Brazil - Canada - China - Czech Republic - Finland - France - Germany - Hong Kong - India - Israel - Italy - Japan - Malaysia - Malta - Morocco - Singapore - Spain - Sweden - Switzerland - United Kingdom - United States of America

[www.st.com](http://www.st.com)