

Target Displays

Plug-on mount, enter key, manual format alignment

Display LCD two lines, interface RS485

N 155



N 155 with connector output

Features

- Target display for manual format aligning
- Display: LCD backlit, two lines
- One key permanently assigned as target
- Interface RS485

Technical data - electrical ratings

Voltage supply	24 VDC \pm 10 %
Current consumption	\leq 30 mA
Display	LCD, 7-segment display, 2-lines, backlit
Display range	-9999...+99999
Interface	RS485 (ASCII protocol)
Data memory	>10 years in EEPROM
Programmable parameters	Measuring unit mm/inch Direction arrows Decimal point
Standard DIN EN 61010-1	Overvoltage category II Protection class II Pollution degree 2
Emitted interference	DIN EN 61000-6-3
Interference immunity	DIN EN 61000-6-2
Approval	UL/cUL

Technical data - mechanical design

Protection DIN EN 60529	IP 65
Operating temperature	-10...+50 °C
Storing temperature	-20...+70 °C
Relative humidity	80 % non-condensing
E-connection	- Male/female connector M8, 4-pin - Cable output (30/15 cm) with male/female connector M8, 4-pin - Cable output (30/15 cm) with male/female connector M16, 5-pin
Operation / keypad	Membrane with one softkey (handshake)
Housing type	Surface mount housing with mounting plate
Dimensions W x H x L	37 x 75 x 29 mm
Mounting	Mount onto plate
Weight approx.	60 g
Material	Polyamide black, UL 94V-0

Target Displays

Plug-on mount, enter key, manual format alignment
Display LCD two lines, interface RS485

N 155

Part number

N 155. 1 3 B X01

				<u>Display</u>
			B	Horizontal at front
				<u>Voltage supply</u>
		3		24 VDC
				<u>E-connection</u>
	0			Connector output M8 with male and female connector
	1			Bottom cable output M8
	2			Rear cable output M8
	3			Bottom cable output M16
				<u>Interface</u>
1				RS485

Description

The multicon spindle positioning system is completed by a target display indicating also positions of hand wheels, limits, linear units etc in close vicinity of the actuator. The backlit LCD display provides the editing engineer with the target parameters. The handshake key is saving the edited parameters. Serial interface RS485 enables network of maximum 32 target and spindle position displays with PC or PLC.

For complete solutions also memory controllers as decentralized operating and memory terminals are available.

Accessories

Connectors and cables (page %S)

Z 178.A01	Adaptor cable between cable connector M8 and female M16, 1 m
Z 178.AW1	Cable connector M8, 4-pin, less cable with integrated terminating resistor 120 Ω
Z 178.B01	Mating connector M8, 4-pin, less cable
Z 178.D05	Data and supply cable M8, Master to N 150 and N 155, 5 m
Z 178.S01	Cable connector M8, 4-pin, less cable
Z 178.V01	Coupling cable 1 m between M8 and M8

Target Displays

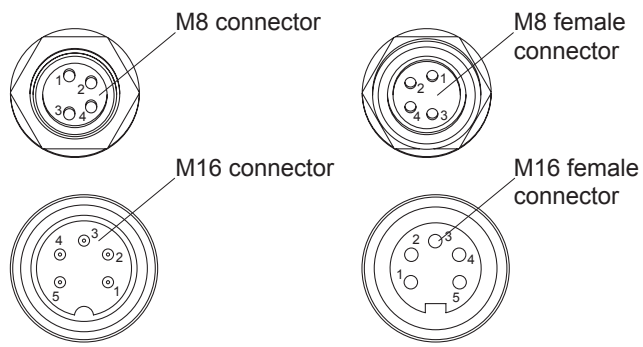
Plug-on mount, enter key, manual format alignment

Display LCD two lines, interface RS485

N 155

Terminal assignment

M8 connector	M16 connector	Assignment
Pin 1	Pin 5	Tx/Rx-, RS485
Pin 2	Pin 4	Tx/Rx+, RS485
Pin 3	Pin 1	Sensor supply +24 V
Pin 4	Pin 2	Sensor supply 0 V



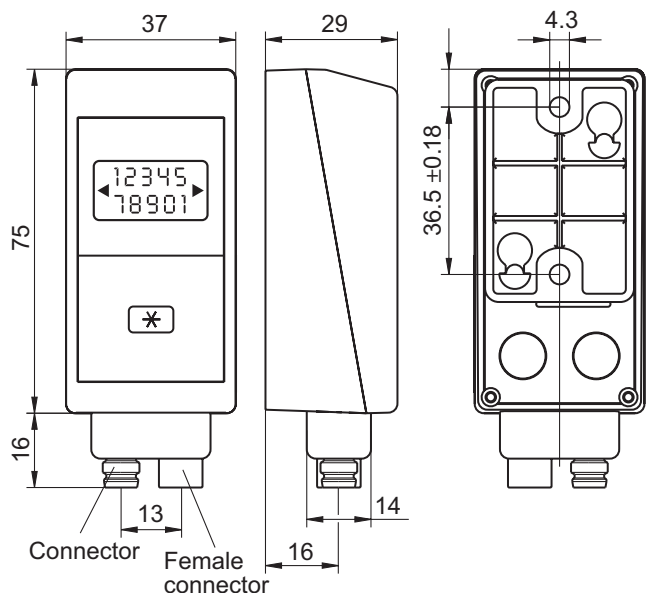
Target Displays

Plug-on mount, enter key, manual format alignment
 Display LCD two lines, interface RS485

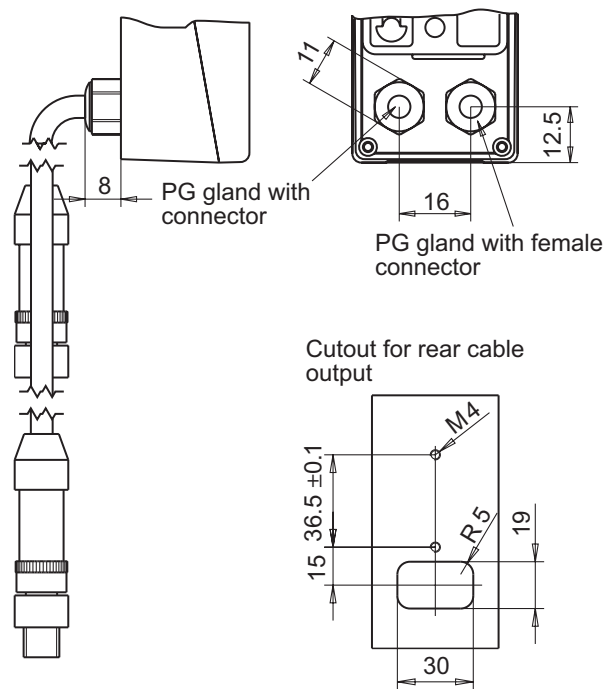
N 155

Dimensions

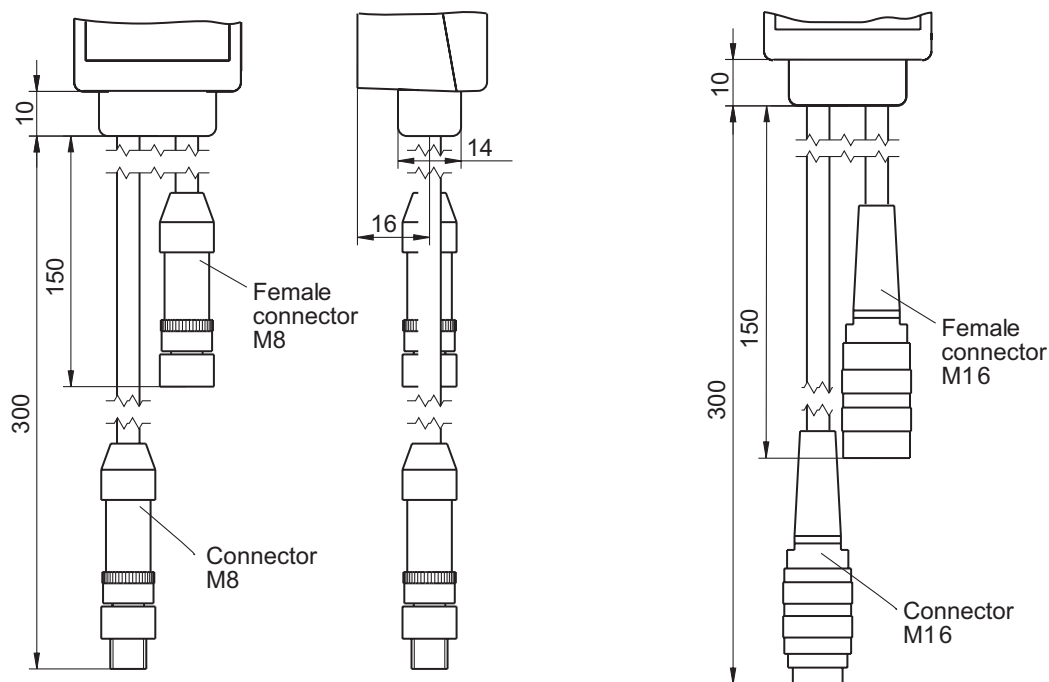
Connector male and female



Cable output rear, M8



Bottom cable output, M8 and M16



30/10/2008 Subject to modification in technic and design. Errors and omissions excepted.