

IRS2130D/IRS21303D/IRS2132D

3-PHASE BRIDGE DRIVER

Features

- Floating channel designed for bootstrap operation
- Fully operational to +600 V
- Tolerant to negative transient voltage, dV/dt immune
- Gate drive supply range from 10 V to 20 V
- Undervoltage lockout for all channels
- Over-current shutdown turns off all six drivers
- Three Independent half-bridge drivers
- Matched propagation delay for all channels
- 2.5 V logic compatible
- Outputs out of phase with inputs
- Cross-conduction prevention logic
- All parts are LEAD-FREE
- Integrated bootstrap diode function

Product Summary

V_{OFFSET}	600 V max.
$I_{\text{O}+/-}$ (min.)	200 mA / 420 mA
V_{OUT}	10 V – 20 V (IRS213(0,2)D) 13 V – 20 V (IRS21303D)
$t_{\text{on/off}}$ (typ.)	500 ns
Deadtime (typ.)	2.0 μs (IRS2130D) 0.7 μs (IRS213(2,03)D)

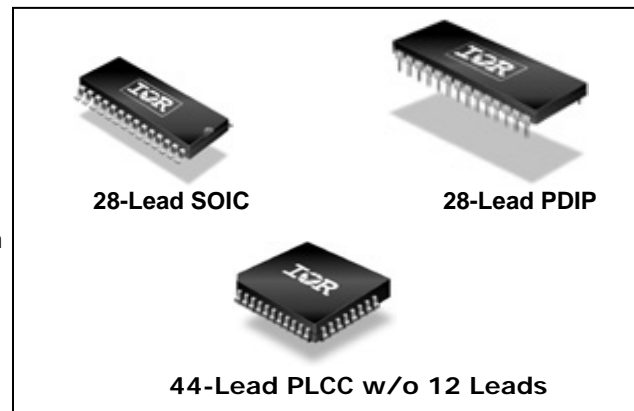
Applications:

- *Motor Control
- *Air Conditioners/ Washing Machines
- *General Purpose Inverters
- *Micro/Mini Inverter Drives

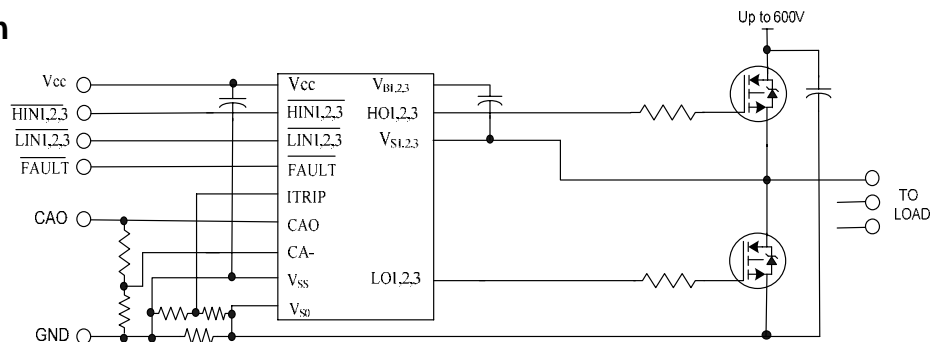
Description

The IRS213(0, 03, 2)D are high voltage, high speed power MOSFET and IGBT drivers with three independent high and low side referenced output channels. Proprietary HVIC technology enables ruggedized monolithic construction. Logic inputs are compatible with CMOS or LSTTL outputs, down to 2.5 V logic. A ground-referenced operational amplifier provides analog feedback of bridge current via an external current sense resistor. A current trip function which terminates all six outputs is also derived from this resistor. An open drain FAULT signal indicates if an over-current or undervoltage shutdown has occurred. The output drivers feature a high pulse current buffer stage designed for minimum driver cross-conduction. Propagation delays are matched to simplify use at high frequencies. The floating channels can be used to drive N-channel power MOSFETs or IGBTs in the high side configuration which operates up to 600 V.

Packages



Typical Connection



(Refer to Lead Assignments for correct pin configuration). This diagram shows electrical connections only. Please refer to our Application Notes and Design Tips for proper circuit board layout.

Absolute Maximum Ratings

Absolute Maximum Ratings indicate sustained limits beyond which damage to the device may occur. All voltage parameters are absolute voltages referenced to V_{SO} . The thermal resistance and power dissipation ratings are measured under board mounted and still air conditions. Zener clamps are included between V_{CC} & V_{SO} (25 V), V_{CC} & V_{SS} (20V), and V_{Bx} & V_{Sx} (20 V).

Symbol	Definition	Min.	Max.	Units	
$V_{B1,2,3}$	High side floating supply voltage	-0.3	625	V	
$V_{S1,2,3}$	High side floating offset voltage	$V_{B1,2,3} - 20$	$V_{B1,2,3} + 0.3$		
$V_{HO1,2,3}$	High side floating output voltage	$V_{S1,2,3} - 0.3$	$V_{B1,2,3} + 0.3$		
V_{CC}	Low side and logic fixed supply voltage	-0.3	25		
V_{SS}	Logic ground	$V_{CC} - 20$	$V_{CC} + 0.3$		
$V_{LO1,2,3}$	Low side output voltage	-0.3	$V_{CC} + 0.3$		
V_{IN}	Logic input voltage ($\overline{HIN1,2,3}$, $\overline{LIN1,2,3}$ & ITRIP)	$V_{SS} - 0.3$	$(V_{SS} + 15)$ or $(V_{CC} + 0.3)$, whichever is lower		
V_{FLT}	\overline{FAULT} output voltage	$V_{SS} - 0.3$	$V_{CC} + 0.3$		
V_{CAO}	Operational amplifier output voltage	$V_{SS} - 0.3$	$V_{CC} + 0.3$		
V_{CA-}	Operational amplifier inverting input voltage	$V_{SS} - 0.3$	$V_{CC} + 0.3$		
dV_S/dt	Allowable offset supply voltage transient	—	50	V/ns	
P_D	Package power dissipation @ $T_A \leq +25^\circ\text{C}$	(28 lead PDIP)	—	1.5	W
		(28 lead SOIC)	—	1.6	
		(44 lead PLCC)	—	2.0	
$R_{th,JA}$	Thermal resistance, junction to ambient	(28 lead PDIP)	—	83	$^\circ\text{C/W}$
		(28 lead SOIC)	—	78	
		(44 lead PLCC)	—	63	
T_J	Junction temperature	—	150	$^\circ\text{C}$	
T_S	Storage temperature	-55	150		
T_L	Lead temperature (soldering, 10 seconds)	—	300		

Recommended Operating Conditions

The input/output logic timing diagram is shown in Fig. 1. For proper operation, the device should be used within the recommended conditions. All voltage parameters are absolute voltage referenced to V_{SO} . The V_S offset rating is tested with all supplies biased at a 15 V differential.

Symbol	Definition		Min.	Max.	Units
$V_{B1,2,3}$	High side floating supply voltage	IRS213(0,2)D	$V_{S1,2,3} + 10$	$V_{S1,2,3} + 20$	V
		IRS21303D	$V_{S1,2,3} + 13$		
$V_{S1,2,3}$	High side floating offset voltage		Note 1	600	
$V_{HO1,2,3}$	High side floating output voltage		$V_{S1,2,3}$	$V_{B1,2,3}$	
V_{CC}	Low side and logic fixed supply voltage	IRS213(0,2)D	10	20	
		IRS21303D	13		
V_{SS}	Logic ground		-5	5	
$V_{LO1,2,3}$	Low side output voltage		0	V_{CC}	
V_{IN}	Logic input voltage ($\overline{HIN1,2,3}$, $\overline{LIN1,2,3}$ & ITRIP)		V_{SS}	$V_{SS} + 5$	
V_{FLT}	\overline{FAULT} output voltage		V_{SS}	V_{CC}	
V_{CAO}	Operational amplifier output voltage		V_{SS}	$V_{SS} + 5$	
V_{CA-}	Operational amplifier inverting input voltage		V_{SS}	$V_{SS} + 5$	
T_A	Ambient temperature		-40	125	°C

Note 1: Logic operational for V_S of ($V_{SO} - 8$ V) to ($V_{SO} + 600$ V). Logic state held for V_S of ($V_{SO} - 8$ V) to ($V_{SO} - V_{BS}$).
(Please refer to the Design Tip DT97-3 for more details).

Note 2: The CAO pin and all input pins (except CA-) are internally clamped with a 5.2 V zener diode.

Static Electrical Characteristics

V_{BIAS} (V_{CC} , $V_{BS1,2,3}$) = 15 V, $V_{SO1,2,3}$ = V_{SS} and T_A = 25 °C unless otherwise specified. The V_{IN} , V_{TH} , and I_{IN} parameters are referenced to V_{SS} and are applicable to all six logic input leads: $\overline{HIN1,2,3}$ & $LIN1,2,3$. The V_O and I_O parameters are referenced to $V_{SO1,2,3}$ and are applicable to the respective output leads: $HO1,2,3$ or $LO1,2,3$.

Symbol	Definition	Min.	Typ.	Max.	Units	Test Conditions	
V_{IH}	Logic "0" input voltage (OUT = LO)	2.2	—	—	V		
V_{IL}	Logic "1" input voltage (OUT = HI)	—	—	0.8			
$V_{IT,TH+}$	ITRIP input positive going threshold	400	490	580	mV		
V_{OH}	High level output voltage, $V_{BIAS} - V_O$	—	—	1	V	$V_{IN} = 0$ V, $I_O = 20$ mA	
V_{OL}	Low level output voltage, V_O	—	—	400	mV	$V_{IN} = 5$ V, $I_O = 20$ mA	
I_{LK}	Offset supply leakage current	—	—	50	μ A	$V_B = V_S = 600$ V	
I_{QBS}	Quiescent V_{BS} supply current	—	30	70		$V_{IN} = 0$ V	
I_{QCC}	Quiescent V_{CC} supply current	—	4	6	μ A		
I_{IN+}	Logic "1" input bias current (OUT = HI)	—	300	400			μ A
I_{IN-}	Logic "0" input bias current (OUT = LO)	—	220	300	$V_{IN} = 5$ V		
I_{ITRIP+}	"High" ITRIP bias current	—	5	100	nA	ITRIP = 5 V	
I_{ITRIP-}	"Low" ITRIP bias current	—	—	10		ITRIP = 0 V	
V_{BSUV+}	V_{BS} supply undervoltage positive going threshold	IRS213(0,2)D	7.5	8.35	9.2	V	
		IRS21303D	11	—	13		
V_{BSUV-}	V_{BS} supply undervoltage negative going threshold	IRS213(0,2)D	7.1	7.95	8.8		
		IRS21303D	9	—	11		
V_{CCUV+}	V_{CC} supply undervoltage positive going threshold	IRS213(0,2)D	8.3	9	9.7		
		IRS21303D	11	—	13		
V_{CCUV-}	V_{CC} supply undervoltage negative going threshold	IRS213(0,2)D	8	8.7	9.4		
		IRS21303D	9	—	11		
V_{CCUVH}	Hysteresis	IRS213(0,2)D	—	0.3	—		
		IRS21303D	—	2	—		
V_{BSUVH}	Hysteresis	IRS213(0,2)D	—	0.4	—		
		IRS21303D	—	2	—		
$R_{ON,FLT}$	\overline{FAULT} low on-resistance	—	55	75	Ω		
I_{O+}	Output high short circuit pulsed current	200	250	—	mA	$V_O = 0$ V, $V_{IN} = 0$ V $PW \leq 10$ μ s	
I_{O-}	Output low short circuit pulsed current	420	500	—		$V_O = 15$ V, $V_{IN} = 5$ V $PW \leq 10$ μ s	
R_{BS}	Integrated bootstrap diode resistance	—	200	—	Ω		
V_{OS}	Operational amplifier input offset voltage	—	—	10	mV	$V_{SO} = V_{CA-} = 0.2$ V	
I_{CA-}	CA- input bias current	—	—	50	nA	$V_{CA-} = 2.5$ V	
CMRR	Operational amplifier common mode rejection ratio	TBD	80	—	dB	$V_{SO} = V_{CA-} = 0.1$ V & 1.1 V	
PSRR	Operational amplifier power supply rejection ratio	TBD	75	—		$V_{SO} = V_{CA-} = 0.2$ V $V_{CC} = 10$ V & 20 V	
$V_{OH,AMP}$	Operational amplifier high level output voltage	4.9	5.2	5.4	V	$V_{CA-} = 0$ V, $V_{SO} = 1$ V	
$V_{OL,AMP}$	Operational amplifier low level output voltage	—	—	30	mV	$V_{CA-} = 1$ V, $V_{SO} = 0$ V	

Note: Please refer to Feature Description section for integrated bootstrap functionality information.

Static Electrical Characteristics - (Continued)

V_{BIAS} (V_{CC} , $V_{BS1,2,3}$) = 15 V, $V_{SO1,2,3}$ = V_{SS} and T_A = 25 °C unless otherwise specified. The V_{IN} , V_{TH} , and I_{IN} parameters are referenced to V_{SS} and are applicable to all six logic input leads: HIN1,2,3 & LIN1,2,3. The V_O and I_O parameters are referenced to $V_{SO1,2,3}$ and are applicable to the respective output leads: HO1,2,3 or LO1,2,3.

Symbol	Definition	Min.	Typ.	Max.	Units	Test Conditions
$I_{SRC,AMP}$	Operational amplifier output source current	4	7	—	mA	$V_{CA-} = 0\text{ V}$, $V_{SO} = 1\text{ V}$ $V_{CAO} = 4\text{ V}$
$I_{SNK,AMP}$	Operational amplifier output sink current	1	2.1	—		$V_{CA-} = 1\text{ V}$, $V_{SO} = 0\text{ V}$ $V_{CAO} = 2\text{ V}$
$I_{O+,AMP}$	Operational amplifier output high short circuit current	—	10	—		$V_{CA-} = 0\text{ V}$, $V_{SO} = 5\text{ V}$ $V_{CAO} = 0\text{ V}$
$I_{O-,AMP}$	Operational amplifier output low short circuit current	—	4	—		$V_{CA-} = 5\text{ V}$, $V_{SO} = 0\text{ V}$ $V_{CAO} = 5\text{ V}$

Dynamic Electrical Characteristics

V_{BIAS} (V_{CC} , $V_{BS1,2,3}$) = 15 V, $V_{SO1,2,3}$ = V_{SS} , C_L = 1000 pF, T_A = 25 °C unless otherwise specified.

Symbol	Definition	Min.	Typ.	Max.	Units	Test Conditions
t_{on}	Turn-on propagation delay	400	500	700	ns	$V_{S1,2,3} = 0\text{ V to }600\text{ V}$
t_{off}	Turn-off propagation delay	400	500	700		
t_r	Turn-on rise time	—	80	125		
t_f	Turn-off fall time	—	35	55		
t_{trip}	ITRIP to output shutdown propagation delay	400	660	920		
t_{bl}	ITRIP blanking time	—	400	—		
t_{fit}	ITRIP to FAULT indication delay	350	550	870		
$t_{fit, in}$	Input filter time (all six inputs)	—	325	—		
t_{fitclr}	LIN1,2,3 to FAULT clear time IRS213(0,2)D LIN1,2,3 & HIN1,2,3 to FAULT clear time IRS21303D	5300	8500	13700		
		DT	Deadtime	IRS2130D		
		IRS213(2,03)D	500	700	1100	
SR+	Operational amplifier slew rate (+)	5	10	—	V/ μ s	1 V input step
SR-	Operational amplifier slew rate (-)	2.4	3.2	—		

NOTE: For high side PWM, HIN pulse width must be $\geq 1.5\ \mu\text{s}$.

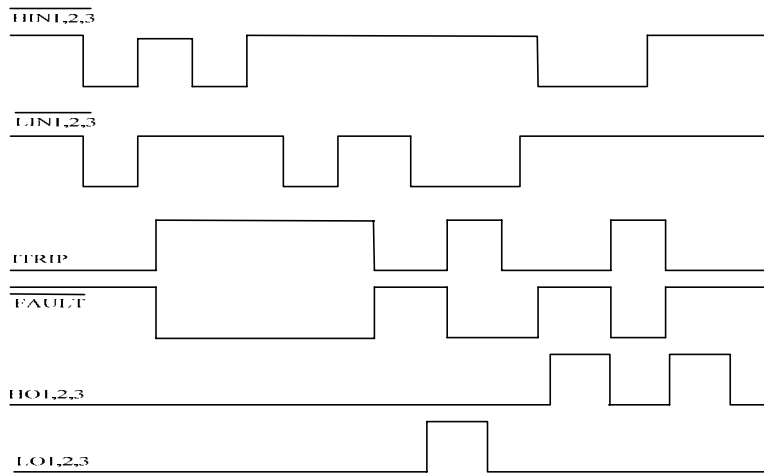


Fig. 1. Input/Output Timing Diagram

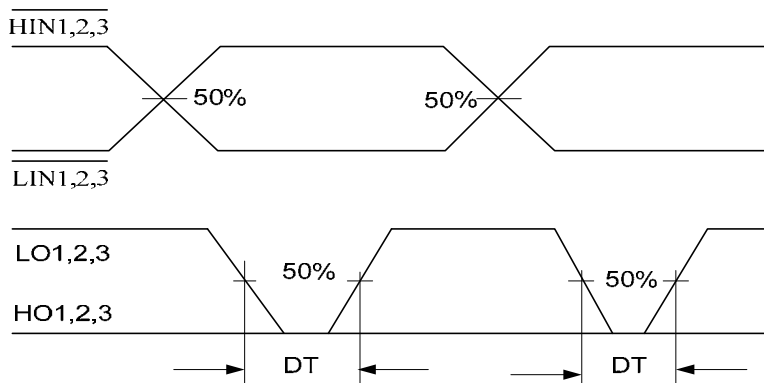


Fig. 2. Deadtime Waveform Definitions

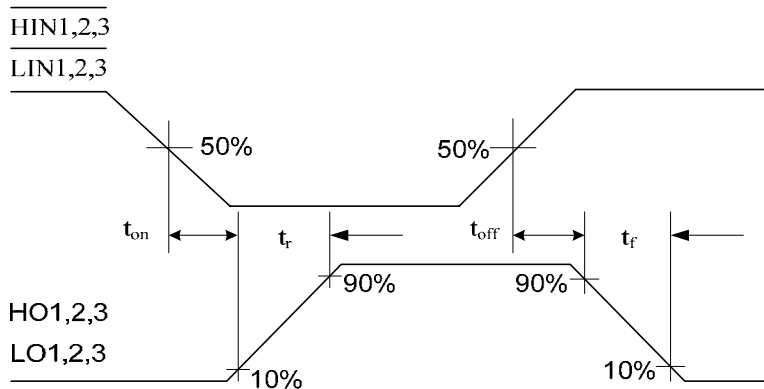


Fig. 3. Input/Output Switching Time Waveform Definitions

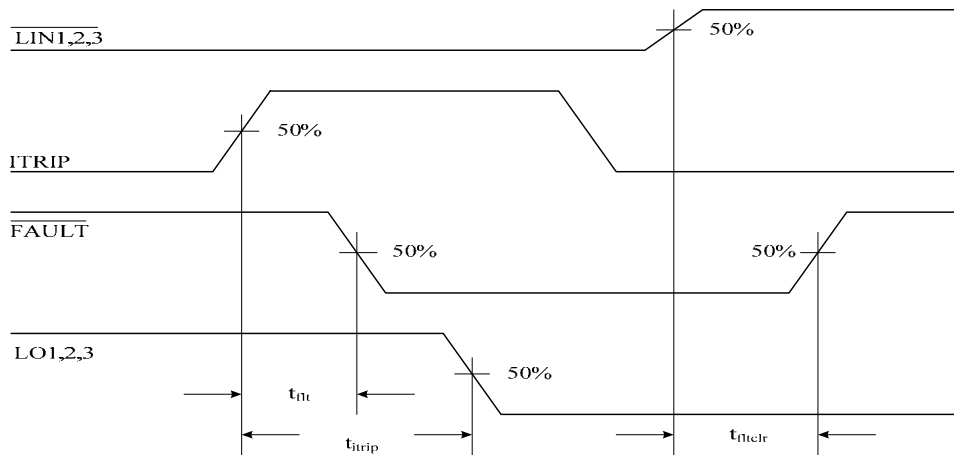


Fig. 4. Overcurrent Shutdown Switching Time Waveform Definitions

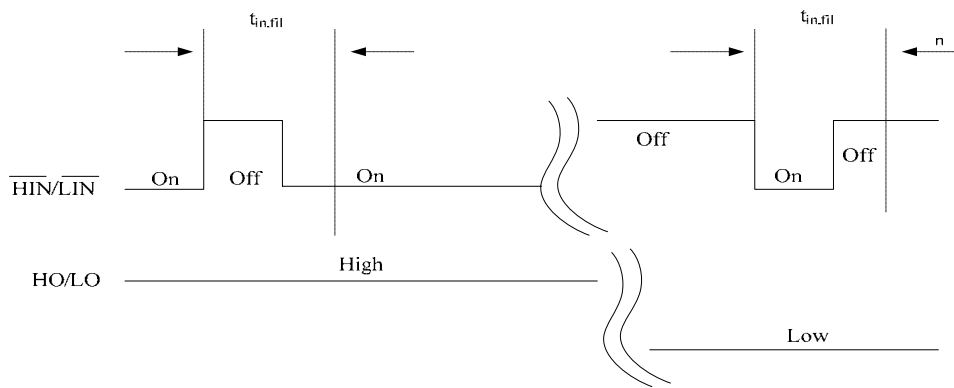


Fig. 5. Input Filter Function

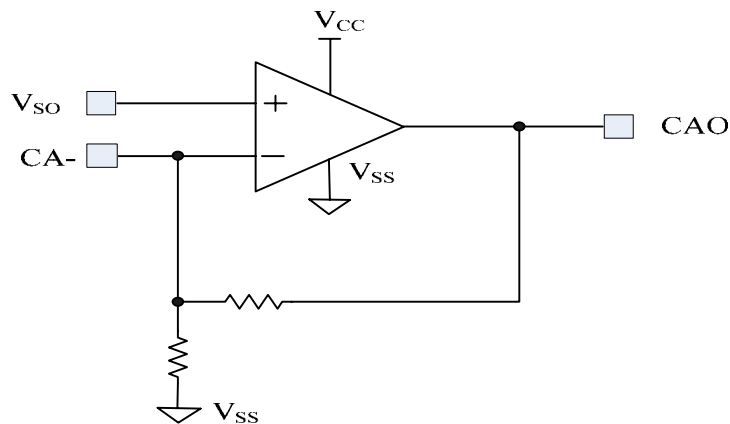
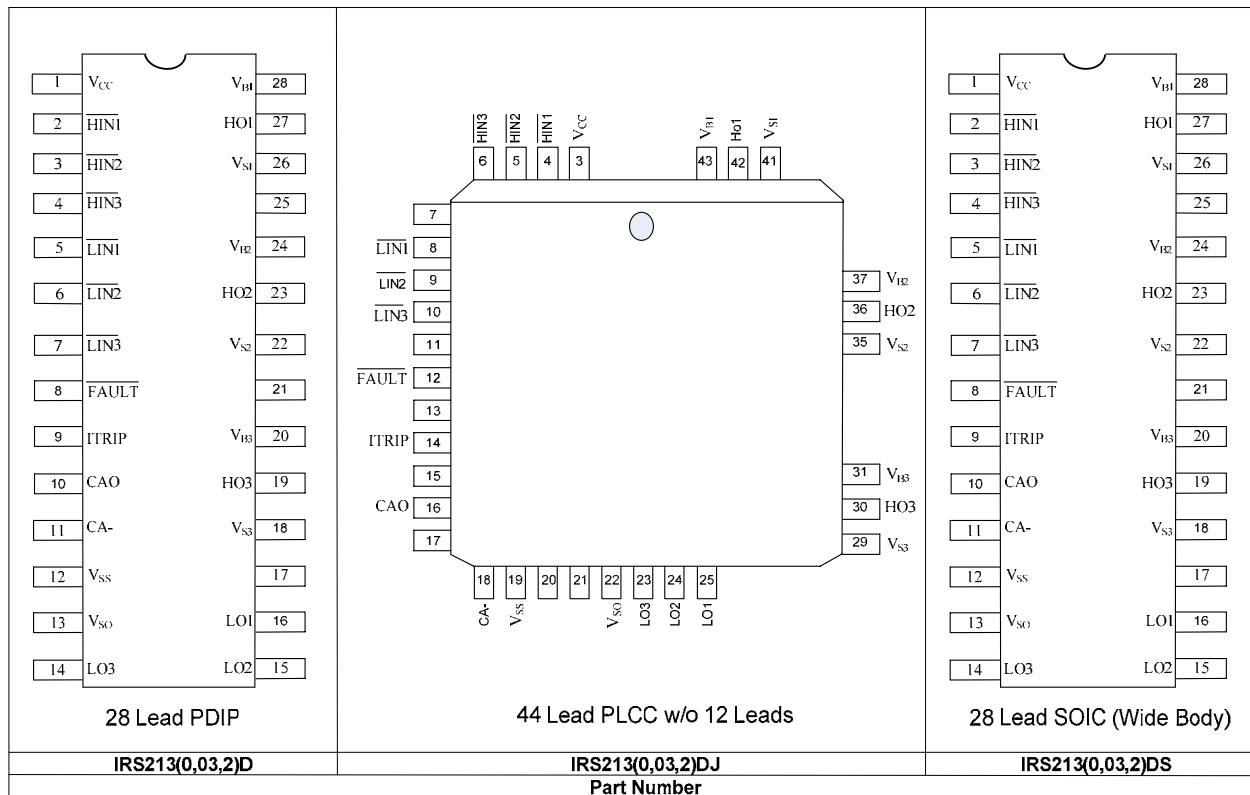


Fig. 6. Diagnostic Feedback Operational Amplifier Circuit

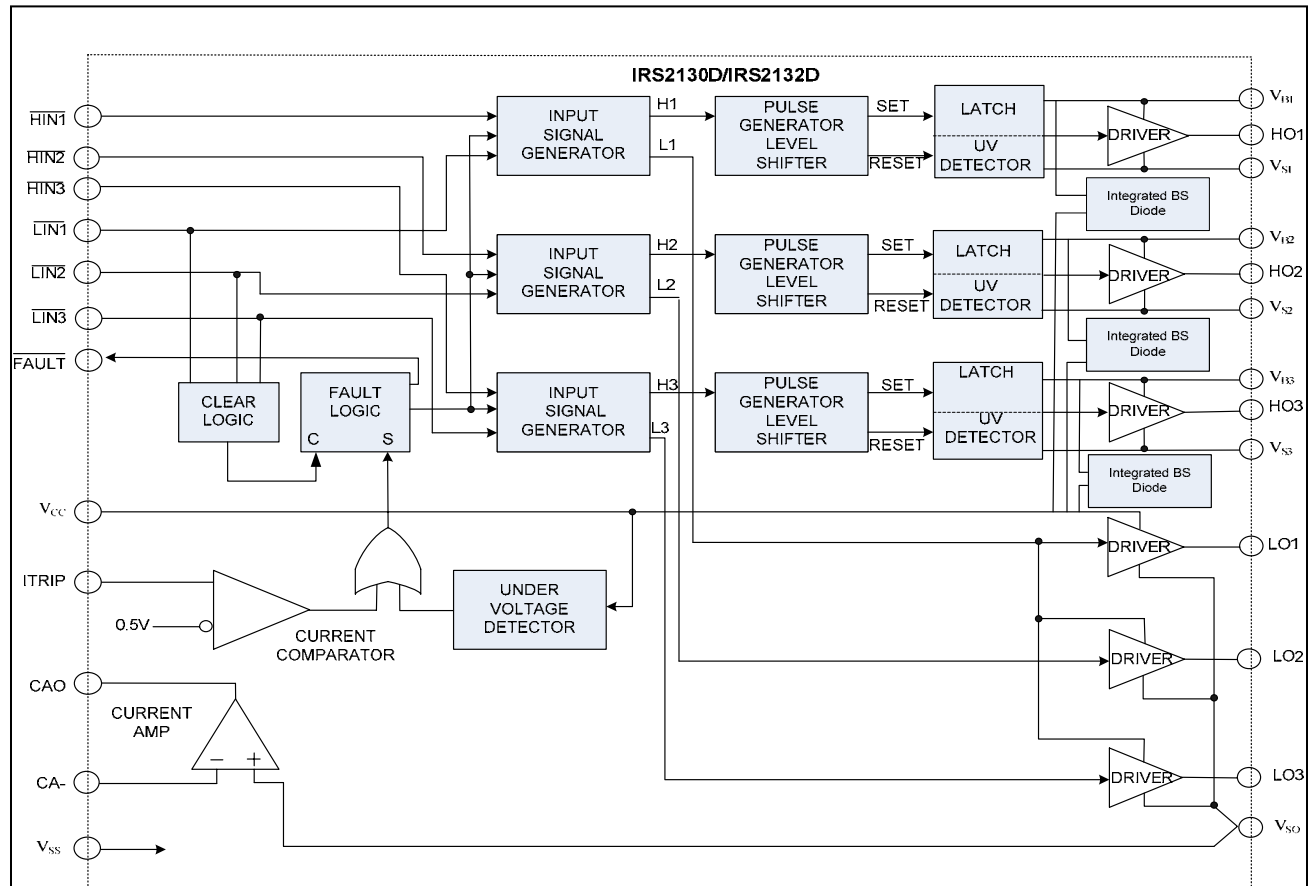
Lead Definitions

Symbol	Description
HIN1,2,3	Logic input for high side gate driver outputs (HO1,2,3), out of phase
LIN1,2,3	Logic input for low side gate driver output (LO1,2,3), out of phase
FAULT	Indicates over-current or undervoltage lockout (low side) has occurred, negative logic
V _{CC}	Low side and logic fixed supply
ITRIP	Input for over-current shutdown
CAO	Output of current amplifier
CA-	Negative input of current amplifier
V _{SS}	Logic ground
V _{B1,2,3}	High side floating supply
HO1,2,3	High side gate drive output
V _{S1,2,3}	High side floating supply return
LO1,2,3	Low side gate drive output
V _{SO}	Low side return and positive input of current amplifier

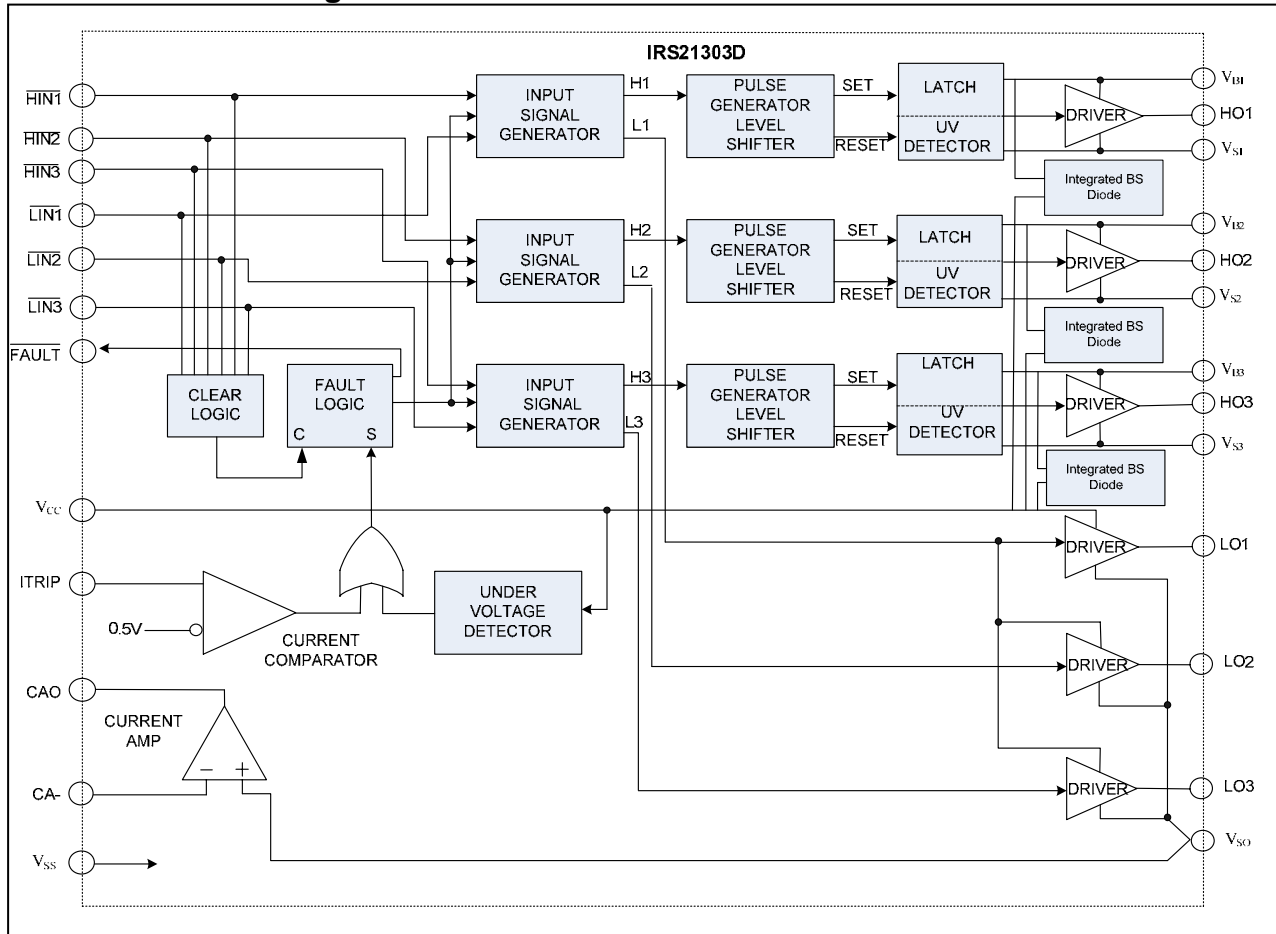
Lead Assignments



Functional Block Diagram



Functional Block Diagram



1 Features Description

1.1 Integrated Bootstrap Functionality

The IRS213(0,03,2)D family embeds an integrated bootstrap FET that allows an alternative drive of the bootstrap supply for a wide range of applications.

There is one bootstrap FET for each channel and it is connected between each of the floating supply (V_{B1} , V_{B2} , V_{B3}) and V_{CC} (see Fig. 7).

The bootstrap FET of each channel follows the state of the respective low side output stage (i.e., bootFet is ON when LO is high, it is OFF when LO is low), unless the V_B voltage is higher than approximately $1.1(V_{CC})$. In that case the bootstrap FET stays off until the V_B voltage returns below that threshold (see Fig. 8).

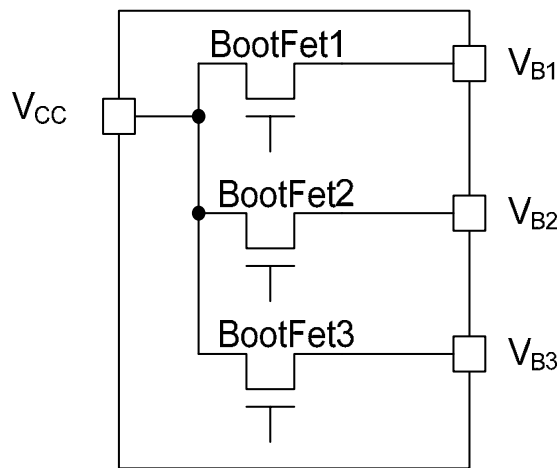


Fig. 7. Simplified BootFet Connection

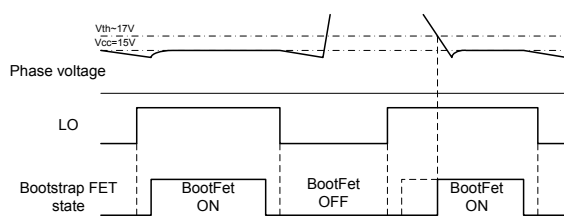


Fig. 8. State Diagram

Bootstrap FET is suitable for most PWM modulation schemes and can be used either in parallel with the external bootstrap network (diode + resistor) or as a replacement of it. The use of the integrated bootstrap as a replacement of the external bootstrap network may have some limitations in the following situations:

- when used in non-complementary PWM schemes (typically 6-step modulations)

- at a very high PWM duty cycle due to the bootstrap FET equivalent resistance (R_{BS} , see page 4).

In these cases, better performances can be achieved by using the IRS213(0,03,2) non D version with an external bootstrap network.

2 PCB Layout Tips

2.1 Distance from H to L Voltage

The IRS213(0,03,2)J package lacks some pins (see page 8) in order to maximizing the distance between the high voltage and low voltage pins. It's strongly recommended to place the components tied to the floating voltage in the respective high voltage portions of the device ($V_{B1,2,3}$, $V_{S1,2,3}$) side.

2.2 Ground Plane

To minimize noise coupling ground plane must not be placed under or near the high voltage floating side.

2.3 Gate Drive Loops

Current loops behave like an antenna able to receive and transmit EM noise (see Fig. 9). In order to reduce EM coupling and improve the power switch turn on/off performances, gate drive loops must be reduced as much as possible. Moreover, current can be injected inside the gate drive loop via the IGBT collector-to-gate parasitic capacitance. The parasitic auto-inductance of the gate loop contributes to develop a voltage across the gate-emitter increasing the possibility of self turn-on effect.

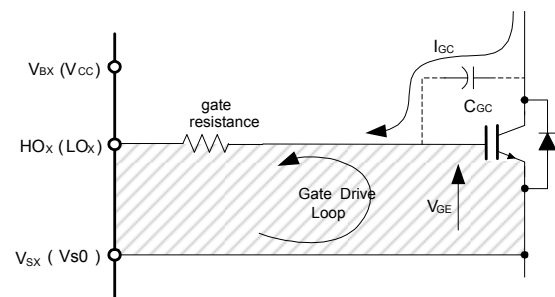


Fig. 9. Antenna Loops

2.4 Supply Capacitors

Supply capacitors must be placed as close as possible to the device pins (V_{CC} and V_{SS} for the ground tied supply, V_B and V_S for the floating supply) in order to minimize parasitic inductance/resistance.

2.5 Routing and Placement

Power stage PCB parasitic may generate dangerous voltage transients for the gate driver and the control logic. In particular it's recommended to limit phase voltage negative transients.

In order to avoid such undervoltage it is highly recommended to minimize high side emitter to low side collector distance and low side emitter to negative bus rail stray inductance. See DT04-4 at www.irf.com for more detailed information.

Figures 10-40 provide information on the experimental performance of the IRS2132DS HVIC. The line plotted in each figure is generated from actual lab data. A large number of individual samples from multiple wafer lots were tested at three temperatures (-40 °C, 25 °C, and 125 °C) in order to generate the experimental (Exp.) curve. The line labeled Exp. consist of three data points (one data point at each of the tested temperatures) that have been connected together to illustrate the understood trend. The individual data points on the curve were determined by calculating the averaged experimental value of the parameter (for a given temperature).

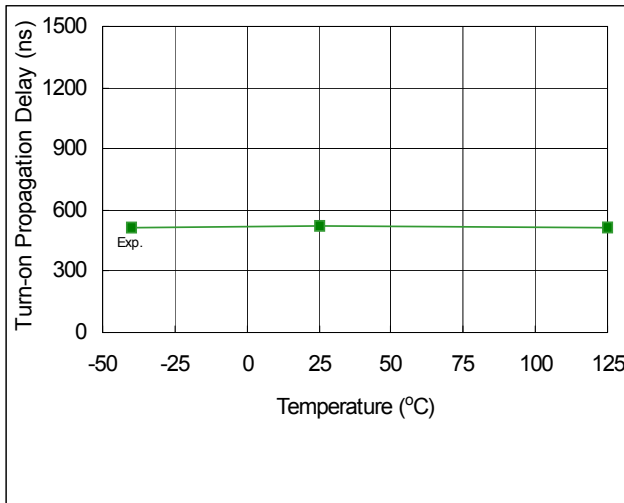


Fig. 10. Turn-On Propagation Delay vs. Temperature

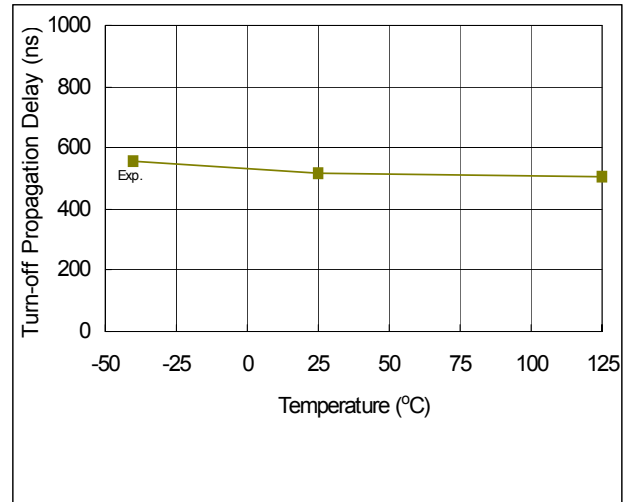


Fig. 11. Turn-Off Propagation Delay vs. Temperature

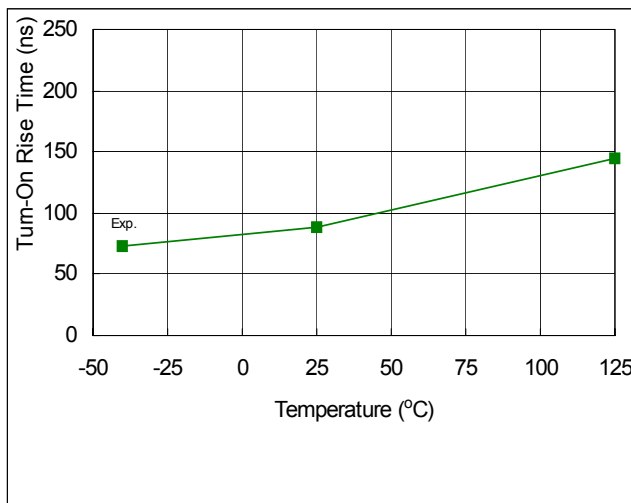


Fig. 12. Turn-On Rise Time vs. Temperature

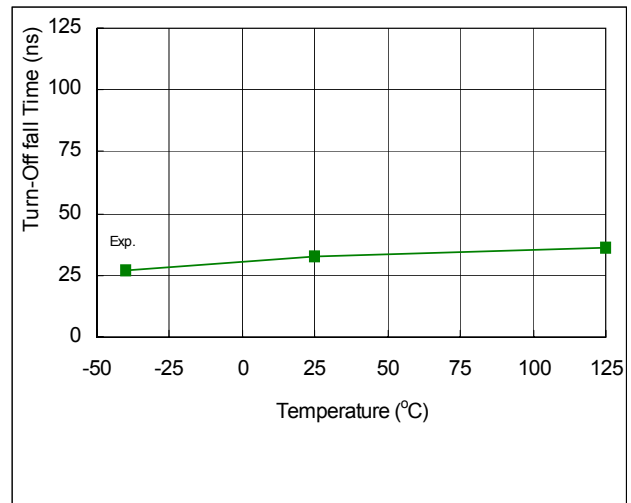


Fig. 13. Turn-Off Fall Time vs. Temperature

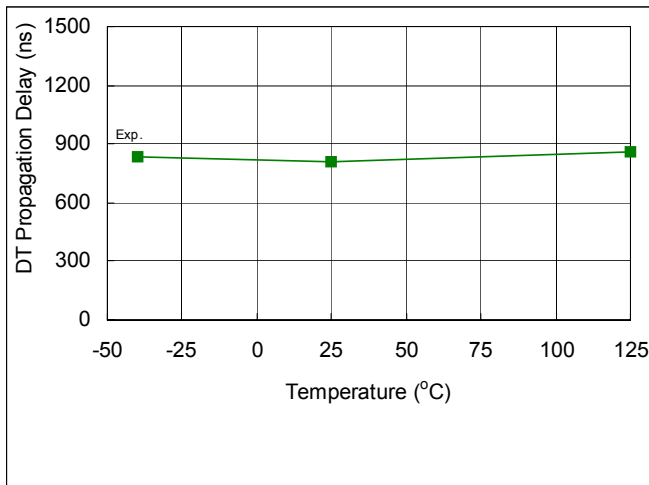


Fig. 14. DT Propagation Delay vs. Temperature

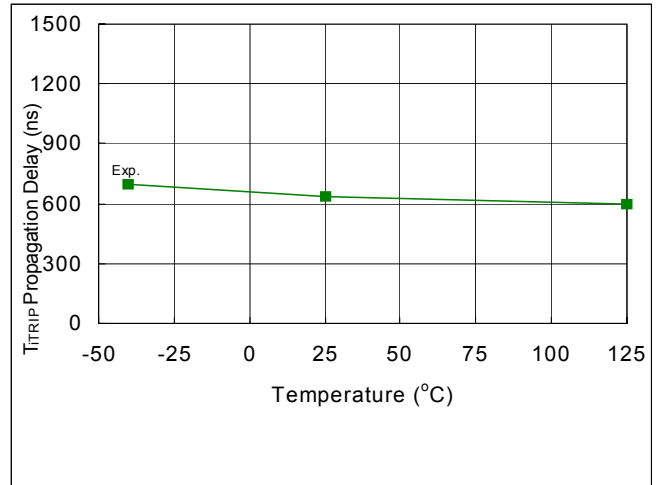


Fig. 15. TITRIP Propagation Delay vs. Temperature

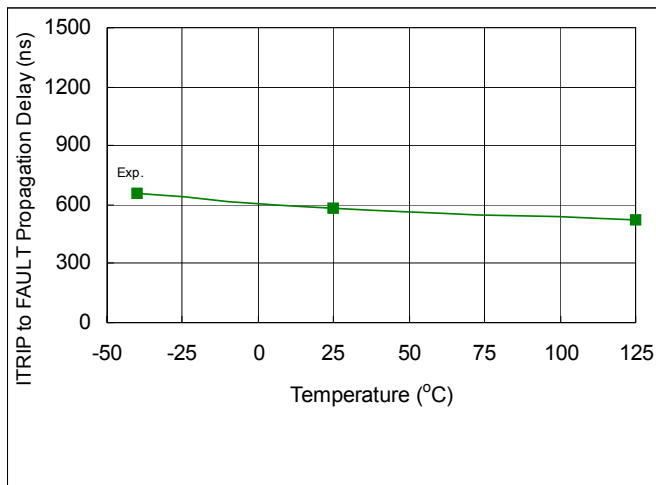


Fig. 16. ITRIP to $\overline{\text{FAULT}}$ Propagation Delay vs. Temperature

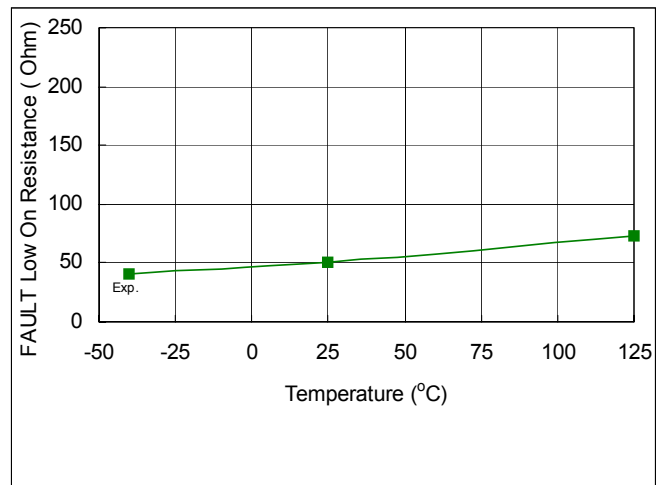


Fig. 17. $\overline{\text{FAULT}}$ Low On Resistance vs. Temperature

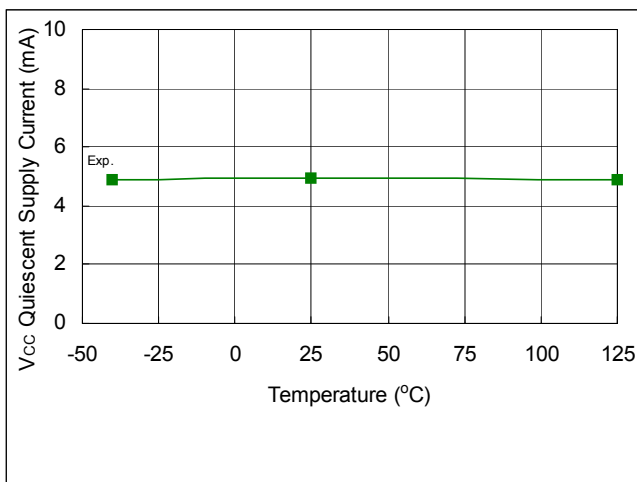


Fig. 18. VCC Quiescent Current vs. Temperature

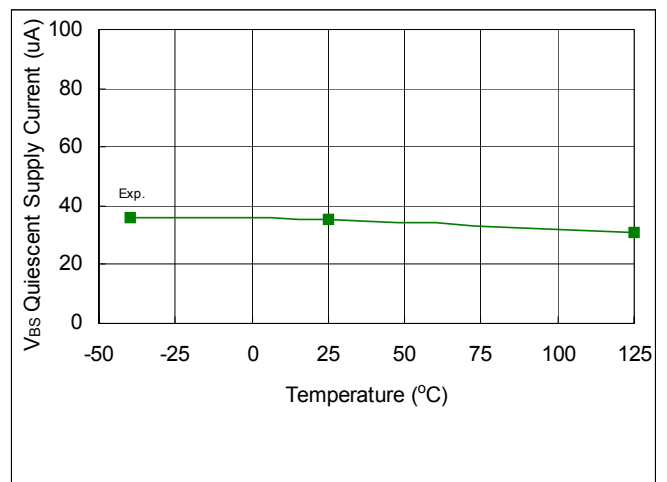


Fig. 19. VBS Quiescent Current vs. Temperature

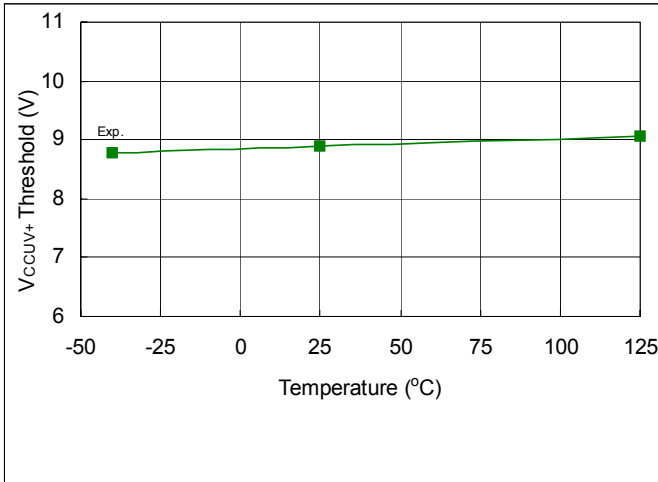


Fig. 20. V_{CCUV+} Threshold vs. Temperature

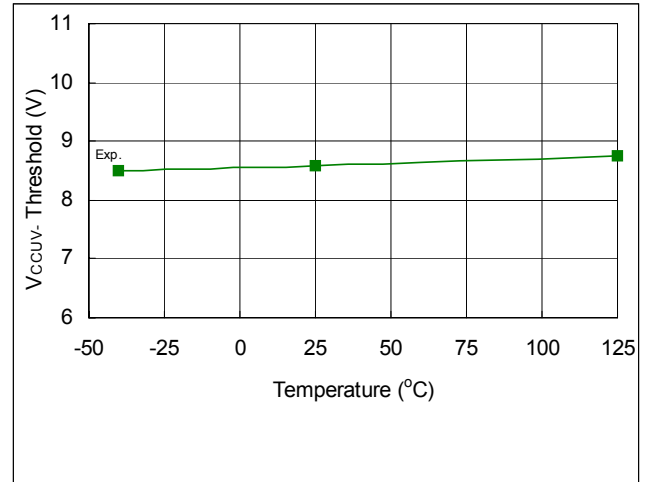


Fig. 21. V_{CCUV-} Threshold vs. Temperature

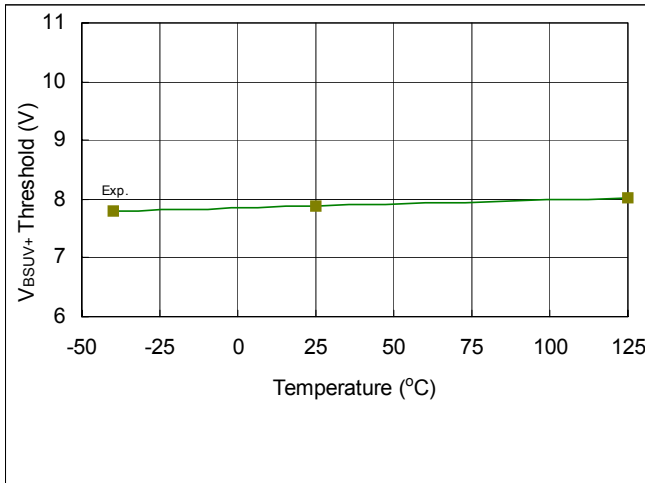


Fig. 22. V_{BSUV+} Threshold vs. Temperature

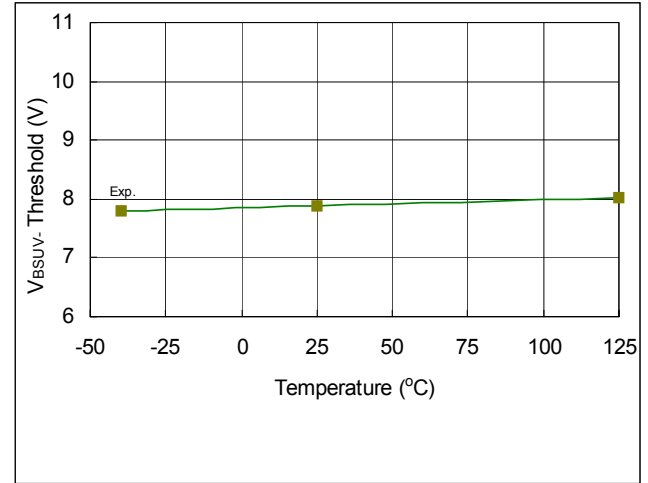


Fig. 23. V_{BSUV-} Threshold vs. Temperature

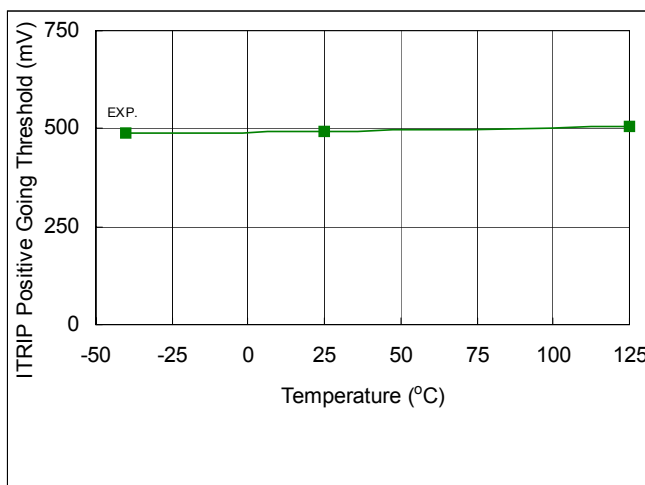


Fig. 24. ITRIP Positive Going Threshold vs. Temperature

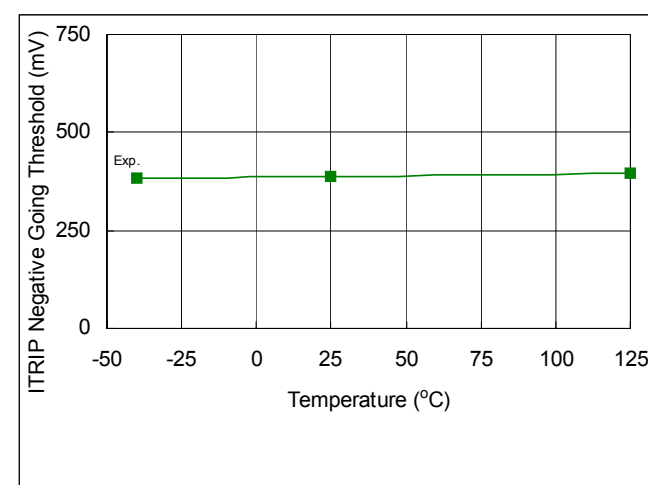


Fig. 25. ITRIP Negative Going Threshold vs. Temperature

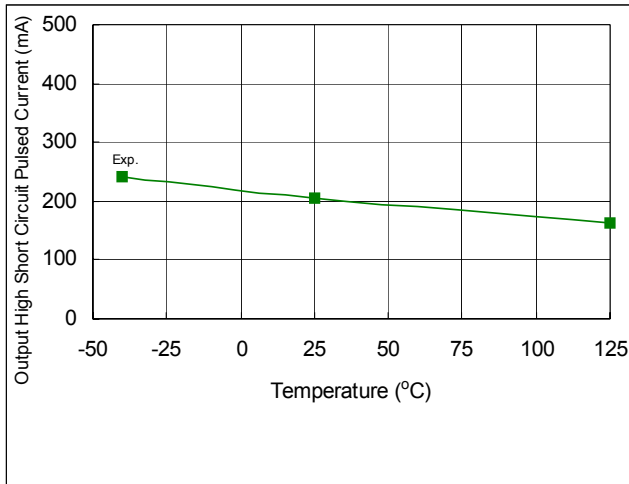


Fig. 26. Output High Short Circuit Pulsed Current vs. Temperature

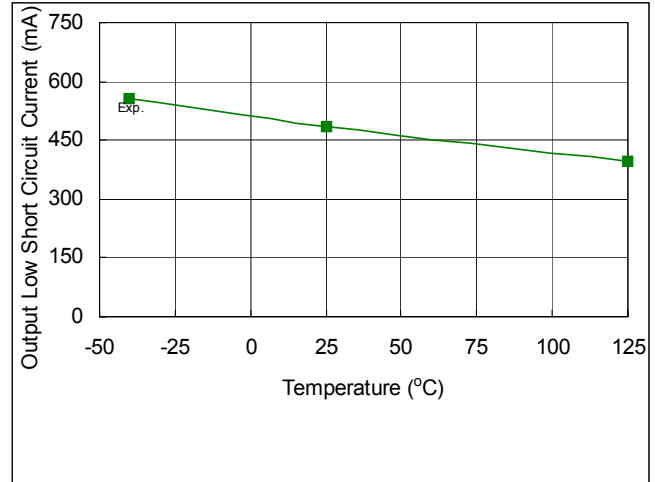


Fig. 27. Output Low Short Circuit Current vs. Temperature

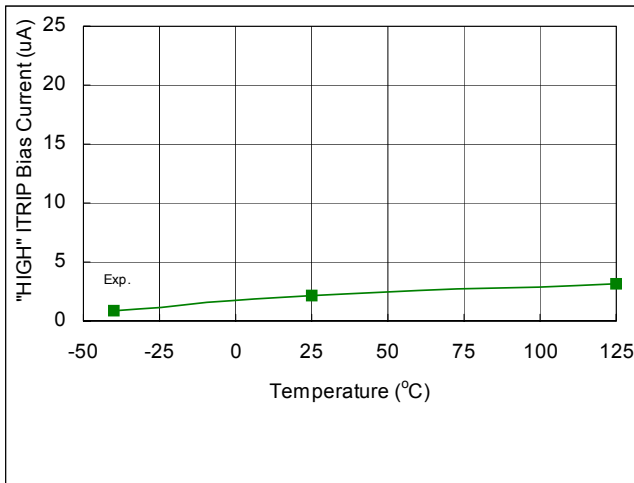


Fig. 28. "High" ITRIP Bias Current vs. Temperature

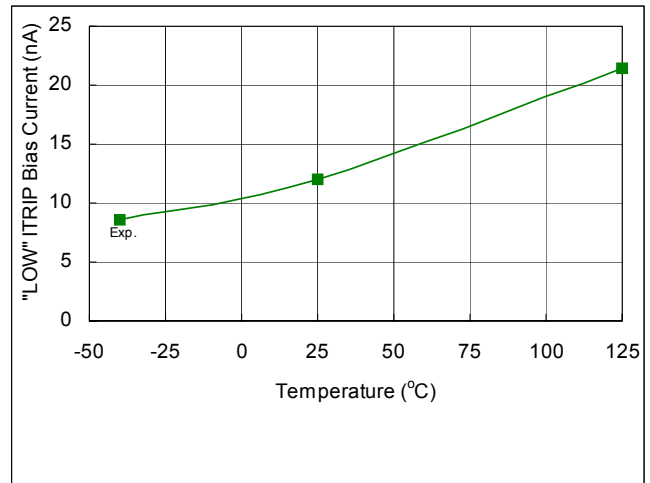


Fig. 29. "Low" ITRIP Bias Current vs. Temperature

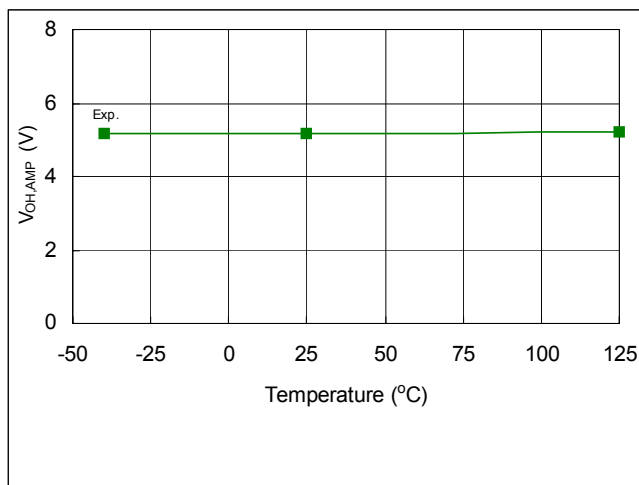


Fig. 30. V_{OH,AMP} vs. Temperature

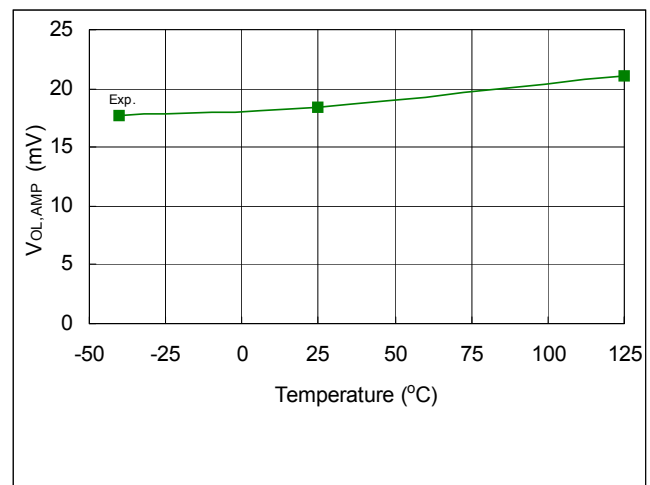


Fig. 31. V_{OL,AMP} vs. Temperature

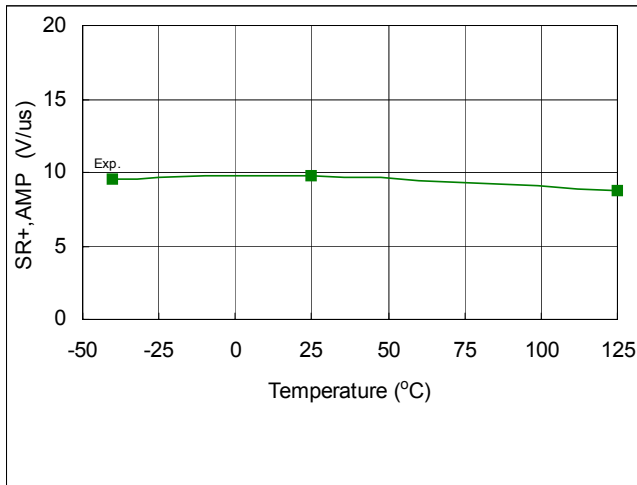


Fig. 32. SR+,AMP vs. Temperature

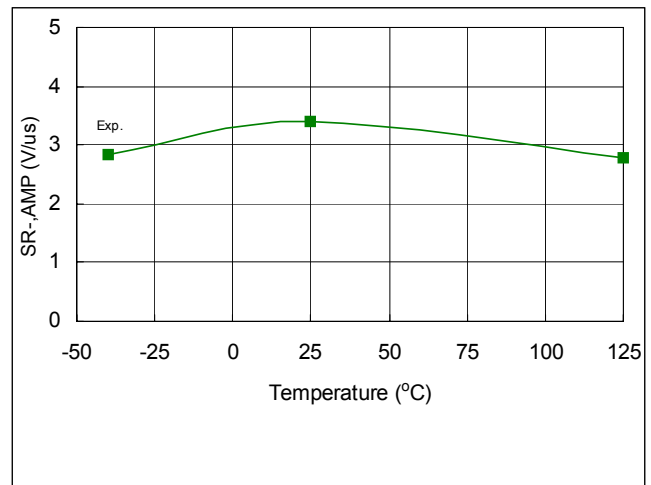


Fig. 33. SR-,AMP vs. Temperature

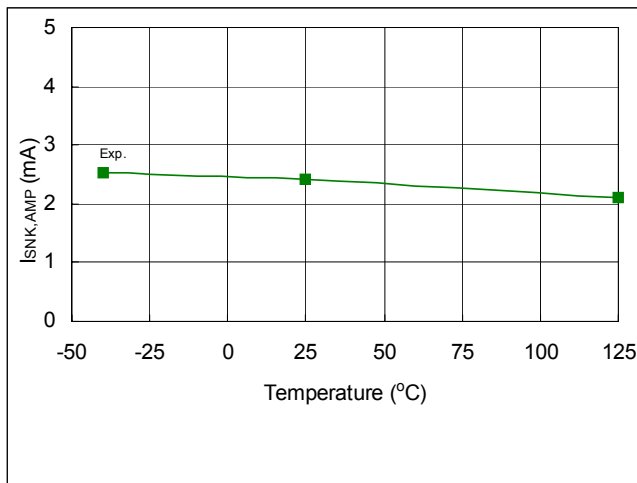


Fig. 34. ISNK,AMP vs. Temperature

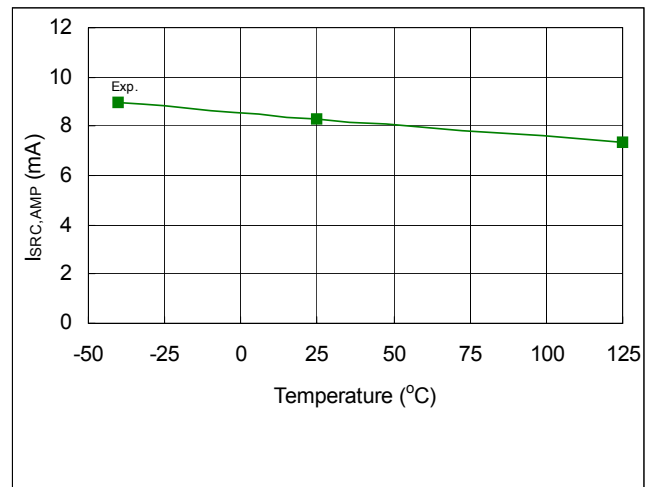


Fig. 35. ISRC,AMP vs. Temperature

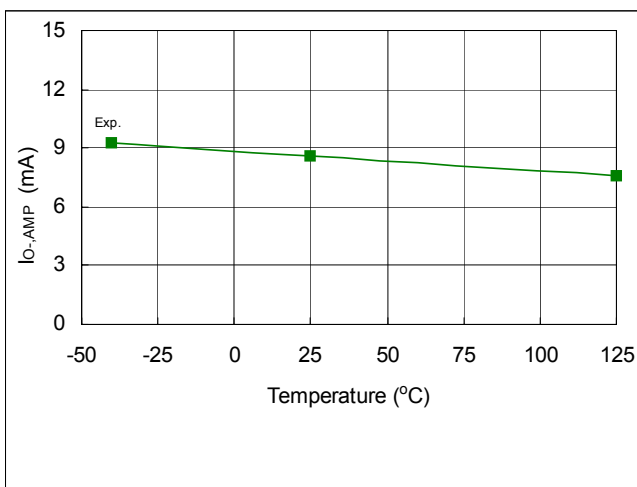


Fig. 36. IO-,AMP vs. Temperature

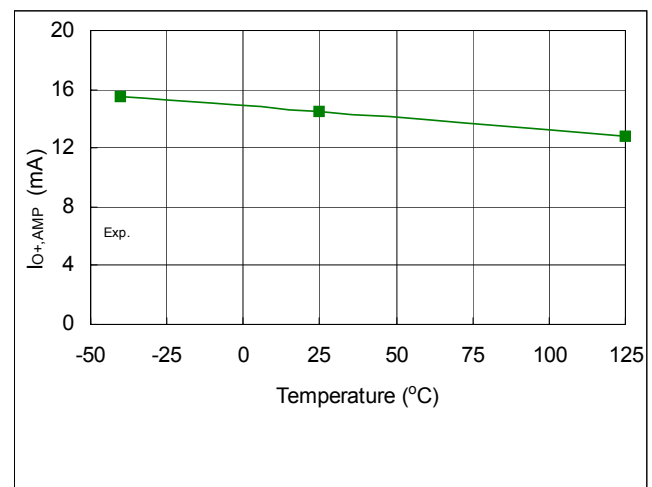


Fig. 37. IO+,AMP vs. Temperature

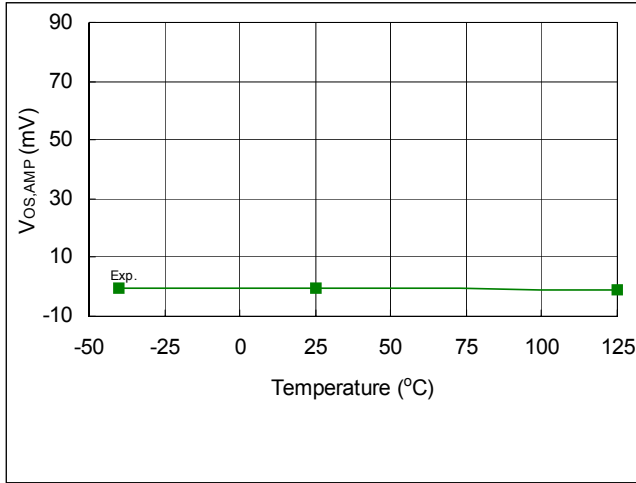


Fig. 38. V_{OS,AMP} vs. Temperature

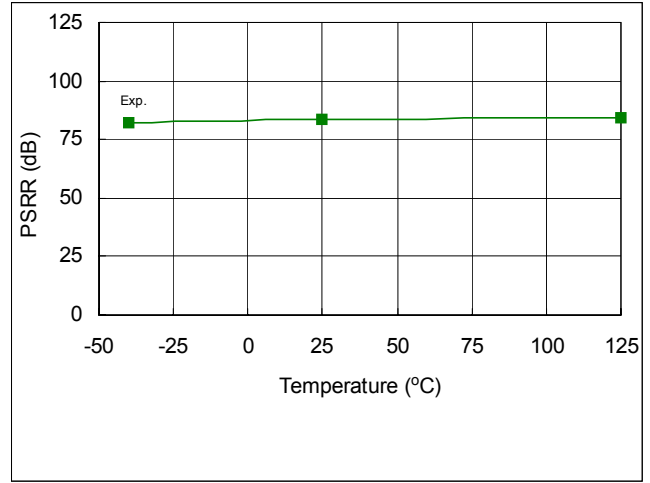


Fig. 39. PSRR vs. Temperature

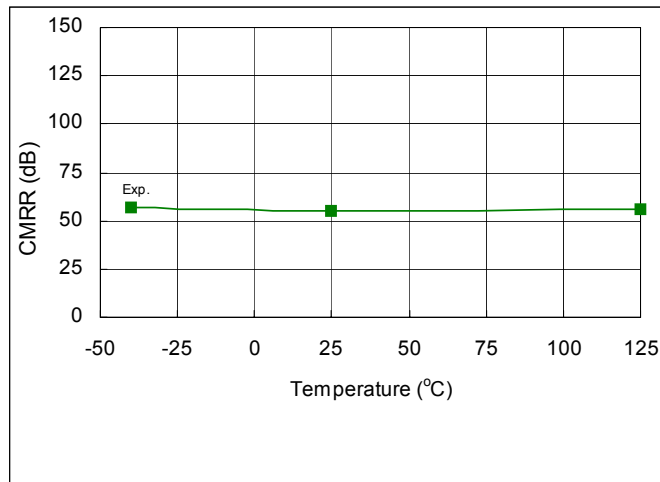
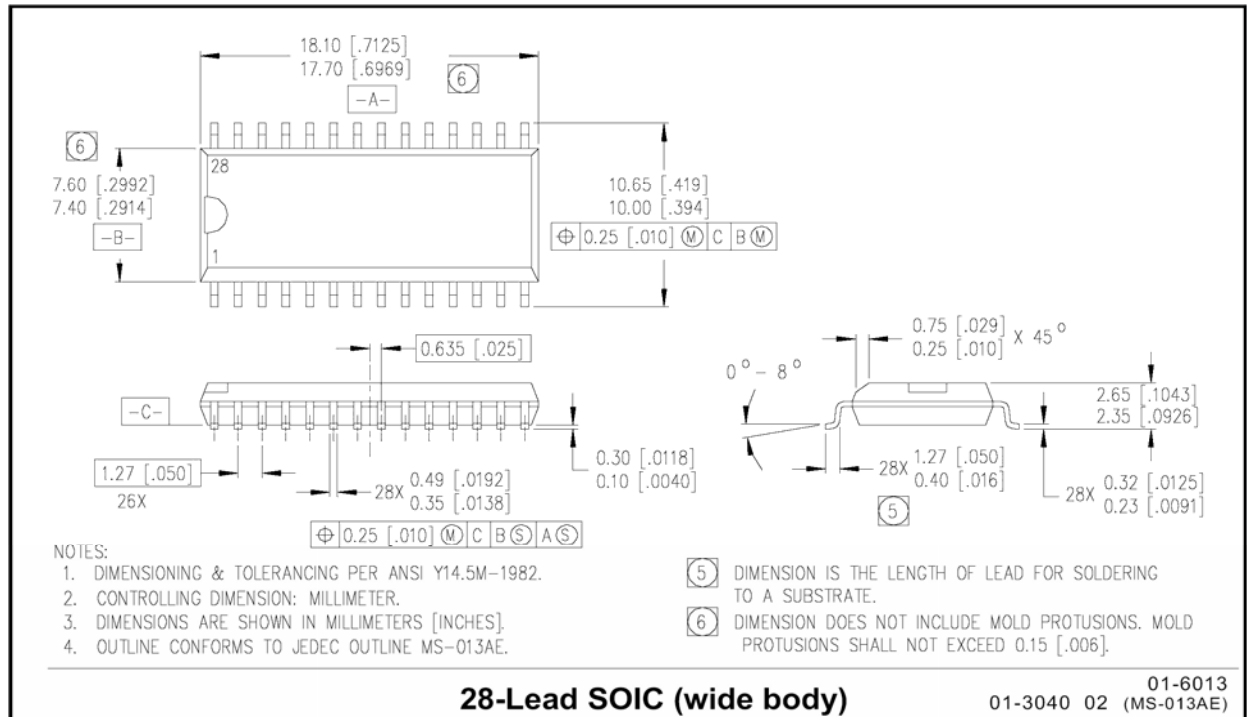
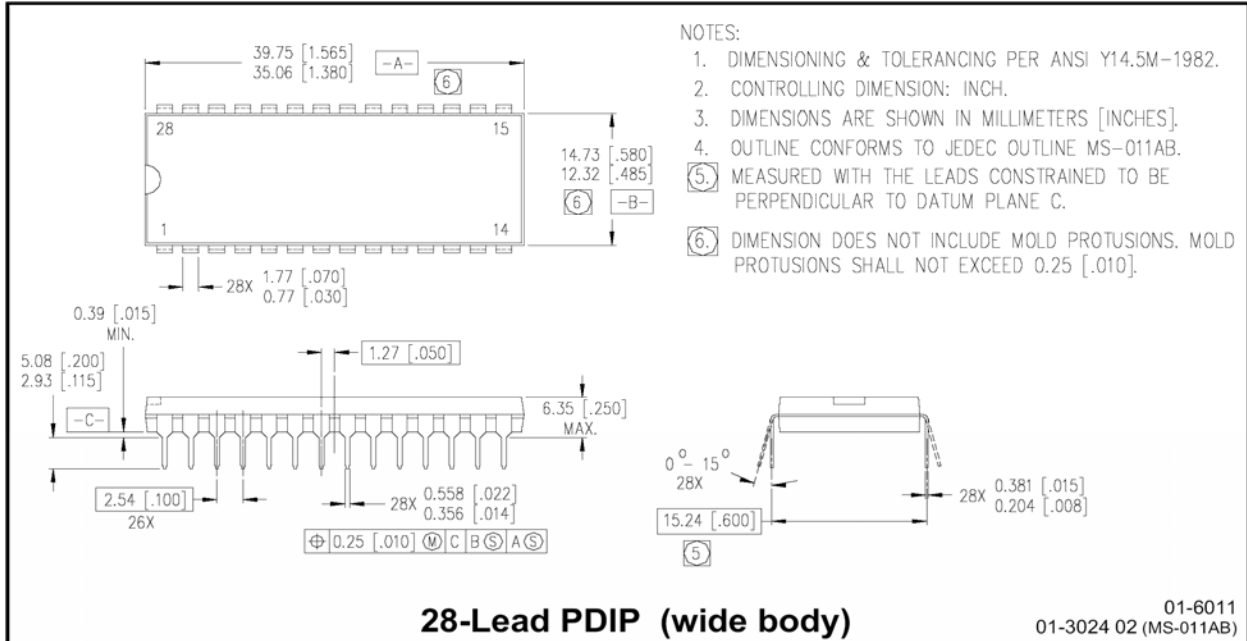
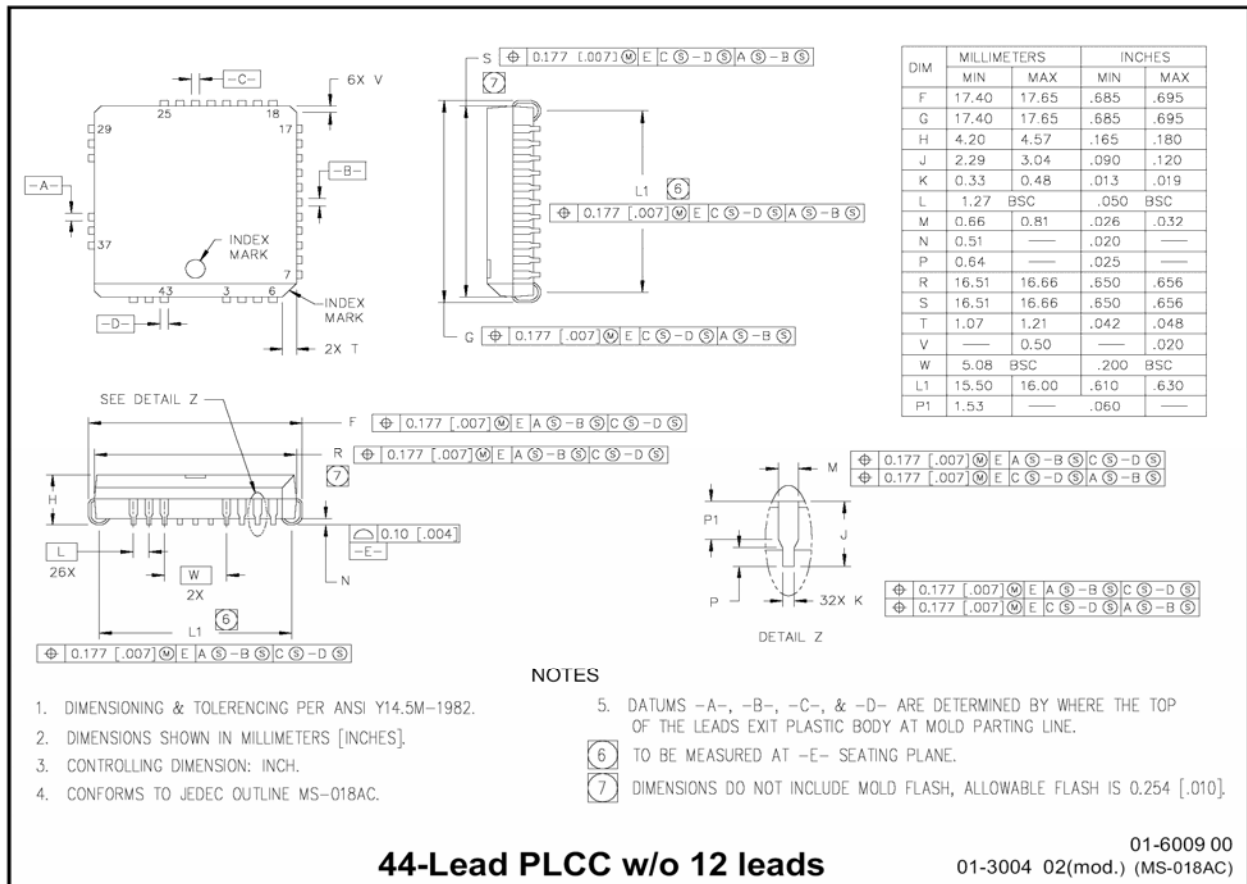


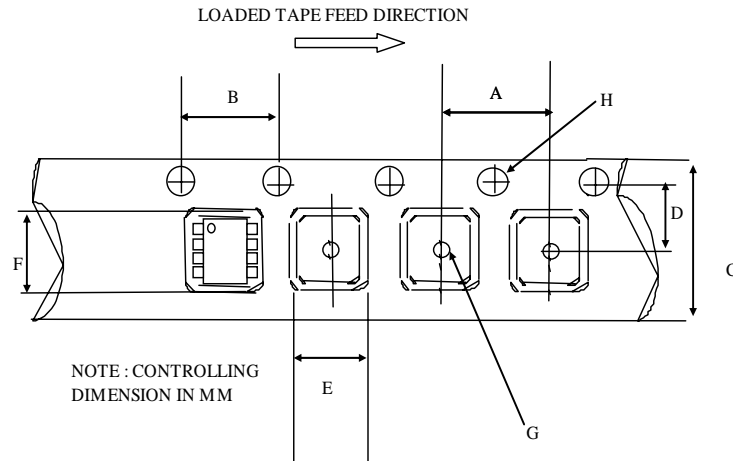
Fig. 40. CMRR vs. Temperature

Case Outlines



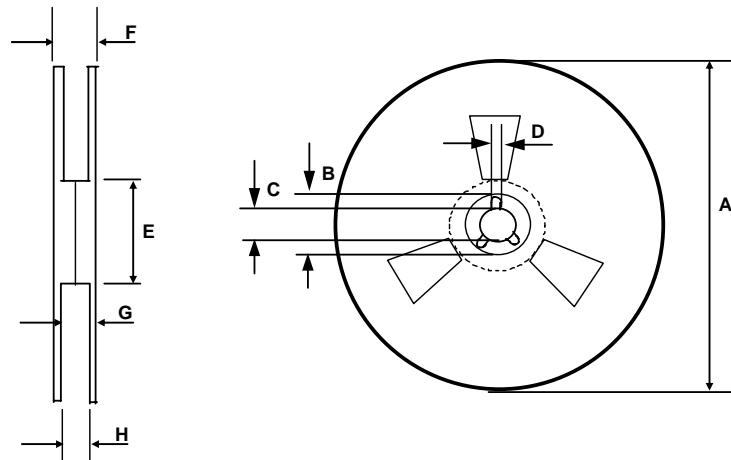
Case Outlines





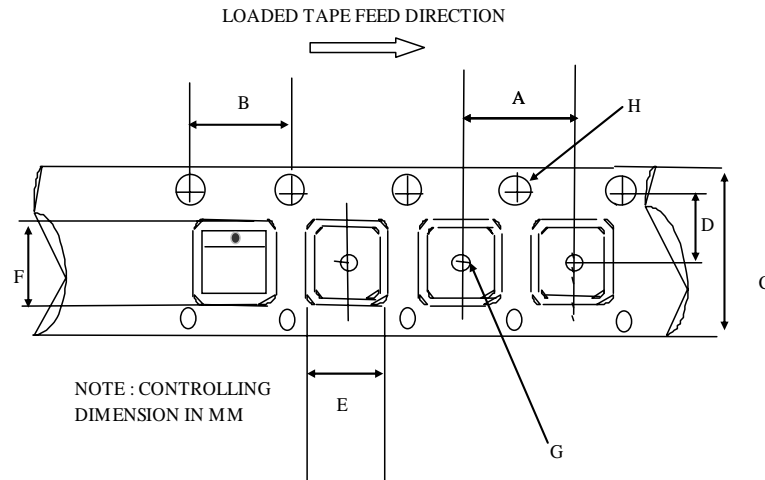
CARRIER TAPE DIMENSION FOR 28SOICW

Code	Metric		Imperial	
	Min	Max	Min	Max
A	11.90	12.10	0.468	0.476
B	3.90	4.10	0.153	0.161
C	23.70	24.30	0.933	0.956
D	11.40	11.60	0.448	0.456
E	10.80	11.00	0.425	0.433
F	18.20	18.40	0.716	0.724
G	1.50	n/a	0.059	n/a
H	1.50	1.60	0.059	0.062



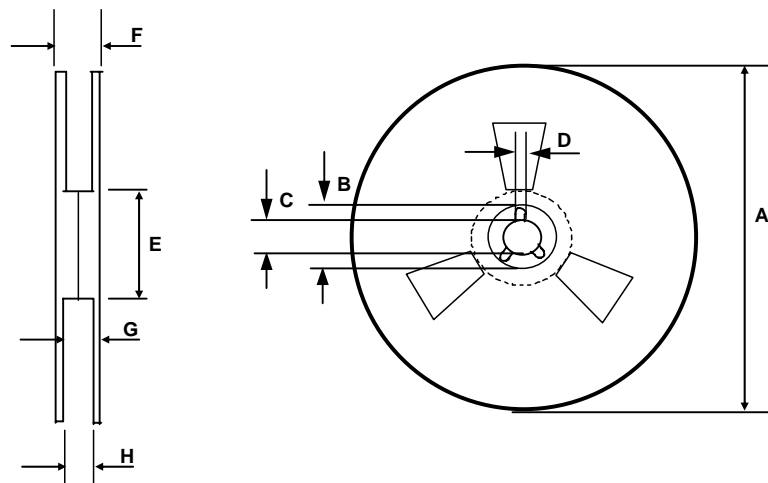
REEL DIMENSIONS FOR 28SOICW

Code	Metric		Imperial	
	Min	Max	Min	Max
A	329.60	330.25	12.976	13.001
B	20.95	21.45	0.824	0.844
C	12.80	13.20	0.503	0.519
D	1.95	2.45	0.767	0.096
E	98.00	102.00	3.858	4.015
F	n/a	30.40	n/a	1.196
G	26.50	29.10	1.04	1.145
H	24.40	26.40	0.96	1.039



CARRIER TAPE DIMENSION FOR 44PLCC

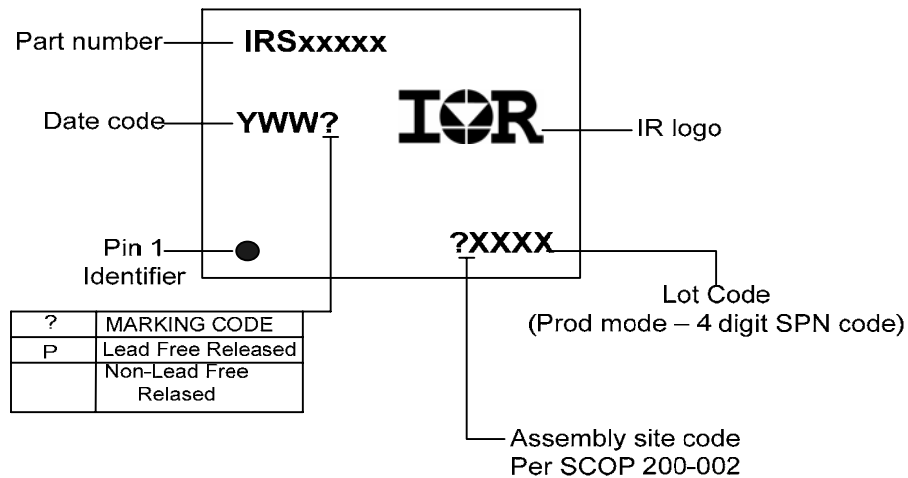
Code	Metric		Imperial	
	Min	Max	Min	Max
A	23.90	24.10	0.94	0.948
B	3.90	4.10	0.153	0.161
C	31.70	32.30	1.248	1.271
D	14.10	14.30	0.555	0.562
E	17.90	18.10	0.704	0.712
F	17.90	18.10	0.704	0.712
G	2.00	n/a	0.078	n/a
H	1.50	1.60	0.059	0.062



REEL DIMENSIONS FOR 44PLCC

Code	Metric		Imperial	
	Min	Max	Min	Max
A	329.60	330.25	12.976	13.001
B	20.95	21.45	0.824	0.844
C	12.80	13.20	0.503	0.519
D	1.95	2.45	0.767	0.096
E	98.00	102.00	3.858	4.015
F	n/a	38.4	n/a	1.511
G	34.7	35.8	1.366	1.409
H	32.6	33.1	1.283	1.303

LEAD-FREE PART MARKING INFORMATION



ORDER INFORMATION

- 28-Lead PDIP IRS2130DPbF
- 28-Lead PDIP IRS21303DPbF
- 28-Lead PDIP IRS2132DPbF
- 28-Lead SOIC IRS2130DSPbF
- 28-Lead SOIC IRS21303DSPbF
- 28-Lead SOIC IRS2132DSPbF
- 44-Lead PLCC IRS2132DJPbF
- 44-Lead PLCC IRS21303DJPbF
- 44-Lead PLCC IRS2132DJPbF

- 28-Lead SOIC Tape & Reel IRS2130DSTRPbF
- 28-Lead SOIC Tape & Reel IRS21303DSTRPbF
- 28-Lead SOIC Tape & Reel IRS2132DSTRPbF
- 44-Lead PLCC Tape & Reel IRS2130DJTRPbF
- 44-Lead PLCC Tape & Reel IRS21303DJTRPbF
- 44-Lead PLCC Tape & Reel IRS2132DJTRPbF