



HIGH EFFICIENCY TEC CONTROLLER

Main features: high efficiency, high precision, high reliability, zero EMI, and surface mount.

Specifications

Target* temp. stability v.s. ambient temp.:	0.002°C/°C
Target temp. offset:	±0.01°C
Target temp. response time:	to ≤0.1°C in less than 5 seconds at 1°C step
Efficiency:	≥90%
Max. output current:	2.5A
Max. output voltage:	externally adjustable from 0V to Vps – 0.2V
Power supply voltage:	3.1V to 3.5V or 4.75V to 5.25V (specify 3.3V or 5V when ordering)
Set-point temp.** control voltage:	0 to Vps
Packaging:	surface mount or through hole
Shielding:	complete metal shielding on all 6 sides
Default set-point temp. range***:	15°C to 37°C @ Vps = 3.3V 15°C to 50°C @ Vps = 5V
Operating ambient temp. range:	-25°C to 85°C

* Target temperature refers to the actual cold side temperature of the TEC, on where the target is mounted.

** Set-point temperature is the temperature desired to have on the target.

*** Can be customized to any range by requirement.

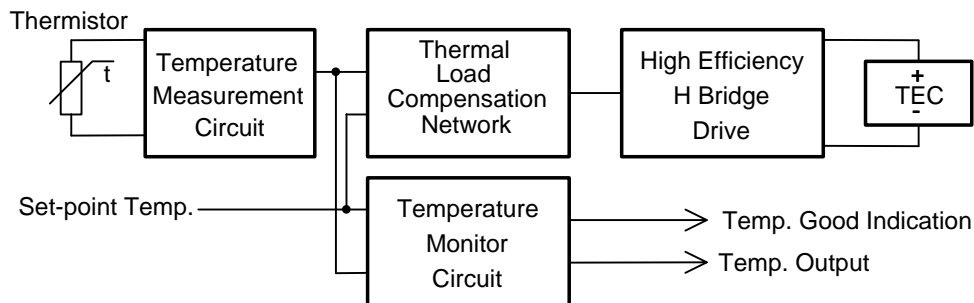


Figure 1 TEC Controller Block Diagram

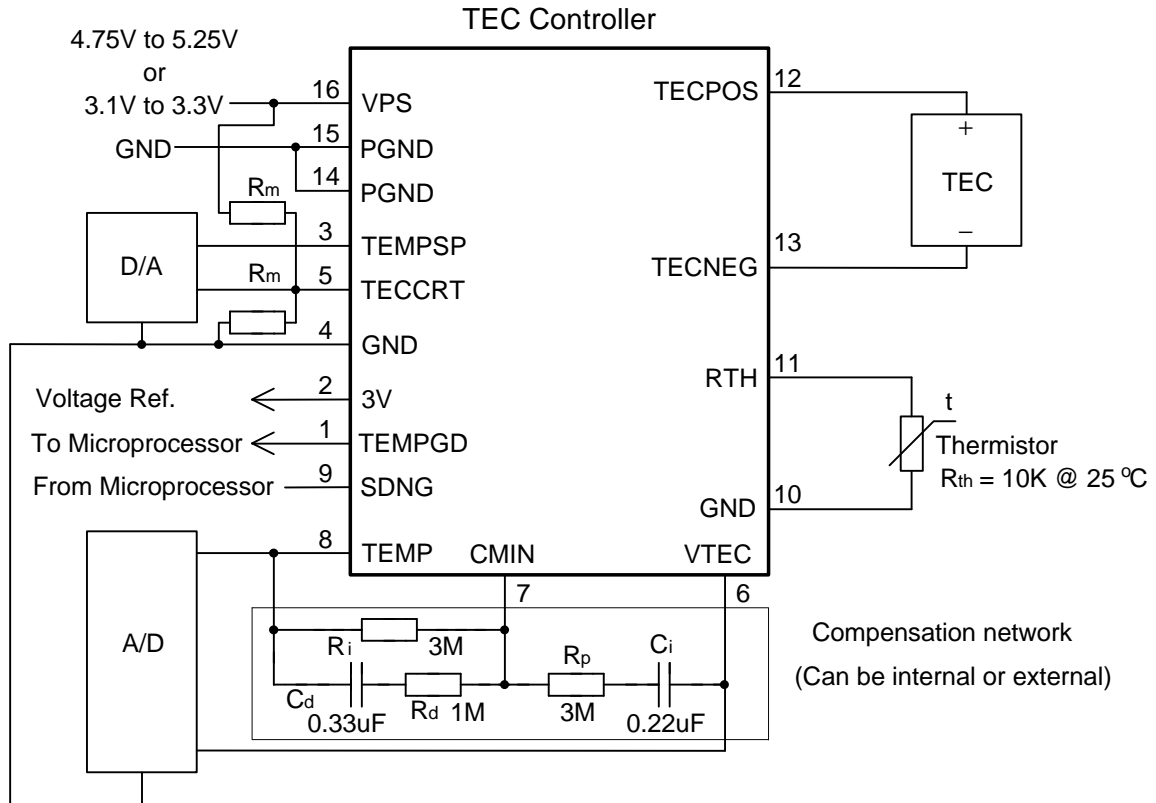


Figure 2 TEC Controller Connections

Pin Descriptions

Pin 1, TEMPGD, Temperature good indication. It is pulled high when the set-point temperature and the actual target temperature are less than 0.1°C in difference. The internal pull up resistor to Vps is 10K Ohm. The pull down resistance is 250 Ohm @ Vps = 5V and 330 Ohm @ Vps = 3.3V.

Pin 2, 3V, reference voltage output, 3V. It can be used for external A/D's and/or D/A's. Maximum output sourcing current 1.5mA and sinking current is 4mA. $\Delta V_o = 50\text{ppm}/^\circ\text{C}$ max.

Pin 3, TEMPSP, target temperature set-point value. The open circuit voltage is 1.5V, corresponding to a set-point temperature of 25°C. When Vps = 5V, it can be set from 0V to 5V and the set-point temperature changes from 15°C to 50°C (See the curve in the back). The input impedance is 10KΩ. When Vps = 3.3V, the max. TEMPSP can be set to 3.3V, corresponding to 37°C. This pin can be set by using a D/A, a POT, or a single resistor. When the set-point temp. is fixed at 25°C, leave this pin unconnected.

Pin 4, GND, signal ground for the A/D, D/A and the thermistor.

Pin 5, TECCRT, TEC control voltage input. It can be left unconnected or used to control the TEC voltage directly. Set TECCRT between 0V to Vps, the voltage across TEC will be:

TEC voltage = $V_{ps} - 2 * TECCRT$. It can also be used to configure the maximum voltage cross the TEC: Max. TEC voltage = $V_{ps} * R_m / (R_m + 10K)$, where Rm is the resistance of the two resistors one between TECCRT to GND and the other between TECCRT to Vps, see Figure 2.



Pin 6, VTEC, TEC voltage indication. TEC voltage = $[\text{max. TEC voltage}] * [V_{ps} - 2 * V_{TEC}] / V_{ps}$. When TECRT is used to control the TEC voltage directly, measure TECRT to derive the TEC voltage instead, and use this formula: TEC voltage = $V_{ps} - 2 * \text{TECRT}$. The maximum driving current of pin VTEC is 30mA and the output voltage swing is 0V to V_{ps} .

Pin 7, CMIN, compensation input pin for the thermal control loop. Leave it open in production. When prototyping, use this pin with a tuner on the evaluation board, TTV2.1 (produced by ATI) to tune the compensation network to match the characteristics of the thermal load.

Pin 8, TEMP, actual target temperature. It swings from 0V to V_{ps} , corresponds to 15°C to 37°C when V_{ps} is 3.3V and 15°C to 50°C when V_{ps} equals 5V, see the curve in the below.

Pin 9, SDNG, shut down control. When pulled low, it shuts down the controller. Leave it open or pull it high to activate the controller. This pin is internal pull up by a resistor of 100K to V_{ps} .

Pin 10, GND, signal ground, internally connected to Pin 4 GND. Can be used for connecting the thermistor.

Pin 11, RTH, connect to the thermistor for sensing the target temp. Thermistor's other end connects to the signal ground, pin 4 or pin 10. $R_{th} = 10K\Omega @ 25^\circ C$. Other thermistors or temperature sensors can also be used, Consult with us.

Pin 12, TECPOS, connects to TEC positive terminal.

Pin 13, TECNEG, connects to TEC negative terminal.

Pin 14, PGND, power ground for connecting to the power supply.

Pin 15, PGND, power ground for connecting to the power supply, internally connected with pin 14.

Pin 16, VPS, positive power supply rail. Two possible values: 3.3V and 5V, depending on the module.

Mounting the TEC controller on PCB's

The TEC controllers come in two types of packages: surface mount and through hole. **The surface mount package has to be soldered manually, not by reflow oven.** The through hole package can be mounted through a socket, soldered manually, or by wave soldering machine.

Customizations

It is often found that some of the default specifications do not meet our users particular need. We offer customizations on these specifications:

1. Maximum output voltage across TEC. When ordering, the part number will become: TEC-A1LD-5V-(max. TEC voltage)-D. E.g., TEC-A1LD-5V-2.5V-D.
2. Set-point temperature range. When ordering, specify the lower limit, the upper limit, and the open circuit temperature. The part number will become: TEC-A1LD-5V-2.5V-(lower temp. limit)/(upper temp. limit)/(open circuit temp.), where lower temp. limit is the temperature corresponding to **TEMPSP** = 0V; upper temp. limit is the corresponding to **TEMPSP** = 3V; open circuit temp. corresponding to **TEMPSP** = 1.5V or being left unconnected. E.g., TEC-A1LD-5V-2.5V-D (20/80/50).



- 3. Asymmetrical maximum TEC voltage. The maximum TEC voltage for heating and cooling are not the same. When ordering, the part number will become:
TEC-A1LD-5V-(max. TEC voltage for cooling/Max. TEC voltage for heating).
E.g., TEC-A1LD-3V-2.5V/1.5V-S.

More Applications

If you want to use this TEC controller for other applications not discussed here, such as use it with wave locker controllers, please consult with us. The same as to other customizations, such as setting the TEMPSP by using a voltage source swings above 3V and/or Vps.

Mechanical Dimensions

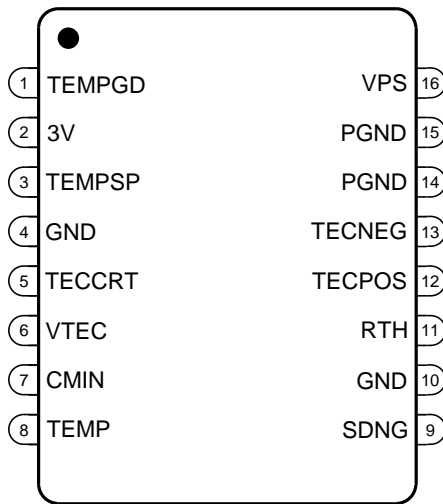


Figure 3 Top View of TEC-A1LD-S

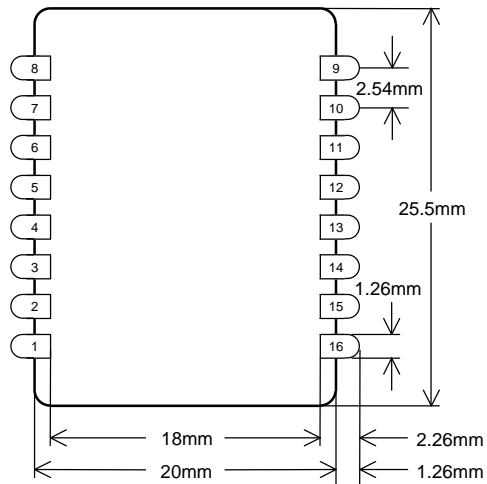


Figure 4 Bottom View of TEC-A1LD-S

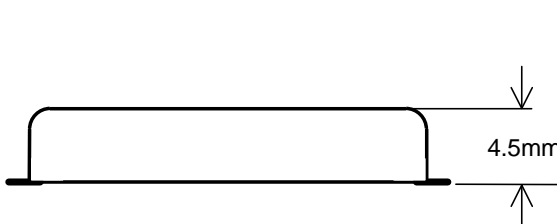


Figure 5 End View of TEC-A1LD-S

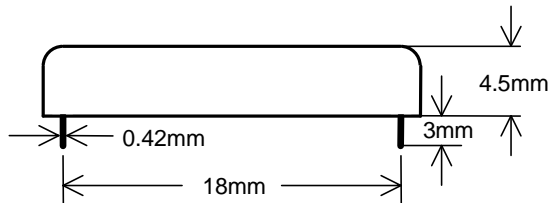


Figure 6 End View of TEC-A1LD-D

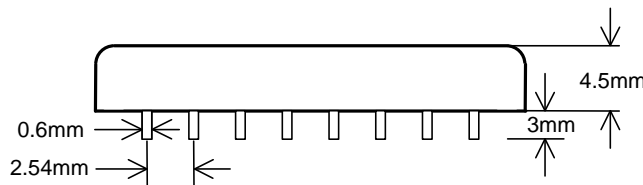


Figure 7 Side View of TEC-A1LD-D

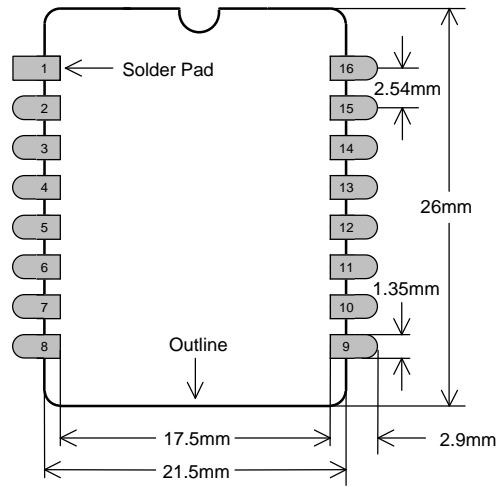


Figure 8 Recommended PCB Footprint



Ordering Guide

Part Number	Description	Note
TEC-A1LD-5V-XX*-D	5V power supply in DIP package with internal net	Maximum output voltage across TEC can be selected from 5V, 4.8V, 4V, 3.5V, 3V, 2.5V and 2V or required one
TEC-A1-5V-XX*-D	5V power supply in DIP package without internal net	
TEC-A1LD-5V-XX*-S	5V power supply in SMT package with internal net	
TEC-A1-5V-XX*-S	5V power supply in SMT package without internal net	
TEC-A1LD-3V-XX*-D	3.3V power supply in DIP package with internal net	Maximum output voltage across TEC can be selected from 3V, 2.5V, 2V and 0.83V or required one
TEC-A1-3V-XX*-D	3.3V power supply in DIP package without internal net	
TEC-A1LD-3V-XX*-S	3.3V power supply in SMT package with internal net	
TEC-A1-3V-XX*-S	3.3V power supply in SMT package without internal net	

*XX stands for the maximum output voltage across TEC. E.g., TEC-A1LD-5V-3.5V-D

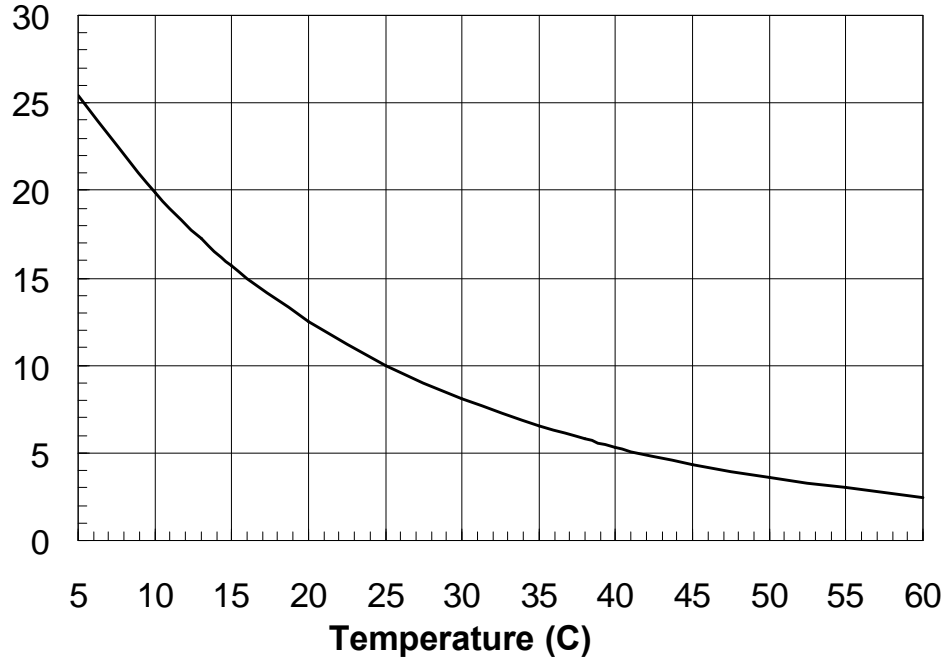
Differences Among Different Series of TEC Controllers

Series Name	Maximum Current	Temp. Good Indication	Internal Compensation Network	Package Size (mm)	Application
TEC-A1	2.5A	Yes	No	25.5 × 20 × 4.2	General purpose
TEC-A1LD	2.5A	Yes	Yes (Predefined for diode laser applications)	25.5 × 20 × 4.2	DWDM, EDFA or others with similar thermal load



Rth v.s. Temperature

Rth (K Ohm)



TEMPSP v.s. Temperature

TEMPSP (V)

