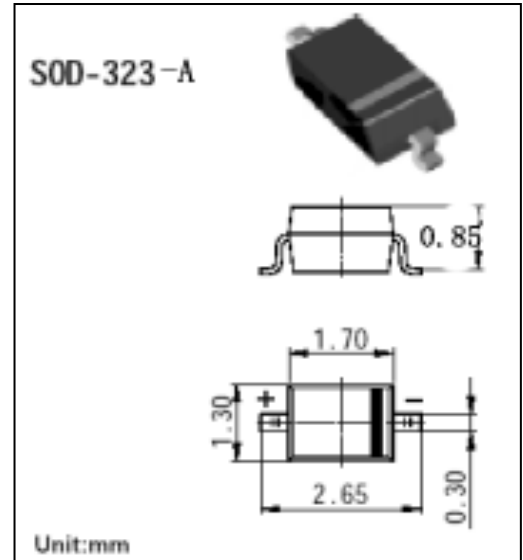


## RB500V-40 Schottky Diode

### FEATURES

- High current rectifier Schottky diode
- Low voltage, low inductance
- For power supply

**MAKING: 2**



### Maximum Ratings and Electrical Characteristics, @T<sub>A</sub>=25°C

Parameter	Symbol	Limits	Unit
Peak reverse voltage	V <sub>RM</sub>	45	V
DC reverse voltage	V <sub>R</sub>	40	V
Mean rectifying current	I <sub>O</sub>	0.1	A
Peak forward surge current	I <sub>FSM</sub>	1	A
Junction temperature	T <sub>j</sub>	125	°C
Storage temperature	T <sub>stg</sub>	-40~+125	°C

### Electrical Ratings @T<sub>A</sub>=25°C

Parameter	Symbol	Min.	Typ.	Max.	Unit	Conditions
Forward voltage	V <sub>F</sub>			0.45	V	I <sub>F</sub> =10mA
Reverse current	I <sub>R</sub>			1	μA	V <sub>R</sub> =10V
Capacitance between terminals	C <sub>T</sub>		6		pF	V <sub>R</sub> =10V, f=1MHZ

# Typical Characteristics

# RB500V-40

● Electrical characteristic curves ( $T_a = 25^\circ\text{C}$ )

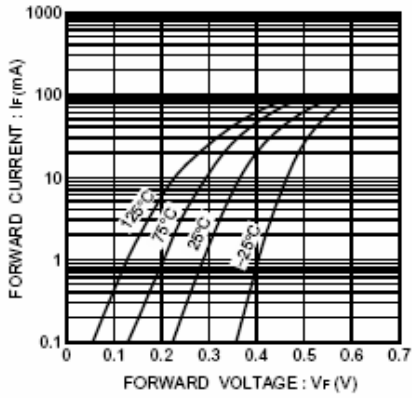


Fig. 1 Forward characteristics

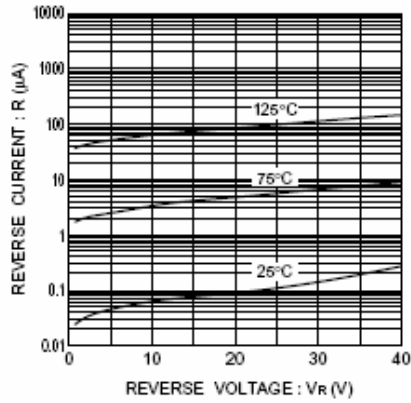


Fig. 2 Reverse characteristics

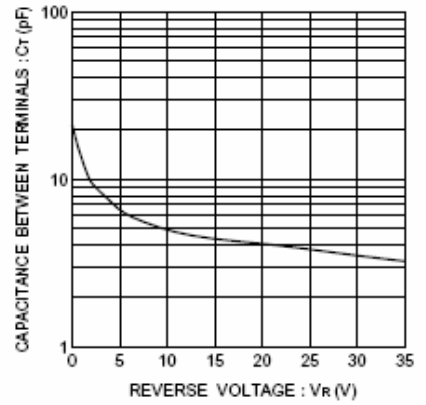


Fig. 3 Capacitance between terminals characteristics

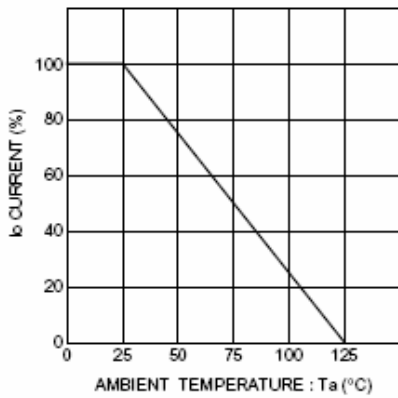


Fig. 4 Derating curve  
(mounting on glass epoxy PCBs)