

**2.5V or 3.3V, 200 MHz,
11 Output Zero Delay Buffer**

Features

- Output frequency range: 16.67 MHz to 200 MHz
- Input frequency range: 16.67 MHz to 200 MHz
- 2.5V or 3.3V operation
- Split 2.5V and 3.3V outputs
- ±2% maximum output duty cycle variation
- 11 clock outputs: drive up to 22 clock lines
- LVCMOS reference clock input
- 125 ps maximum output-output skew
- PLL bypass mode
- Spread Aware™
- Output enable and disable
- Pin compatible with MPC9352 and MPC952
- Industrial temperature range: -40°C to +85°C
- 32-pin 1.4 mm TQFP package

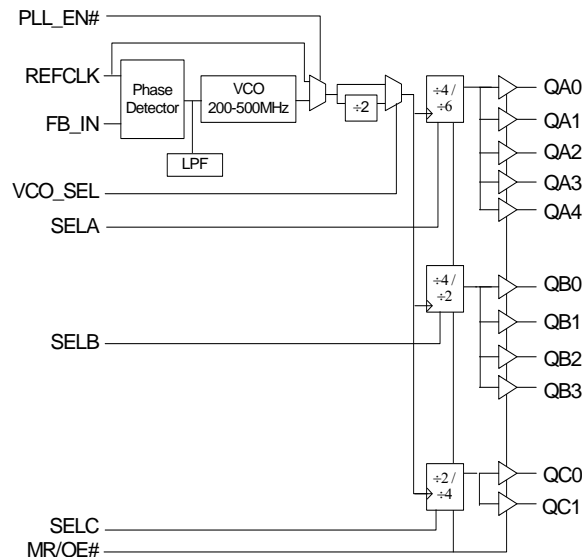
Description

The CY29352 is a low voltage high performance 200 MHz PLL based zero delay buffer designed for high speed clock distribution applications.

The CY29352 features an LVCMOS reference clock input and provides 11 outputs partitioned in three banks of five, four, and two outputs. Bank A divides the VCO output by four and six while bank B divides by four and two, and bank C divides by two and four per SEL(A:C) settings, see Table 3 on page 3. These dividers allow output to input ratios of 3:1, 2:1, 3:2, 1:1, 2:3, 1:2, and 1:3. Each LVCMOS compatible output drives 50Ω series or parallel terminated transmission lines. For series terminated transmission lines, each output drives one or two traces, giving the device an effective fanout of 1:22.

The PLL is stable if the VCO is configured to run between 200 MHz to 500 MHz. This allows a wide range of output frequencies from 16.67 MHz to 200 MHz. For normal operation, the external feedback input, FB_IN, is connected to one of the outputs. The internal VCO runs at multiples of the input reference clock set by the feedback divider, see Table 2 on page 3. When PLL_EN# is HIGH, PLL is bypassed and the reference clock directly feeds the output dividers. This mode is fully static and the minimum input clock frequency specification does not apply.

Block Diagram



Pinouts

Figure 1. Pin Diagram - 32-pin 1.4 mm TQFP package

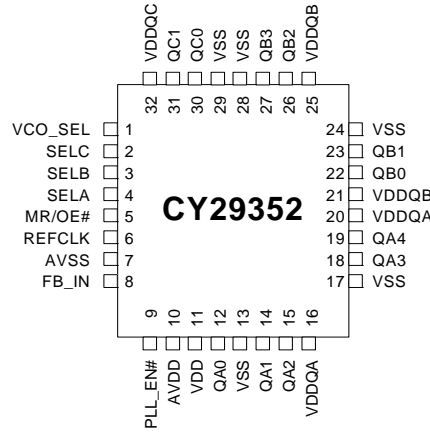


Table 1. Pin Definition - 32-pin 1.4 mm TQFP package

Pin	Name	IO ^[1]	Type	Description
6	REFCLK	I, PD	LVC MOS	Reference clock input
12, 14, 15, 18, 19	QA(0:4)	O	LVC MOS	Clock output bank A
22, 23, 26, 27	QB(0:3)	O	LVC MOS	Clock output bank B
30, 31	QC(0,1)	O	LVC MOS	Clock output bank C
8	FB_IN	I, PD	LVC MOS	Feedback clock input. Connect to an output for normal operation. This input must be at the same voltage rail as input reference clock, see Table 2 on page 3.
1	VCO_SEL	I, PD	LVC MOS	VCO divider select input, see Table 3 on page 3.
5	MR/OE#	I, PD	LVC MOS	Master reset or output enable and disable input, see Table 3 on page 3.
9	PLL_EN#	I, PD	LVC MOS	PLL enable and disable input, see Table 3 on page 3.
2, 3, 4	SEL(A:C)	I, PD	LVC MOS	Frequency select input, bank (A:C), see Table 3 on page 3.
16, 20	V _{DDQA}	Supply	V _{DD}	2.5V or 3.3V power supply for bank A output clocks ^[2,3]
21, 25	V _{DDQB}	Supply	V _{DD}	2.5V or 3.3V power supply for bank B output clocks ^[2,3]
32	V _{DDQC}	Supply	V _{DD}	2.5V or 3.3V power supply for bank C output clocks ^[2,3]
10	AV _{DD}	Supply	V _{DD}	2.5V or 3.3V power supply for PLL ^[2,3]
11	V _{DD}	Supply	V _{DD}	2.5V or 3.3V power supply for core and inputs ^[2,3]
7	AV _{SS}	Supply	Ground	Analog ground
13, 17, 24, 28, 29	V _{SS}	Supply	Ground	Common ground

Notes

1. PD = Internal pull down.
2. A 0.1-μF bypass capacitor must be placed as close as possible to each positive power pin (< 0.2"). If these bypass capacitors are not close to the pins, the high frequency filtering characteristics are cancelled by the lead inductance of the traces.
3. AV_{DD} and V_{DD} pins must be connected to a power supply level that is at least equal or higher than that of V_{DDQA}, V_{DDQB}, and V_{DDQC} power supply pins.

Table 2. Frequency Table

VCO_SEL	Feedback Output Divider	VCO	Input Frequency Range (AVDD = 3.3V)	Input Frequency Range (AVDD = 2.5V)
0	÷2	Input clock * 2	100 MHz to 200 MHz	100 MHz to 200 MHz
0	÷4	Input clock * 4	50 MHz to 125 MHz	50 MHz to 100 MHz
0	÷6	Input clock * 6	33.33 MHz to 83.33 MHz	33.33 MHz to 66.67 MHz
1	÷2	Input clock * 4	50 MHz to 125 MHz	50 MHz to 100 MHz
1	÷4	Input clock * 8	25 MHz to 62.5 MHz	25 MHz to 50 MHz
1	÷6	Input clock * 12	16.67 MHz to 41.67 MHz	16.67 MHz to 33.33 MHz

Table 3. Function Table

Control	Default	0	1
VCO_SEL	0	VCO	VCO ÷ 2
PLL_EN#	0	PLL enabled, the VCO output connects to the output dividers	Bypass mode, PLL disabled, the input clock connects to the output dividers
MR/OE#	0	Outputs enabled	Outputs disabled (three-state), VCO runs at its minimum frequency
SELA	0	QA = VCO ÷ 4	QA = VCO ÷ 6
SELB	0	QB = VCO ÷ 4	QB = VCO ÷ 2
SELC	0	QC = VCO ÷ 2	QC = VCO ÷ 4

Absolute Maximum Conditions

Parameter	Description	Condition	Min	Max	Unit
V _{DD}	DC supply voltage		-0.3	5.5	V
V _{DD}	DC operating voltage	Functional	2.375	3.465	V
V _{IN}	DC input voltage	Relative to V _{SS}	-0.3	V _{DD} + 0.3	V
V _{OUT}	DC output voltage	Relative to V _{SS}	-0.3	V _{DD} + 0.3	V
V _{TT}	Output termination voltage			V _{DD} ÷ 2	V
LU	Latch up immunity	Functional	200		mA
R _{PS}	Power supply ripple	Ripple frequency < 100 kHz		150	mVp-p
T _S	Temperature, storage	Non functional	-65	+150	°C
T _A	Temperature, operating ambient	Functional	-40	+85	°C
T _J	Temperature, junction	Functional		155	°C
∅ _{JC}	Dissipation, junction to case	Functional		42	°C/W
∅ _{JA}	Dissipation, junction to ambient	Functional		105	°C/W
ESD _H	ESD protection (human body model)		2000		Volts
FIT	Failure in time	Manufacturing test		10	ppm

DC Parameters ($V_{DD} = 2.5V \pm 5\%$, $T_A = -40^\circ C$ to $+85^\circ C$)

Parameter	Description	Condition	Min	Typ	Max	Unit
V_{IL}	Input voltage, low	LVC MOS			0.7	V
V_{IH}	Input voltage, high	LVC MOS	1.7		$V_{DD} + 0.3$	V
V_{OL}	Output voltage, low ^[4]	$I_{OL} = 15 \text{ mA}$			0.6	V
V_{OH}	Output voltage, high ^[4]	$I_{OH} = -15 \text{ mA}$	1.8			V
I_{IL}	Input current, low	$V_{IL} = V_{SS}$			-10	μA
I_{IH}	Input current, high ^[5]	$V_{IL} = V_{DD}$			100	μA
I_{DDA}	PLL supply current	AV_{DD} only		5	10	mA
I_{DDQ}	Quiescent supply current	All V_{DD} pins except AV_{DD}		3	5	mA
I_{DD}	Dynamic supply current			170		mA
C_{IN}	Input pin capacitance			4		pF
Z_{OUT}	Output impedance			17–20		Ω

DC Parameters ($V_{DD} = 3.3V \pm 5\%$, $T_A = -40^\circ C$ to $+85^\circ C$)

Parameter	Description	Condition	Min	Typ	Max	Unit
V_{IL}	Input voltage, low	LVC MOS			0.8	V
V_{IH}	Input voltage, high	LVC MOS	2.0		$V_{DD} + 0.3$	V
V_{OL}	Output voltage, low ^[4]	$I_{OL} = 24 \text{ mA}$			0.55	V
		$I_{OL} = 12 \text{ mA}$			0.30	
V_{OH}	Output voltage, high ^[4]	$I_{OH} = -24 \text{ mA}$	2.4			V
I_{IL}	Input current, low	$V_{IL} = V_{SS}$			-10	μA
I_{IH}	Input current, high ^[5]	$V_{IL} = V_{DD}$			100	μA
I_{DDA}	PLL supply current	AV_{DD} only		5	10	mA
V_{IL}	Input voltage, low	LVC MOS			0.8	V
V_{IH}	Input voltage, high	LVC MOS	2.0		$V_{DD} + 0.3$	V
V_{OL}	Output voltage, low ^[4]	$I_{OL} = 24 \text{ mA}$			0.55	V
		$I_{OL} = 12 \text{ mA}$			0.30	
V_{OH}	Output voltage, high ^[4]	$I_{OH} = -24 \text{ mA}$	2.4			V
I_{IL}	Input current, low	$V_{IL} = V_{SS}$			-10	μA
I_{IH}	Input current, high ^[5]	$V_{IL} = V_{DD}$			100	μA
I_{DDA}	PLL supply current	AV_{DD} only		5	10	mA
I_{DDQ}	Quiescent supply current	All V_{DD} pins except AV_{DD}		3	5	mA
I_{DD}	Dynamic supply current			240		mA
C_{IN}	Input pin capacitance			4		pF
Z_{OUT}	Output impedance			14–17		Ω

Notes

- Driving one 50Ω parallel terminated transmission line to a termination voltage of V_{TT} . Alternatively, each output drives up to two 50Ω series terminated transmission lines.
- Inputs have pull down resistors that affect the input current.

AC Parameters ($V_{DD} = 2.5V \pm 5\%$, $T_A = -40^{\circ}C$ to $+85^{\circ}C$)

Parameter ^[6]	Description	Condition	Min	Typ	Max	Unit
f_{VCO}	VCO frequency		200		400	MHz
f_{in}	Input frequency	÷2 feedback	100		200	MHz
		÷4 feedback	50		100	
		÷6 feedback	33.33		66.67	
		÷8 feedback	25		50	
		÷12 feedback	16.67		33.33	
		Bypass mode (PLL_EN# = 1)	0		200	
f_{refDC}	Input duty cycle		25		75	%
t_r, t_f	TCLK input rise and fall time	0.7V to 1.7V			1.0	ns
f_{MAX}	Maximum output frequency	÷2 output	100		200	MHz
		÷4 output	50		100	
		÷6 output	33.33		66.67	
		÷8 output	25		50	
		÷12 output	16.67		33.33	
DC	Output duty cycle	$f_{MAX} < 100$ MHz	47		53	%
		$f_{MAX} > 100$ MHz	44		56	
t_r, t_f	Output rise and fall times	0.6V to 1.8V	0.1		1.0	ns
$t_{(\phi)}$	Propagation delay (static phase offset)	TCLK to FB_IN, same V_{DD} , does not include jitter	-100		100	ps
$t_{sk(O)}$	Output to output skew	Skew within bank			125	ps
$t_{sk(B)}$	Bank to bank skew	Banks at same voltage, same frequency			175	ps
		Banks at same voltage, different frequency			225	
$t_{PLZ, HZ}$	Output disable time				8	ns
$t_{PZL, ZH}$	Output enable time				10	ns
BW	PLL closed loop bandwidth (-3 dB)	÷2 feedback		2		MHz
		÷4 feedback		1-1.5		
		÷6 feedback		0.6		
		÷8 feedback		0.75		
		÷12 feedback		0.5		
$t_{JIT(CC)}$	Cycle to cycle jitter	Same frequency			100	ps
		Multiple frequencies			300	
$t_{JIT(PER)}$	Period jitter	Same frequency			100	ps
		Multiple frequencies			150	
$t_{JIT(\phi)}$	IO phase jitter	VCO < 300 MHz		150		ps
		VCO > 300 MHz		100		
t_{LOCK}	Maximum PLL lock time				1	ms

AC Parameters ($V_{DD} = 3.3V \pm 5\%$, $T_A = -40^{\circ}C$ to $+85^{\circ}C$)

Parameter ^[6]	Description	Condition	Min	Typ	Max	Unit
f_{VCO}	VCO frequency		200		500	MHz
f_{in}	Input frequency	÷2 feedback	100		200	MHz
		÷4 feedback	50		125	
		÷6 feedback	33.33		83.33	
		÷8 feedback	25		62.5	
		÷12 feedback	16.67		41.67	
		Bypass mode (PLL_EN# = 1)	0		200	
f_{refDC}	Input duty cycle		25		75	%
t_r, t_f	TCLK input rise and fall time	0.8V to 2.0V			1.0	ns
f_{MAX}	Maximum output frequency	÷2 output	100		200	MHz
		÷4 output	50		125	
		÷6 output	33.33		83.33	
		÷8 output	25		62.5	
		÷12 output	16.67		41.67	
		DC	Output duty cycle	$f_{MAX} < 100$ MHz	48	
$t_{(\phi)}$	Propagation delay (static phase offset)	TCLK to FB_IN, same V_{DD} , does not include jitter	-100		200	ps
$t_{sk(O)}$	Output to output skew	Skew within each Bank			125	ps
$t_{sk(B)}$	Bank to bank skew	Banks at same voltage, same frequency			175	ps
		Banks at same voltage, different frequency			235	
		Banks at different voltage			425	
$t_{PLZ, HZ}$	Output disable time				8	ns
$t_{PZL, ZH}$	Output enable time				10	ns
BW	PLL closed loop bandwidth (-3 dB)	÷2 feedback		2		MHz
		÷4 feedback		1-1.5		
		÷6 feedback		0.6		
		÷8 feedback		0.75		
		÷12 feedback		0.5		
$t_{JIT(CC)}$	Cycle to cycle jitter	Same frequency			100	ps
		Multiple frequencies			275	
$t_{JIT(PER)}$	Period jitter	Same frequency			100	ps
		Multiple frequencies			150	
$t_{JIT(\phi)}$	IO phase jitter	VCO < 300 MHz		150		ps
		VCO > 300 MHz		100		
t_{LOCK}	Maximum PLL lock time				1	ms

Note

6. AC characteristics apply for parallel output termination of 50Ω to V_{TT} . Outputs are at the same supply voltage unless otherwise stated. Parameters are guaranteed by characterization and are not 100% tested.

Figure 2. AC Test Reference for $V_{DD} = 3.3V / 2.5V$

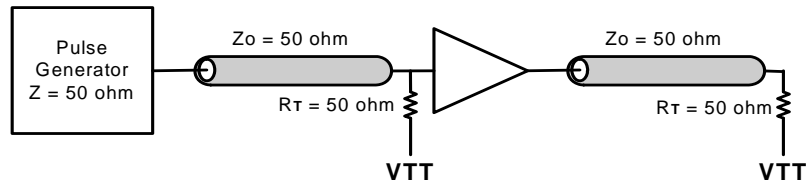


Figure 3. Propagation Delay $t(\phi)$, Static Phase Offset

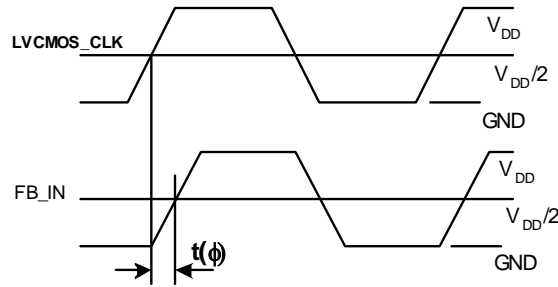


Figure 4. Output Duty Cycle (DC)

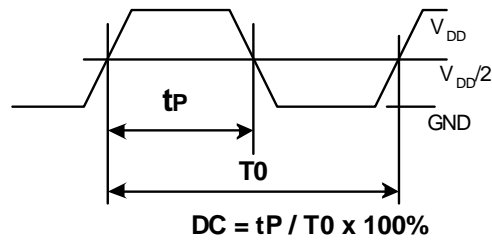
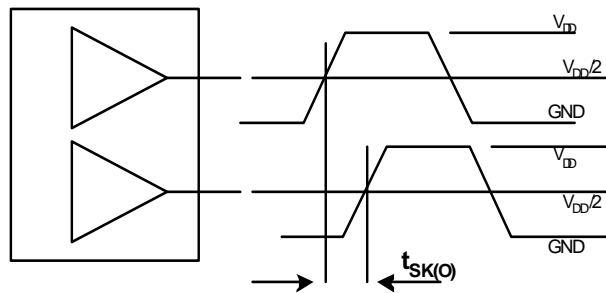


Figure 5. Output to Output Skew, $t_{sk(O)}$

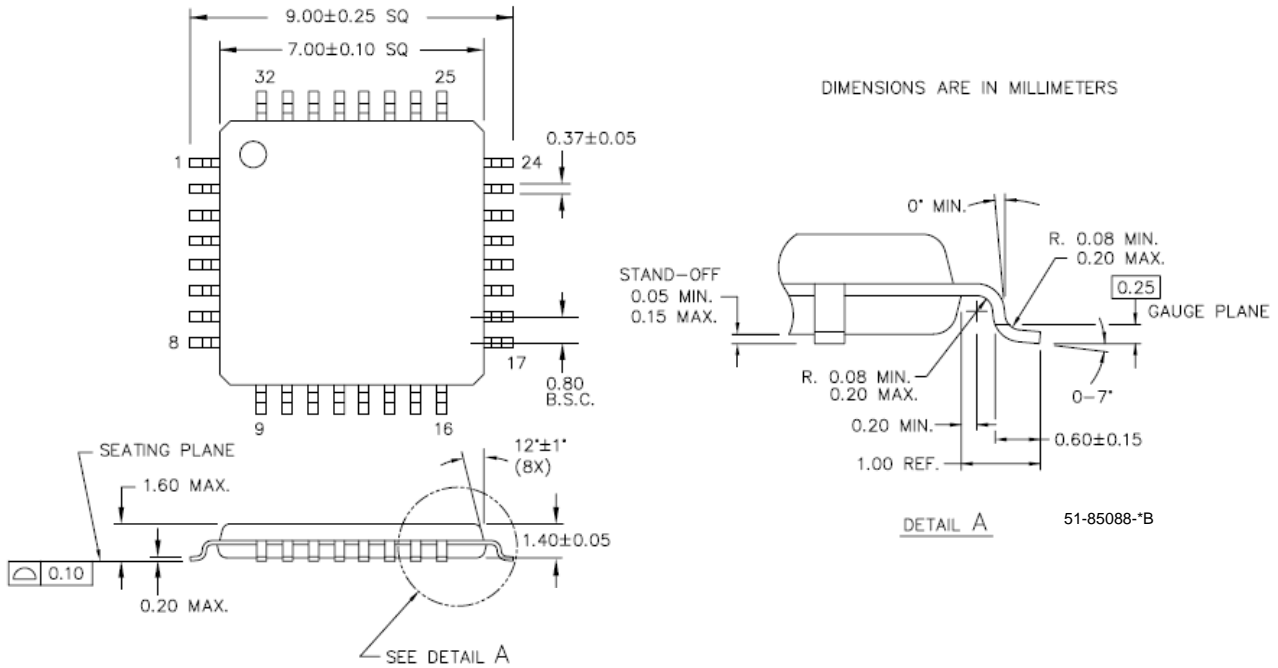


Ordering Information

Part Number	Package Type	Product Flow
Pb-Free		
CY29352 AXI	32-pin TQFP	Industrial, -40°C to +85°C
CY29352 AXIT	32-pin TQFP—tape and reel	Industrial, -40°C to 85°C

Package Drawing and Dimension

Figure 6. 32 Lead Thin Plastic Quad Flatpack 7 x 7 x 1.4 mm



Document History Page

Document Title: CY29352 2.5V or 3.3V, 200 MHz, 11 Output Zero Delay Buffer				
Document Number: 38-07476				
REV.	ECN No.	Issue Date	Orig. of Change	Description of Change
**	124654	03/21/03	RGL	New Data Sheet
*A	739798	See ECN	RGL	Removed the leaded parts and replaced by lead-free parts
*B	1923227	See ECN	PYG/KVM/ AESAs	Corrected package thickness from 1.0 mm to 1.4 mm in Features section on page 1 and in Figure 5.

© Cypress Semiconductor Corporation, 2003-2008. The information contained herein is subject to change without notice. Cypress Semiconductor Corporation assumes no responsibility for the use of any circuitry other than circuitry embodied in a Cypress product. Nor does it convey or imply any license under patent or other rights. Cypress products are not warranted nor intended to be used for medical, life support, life saving, critical control or safety applications, unless pursuant to an express written agreement with Cypress. Furthermore, Cypress does not authorize its products for use as critical components in life-support systems where a malfunction or failure may reasonably be expected to result in significant injury to the user. The inclusion of Cypress products in life-support systems application implies that the manufacturer assumes all risk of such use and in doing so indemnifies Cypress against all charges.

Any Source Code (software and/or firmware) is owned by Cypress Semiconductor Corporation (Cypress) and is protected by and subject to worldwide patent protection (United States and foreign), United States copyright laws and international treaty provisions. Cypress hereby grants to licensee a personal, non-exclusive, non-transferable license to copy, use, modify, create derivative works of, and compile the Cypress Source Code and derivative works for the sole purpose of creating custom software and or firmware in support of licensee product to be used only in conjunction with a Cypress integrated circuit as specified in the applicable agreement. Any reproduction, modification, translation, compilation, or representation of this Source Code except as specified above is prohibited without the express written permission of Cypress.

Disclaimer: CYPRESS MAKES NO WARRANTY OF ANY KIND, EXPRESS OR IMPLIED, WITH REGARD TO THIS MATERIAL, INCLUDING, BUT NOT LIMITED TO, THE IMPLIED WARRANTIES OF MERCHANTABILITY AND FITNESS FOR A PARTICULAR PURPOSE. Cypress reserves the right to make changes without further notice to the materials described herein. Cypress does not assume any liability arising out of the application or use of any product or circuit described herein. Cypress does not authorize its products for use as critical components in life-support systems where a malfunction or failure may reasonably be expected to result in significant injury to the user. The inclusion of Cypress' product in a life-support systems application implies that the manufacturer assumes all risk of such use and in doing so indemnifies Cypress against all charges.

Use may be limited by and subject to the applicable Cypress software license agreement.