

Part Number: AT-2720-TT-R



Features

Mounting: PC Mount
Frequency: 2048 +/- 500 Hz
This part is RoHS 2002/95/EC Compliant

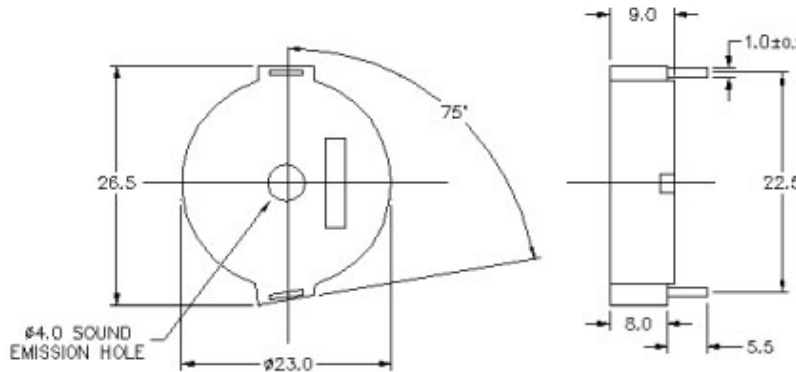
Electrical Specifications

Operating Voltage	1-30 Vp-p
Rated Current (Max.)	3.5 mA
Rated Voltage	10 Vp-p
Resonant Frequency	2048 +/- 500 Hz
Sound Pressure Level @ 10 cm (Min.)	88 dBA

Case Material: ABS
Weight: 2g
Pin Material: Cn Plated Phosphor Bronze
Environmentally friendly

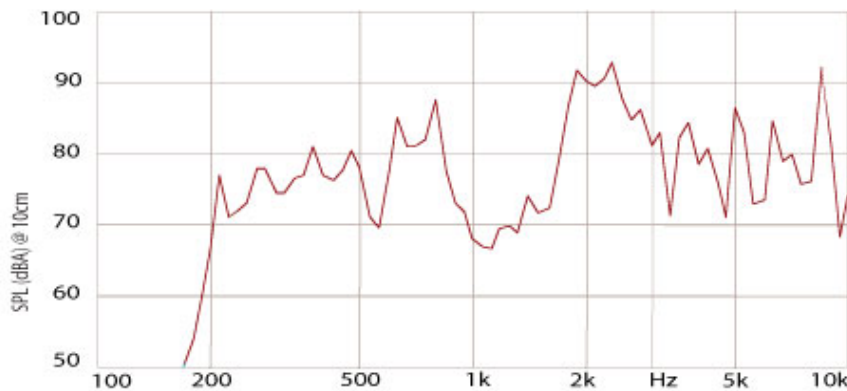
Mechanical

Dimensions are in millimeters, tolerance is ± 0.5 unless otherwise specified.



Performance

Typical SPL vs. Frequency



For application notes and detail drawing specifications, please consult www.projectsunlimited.com.

Specifications subject to change without notice.

© 2006, Projects Unlimited Inc., All Rights Reserved.