

SCHOTTKY BARRIER RECTIFIERS

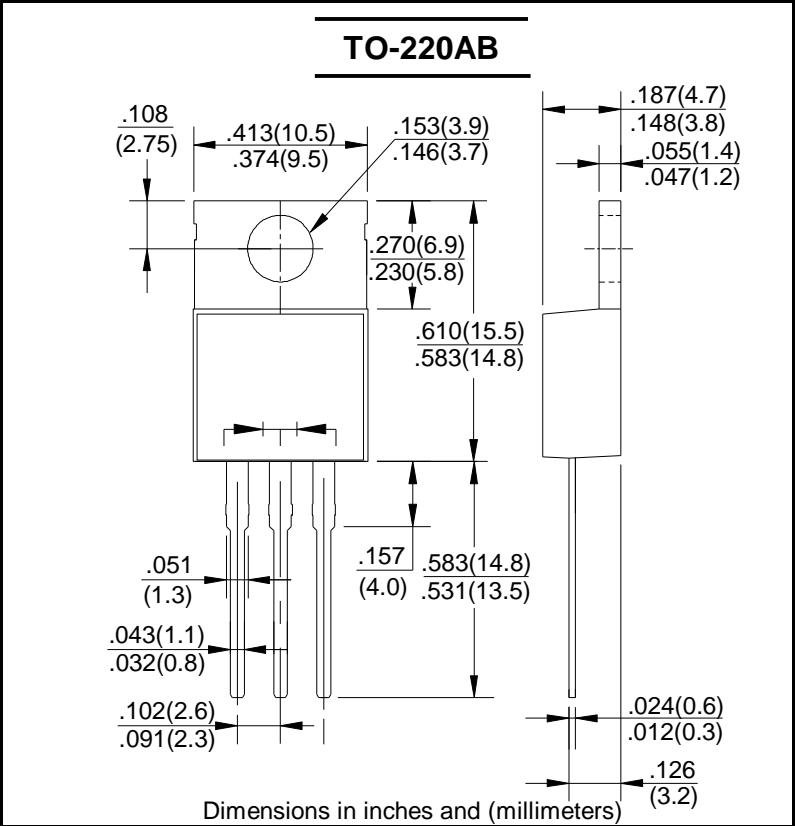
REVERSE VOLTAGE - 30 to 150Volts
FORWARD CURRENT - 16.0 Amperes

FEATURES

- Metal of silicon rectifier , majority carrier conduction
- Guard ring for transient protection
- Low power loss,high efficiency
- High current capability,low VF
- High surge capacity
- Plastic package has UL flammability classification 94V-0
- For use in low voltage,high frequency inverters,free wheeling,and polarity protection applications

MECHANICAL DATA

- Case: TO-220ABmolded plastic
- Polarity: As marked on the body
- Weight: 0.08ounces,2.24 grams
- Mounting position :Any



MAXIMUM RATINGS AND ELECTRICAL CHARACTERISTICS

Rating at 25°C ambient temperature unless otherwise specified.
Single phase, half wave ,60Hz, resistive or inductive load.
For capacitive load, derate current by 20%

CHARACTERISTICS	SYMBOL	SR 1630CT	SR 1640CT	SR 1650CT	SR 1660CT	SR 1680CT	SR 16100CT	SR 16150CT	UNIT	
Maximum Recurrent Peak Reverse Voltage	V _{RRM}	30	40	50	60	80	100	150	V	
Maximum RMS Voltage	V _{RMS}	21	28	35	42	56	70	105	V	
Maximum DC Blocking Voltage	V _{DC}	30	40	50	60	80	100	150	V	
Maximum Average Forward Rectified Current (See Fig.1) @T _C =95 °C	I <sub(av)< sub=""></sub(av)<>	16							A	
Peak Forward Surage Current 8.3ms Single Half Sine-Wave Super Imposed on Rated Load (JEDEC Method)	I _{FSM}	150							A	
Peak Forward Voltage at 8.0A DC(Note1)	V _F	0.55	0.60	0.70		0.85	0.85	0.95	V	
Maximum DC Reverse Current @T _J =25°C at Rated DC Bolcking Voltage @T _J =100°C	I _R	1.0							50	mA
Typical Junction Capacitance (Note2)	C _J	350							pF	
Typical Thermal Resistance (Note3)	R _{θJC}	2.5							°C/W	
Operating Temperature Range	T _J	-55 to +150							°C	
Storage Temperature Range	T _{STG}	-55 to +150							°C	

NOTES:1.300us pulse width,2% dudy cycle.
2.Measured at 1.0 MHz and applied reverse voltage of 4.0V DC.
3.Thermal resistance junction to case.

FIG. 1 – FORWARD CURRENT DERATING CURVE

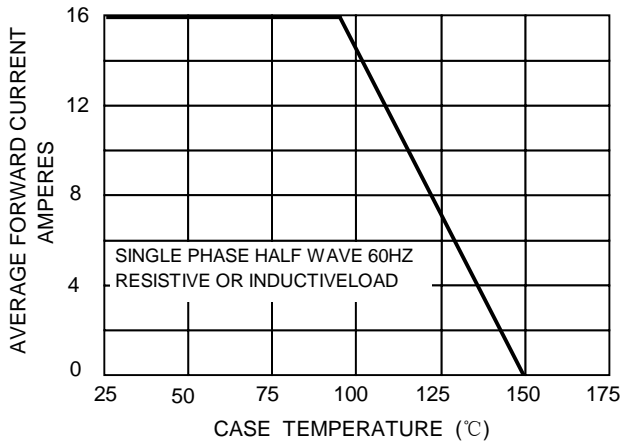


FIG. 2 – MAXIMUM NON-REPETITIVE SURGE CURRENT

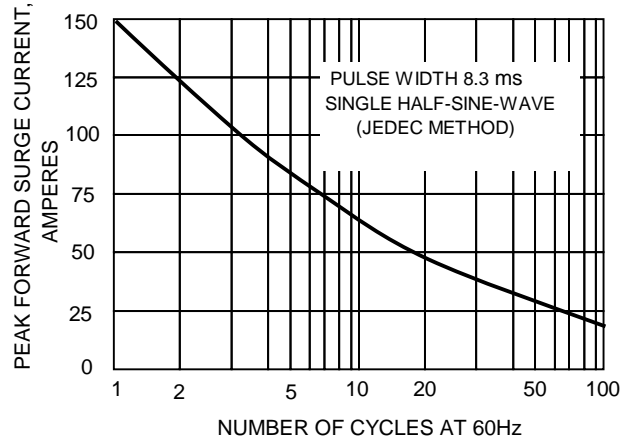


FIG.3-TYPICAL REVER CHARACTERISTICS

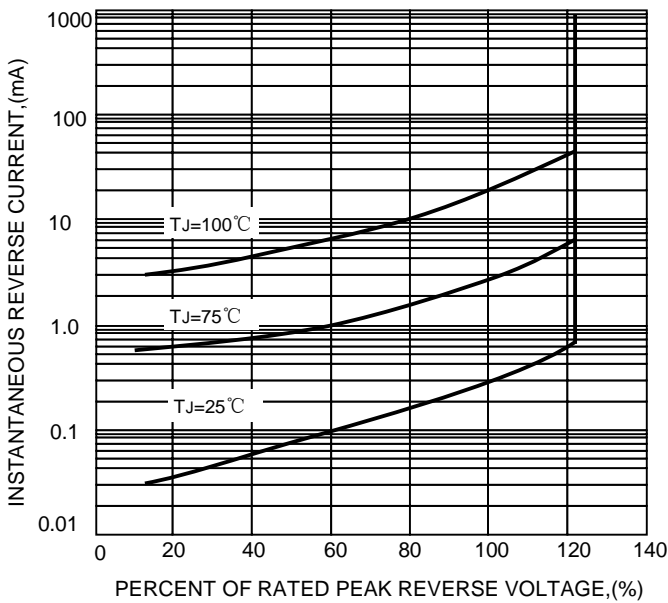


FIG.4-TYPICAL FORWARD CHARACTERISTICS

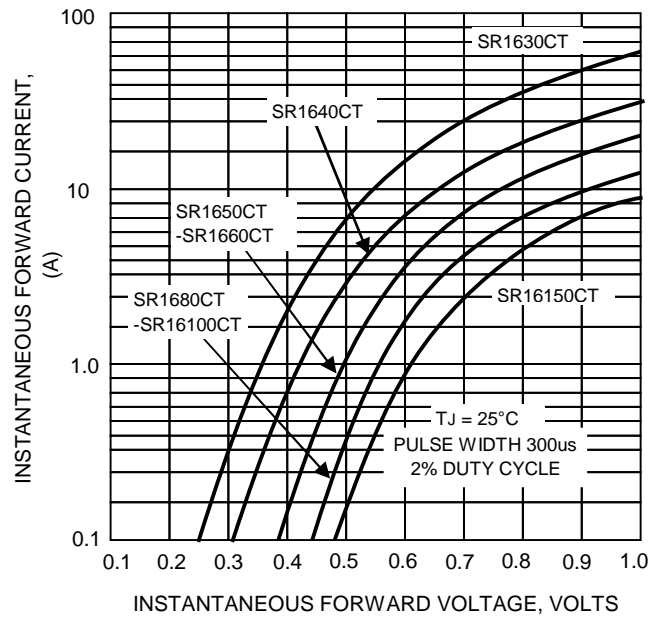


FIG.3 – TYPICAL JUNCTION CAPACITANCE

