

SMD TYPE

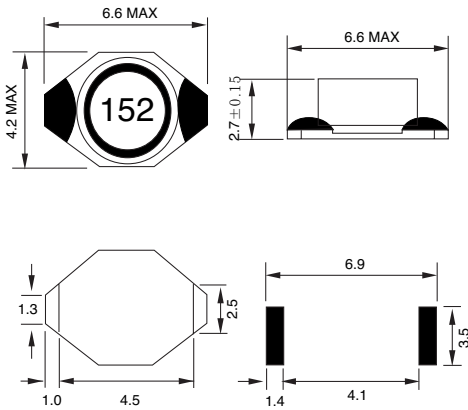
LPF4027-B SERIES

SMD Shielded type

SHAPES & DIMENSIONS

RECOMMENDED SOLDER LAND PATTERN

(Dimensions in mm)



ELECTRICAL CHARACTERISTICS

Ordering Code	Inductance (μH)	Inductance TOL.(%)	Test Freq. (KHz)	DC Resistance (Ω)Max	Rated Current(A)
LPF4027T-102M-B	1.0	± 20	100	9	100
LPF4027T-152M-B	1.5			11	80
LPF4027T-222M-B	2.2			19	50
LPF4027T-332M-B	3.3			24	40
LPF4027T-472M-B	4.7			30	30

TEST EQUIPMENTS

- Inductance: Agilent 4284A LCR Meter (100KHz 0.5V)
- Rdc: HIOKI 3540 mΩ HiTESTER
- Bias Current: Agilent 4284A + Agilent 42841A
Temperature rise 30°C at rated current

OPERATING TEMPERATURE RANGE

-20 ~ +85°C (Including self-generated heat)

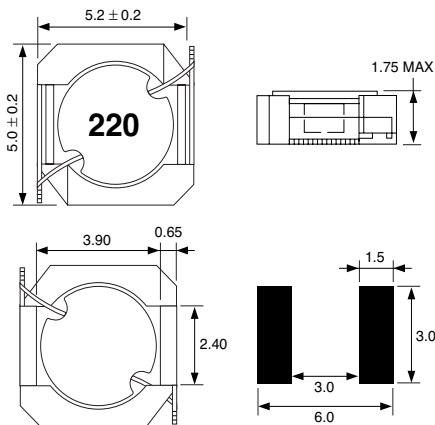
LPF5017 SERIES

SMD Shielded type

SHAPES & DIMENSIONS

RECOMMENDED PCB PATTERN

(Dimensions in mm)



ELECTRICAL CHARACTERISTICS

Ordering Code	Inductance (μH)	Inductance TOL.(%)	Test Freq. (KHz)	DC Resistance (mΩ)Max () is typical value.	Rated Current(A)	
					IDC1 (Max.)	IDC2 (Ref.)
LPF5017T-1R0M	1.0	± 20	100	40(29)	3.80	2.71
LPF5017T-2R2M	2.2			45(33)	2.20	2.09
LPF5017T-3R0M	3.0			57(47)	2.10	1.94
LPF5017T-4R7M	4.7			80(69)	1.70	1.67
LPF5017T-6R8M	6.8			106(93)	1.20	1.56
LPF5017T-100M	10	± 20	100	150(125)	1.00	1.13
LPF5017T-150M	15			220(192)	0.85	1.06
LPF5017T-220M	22			300(264)	0.80	0.81
LPF5017T-330M	33			455(425)	0.65	0.69
LPF5017T-470M	47			645(613)	0.57	0.57

TEST EQUIPMENTS

- Inductance: Agilent 4284A LCR Meter (100KHz 0.5V)
- Rdc: HIOKI 3540 mΩ HiTESTER
- Bias Current: Agilent 4284A + Agilent 42841A
- IDC1(The saturation current): $\Delta L \leq 30\%$ at rated current
- IDC2(The temperature rise): $\Delta T = 30^\circ\text{C}$ at rated current

OPERATING TEMPERATURE RANGE

-20 ~ +85°C (Including self-temp. rise)