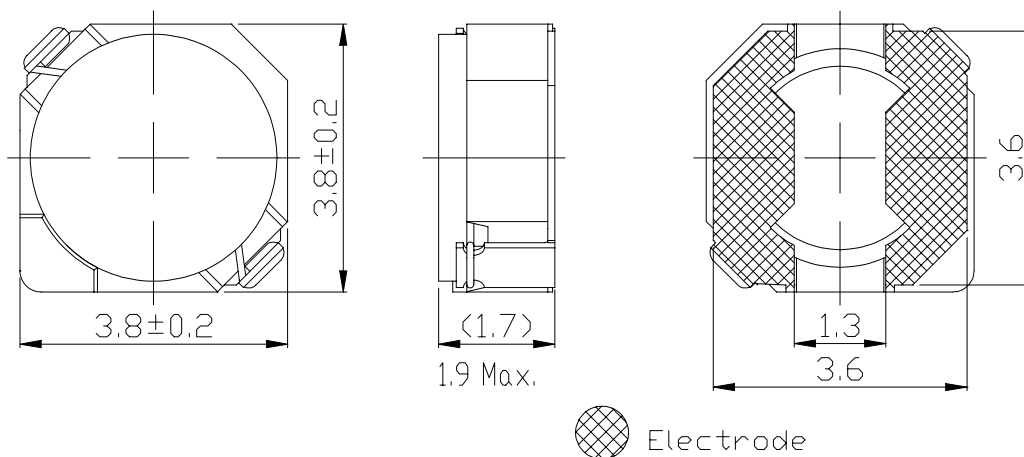
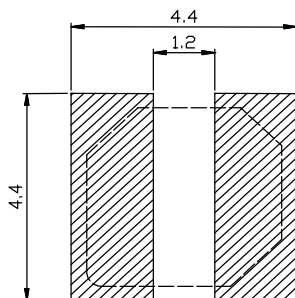


**Type: CDRH3D17/S**
**◆ Product Description**

- 4.0×4.0mm Max.(L×W), 1.90mm Max.Height.
- Inductance range: 1.7~22  $\mu$  H.
- Rated current range:0.5~2.0A.
- In addition to the standards versions shown here, custom inductors are also available to meet your exact requirements.

**◆ Feature**

- Magnetically shielded construction.
- Ideally used in Mobilephone,PDA,MP3,DSC/DVC,etc as DC-DC Converter inductors.
- RoHS Compliance.

**◆ Dimensions (mm)**

**◆ Land Pattern (mm)**


**Type: CDRH3D17/S**
**◆ Specification**

Part Name ※	Stamp	Inductance ( $\mu$ H) [Within] 100kHz/1V	D.C.R.(m $\Omega$ ) Max.(Typ.) (at 20°C)	Saturation Current (A) ※1		Temperature Rise current (A) ※2
				(at 20°C)	(at 100°C)	
CDRH3D17/SNP-1R7N□	A	1.7 $\pm$ 30%	50(41)	2.0	1.6	2.4
CDRH3D17/SNP-2R2N□	C	2.2 $\pm$ 30%	60(47)	1.8	1.3	2.3
CDRH3D17/SNP-3R3N□	E	3.3 $\pm$ 30%	85(68)	1.4	1.1	1.8
CDRH3D17/SNP-4R7N□	G	4.7 $\pm$ 30%	115(93)	1.2	0.9	1.5
CDRH3D17/SNP-6R3N□	J	6.3 $\pm$ 30%	180 (145)	1.0	0.7	1.1
CDRH3D17/SNP-10 $\emptyset$ N□	K	10 $\pm$ 30%	230 (185)	0.8	0.6	1.0
CDRH3D17/SNP-15 $\emptyset$ N□	M	15 $\pm$ 30%	410 (328)	0.7	0.5	0.8
CDRH3D17/SNP-22 $\emptyset$ N□	P	22 $\pm$ 30%	610 (488)	0.6	0.4	0.5

**※ Description of Part Name**

CDRH3D17/SNP-1R7N□

- B Box
- C Carrier Tape

※1.Saturation Current: The DC current at which the inductance decreases to 65% of it's nominal value

 ※2 Temperature rise current:The DC current at which the temperature rise is  $\Delta t=40^{\circ}\text{C}$ .( $T_a=20^{\circ}\text{C}$ )