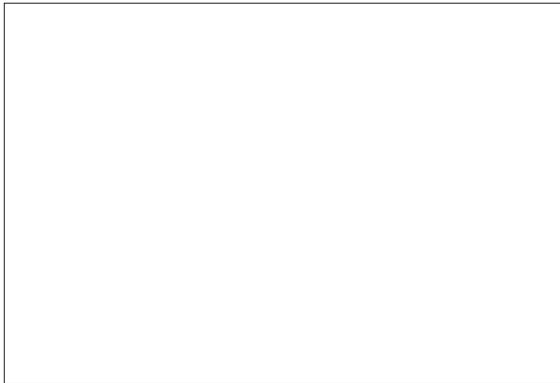


# SMTC3-2000

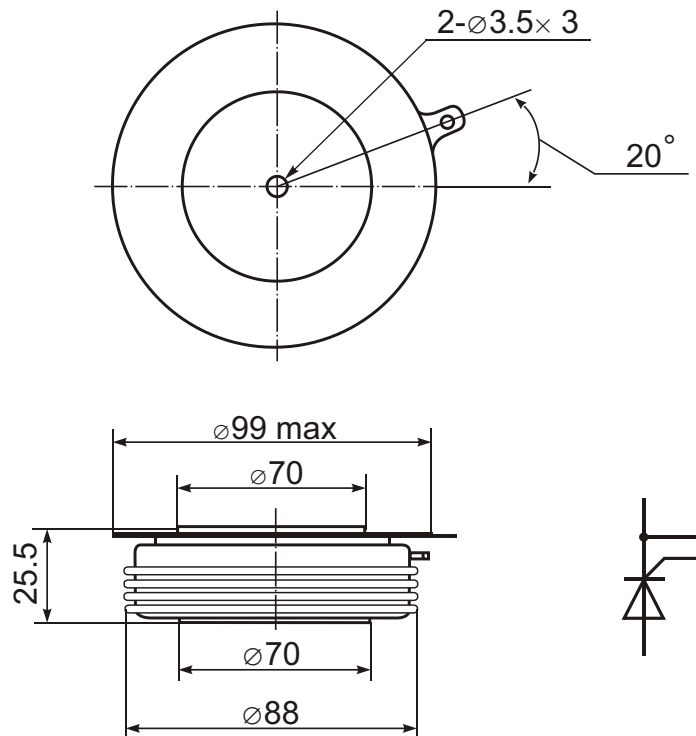


## Phase Control Thyristor



Type	$V_{RSM}$	$V_{RRM}$ , $V_{DRM}$
SMTC3-2000-24	2500	2400
SMTC3-2000-26	2700	2600
SMTC3-2000-28	2900	2800
SMTC3-2000-30	3100	3000
SMTC3-2000-32	3300	3200
SMTC3-2000-34	3500	3400
SMTC3-2000-36	3700	3600

Type	$I_{TAVM}$ $T_c=55^\circ\text{C}$	$I_{TRMS}$	$I_{TSM}$	$(di/dt)_{cr}$	$(dv/dt)_{cr}$	$V_{TM}$	$I_{TM}$	$V_{TO}$	$r_T$	$t_q$	$V_{GT}$	$I_{GT}$	$T_{VJM}$	$R_{thJC}$	F
	A	kA	kA	A/ $\mu\text{s}$	V/ $\mu\text{s}$	V	kA	V	m $\Omega$	$\mu\text{s}$	V	mA	$^\circ\text{C}$	K/W	kN
SMTC3-2000	2000	3.65	24.0	250	1000	2.4	4.5	1.10	0.23	500	3.0	300	125	0.011	45



### Features:

- Hermetic metal case with ceramic insulator
- Capsule packages for double sided cooling
- International standard case
- Amplifying gates

### Typical Applications:

- DC motor control
- AC motor soft starter
- Controlled rectifiers
- AC controllers