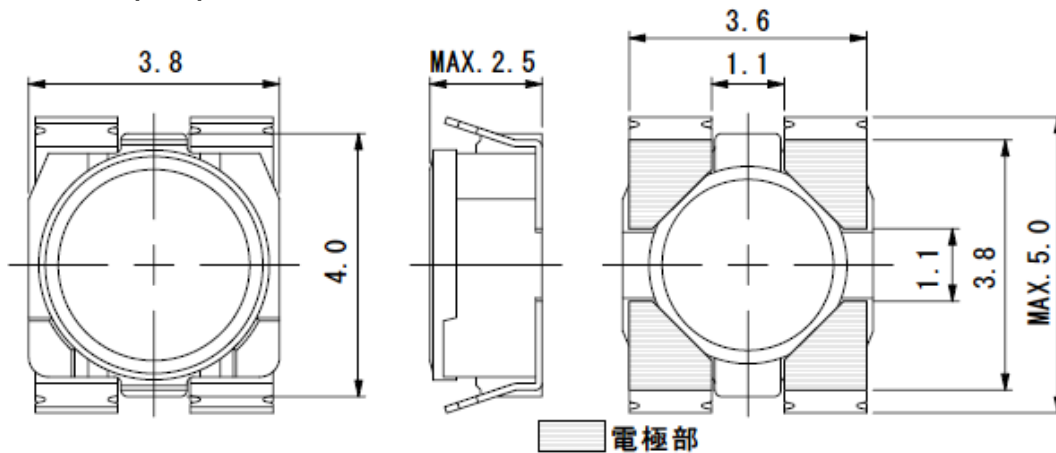
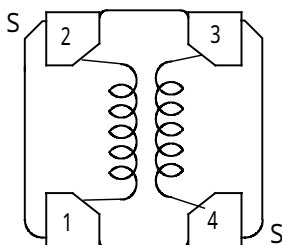


**Type: CLS3D23**
*Preliminary*
**Product Description**

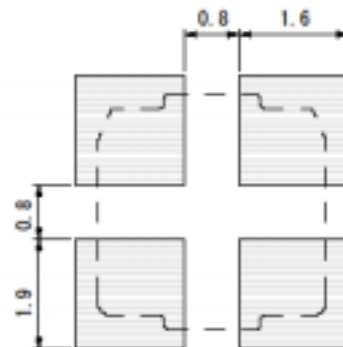
- 5.0 × 3.8mm Max.(L × W), 2.5mm Max. Height.
- 4 Terminal pins' type gives a flexible design as inductors or transformers (SEPIC,ZETA circuit).
- Custom design is available.


**Feature**

- Max. Operating frequency 1MHz, Max.
- 2 in 1 Coils for high efficient up-down DC-DC converters (SEPIC, Zeta circuits to be used).
- Can be also used as DC-DC converter inductors.
- Ideally used in the power supply for DSC、Note PC、DVC and W-LED backlighting.
- RoHS Compliance

**Dimensions (mm)**

**Schematics (Bottom)**


"S" indicates winding start.

**Land Pattern (mm)**


**Type: CLS3D23**
**Specification**

Part No.	Stamp	Inductance [ Within ]	Saturation Current ( A ) (at 20 ) 1				Temperature Rise current (A) 2	
			(1,4-2,3)		(2-3) (1,4 Short)		(1,4-2,3)	(2-3) (1,4 Short)
			at20	At100	at20	at100		
CLS3D23NP-1R0N	A	1.0 μH ± 30%	2.18	1.84	1.05	0.89	2.11	1.18
CLS3D23NP -1R5N	B	1.5μH±30%	1.92	1.62	0.91	0.80	2.06	0.97
CLS3D23NP -2R2N	C	2.2μH±30%	1.71	1.51	0.90	0.75	1.89	0.81
CLS3D23NP -3R3N	D	3.3μH±30%	1.42	1.21	0.66	0.63	1.47	0.72
CLS3D23NP -4R7N	E	4.7μH±30%	0.97	0.91	0.47	0.44	1.36	0.54
CLS3D23NP -7R4N	F	7.4μH±30%	0.85	0.64	0.43	0.37	0.99	0.49
CLS3D23NP -100N	G	10μH±30%	0.70	0.59	0.36	0.32	0.94	0.38

**Description Of Part Name**

CLS3D23NP -1R0N

	B	Box
	C	Carrier Tape

1. Saturation Current: The DC current at which the inductance decreases to 90% of it's nominal value.
2. Temperature rise current: The DC current at which the temperature rise is  $t = 40$  . ( $T_a = 20$  ).