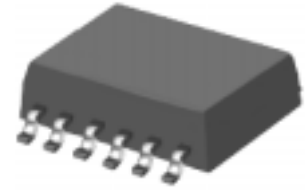
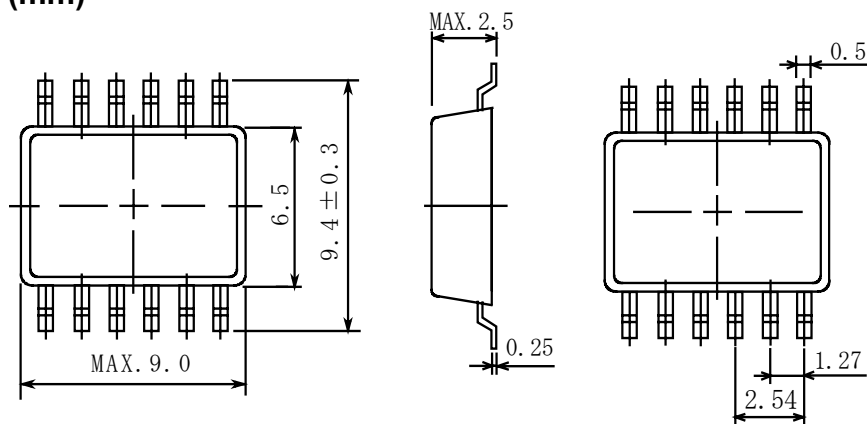


**Type: CLP82**
**◆ Product Description**

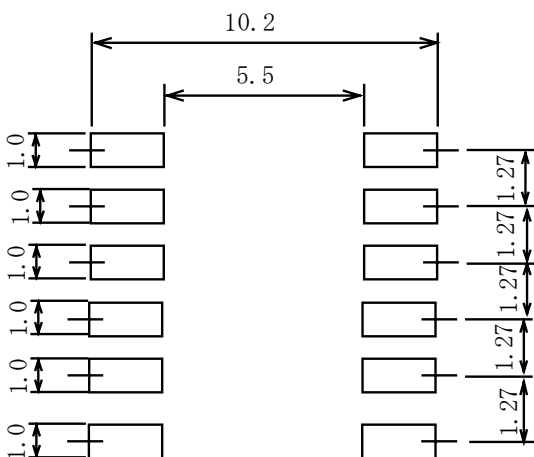
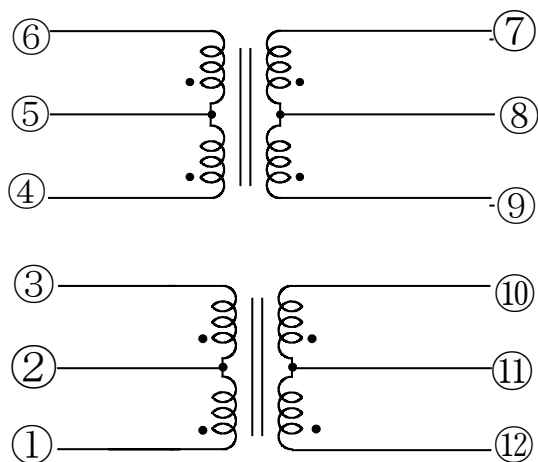
- 9.0×9.7mm Max.(L×W), 2.5mm Max. Height .


**◆ Feature**

- One common mode choke or pulse transformer is stored in it.
- Ideally used in PCMCIA card.
- RoHS Compliance

**◆ Dimensions (mm)**


- \* Pin pitch shall be measured at the root of terminal.
- \* Dimension does not include solder used on coil.

**◆ Land Pattern (mm)**

**◆ Schematics (Bottom)**


Mark “•” is Polarity

**Type: CLP82**
**◆ Specification**

	Between (1-3), (4-6), (7-9), (10-12)	Measuring Conditions
1 .Sine Wave Inductance	400 $\mu$ H(REF.)	100kHz, 20mVrms
2 . Interwinding Capacity	MAX.10.0pF	100kHz, 20mVrms
3 .Leakage Inductance	MAX.2.5 $\mu$ H	100kHz, 20mVrms
4.D.C.R.	MAX.0.7 $\Omega$	at 20°C
5 .Hi-Pot	AC 1500Vrms for 1 minute	50Hz or 60Hz

**※LEAKAGE INDUCTANCE MEASURING**

(10-12) to be short connected when the leakage inductance(1-3) is measured.

(7-9) to be short connected when the leakage inductance(4-6) is measured.

(4-6) to be short connected when the leakage inductance(7-9) is measured.

(1-3) to be short connected when the leakage inductance(10-12) is measured.