

Type: CER3010

◆ **Product Description**

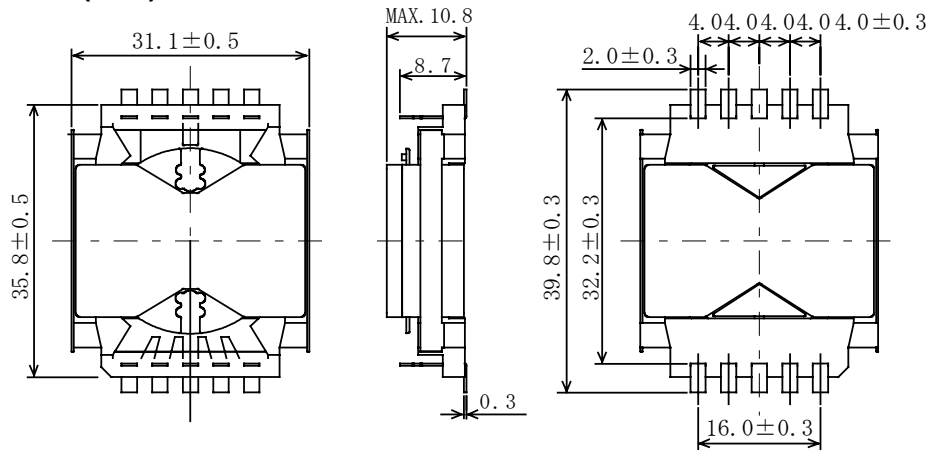
- 36.3×31.6mm Max.(L×W), 10.8mm Max.(Height)
- In addition to the typical versions of parameters shown here, custom parameters are available to meet your exact requirements.



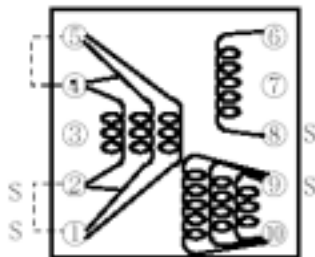
◆ **Feature**

- Max. Operating frequency 500kHz,Max. Operating Power 35.0W(100kHz).
- Ideally used in Portable equipment.
- RoHS Compliance

◆ **Dimensions (mm)**



◆ **Schematics (Bottom)**



“S” indicates winding start.

◆ **Specification**

Sample No.	Inductance (6-8) 1kHz/1V	Inductance (9-10) 1kHz/1V	D.C.R. (6-8) Max.	Temperature rise current (A)(1,2-4,5)	DC saturation current (A)(1,2-4,5)
4366-T016	940 μ H±20%	250 μ H±20%	4.25 Ω	8.0	12.0