

Ceramic Singlelayer Feed-Through Capacitors 400V_{DC}

DESIGN:

Feed-through capacitor, bushing-mount type

RATED VOLTAGE U_R:

 400V_{DC} (280V_{RMS})

DIELECTRIC STRENGTH BETWEEN LEADS:

 1250V_{DC} 1s

DISSIPATION FACTOR tan δ:

Ceramic Class 1: see General Information

 Ceramic Class 2: $\leq 25 \cdot 10^{-3}$
INSULATION RESISTANCE R_{is}:

 Ceramic Class 1: $\geq 1 \cdot 10^{10}\Omega$

 Ceramic Class 2: $\geq 5 \cdot 10^9\Omega$
CATEGORY TEMPERATURE RANGE ϑ_A :

Ceramic Class 1: (- 55 to + 125)°C

Ceramic Class 2: (- 25 to + 85)°C

PERMISSIBLE REACTIVE POWER:

5.4VAr (Class 2), 100VAr (Class 1B,1F)

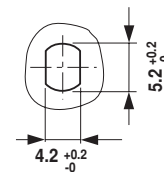
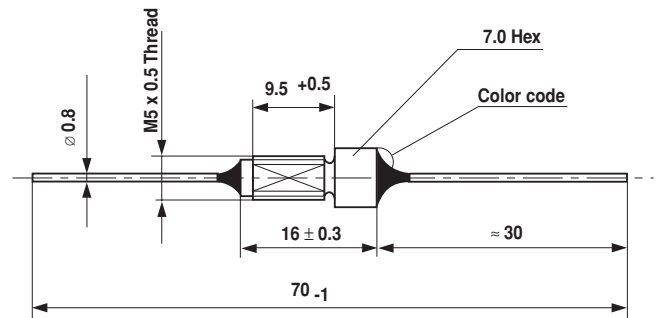
DIRECT CURRENT I_{DC}:

10A

MAXIMUM PERMISSIBLE TORQUE:

0.6 Nm (clearance hole mounting)

0.4 Nm (threaded hole mounting)



• Dimensions in mm

**Recommended
Mounting Hole**
PERMISSIBLE POWER LOSS:

150mW

MARKING:

 Capacitance value, Tolerance letter,
Ceramic dielectric color code

MOUNTING HARDWARE:

A threaded nut (7.0 HEX) is supplied in bulk

| CLASS | CERAMIC DIELECTRIC | CAPACITANCE VALUES (pF) | TOLERANCE |
|--------|--------------------|-------------------------|------------------------|
| 1B | P 100 | 47 | ± 10%, ± 20% |
| | N 470 | 68 | |
| | | 75 | |
| 1F | N 750 | 100 | |
| | | 150 | |
| | | 200 | |
| | | 220 | |
| | | 240 | |
| 2 | R 700 | 330 | ± 20%, - 20 + 50% |
| | | 470 | |
| | | 680 | |
| | | 1000 | |
| | | 1500 | |
| | | 2200 | |
| | R 2000 | 1500 | - 20 + 50%, - 20 + 80% |
| R 4000 | 3300 | | |
| R 6000 | 4700 | | |

• other capacitance values are available on request

ORDERING INFORMATION

| | | | | |
|-----------|--------------------|--------|------------|--------|
| DDML 0315 | 400V _{DC} | 4700pF | - 20 + 80% | R 6000 |
|-----------|--------------------|--------|------------|--------|