



AKD4387-SB

AK4387 Evaluation board Rev.0

General Description

The AKD4387-SB is an evaluation board for AK4387, which is 192kHz sampling 24Bit $\Delta\Sigma$ DAC. The AKD4387-SB includes a LPF which can add differential analog outputs from the AK4387 and also has a digital interface. Therefore, it is easy to evaluate the AK4387.

■ **Ordering Guide**

AKD4387-SB --- Evaluation board for AK4387

Function

- On-board Analog output buffer circuit
- On-board digital audio interface. (AK4113)

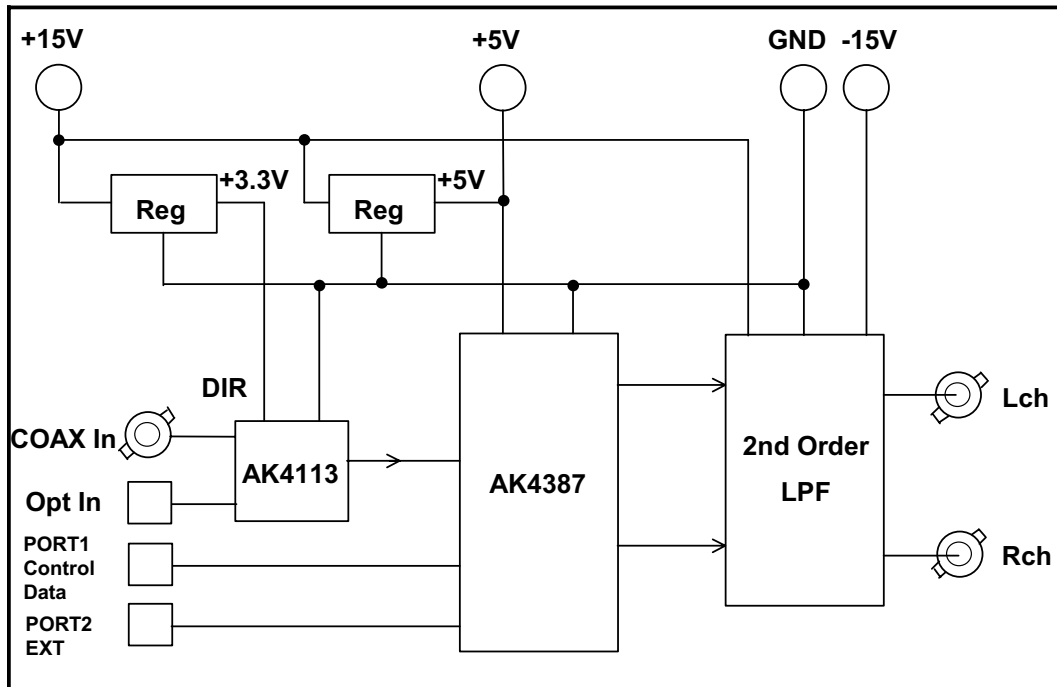


Figure 1. AKD4387-SB Block diagram

* Circuit diagram are attached at the end of this manual.

COAX is recommended for an evaluation of the Sound quality.

■ Operation sequence

1) Set up the power supply lines. (See “Other jumpers set-up”.)

Name	Color	Voltage	Comments	Attention
+15V	Green	+12~+15V	For regulator and op-amps.	This jack should be always connected to power supply.
-15V	Blue	-12~-15V	For op-amps.	This jack should be always connected to power supply.
5V	Red	+4.75~+5.25V	For AK4387.	This jack should be always connected to power supply.
AGND	Black	0V	GND	This jack should be always connected to power supply.

Table 1. Set up of power supply lines

Each supply line should be distributed from the power supply unit.

- 2) Set-up the jumper pins
- 3) Set-up the DIP switches. (See the followings.)
- 4) Power on

The AK4387 should be reset once by bringing SW4 (PDN) “L” upon power-up.

■ Evaluation mode

1. DIR (COAX) (default)

It is possible to evaluate the AK4387 by using CD disk. The DIR generates MCLK, BICK, LRCK and SDATA from the received data through RCA connector (J3). Setting of jumper is shown below.

COAX is recommended for an evaluation of the Sound quality.

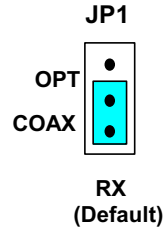


Figure 2. Jumper setting, when using DIR

2. DIR (Optical Link)

It is possible to evaluate the AK4387 by using CD disk. The DIR generates MCLK, BICK, LRCK and SDATA from the received data through optical connector (PORT3: TORX173). Setting of jumper is shown below.

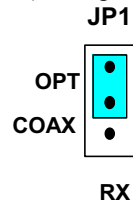


Figure 3. Jumper setting, when using DIR

3. All clocks are fed through the PORT2.

R1, R2, R3, R4 : open

R26, R27, R28, R30 : 100Ω or short (0Ω)

■ DIP Switch setting

[SW1]: AK4387 setting

No.	Pin	SW1 OFF	SW1 ON	Default
1	SMUTE	-	-	OFF
2	P/S	Serial Control mode	Parallel Control mode	OFF
3	ACKS	-	-	OFF
4	DIF0	-	-	OFF

Table 2. SW1 setting

[SW2]: AK4387 setting

No.	Pin		Default
1	-	NC	OFF
2	-	NC	OFF
3	DEM	NC	OFF
4	DIF1	NC	OFF

Table 3. SW2 setting

[SW3]: AK4113 setting

No.	Pin	OFF	ON	Default
1	OCKS1	AK4113 Master Clock setting Refer to Table4		ON
2	OCKS0			OFF

Table 4. SW3 setting

The frequency of the master clock output is set by OCKS0 and OCKS1 as shown in Table 4.

OCKS1	OCKS0	MCLK Frequency	Default
0	0	256fs @fs=88.2/96kHz	
1	0	512fs @32/44.1/48kHz	
1	1	128fs @176.4/192kHz	

Table 5. MCLK Clock

The digital de-emphasis filter is set by DEM pin as follows.

DEM SW	DEM pin state	De-emphasis Filter	Default
OFF	1	ON	
ON	0	OFF	

Table 6. De-emphasis Filter Control

Data is shifted in via the SDTI pin using BICK and LRCK inputs. The DIF0-1 as shown in Table 7 can select four serial data modes.

Mode	DIF1 SW	DIF0 SW	DIF1 pin state	DIF0 pin state	SDTI Format	BICK	Default
0	ON	ON	0	0	16bit LSB justified	≥32fs	
1	ON	OFF	0	1	24bit LSB justified	≥48fs	
2	OFF	ON	1	0	24bit MSB justified	≥48fs	
3	OFF	OFF	1	1	16/24bit I ² S Compatible	≥48fs or 32fs	

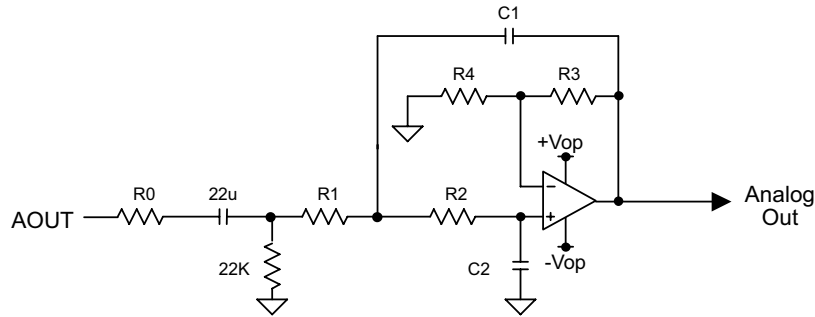
Table 7. Audio Data Formats

■ **Toggle switch setting**

[SW4](PDN): Reset of AK4387. Select "H" during operation.

■ External Analog Circuit

The 2nd order LPF (fc=125.6kHz, Q=0.753) which adds differential outputs of the AK4387 is implemented on the board. When the further attenuation of the out-band noise is needed, some additional LPF is required. Analog signal is output through BNC connectors on the board. And the output level of the AK4387 is 5.67Vpp@5V.



fc=125.6kHz, Q=0.753, g=0.060dB at 40kHz

Figure 4. External Analog Filter

R ₀	R ₁	R ₂	R ₃	R ₄	C ₁	C ₂
910	1.8k	3.9k	3.3k	3.9k	390p	390p

Table 8. The value of R,C on this board

f _{in}	20kHz	40kHz	80kHz
Frequency Response	0.023dB	0.060dB	-0.288dB

Table 9. Frequency Response of LPF

<Calculation>

$$\text{Amplitude} = 20 \log \frac{K}{\sqrt{[1-(f/f_c)^2]^2 + [(1/Q)(f/f_c)]^2}} \text{ [dB]},$$

$$K = \frac{R_3 + R_4}{R_4},$$

$$f_c = \frac{\omega_0}{2\pi},$$

$$\omega_0 = \frac{1}{\sqrt{C_1 C_2 R_1 R_2}},$$

$$Q = 2\pi f_c \frac{1}{\frac{1}{C_1 R_1} + \frac{1}{C_1 R_2} + \frac{1-k}{C_2 R_2}}$$

Measurement Results

[Measurement condition]

- Measurement unit : Audio Precision System two Cascade (AP2)
- MCLK : 512fs (44.1kHz), 256fs (96kHz), 128fs (192kHz)
- BICK : 64fs
- fs : 44.1kHz, 96kHz, 192kHz
- Bit : 24bit
- Power Supply : VDD=5V
- Interface : Internal DIR (44.1kHz, 96kHz, 192kHz)
- Temperature : Room

fs=44.1kHz

Parameter	Input signal	Filter condition	Lch	Rch
S/(N+D)	1kHz, 0dB	20kLPF	89.9dB	90.3dB
	1kHz, -60dB	20kLPF	105.6dB	105.6dB
DR	1kHz, -60dB	20kSPCL, A-weighted	105.8dB	105.8dB
S/N	“0” data	20kLPF	104.3dB	104.8dB
	“0” data	20kSPCL, A-weighted	106.8dB	107.5dB

fs=96kHz

Parameter	Input signal	Filter condition	Lch	Rch
S/(N+D)	1kHz, 0dB	40kLPF	89.7dB	89.7dB
	1kHz, -60dB	40kLPF	106.5dB	106.5dB
DR	1kHz, -60dB	20kSPCL, A-weighted	106.8dB	106.8dB
S/N	“0” data	40kLPF	104.5dB	104.5dB
	“0” data	20kSPCL, A-weighted	107.7dB	107.7dB

fs=192kHz

Parameter	Input signal	Measurement filter	Lch	Rch
S/(N+D)	1kHz, 0dB	40kLPF	85.3dB	85.3dB
	1kHz, -60dB	40kLPF	100.4dB	100.4dB
DR	1kHz, -60dB	20kSPCL, A-weighted	103.8dB	103.5dB
S/N	“0” data	40kLPF	103.7dB	103.7dB
	“0” data	20kSPCL, A-weighted	107.0dB	107.0dB

Plots

(fs=44.1kHz)

AKM

AK4387 FFT
AVDD=DVDD=5V, fs=44.1kHz, MCLK=512fs, 0dBFS input, fin=1kHz

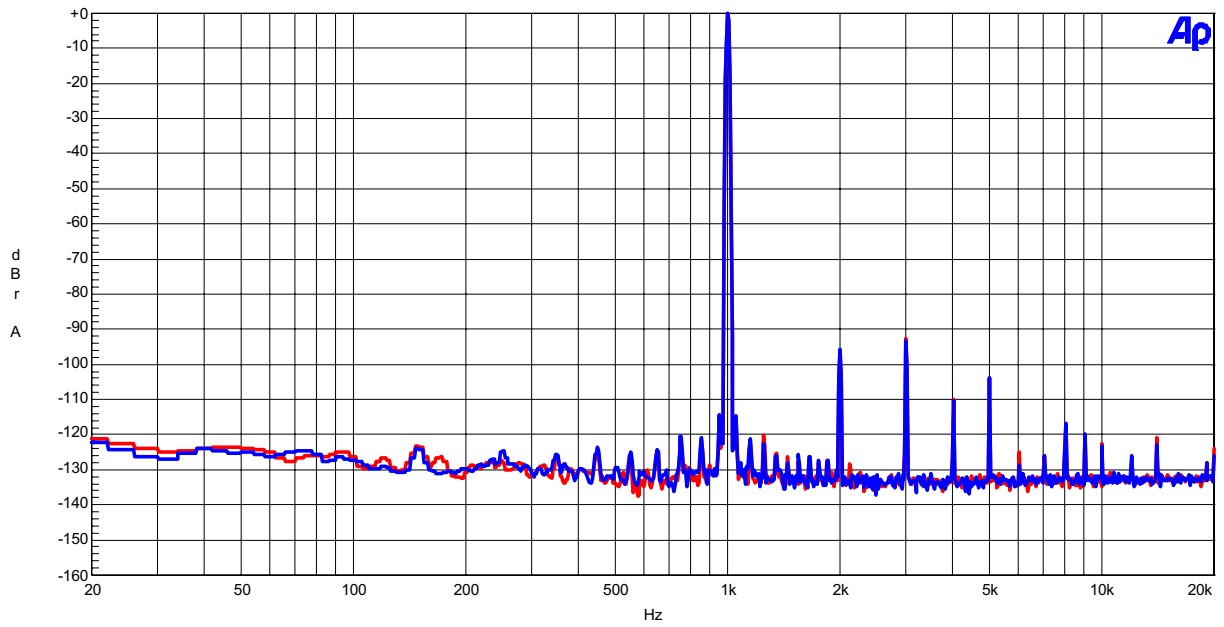


Figure 5. FFT (fin=1kHz, 0dBFS input)

AKM

AK4387 FFT
AVDD=DVDD=5V, fs=44.1kHz, MCLK=512fs, -60dBFS input, fin=1kHz

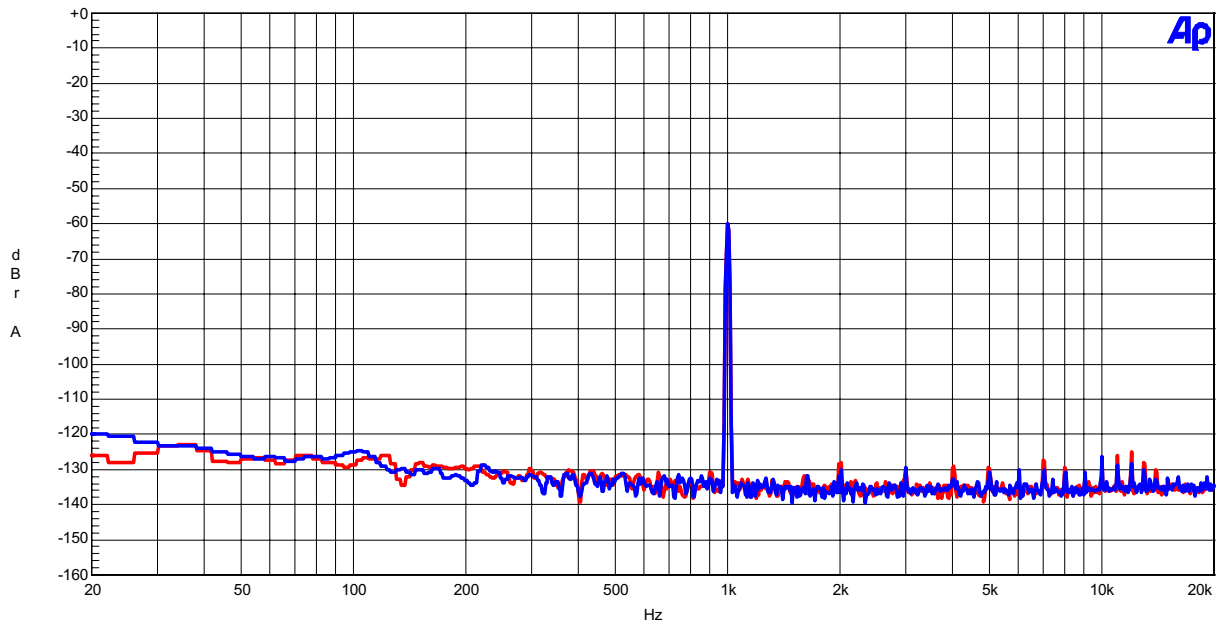


Figure 6. FFT (fin=1kHz, -60dBFS input)

(fs=44.1kHz)

AKM

AK4387 FFT
AVDD=DVDD=5V, fs=44.1kHz, MCLK=512fs, fin=No signal

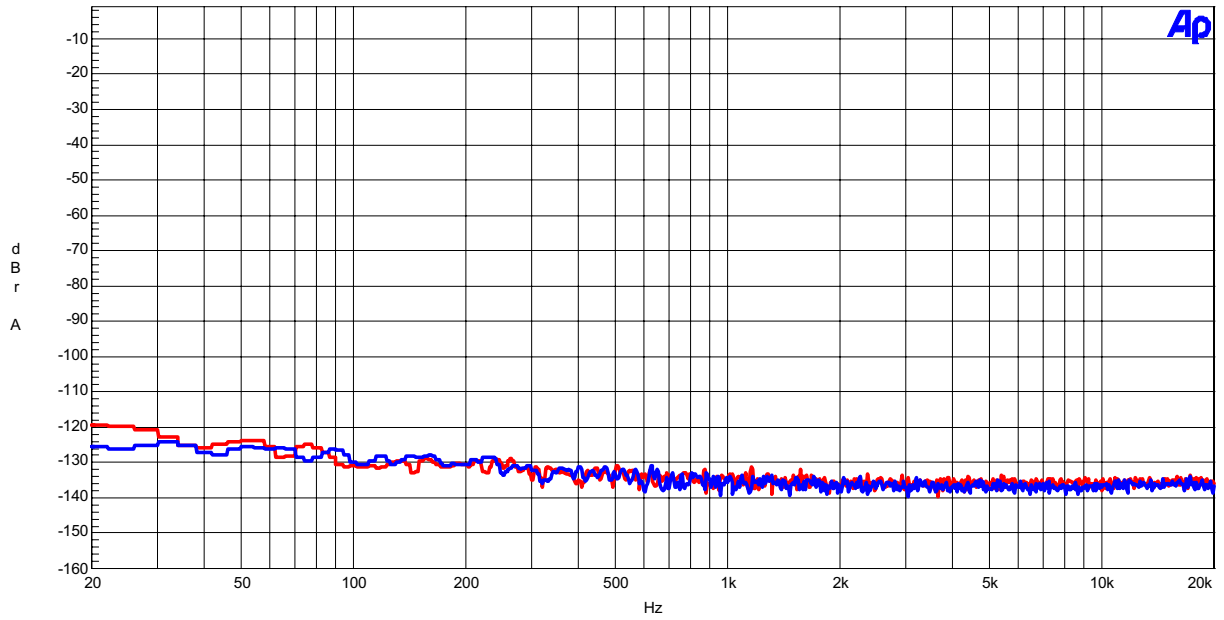


Figure 7. FFT (Noise Floor)

AKM

AK4387 FFT Out-of-band noise
VDD=5V, fs=44.1kHz, MCLK=512fs, fin=No signal

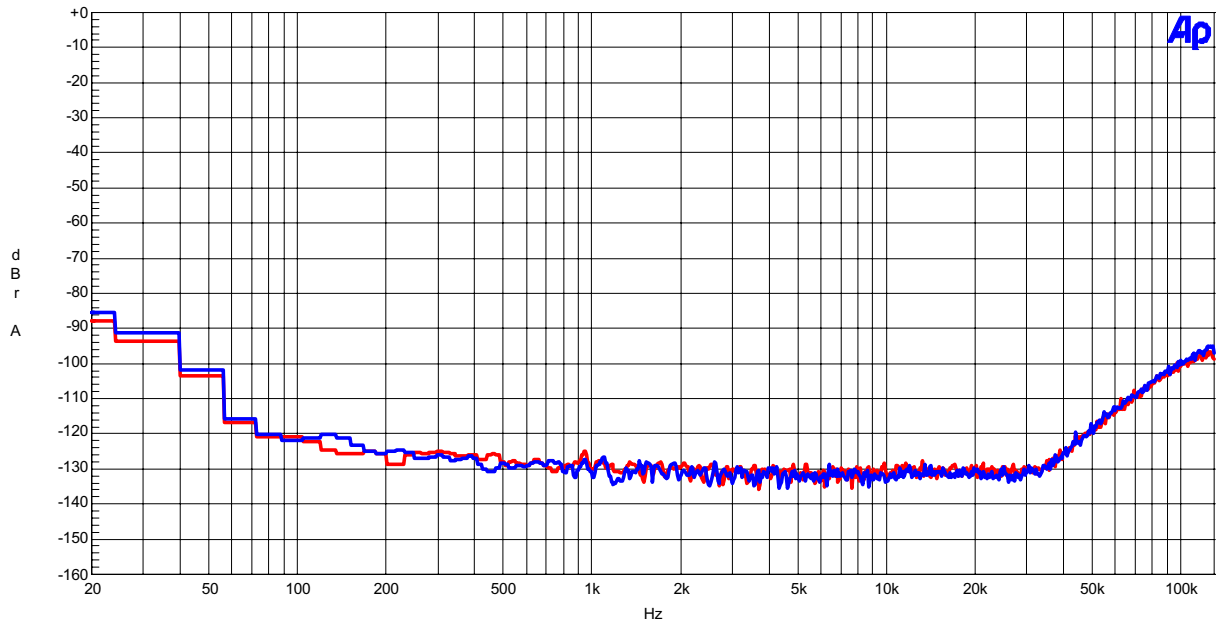


Figure 8. FFT (Out of band noise)

(fs=44.1kHz)

AKM

AK4387 THD+N vs. Input Level
AVDD=DVDD=5V, fs=44.1kHz, MCLK=512fs, fin=1kHz

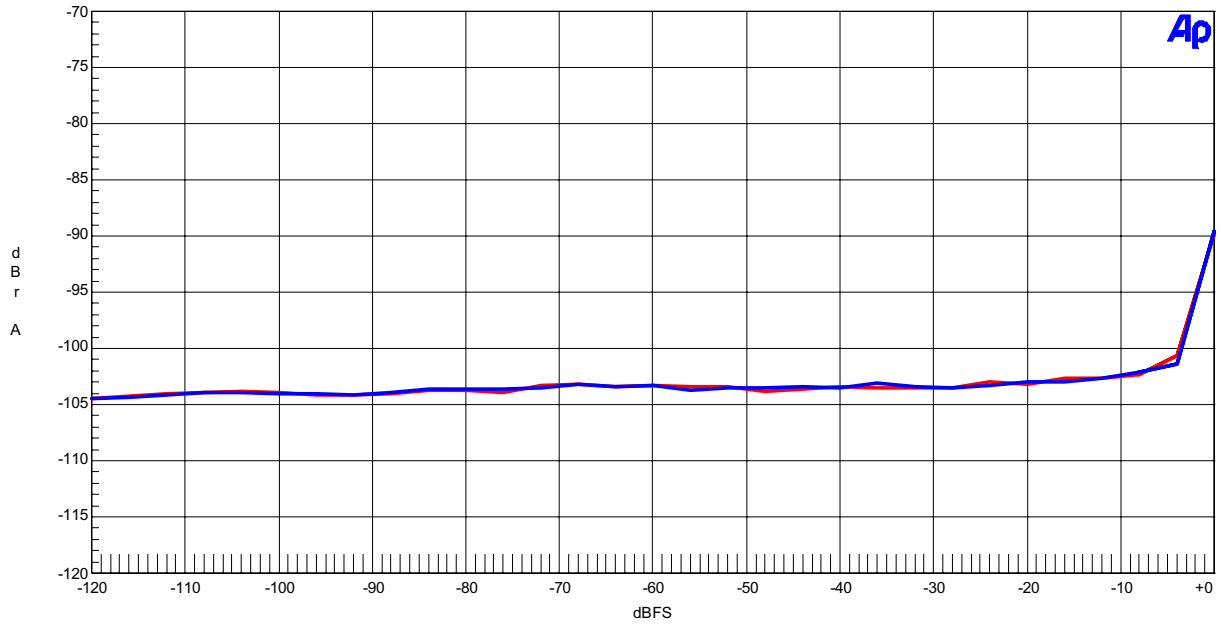


Figure 9 . THD+N vs. Input level (fin=1kHz)

AKM

AK4387 THD+N vs. Input Frequency
AVDD=DVDD=5V, fs=44.1kHz, MCLK=512fs, 0dBFS input

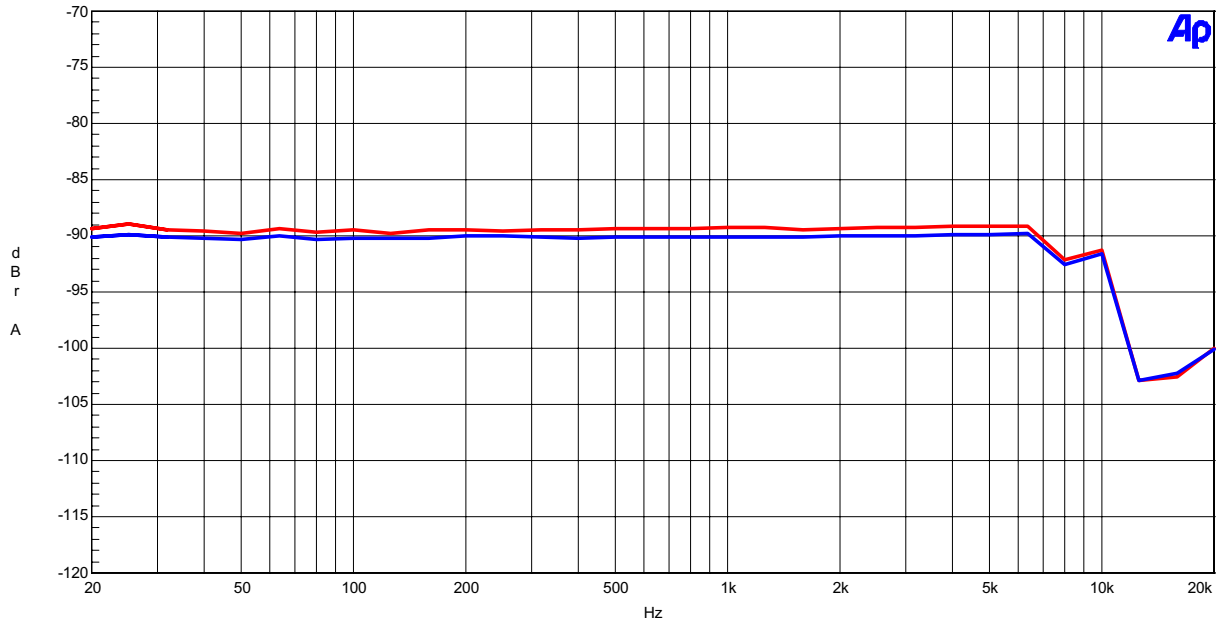


Figure 10 . THD+N vs. Input Frequency (0dBFS input)

(fs=44.1kHz)

AKM

AK4387 Linearity
AVDD=DVDD=5V, fs=44.1kHz, MCLK=512fs, fin=1kHz

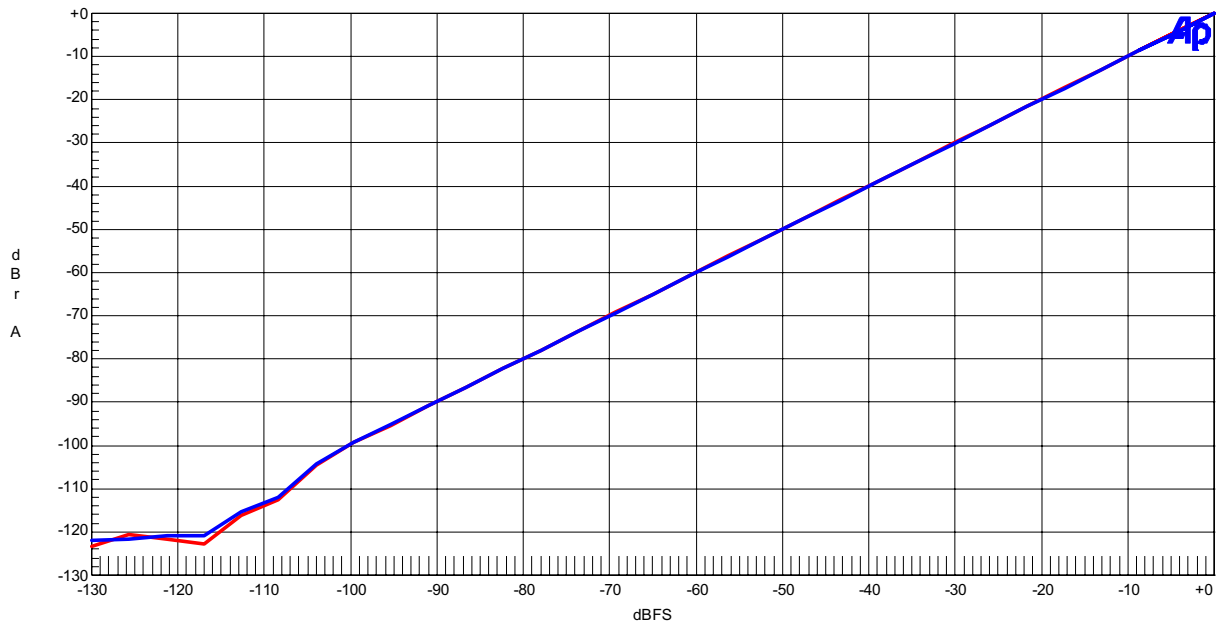


Figure 11. Linearity (fin=1kHz)

AKM

AK4387 Frequency Response
AVDD=DVDD=5V, fs=44.1kHz, 0dBFS input

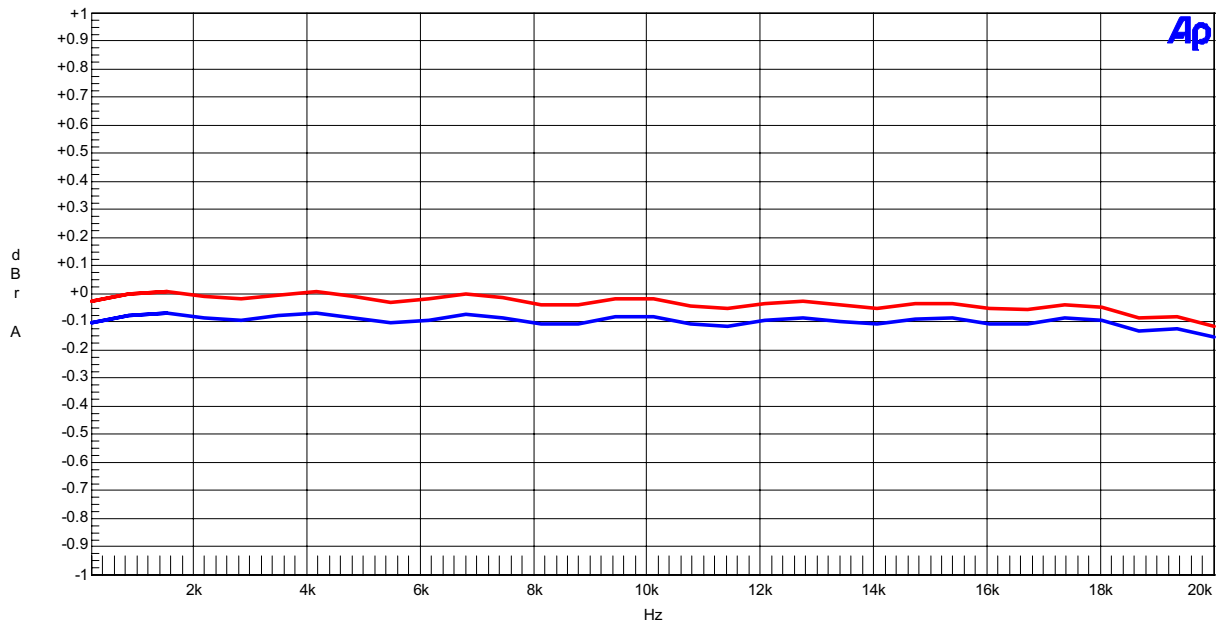


Figure 12. Frequency Response (0dBFS input)

(fs=44.1kHz)

AKM

AK4387 Crosstalk (Red=Lch, Blue=Rch)
AVDD=DVDD=5V, fs=44.1kHz, 0dBFS input

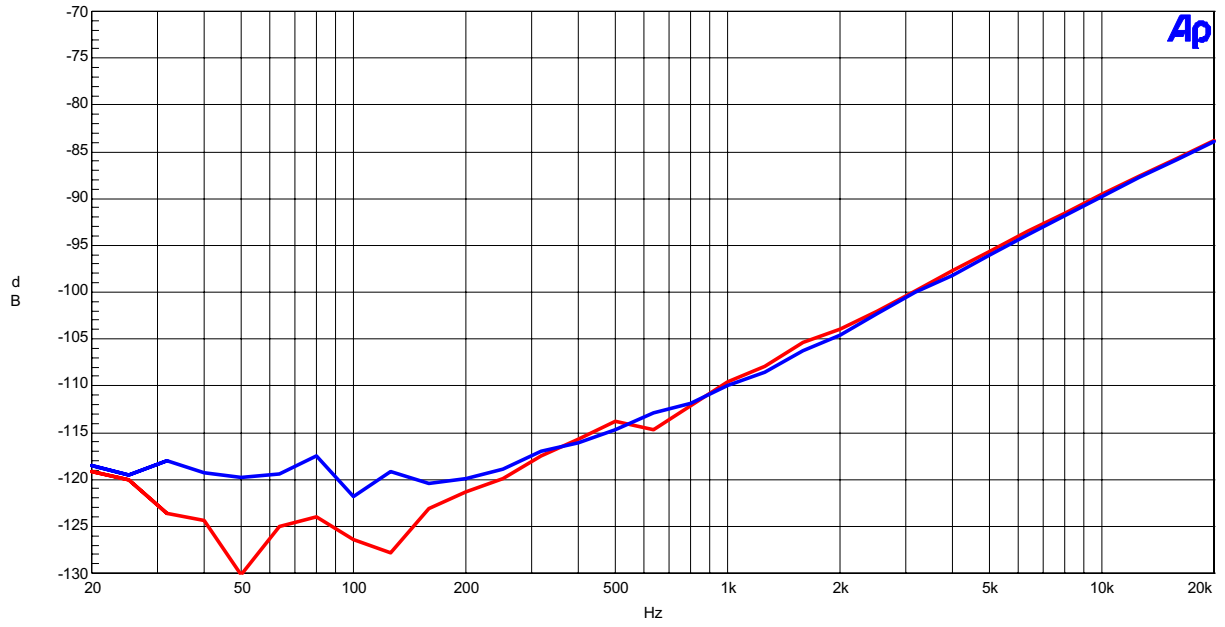


Figure 13. Crosstalk (0dBFS input)

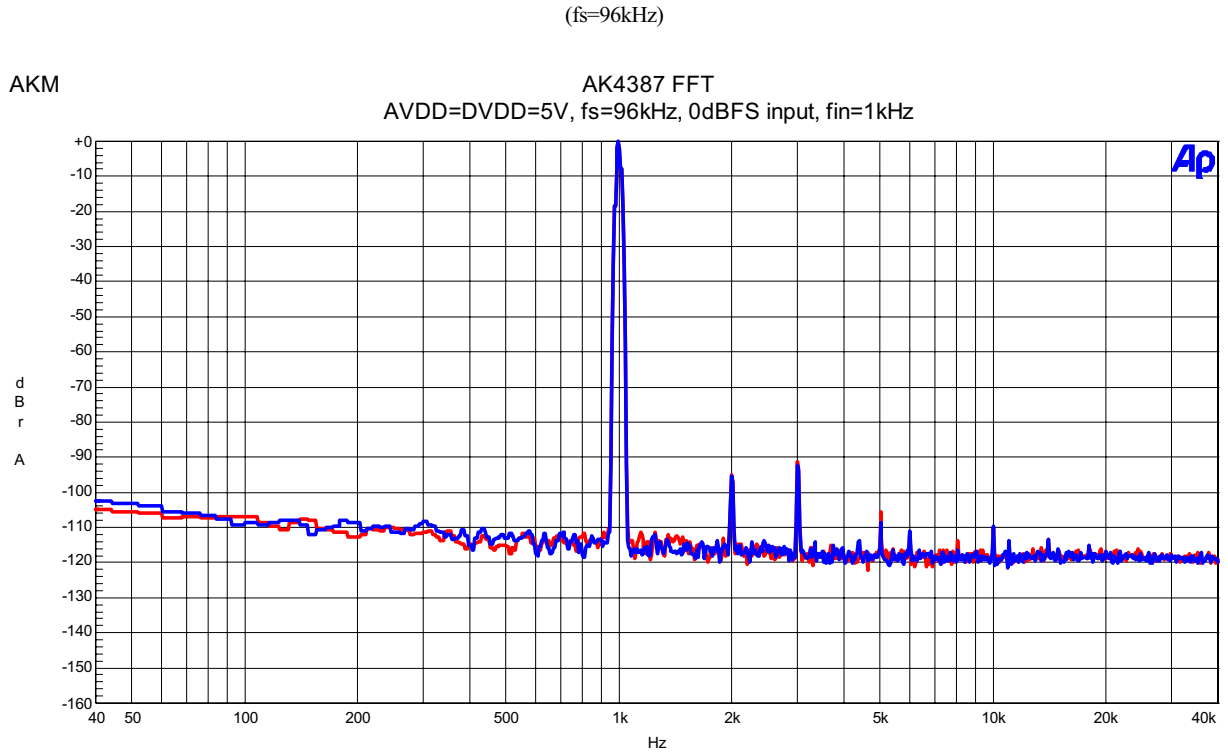


Figure 14. FFT (fin=1kHz, 0dBFS input)

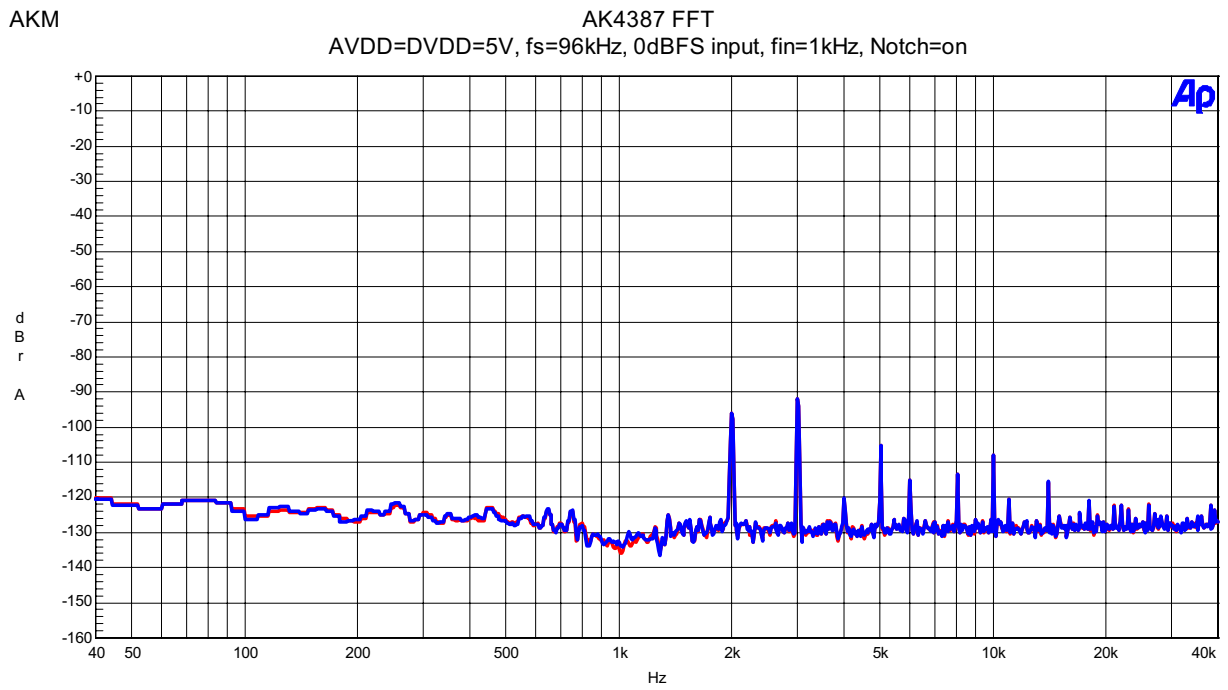


Figure 15. FFT(fin=1kHz, 0dBFS input, Notch)

(fs=96kHz)

AKM

AK4387 FFT
AVDD=DVDD=5V, fs=96kHz, -60dBFS input, fin=1kHz

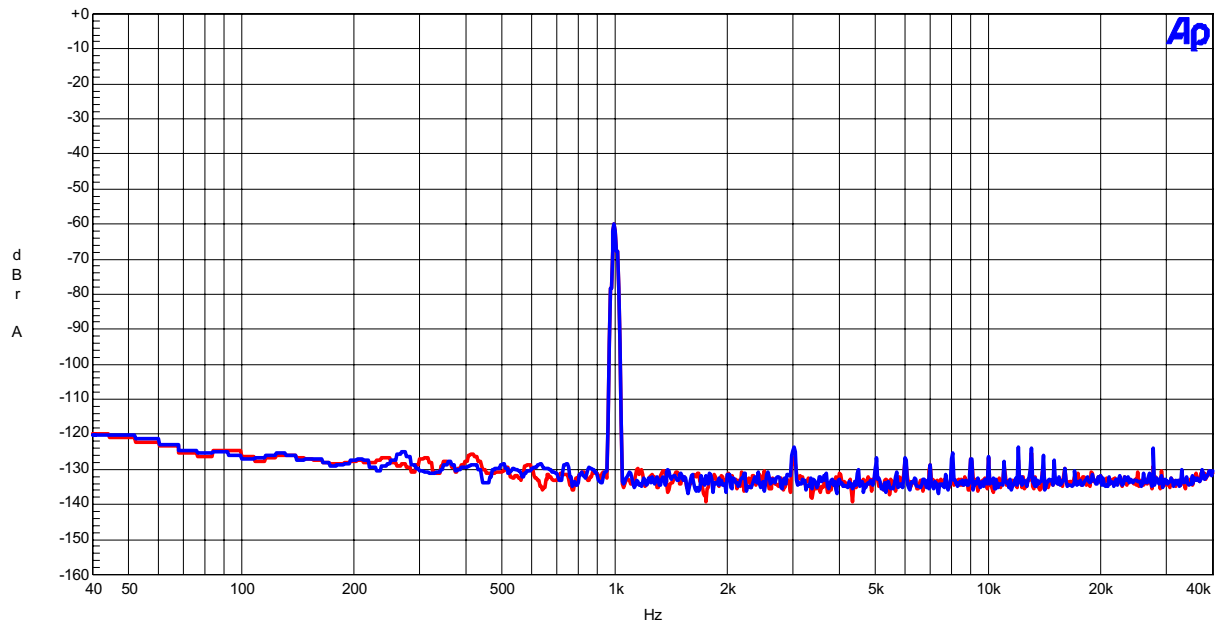


Figure 16. FFT (fin=1kHz, -60dBFS input)

AKM

AK4387 FFT
AVDD=DVDD=5V, fs=96kHz, fin=No signal

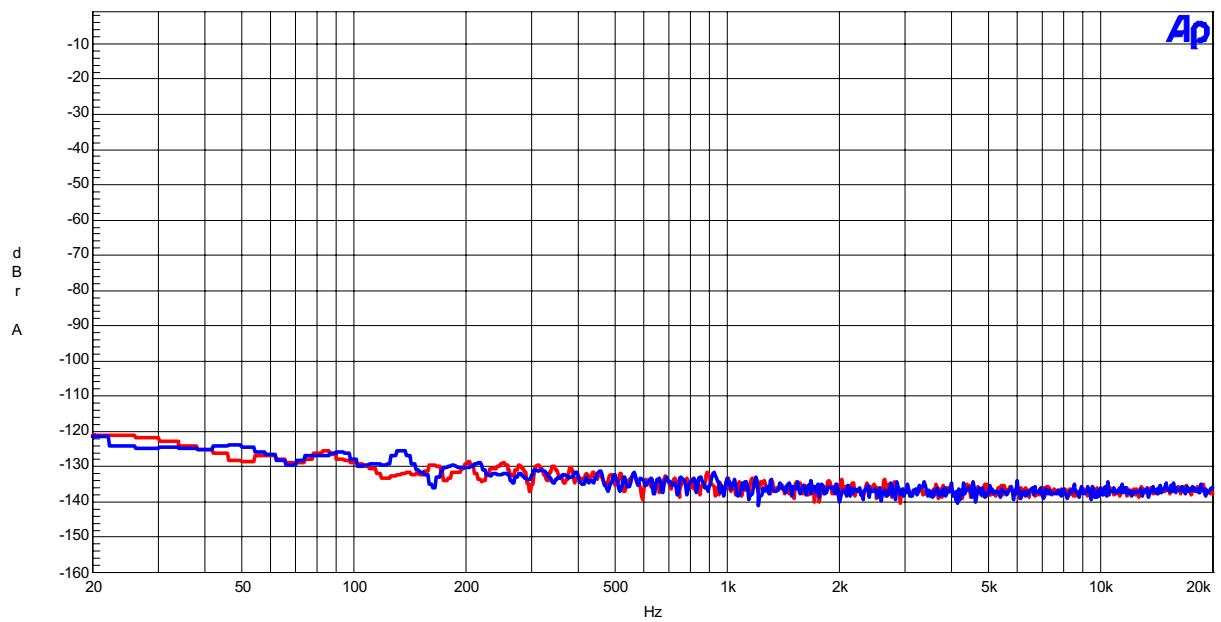


Figure 17. FFT (Noise Floor)

(fs=96kHz)

AKM

AK4387 THD+N vs. Input Level
AVDD=DVDD=5V, fs=96kHz, fin=1kHz

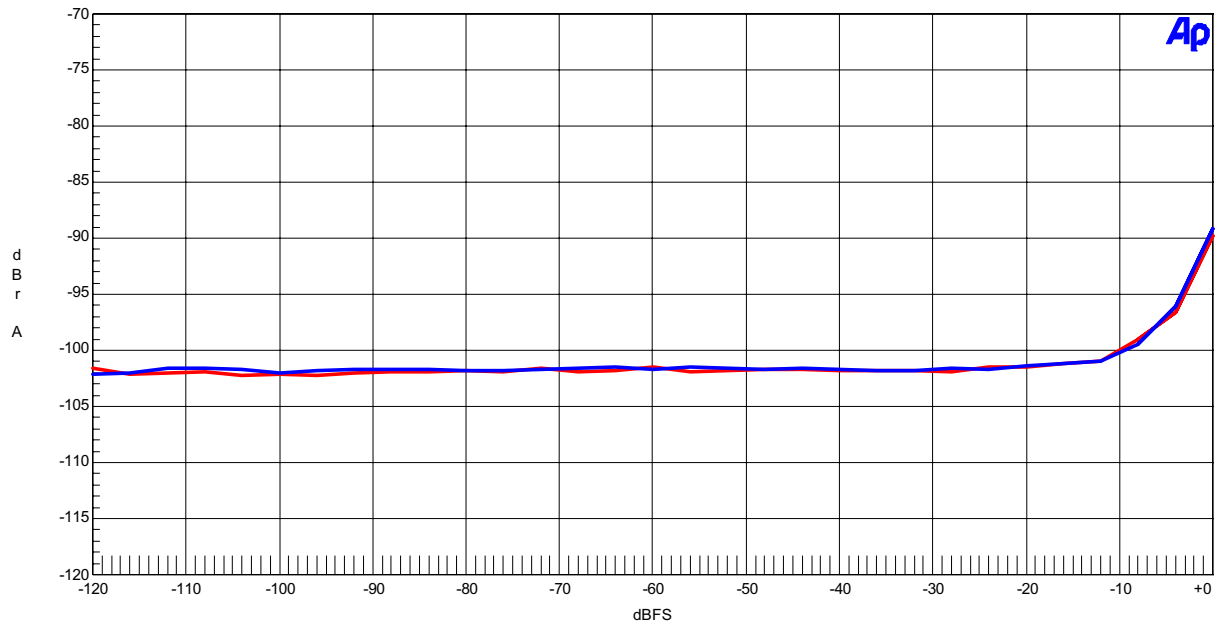


Figure 18. THD+N vs. Input level (fin=1kHz)

AKM

AK4387 THD+N vs. Input Frequency
AVDD=DVDD=5V, fs=96kHz, 0dBFS input

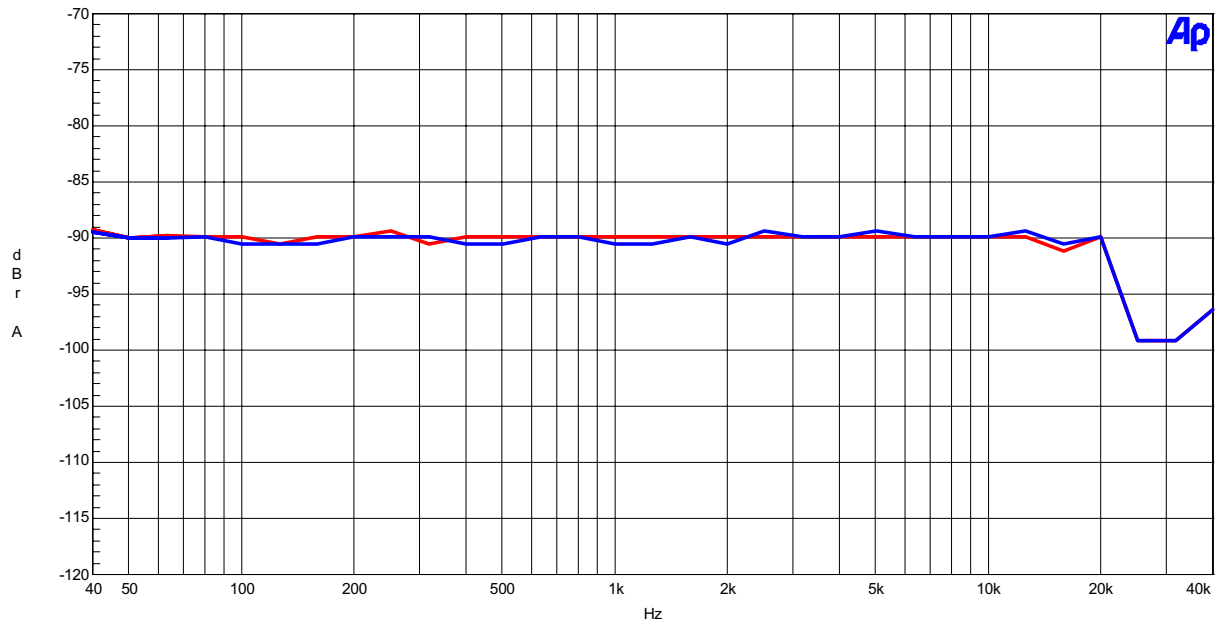


Figure 19. THD+N vs. Input Frequency (0dBFS input)

(fs=96kHz)

AKM

AK4387 Linearity
AVDD=DVDD=5V, fs=96kHz, fin=1kHz

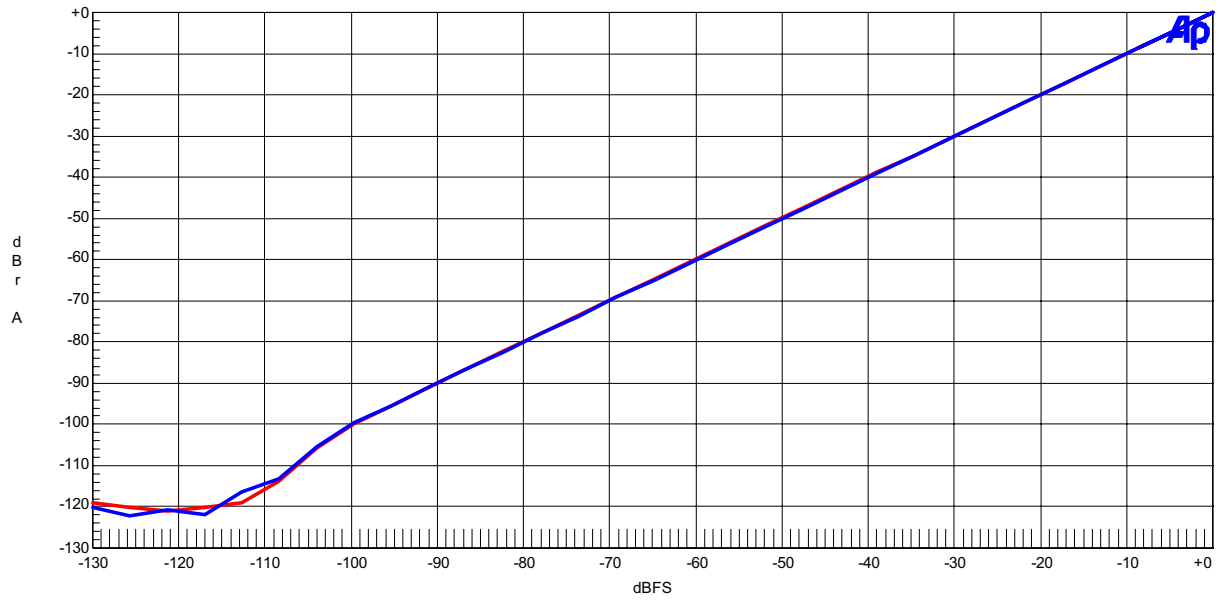


Figure 20. Linearity (fin=1kHz)

AKM

AK4387 Frequency Response
AVDD=DVDD=5V, fs=96kHz, 0dBFS input

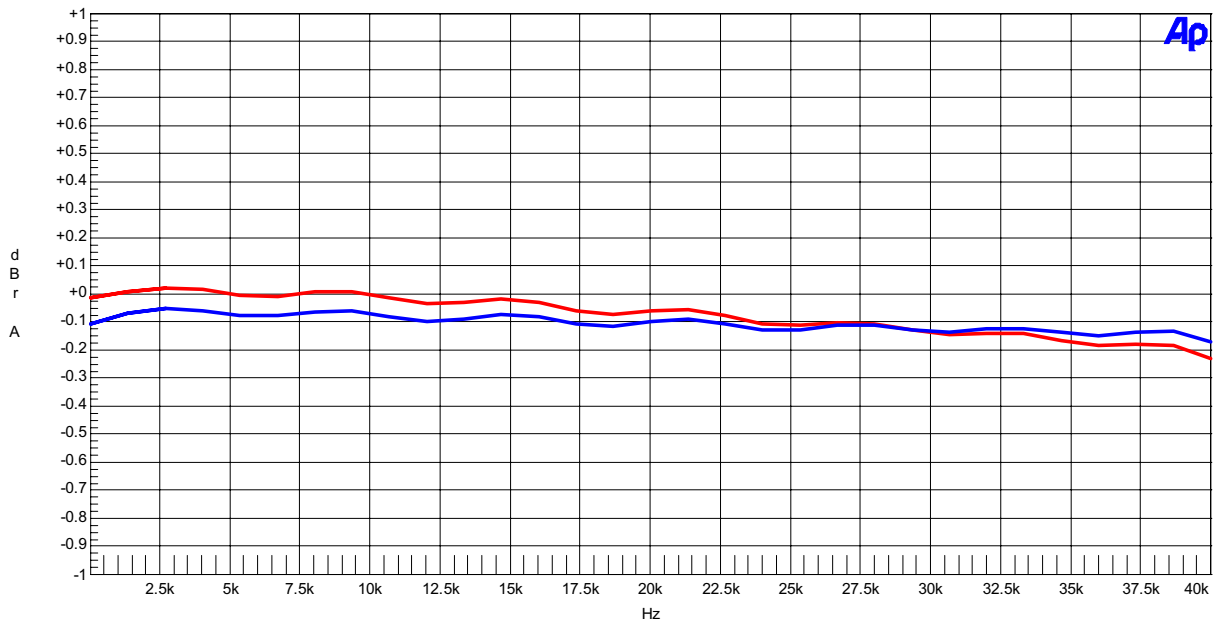


Figure 21. Frequency Response (0dBFS input)

(fs=96kHz)

AKM

AK4387 Crosstalk (Red=Lch, Blue=Rch)
AVDD=DVDD=5V, fs=96kHz, 0dBFS input

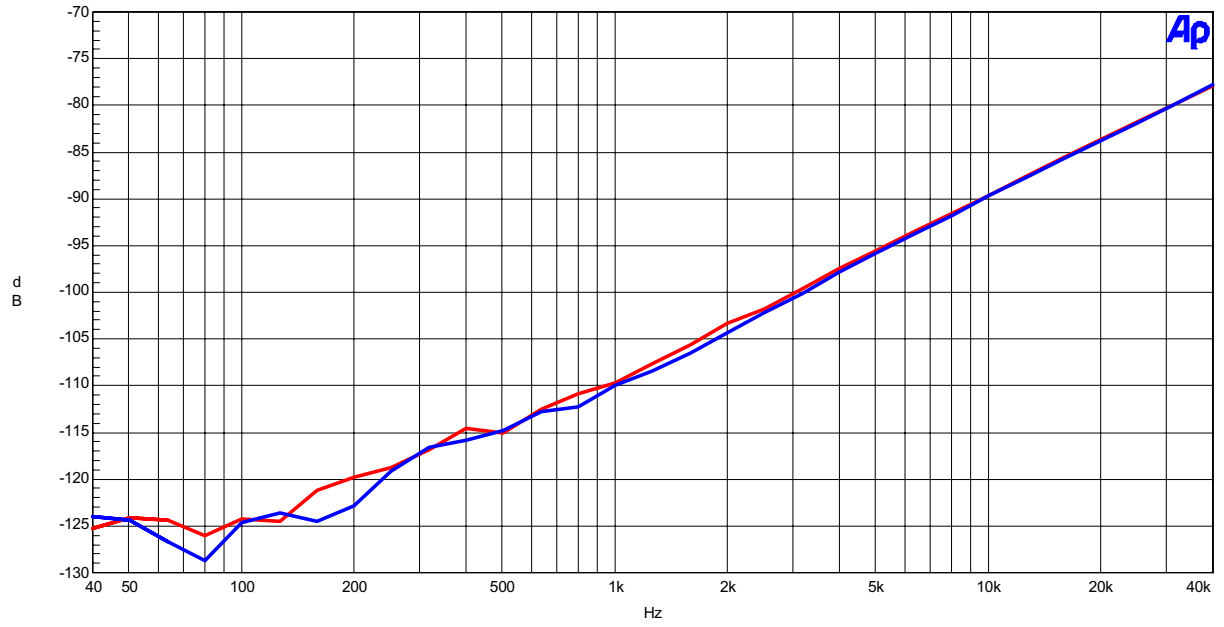


Figure 22. Crosstalk (0dBFS input)

(fs=192kHz)

AKM

AK4387 FFT
AVDD=DVDD=5V, fs=192kHz, 0dBFS input, fin=1kHz

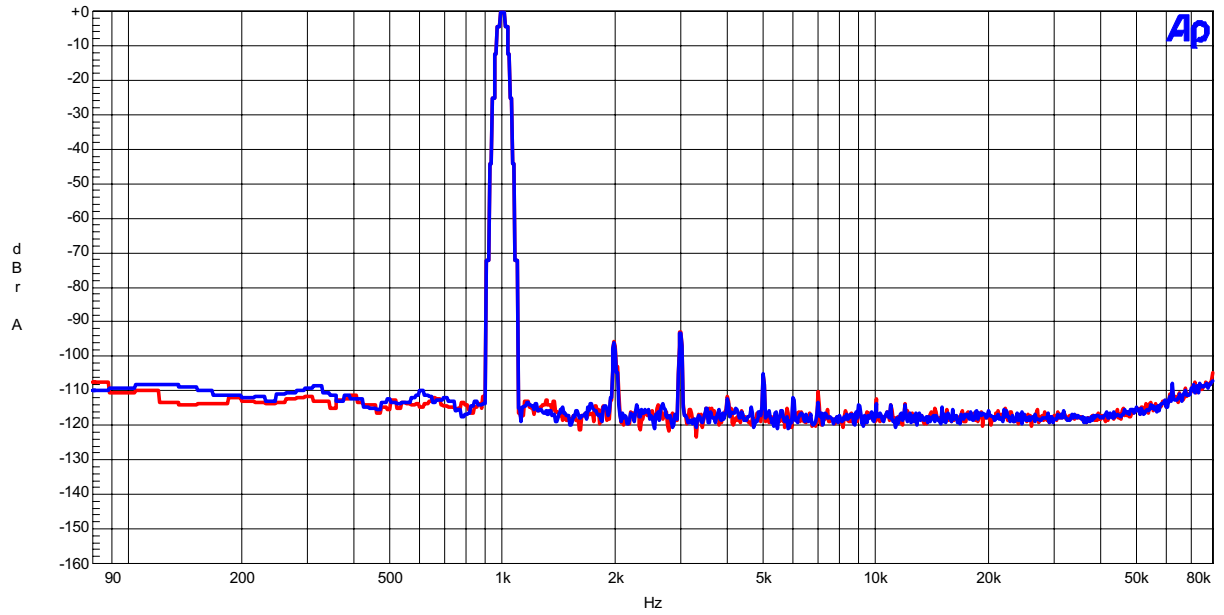


Figure 23. FFT (fin=1kHz, 0dBFS input)

AKM

AK4387 FFT
AVDD=DVDD=5V, fs=192kHz, 0dBFS input, fin=1kHz, Notch=on

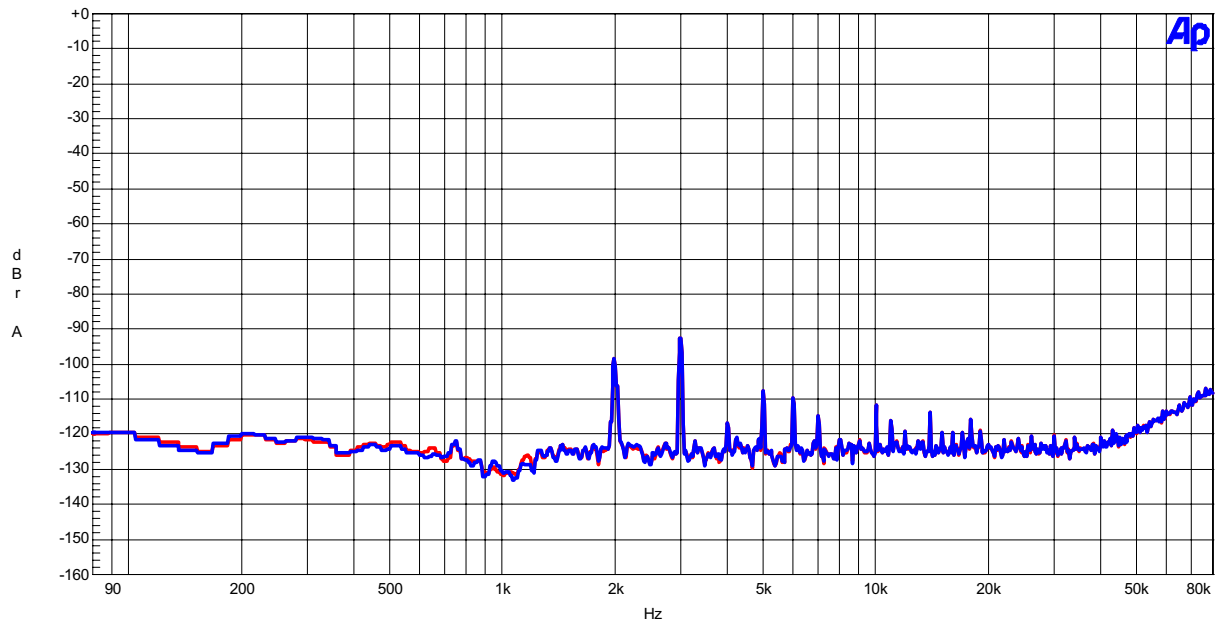


Figure 24. FFT(fin=1kHz, 0dBFS input, Notch)

(fs=192kHz)

AKM

AK4387 FFT
AVDD=DVDD=5V, fs=192kHz, -60dBFS input, fin=1kHz

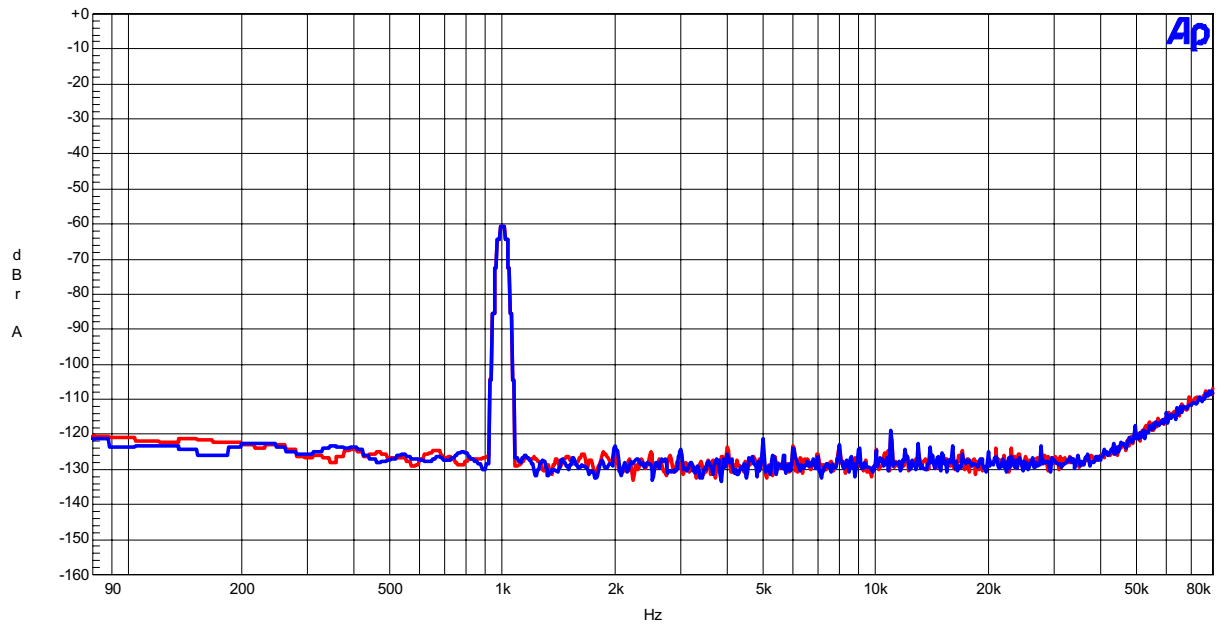


Figure 25. FFT (fin=1kHz, -60dBFS input)

AKM

AK4387 FFT
AVDD=DVDD=5V, fs=192kHz, fin=No signal

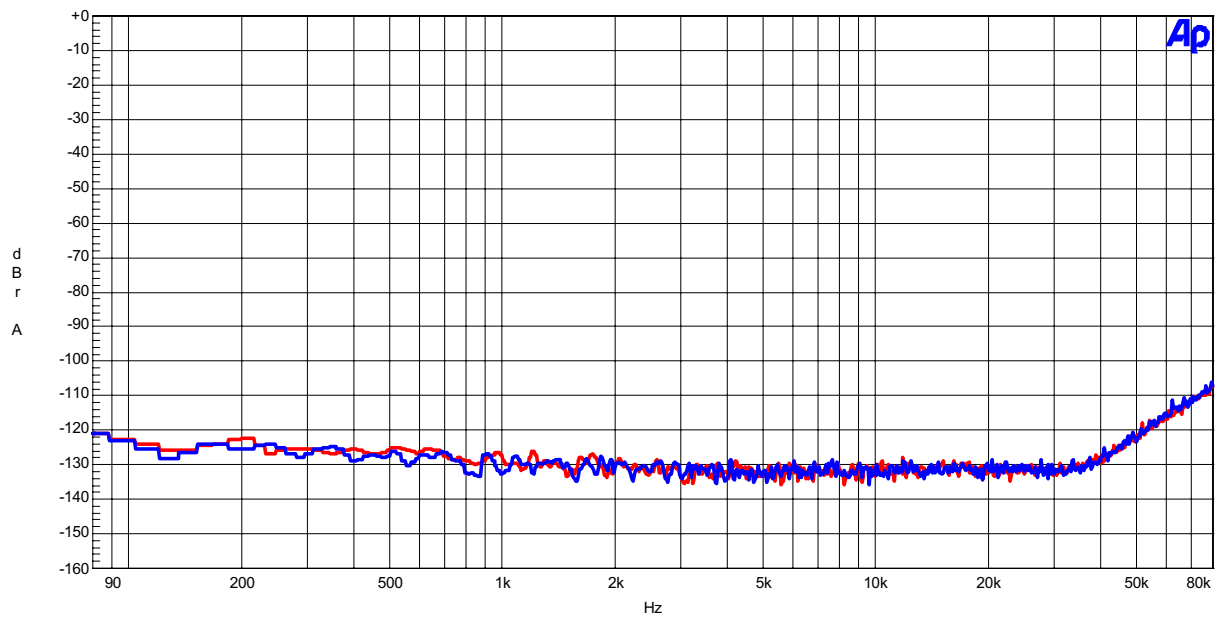


Figure 26. FFT (Noise Floor)

(fs=192kHz)

AKM

AK4387 THD+N vs. Input Level
AVDD=DVDD=5V, fs=192kHz, fin=1kHz

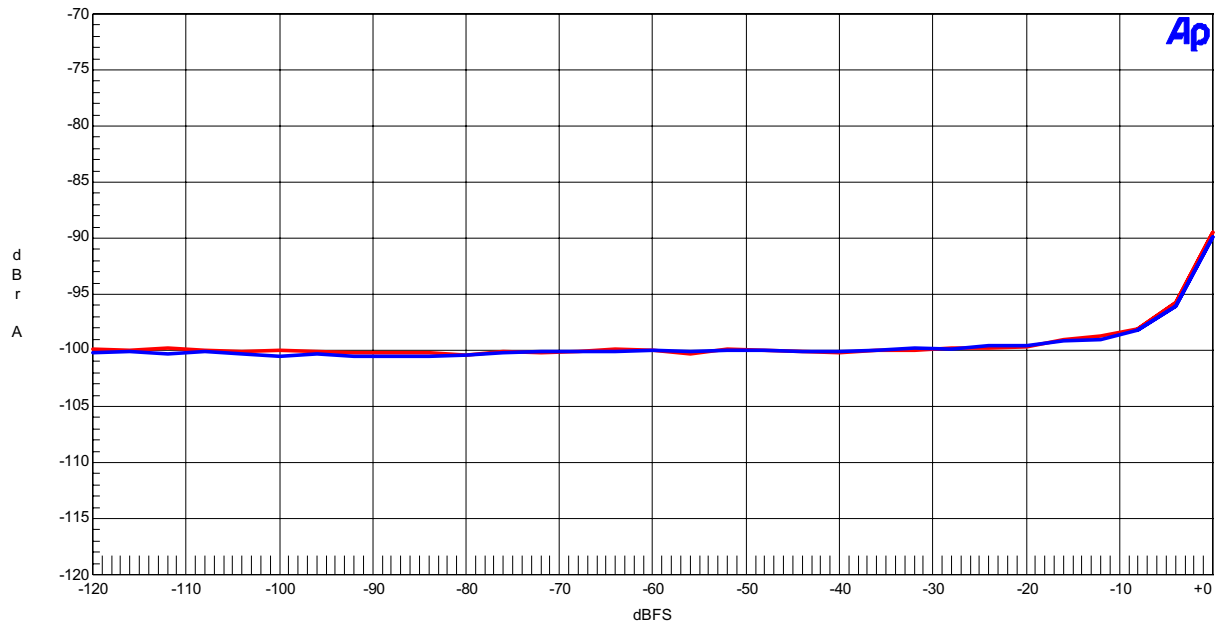


Figure 27. THD+N vs. Input level (fin=1kHz)

AKM

AK4387 THD+N vs. Input Frequency
AVDD=DVDD=5V, fs=192kHz, 0dBFS input

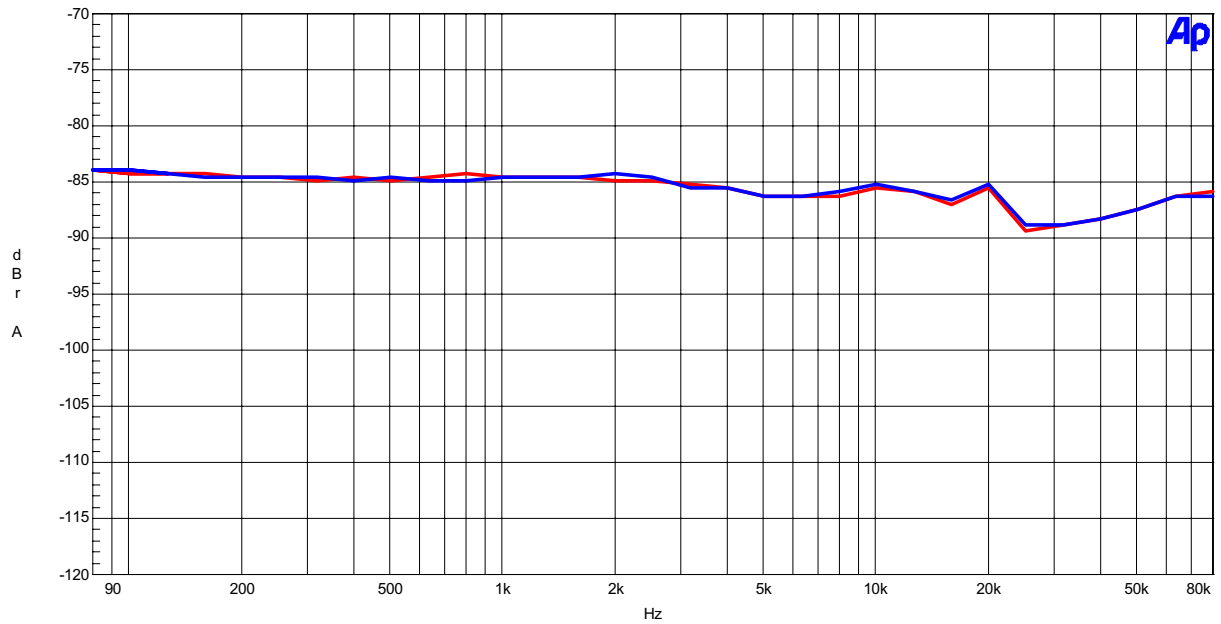


Figure 28. THD+N vs. Input Frequency (0dBFS input)

(fs=192kHz)

AKM

AK4387 Linearity
AVDD=DVDD=5V, fs=192kHz, fin=1kHz

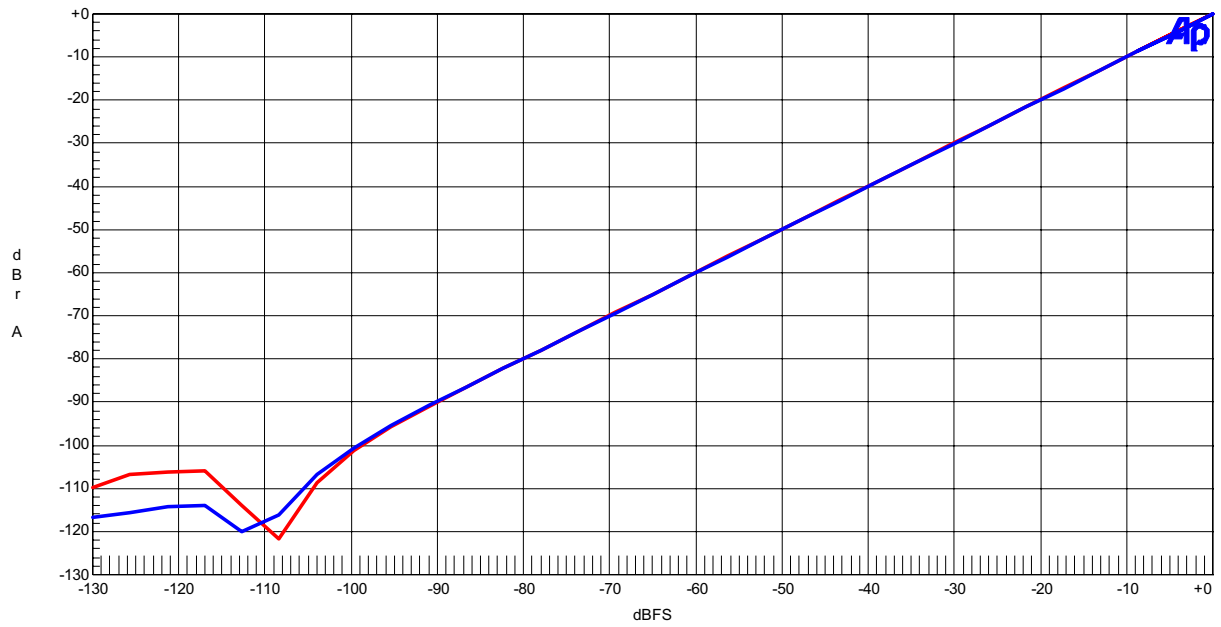


Figure 29. Linearity (fin=1kHz)

AKM

AK4387 Frequency Response
AVDD=DVDD=5V, fs=192kHz, 0dBFS input

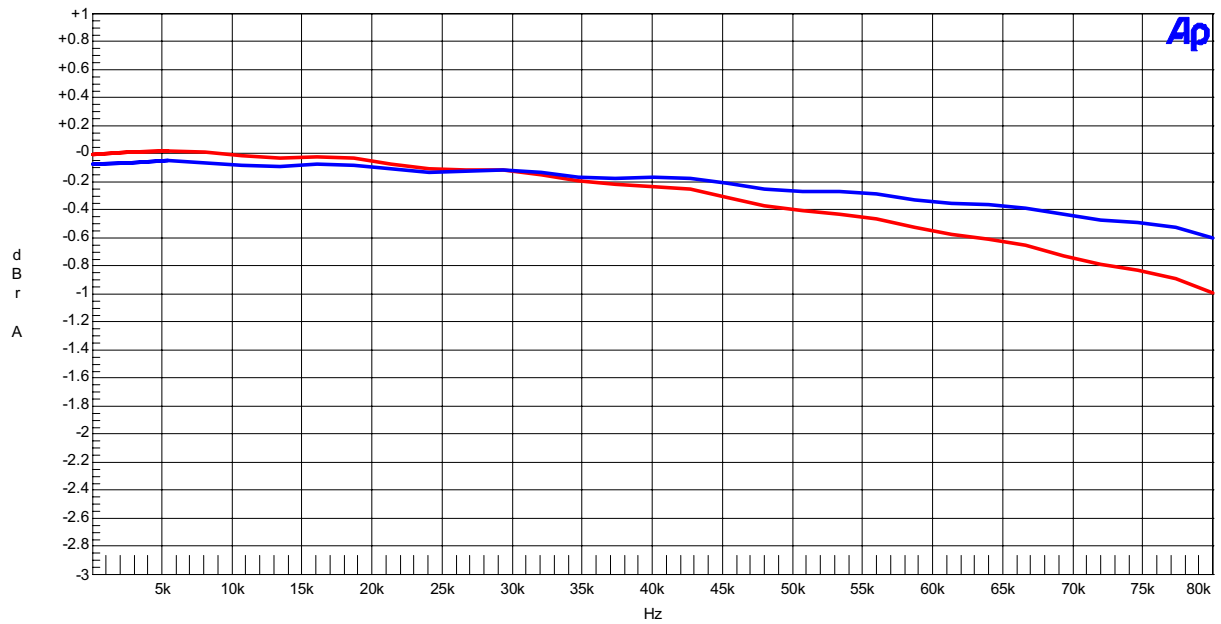


Figure 30. Frequency Response (0dBFS input)

(fs=192kHz)

AKM

AK4387 Crosstalk (Red=Lch, Blue=Rch)
AVDD=DVDD=5V, fs=192kHz, 0dBFS input

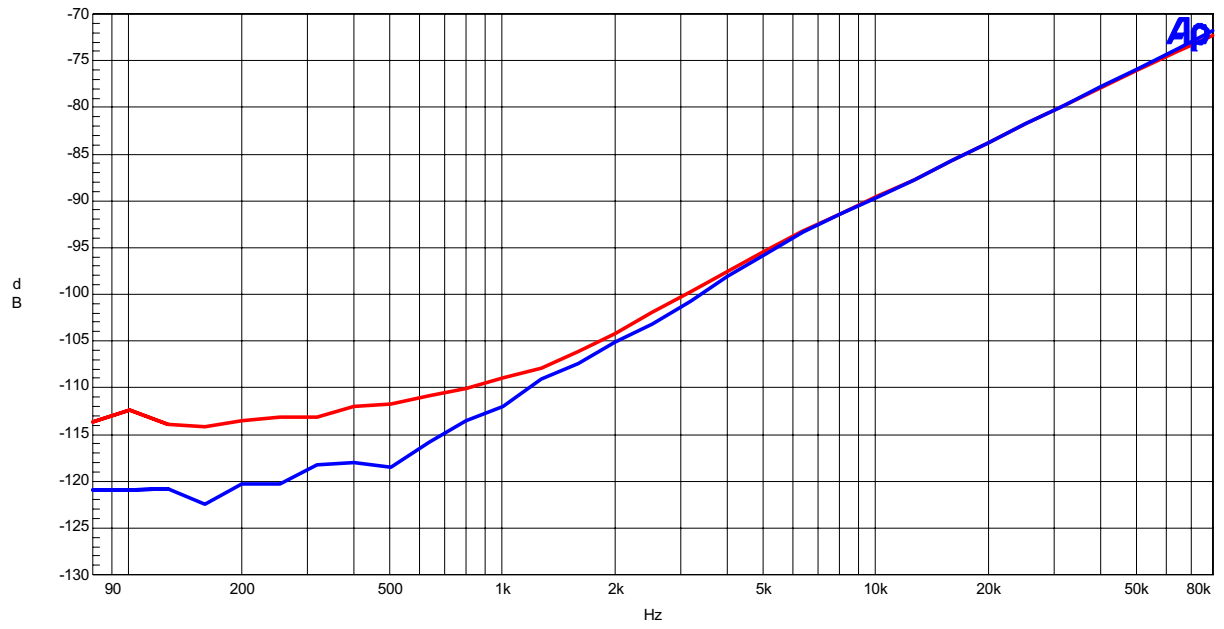


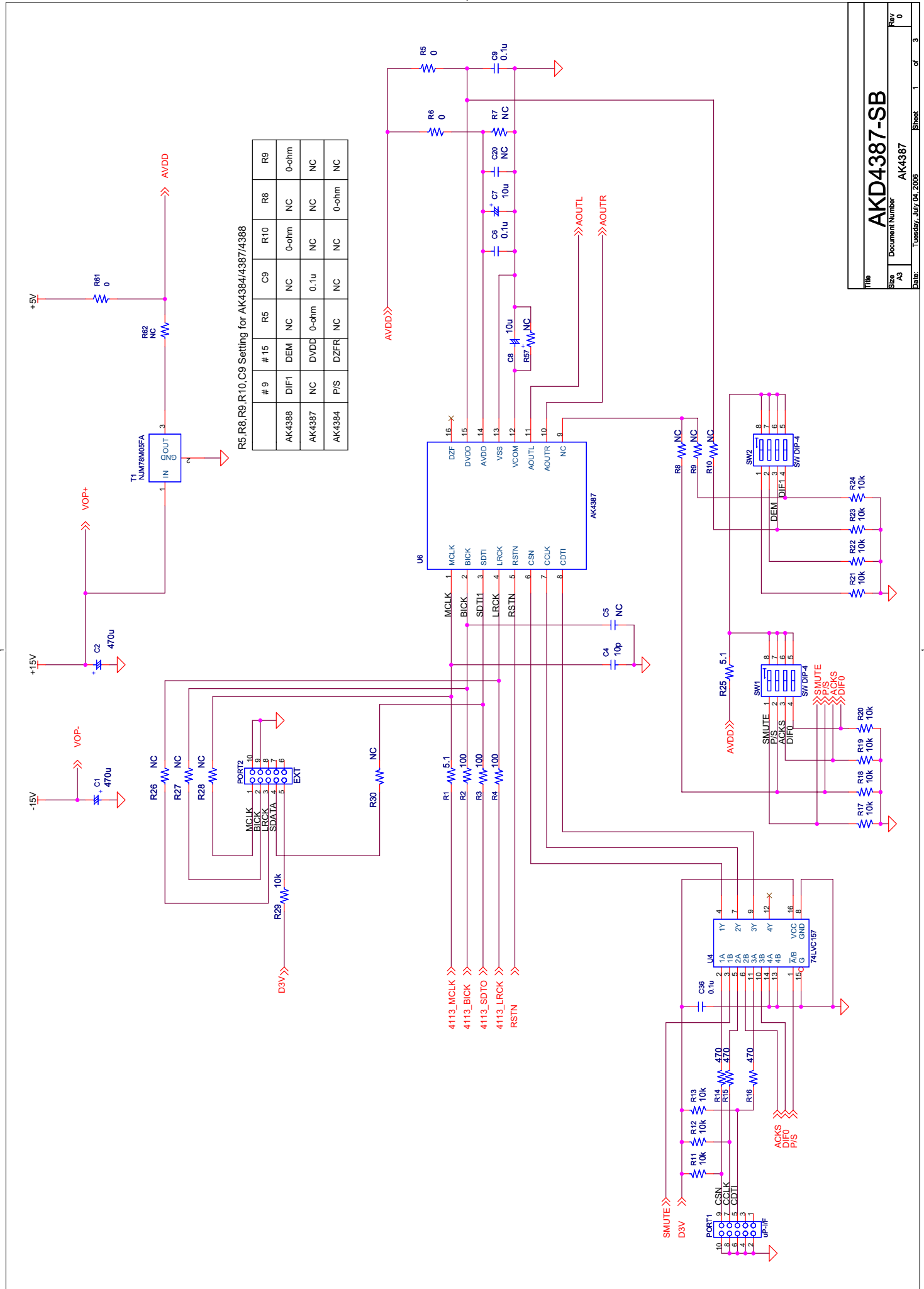
Figure 31. Crosstalk (0dBFS input)

Revision History

Date (YY/MM/DD)	Manual Revision	Board Revision	Reason	Contents
06/07/28	KM084600	0	First edition	

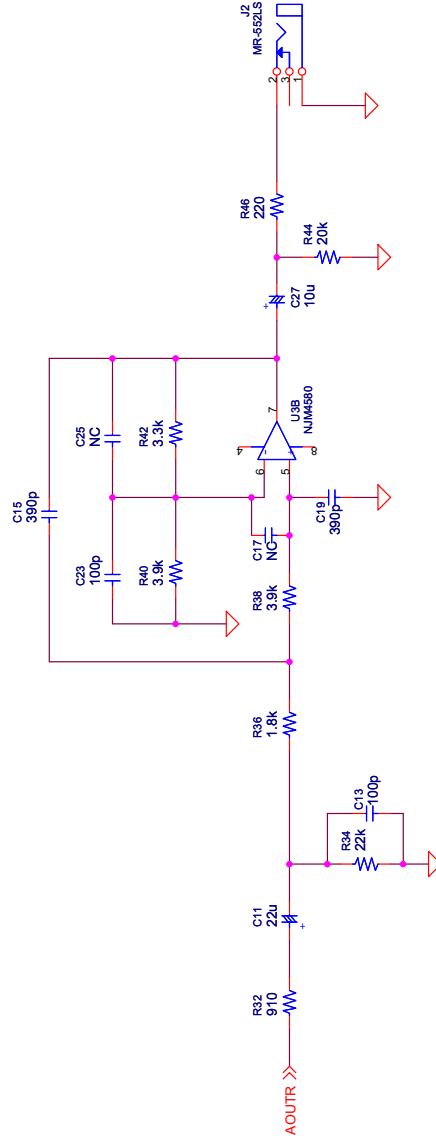
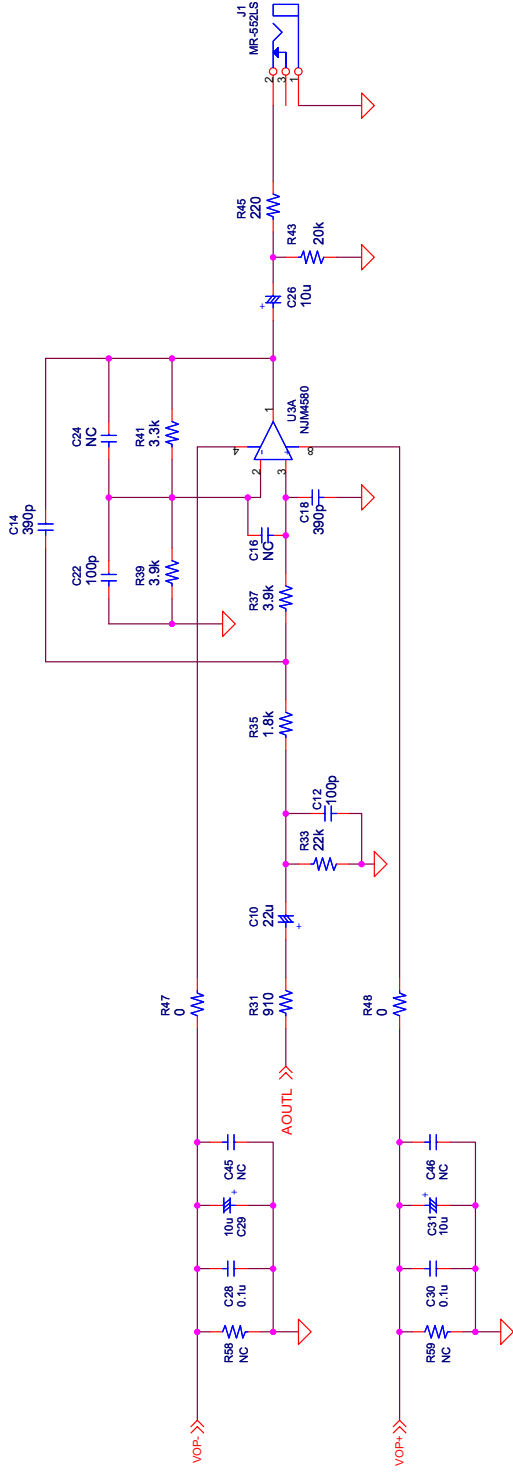
IMPORTANT NOTICE

- These products and their specifications are subject to change without notice. Before considering any use or application, consult the Asahi Kasei Microsystems Co., Ltd. (AKM) sales office or authorized distributor concerning their current status.
- AKM assumes no liability for infringement of any patent, intellectual property, or other right in the application or use of any information contained herein.
- Any export of these products, or devices or systems containing them, may require an export license or other official approval under the law and regulations of the country of export pertaining to customs and tariffs, currency exchange, or strategic materials.
- AKM products are neither intended nor authorized for use as critical components in any safety, life support, or other hazard related device or system, and AKM assumes no responsibility relating to any such use, except with the express written consent of the Representative Director of AKM. As used here:
 - (a) A hazard related device or system is one designed or intended for life support or maintenance of safety or for applications in medicine, aerospace, nuclear energy, or other fields, in which its failure to function or perform may reasonably be expected to result in loss of life or in significant injury or damage to person or property.
 - (b) A critical component is one whose failure to function or perform may reasonably be expected to result, whether directly or indirectly, in the loss of the safety or effectiveness of the device or system containing it, and which must therefore meet very high standards of performance and reliability.
- It is the responsibility of the buyer or distributor of an AKM product who distributes, disposes of, or otherwise places the product with a third party to notify that party in advance of the above content and conditions, and the buyer or distributor agrees to assume any and all responsibility and liability for and hold AKM harmless from any and all claims arising from the use of said product in the absence of such notification.



R5, R8, R9, R10, C9 Setting for AK4384/4387/4388

#	# 15	R5	R8	R9
AK4388	DIF1	NC	NC	0-ohm
AK4387	NC	DVDD	0-ohm	NC
AK4384	PIS	DZFR	NC	0-ohm

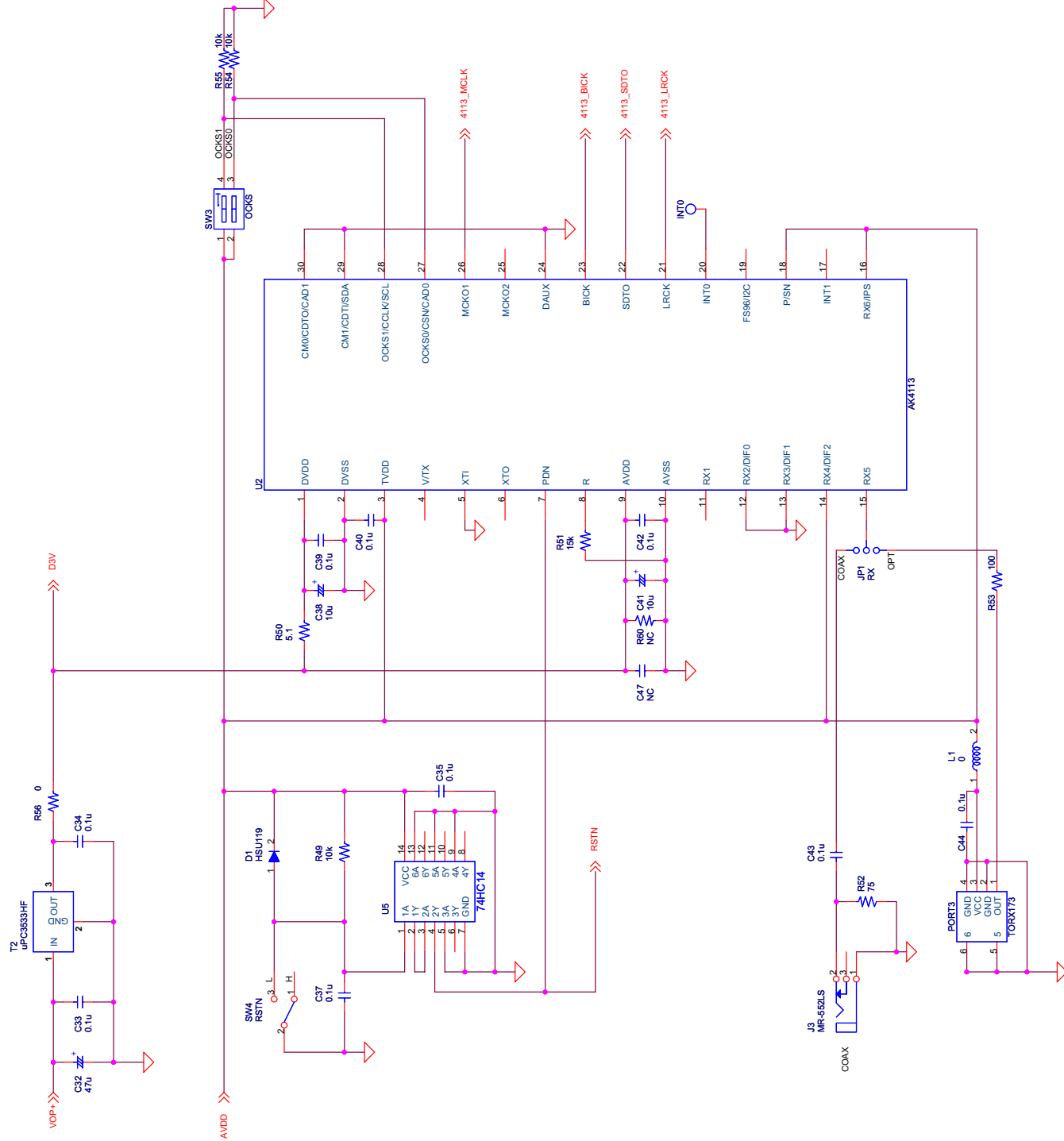


AKD4387-SB

Title	AKD4387-SB		
Step	748	Document Number	AKD4387-SB
Date	Monday, July 03, 2006	Sheet	2 of 3
Rev	0		

S3

OCKS1	OCKS0	Master Clock
H	L	51.7fs@fs=32k/44.1k/48kHz
L	L	256fs@fs=88.2k/96kHz
H	H	128fs@fs=176.4k/192kHz



AKD4387-SB

Title	AKD4387-SB		
Step	74	Document Number	DIR
Date	Monday, July 03, 2006	Sheet	3 of 3
Rev	0		