

TMX W348

SAW Bandpass Filter – US PCS Tx - RF
Specification (Rev 1)

| | |
|-----------------------------------|-----|
| ▣ Features..... | P01 |
| ▣ Package Drawing & Pin out..... | P01 |
| ▣ Technical Characteristics | P02 |
| ▣ Matching Network | P02 |
| ▣ Nominal Response..... | P03 |
| ▣ Maximum Ratings..... | P04 |
| ▣ Marking & Packaging | P04 |

TMX W348

SAW Bandpass Filter – US PCS Tx - RF

Specification (Rev.1)- RF

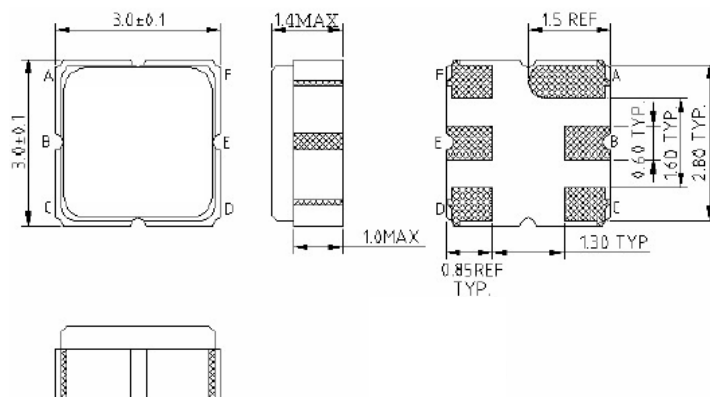
September 25th, 2005

Features

- ❑ Tx SAW Filter for US PCS
- ❑ 1880 MHz Center Frequency
- ❑ 60 MHz useable Passband
- ❑ 50 Ohms Single Configuration
- ❑ Ceramic package for Surface Mounted Technology

Package Drawing & Pin out

The product is in conformance with the European RoHs Regulation 2002/95.



Pin Configuration

| | |
|-------------|------------|
| Input | B |
| Output | E |
| Case ground | A, C, D, F |

TMX W348

SAW Bandpass Filter – US PCS Tx - RF

Specification (Rev.1)- RF

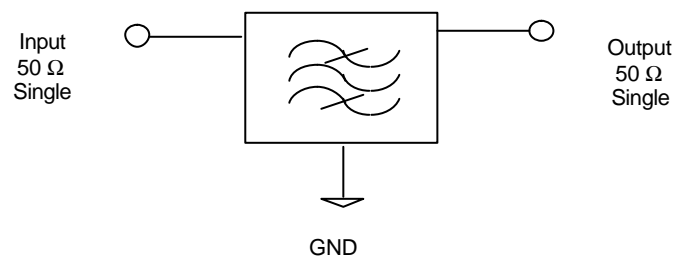
September 25th, 2005

Technical Characteristics

Reference Temperature : +25°C

| Electrical Parameters | Unit | Minimum | Typical ⁽¹⁾ | Maximum |
|--|------|---------|------------------------|---------|
| Source Impedance (single) | Ohms | - | 50 | - |
| Load Impedance (single) | Ohms | - | 50 | - |
| Center Frequency f_c | MHz | - | 1880 | - |
| Bandwidth at -3dB | MHz | 60 | - | - |
| Absolute Attenuation | | | | |
| 10 MHz to 1660 MHz | dB | 20 | 32 | - |
| 1660 MHz to 1721 MHz | dB | 30 | 35 | - |
| 1721 MHz to 1800 MHz | dB | 20 | 37 | - |
| 1930 MHz to 1990 MHz | dB | 7 | 19 | - |
| 2000 MHz to 2040 MHz | dB | 25 | 37 | - |
| 2040 MHz to 2480 MHz | dB | 31 | 38 | - |
| 3700 MHz to 3820 MHz | dB | 25 | 35 | - |
| Insertion Loss within 1850 MHz – 1910 MHz | dB | - | 2.4 | 4.0 |
| Amplitude ripple within 1850 MHz – 1910 MHz | dB | - | 1.2 | 2.5 |
| Input/Output VSWR within 1850 MHz – 1910 MHz | dB | 7.4 | 13 | - |

Matching Network



TMX W348

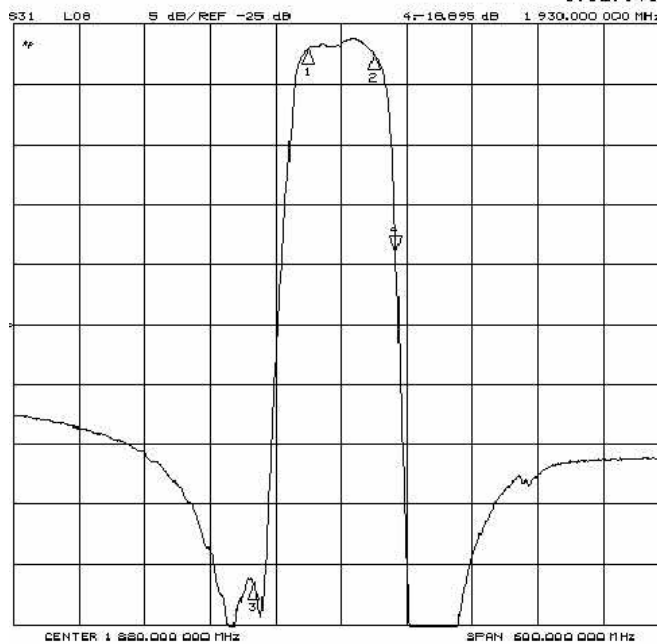
SAW Bandpass Filter – US PCS Tx - RF

Specification (Rev.1)- RF

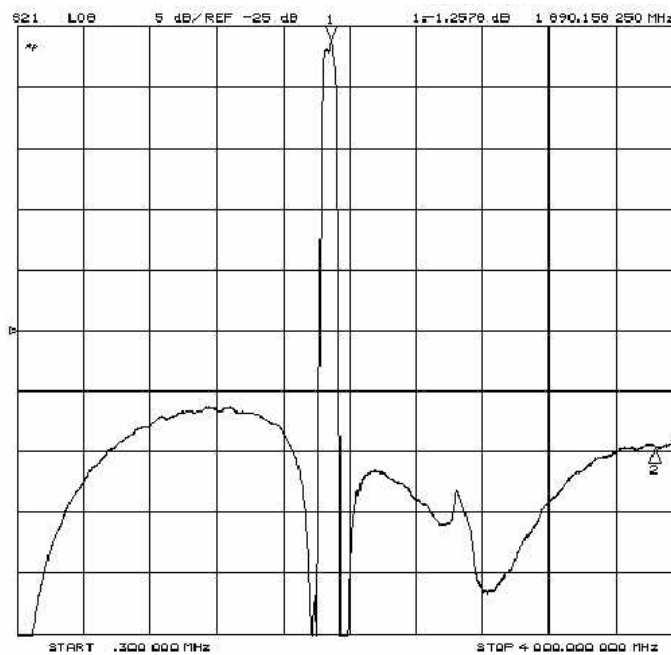
September 25th, 2005

Nominal Frequency Response (Measurements)

Frequency Response



Frequency Response



TMX W348

SAW Bandpass Filter – US PCS Tx - RF

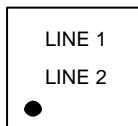
Specification (Rev.1)- RF

September 25th, 2005

Maximum Ratings

| | | |
|---------------------------|-----|-----------------|
| Storage Temperature Range | °C | [-40°C ; +85°C] |
| Operating temperature | °C | [-30°C ; +85°C] |
| DC voltage | V | 5 |
| Input Power | dBm | 10 |

Marking



Line 1: "NNNN" is the reference to Temex Part number with only the last 4 digits

Line 2: RYWWZZ is the date code as:

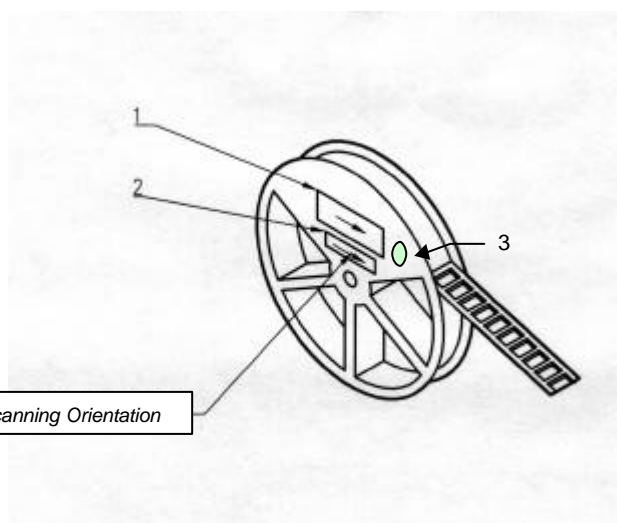
R: Partner identifier.

Y: last digit of the year.

WW: number of week in the year

ZZ: Lot number in the week (from AA to ZZ).

Packaging



Scanning Orientation

- 1 – Temex Label
- 2 – ESD Prevention Label
- 3 – Pb Free Label