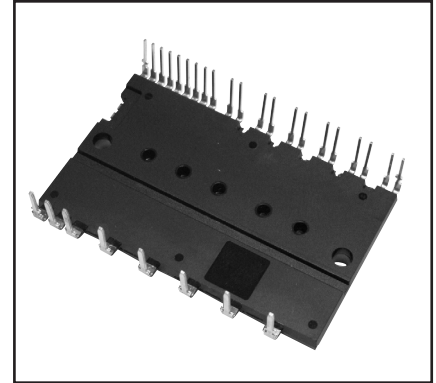
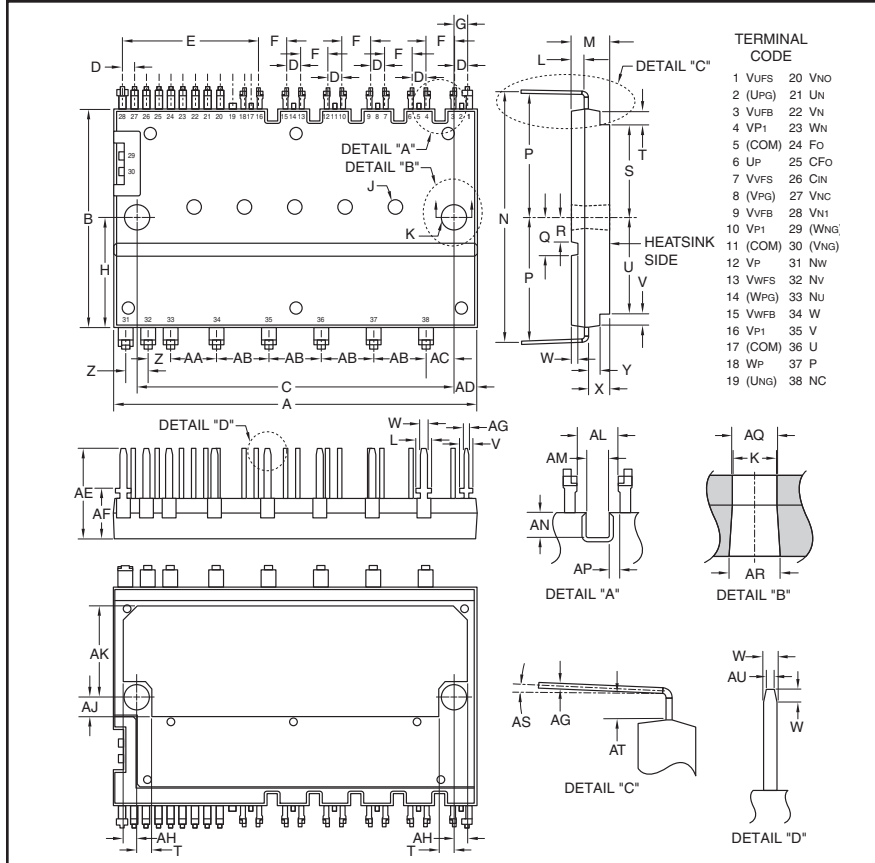


### Intellimod™ Module Dual-In-Line Intelligent Power Module 30 Amperes/600 Volts



**Description:**  
DIP-IPMs are intelligent power modules that integrate power devices, drivers, and protection circuitry in an ultra compact dual-in-line transfer-mold package for use in driving small three phase motors. Use of 5th generation IGBTs, DIP packaging, and application specific HVICs allow the designer to reduce inverter size and overall design time.

- Features:**
- Compact Packages
  - Single Power Supply
  - Integrated HVICs
  - Direct Connection to CPU
  - Reduced R<sub>th</sub>

- Applications:**
- Refrigerators
  - Air Conditioners
  - Small Servo Motors
  - Small Motor Control

**Ordering Information:**  
PS21767 is a 600V, 30 Ampere short pin DIP Intelligent Power Module.

**Outline Drawing and Circuit Diagram**

Dimensions	Inches	Millimeters
A	2.07	52.5
B	1.22	31.0
C	1.81±0.008	46.0±0.2
D	0.07±0.008	1.78±0.2
E	0.77	19.58
F	0.17±0.008	4.32±0.2
G	0.08±0.019	2.04±0.3
H	0.61	15.5
J	0.09 Dia. x 0.1 Depth	2.2 Dia. x 2.6 Depth
K	0.13 Dia.	3.3 Dia.
L	0.08	2.0
M	0.22	5.6
N	1.41±0.02	35.9±0.5
P	0.69	17.7
Q	0.216	5.5
R	0.14	3.5
S	0.503	12.78
T	0.09	2.2
U	0.53	13.5
V	0.06	1.5
W	0.04	1.0

Dimensions	Inches	Millimeters
X	0.06	1.55
Y	0.12	3.1±0.1
Z	0.13±0.019	3.3±0.3
AA	0.26±0.019	6.6±0.3
AB	0.3±0.019	7.62±0.3
AC	0.15±0.019	3.95±0.3
AD	0.13	3.25
AE	0.5	12.7
AF	0.28	7.1
AG	0.02	0.5
AH	0.067	1.7
AJ	0.11	2.8
AK	0.51	13.0
AL	0.114	2.9
AM	0.063	1.6
AN	0.068	1.75
AP	0.03	0.75
AQ	0.14 Dia.	3.5 Dia.
AR	0.145 Dia.	3.7 Dia.
AS	0° ~ 5°	
AT	0.078	1.96
AU	0.023	0.6

**PS21767**  
**Intellimod™ Module**  
**Dual-In-Line Intelligent Power Module**  
 30 Amperes/600 Volts

## Absolute Maximum Ratings, $T_j = 25^\circ\text{C}$ unless otherwise specified

Characteristics	Symbol	PS21767	Units
Power Device Junction Temperature*	$T_j$	-20 to 150	$^\circ\text{C}$
Storage Temperature	$T_{\text{stg}}$	-40 to 125	$^\circ\text{C}$
Case Operating Temperature (Note 1)	$T_C$	-20 to 100	$^\circ\text{C}$
Mounting Torque, M3 Mounting Screws	—	8.7	in-lb
Module Weight (Typical)	—	20	Grams
Heatsink Flatness (Note 2)	—	-50 to 100	$\mu\text{m}$
Self-protection Supply Voltage Limit (Short Circuit Protection Capability)**	$V_{\text{CC(prot.)}}$	400	Volts
Isolation Voltage, AC 1 minute, 60Hz Sinusoidal, Connection Pins to Heatsink Plate	$V_{\text{ISO}}$	2500	Volts

\*The maximum junction temperature rating of the power chips integrated within the DIP-IPM is  $150^\circ\text{C}$  ( $@T_C \leq 100^\circ\text{C}$ ).

\*\* $V_D = 13.5 \sim 16.5\text{V}$ , Inverter Part,  $T_j = 125^\circ\text{C}$ , Non-repetitive, Less than  $2\mu\text{s}$

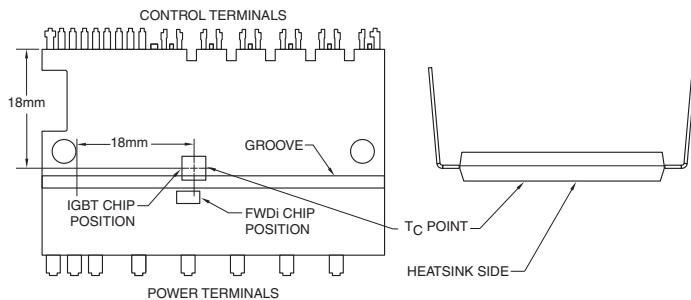
## IGBT Inverter Sector

Collector-Emitter Voltage	$V_{\text{CES}}$	600	Volts
Each Collector Current, $\pm$ ( $T_C = 25^\circ\text{C}$ )	$I_C$	30	Amperes
Each Peak Collector Current, $\pm$ ( $T_C = 25^\circ\text{C}$ , Less than 1ms)	$I_{\text{CP}}$	60	Amperes
Supply Voltage (Applied between P-NU, $N_V$ , $N_W$ )	$V_{\text{CC}}$	450	Volts
Supply Voltage, Surge (Applied between P-NU, $N_V$ , $N_W$ )	$V_{\text{CC(surge)}}$	500	Volts
Collector Dissipation ( $T_C = 25^\circ\text{C}$ , per 1 Chip)	$P_C$	90.9	Watts

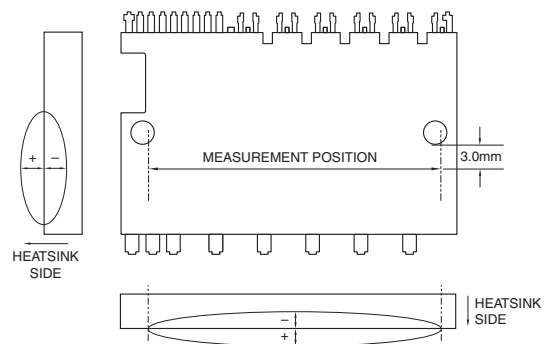
## Control Sector

Supply Voltage (Applied between $V_{P1-V_{NC}}$ , $V_{N1-V_{NC}}$ )	$V_D$	20	Volts
Supply Voltage (Applied between $V_{UFB-U_{UFS}}$ , $V_{VFB-V_{VFS}}$ , $V_{WFB-W_{WFS}}$ )	$V_{\text{DB}}$	20	Volts
Input Voltage (Applied between $U_P$ , $V_P$ , $W_P-V_{NC}$ , $U_N$ , $V_N$ , $W_N-V_{NC}$ )	$V_{\text{IN}}$	-0.5 ~ $V_D+0.5$	Volts
Fault Output Supply Voltage (Applied between $F_O-V_{NC}$ )	$V_{\text{FO}}$	-0.5 ~ $V_D+0.5$	Volts
Fault Output Current (Sink Current at $F_O$ Terminal)	$I_{\text{FO}}$	1	mA
Current Sensing Input Voltage (Applied between $C_{\text{IN}}-V_{\text{NC}}$ )	$V_{\text{SC}}$	-0.5 ~ $V_D+0.5$	Volts

Note 1 –  $T_C$  Measure Point



Note 2 – Flatness Measurement Position



**PS21767**  
**Intellimod™ Module**  
**Dual-In-Line Intelligent Power Module**  
 30 Amperes/600 Volts

## Electrical and Mechanical Characteristics, $T_j = 25^\circ\text{C}$ unless otherwise specified

Characteristics	Symbol	Test Conditions	Min.	Typ.	Max.	Units
<b>IGBT Inverter Sector</b>						
Collector-Emitter Saturation Voltage	$V_{CE(sat)}$	$V_D = V_{DB} = 15\text{V}, I_C = 30\text{A}, V_{IN} = 5\text{V}, T_j = 25^\circ\text{C}$	—	1.60	2.10	Volts
		$V_D = V_{DB} = 15\text{V}, I_C = 30\text{A}, V_{IN} = 5\text{V}, T_j = 125^\circ\text{C}$	—	1.70	2.20	Volts
Diode Forward Voltage	$V_{EC}$	$-I_C = 30\text{A}, V_{IN} = 0\text{V}$	—	1.50	2.00	Volts
Inductive Load Switching Times	$t_{on}$		0.70	1.30	1.90	$\mu\text{s}$
	$t_{rr}$	$V_{CC} = 300\text{V}, V_D = V_{DB} = 15\text{V},$	—	0.30	—	$\mu\text{s}$
	$t_{C(on)}$	$I_C = 30\text{A}, T_j = 125^\circ\text{C},$	—	0.50	0.80	$\mu\text{s}$
	$t_{off}$	$V_{IN} = 0 - 5\text{V}, \text{Inductive Load}$	—	1.50	2.10	$\mu\text{s}$
	$t_{C(off)}$		—	0.40	0.60	$\mu\text{s}$
Collector Cutoff Current	$I_{CES}$	$V_{CE} = V_{CES}, T_j = 25^\circ\text{C}$	—	—	1.0	mA
		$V_{CE} = V_{CES}, T_j = 125^\circ\text{C}$	—	—	10	mA

## Control Sector

Circuit Current	$I_D$	$V_{IN} = 5\text{V}$	Total of $V_{P1-V_{NC}}, V_{N1-V_{NC}}$	—	—	7.00	mA
			$V_{UFB-U}, V_{VFB-V}, V_{WFB-W}$	—	—	0.55	mA
		$V_{IN} = 0\text{V}$	Total of $V_{P1-V_{NC}}, V_{N1-V_{NC}}$	—	—	7.00	mA
			$V_{UFB-V_{UFS}}, V_{VFB-V_{VFS}}, V_{WFB-V_{WFS}}$	—	—	0.55	mA
Fault Output Voltage	$V_{FOH}$	$V_{SC} = 0\text{V}, F_O$ Terminal Pull-up to 5V by 10k $\Omega$	4.9	—	—	Volts	
		$V_{SC} = 1\text{V}, I_{FO} = 1\text{mA}$	—	—	0.95	Volts	
Short Circuit Trip Level*	$V_{SC(ref)}$	$V_D = 15\text{V}$	0.43	0.48	0.53	Volts	
Input Current	$I_{IN}$	$V_{IN} = 5\text{V}$	1.0	1.5	2.0	mA	
Supply Circuit Under-voltage	$UV_{DBt}$	Trip Level, $T_j \leq 125^\circ\text{C}$	10.0	—	12.0	Volts	
Protection	$UV_{DBr}$	Reset Level, $T_j \leq 125^\circ\text{C}$	10.5	—	12.5	Volts	
		Trip Level, $T_j \leq 125^\circ\text{C}$	10.3	—	12.5	Volts	
		Reset Level, $T_j \leq 125^\circ\text{C}$	10.8	—	13.0	Volts	
		Trip Level, $T_j \leq 125^\circ\text{C}$	10.3	—	12.5	Volts	
Fault Output Pulse Width**	$t_{FO}$	$C_{FO} = 22\text{nF}$	1.0	1.8	—	ms	
ON Threshold Voltage	$V_{th(on)}$	Applied between	—	2.3	2.6	Volts	
OFF Threshold Voltage	$V_{th(off)}$	$U_P, V_P, W_P - V_{NC},$	0.8	1.4	—	Volts	
ON/OFF Threshold Hysteresis Voltage	$V_{th(hys)}$	$U_N, V_N, W_N - V_{NC}$	0.5	0.9	—	Volts	

\* Short Circuit protection is only for the lower-arms. Please select the external shunt resistance such that the  $S_C$  trip level is less than 2.0 times the current rating.

\*\*Fault signal is output when the low-arms short circuit or control supply under-voltage protective function works. The fault output pulse-width,  $t_{FO}$ , depends on the capacitance of  $C_{FO}$  according to the following approximate equation:  $C_{FO} = 12.2 \times 10^{-6} \times t_{FO} [F]$ .

PS21767  
 Intellimod™ Module  
 Dual-In-Line Intelligent Power Module  
 30 Amperes/600 Volts

## Thermal Characteristics

Characteristic	Symbol	Condition	Min.	Typ.	Max.	Units
Junction to Case*	$R_{th(j-c)Q}$	Inverter IGBT (Per 1/6 Module)	—	—	1.1	°C/Watt
	$R_{th(j-c)D}$	Inverter FWDi (Per 1/6 Module)	—	—	2.8	°C/Watt

## Recommended Conditions for Use

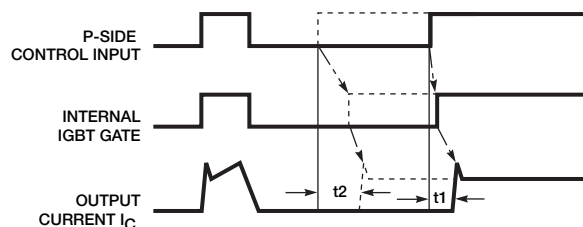
Characteristic	Symbol	Condition	Min.	Typ.	Value	Units	
Supply Voltage	$V_{CC}$	Applied between P- $N_U$ , $N_V$ , $N_W$	0	300	400	Volts	
Control Supply Voltage	$V_D$	Applied between $V_{P1}$ - $V_{NC}$ , $V_{N1}$ - $V_{NC}$	13.5	15.0	16.5	Volts	
	$V_{DB}$	Applied between $V_{UFB}$ - $V_{UFS}$ , $V_{VFB}$ - $V_{VFS}$ , $V_{WFB}$ - $V_{WFS}$	13.0	15.0	18.5	Volts	
Control Supply Variation	$dV_D$ , $dV_{DB}$	—	-1	—	1	V/ $\mu$ s	
Arm Shoot-through	$t_{DEAD}$	For Each Input Signal, $T_C \leq 100^\circ\text{C}$	2.0	—	—	$\mu$ s	
Blocking Time		$T_C \leq 100^\circ\text{C}$					
PWM Input Frequency	$f_{PWM}$	$T_C \leq 100^\circ\text{C}$ , $T_j \leq 125^\circ\text{C}$	—	—	20	kHz	
Allowable Minimum	$P_{WIN(on)}^{**}$	—	0.3	—	—	$\mu$ s	
Input Pulse Width	$P_{WIN(off)}^{***}$	Below Rated Current	1.5	—	—	$\mu$ s	
		Between Rated Current and 1.7 Times Rated Current	3.0	—	—	$\mu$ s	
		Between 1.7 Times and 2.0 Times Rated Current	3.6	—	—	$\mu$ s	
		Wiring Inductance < 10nH					
$V_{NC}$ Voltage Variation	$V_{NC}$	Between $V_{NC}$ - $N_U$ , $N_V$ , $N_W$ , (Including Surge)	-5.0	—	5.0	Volts	
Junction Temperature	$T_j$	—	-20	—	125	°C	

\*-100 ~ +200  $\mu$ m of thermally conductive grease should be applied evenly to the contact surface between the DIP-IPM and heatsink.  $R_{th(j-c)}$  is determined by the thickness and the thermal conductivity of the applied grease.

\*\*The input signal with ON pulse less than  $P_{WIN(on)}$  may make no response.

\*\*\*DIP-IPM may make a delayed response (less than about 2 $\mu$ sec) or no response for the input signal with OFF pulse width less than  $P_{WIN(off)}$ . Refer to About Delayed Response Against Shorter Input OFF Signal than  $P_{WIN(off)}$  (P-side Only) and Recommended Wiring Around the Shunt Resistor for details about N-line inductance.

## Delayed Response Against Shorter Input OFF Signal than $P_{WIN(off)}$ (P-side Only)

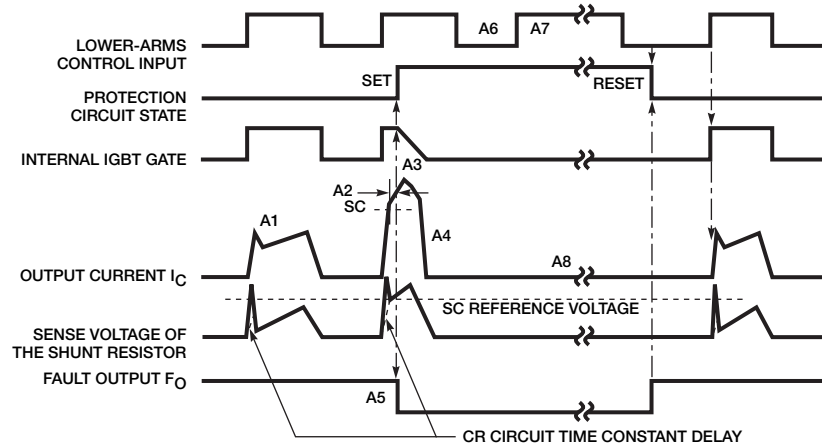


Solid Line – OFF Pulse Width >  $P_{WIN(off)}$ : Turn ON time  $t_1$ .

Dotted Line – OFF Pulse Width <  $P_{WIN(off)}$ : Turn ON time  $t_2$ .

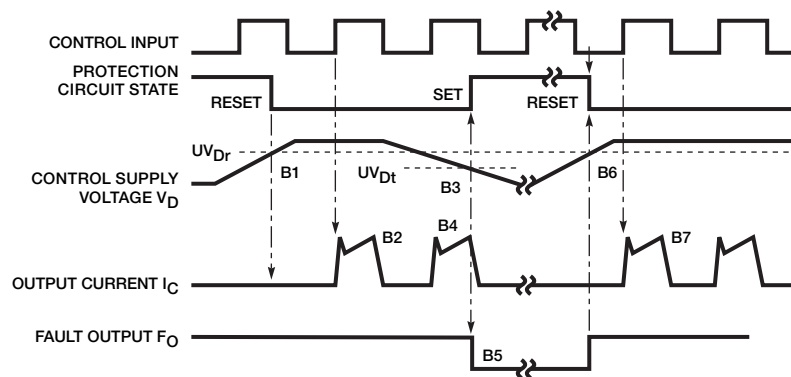
PS21767  
 Intellimod™ Module  
 Dual-In-Line Intelligent Power Module  
 30 Amperes/600 Volts

## Short Circuit Protection (Lower-arms Only with External Shunt Resistor and RC Filter)



- A1: Normal operation – IGBT ON and carrying current.
- A2: Short Circuit current detection (SC trigger).
- A3: IGBT gate hard interruption.
- A4: IGBT turns OFF.
- A5: F<sub>O</sub> timer operation starts. The pulse width of the F<sub>O</sub> signal is set by the external capacitor C<sub>F<sub>O</sub></sub>.
- A6: Input "L" – IGBT OFF.
- A7: Input "H"
- A8: IGBT OFF state in spite of input "H".

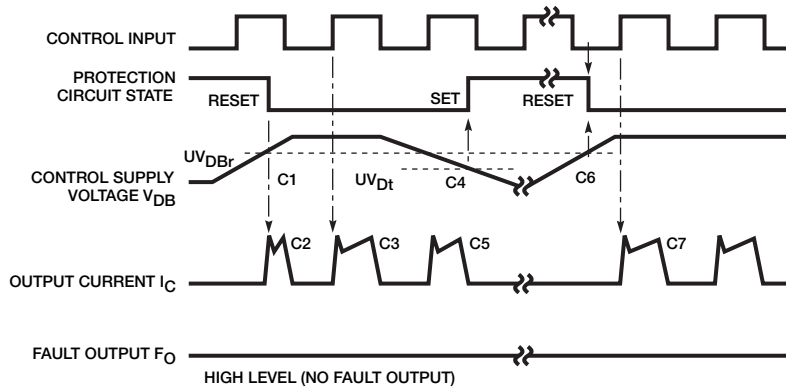
## Under-Voltage Protection (Lower-arm, UV<sub>D</sub>)



- B1: Control supply voltage rising – After the voltage level reaches UV<sub>Dr</sub>, the drive circuit begins to work at the rising edge of the next input signal.
- B2: Normal operation – IGBT ON and conducting current.
- B3: Under-voltage trip (UV<sub>Dt</sub>).
- B4: IGBT turns OFF regardless of the control input level.
- B5: F<sub>O</sub> operation starts.
- B6: Under-voltage reset (UV<sub>Dr</sub>).
- B7: Normal operation – IGBT ON and conducting current.

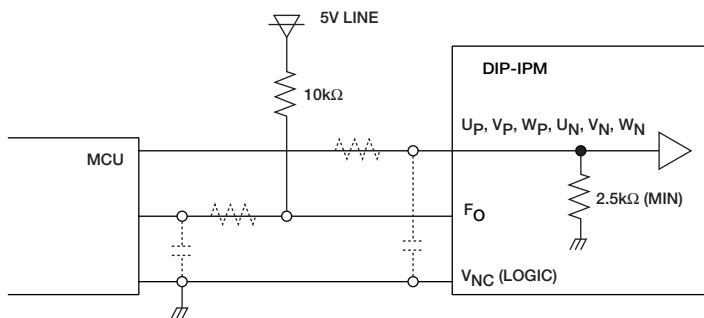
PS21767  
 Intellimod™ Module  
 Dual-In-Line Intelligent Power Module  
 30 Amperes/600 Volts

## Under-Voltage Protection (Upper-arm, UV<sub>DB</sub>)



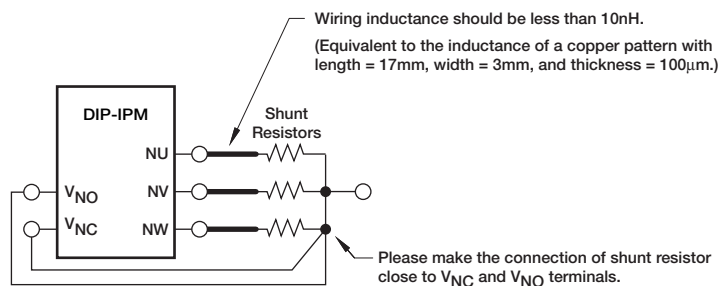
- C1: Control supply voltage rises – After the voltage level reaches UV<sub>Dt</sub>, the drive circuit begins to work at the rising edge of the next input signal.
- C2: Protection circuit state reset – IGBT ON and conducting current.
- C3: Normal operation – IGBT ON and conducting current.
- C4: Under-voltage trip (UV<sub>Dt</sub>).
- C5: IGBT OFF regardless of the control input level, but there is no F<sub>O</sub> signal output.
- C6: Under-voltage reset (UV<sub>Dt</sub>).
- C7: Normal operation – IGBT ON and conducting current.

## Recommended MCU I/O Interface Circuit



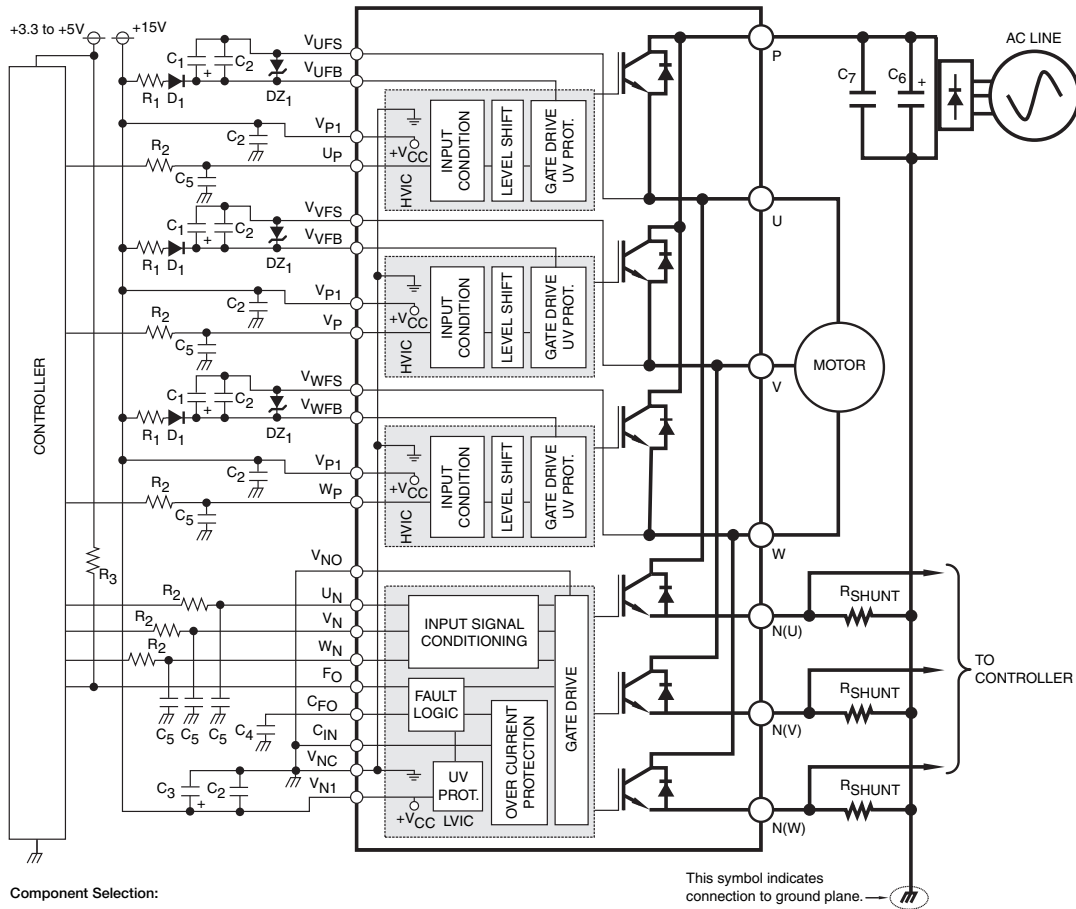
NOTE: RC coupling at each input (parts shown dotted) may change depending on the PWM control scheme used in the application and the wiring impedance of the printed circuit board. The DIP-IPM input signal section integrates a 2.5kΩ (min) pull-down resistor. Therefore, when using an external filtering resistor, care must be taken to satisfy the turn-on threshold voltage requirement.

## Recommended Wiring Around the Shunt Resistor



**PS21767**  
**Intellimod™ Module**  
**Dual-In-Line Intelligent Power Module**  
 30 Amperes/600 Volts

**Application Circuit**



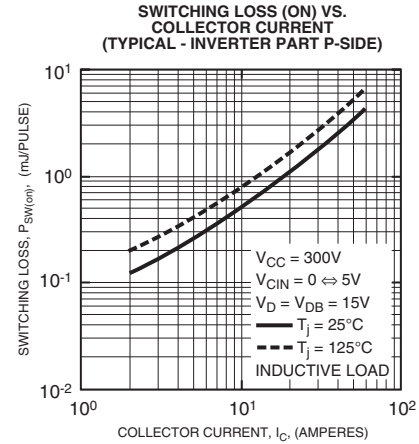
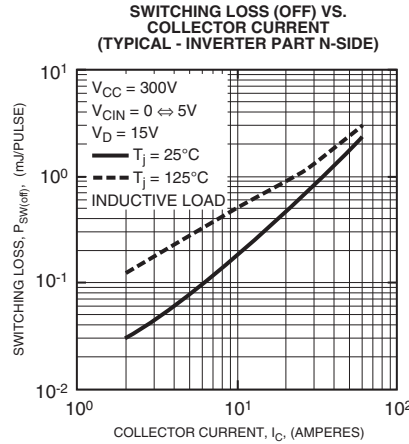
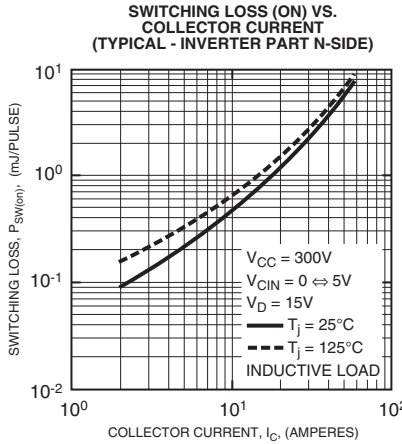
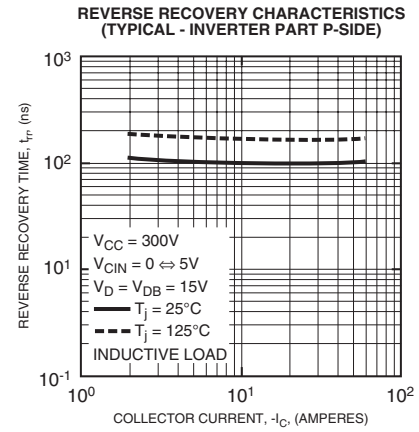
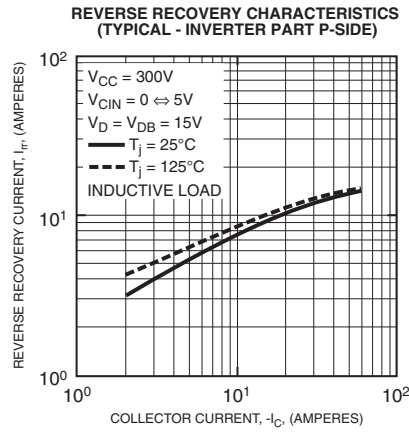
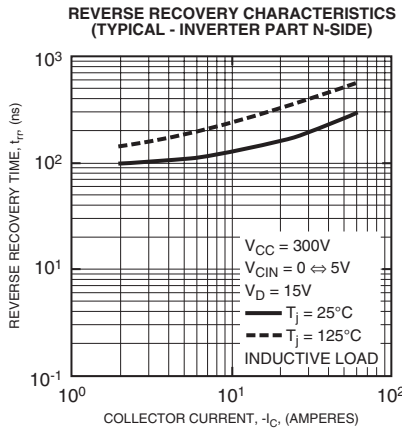
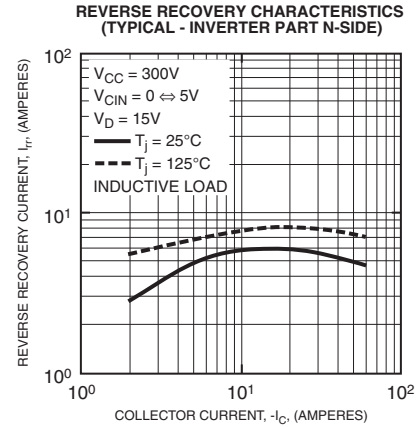
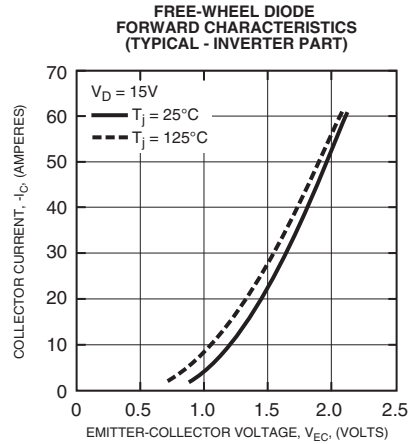
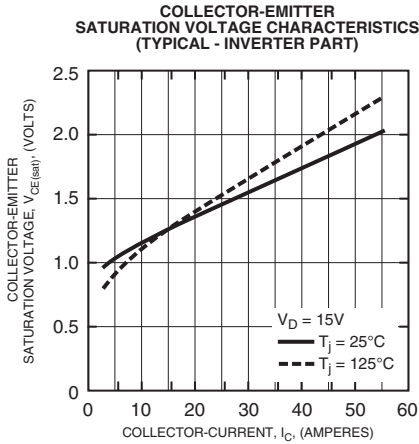
**Component Selection:**

Dsgn.	Typ. Value	Description
D1	1A, 600V	Boot strap supply diode – Ultra fast recovery
DZ1	16V, 0.25W	Control and boot strap supply over voltage suppression
C1	10-100uF, 50V	Boot strap supply reservoir – Electrolytic, long life, low Impedance, 105°C (Note 5)
C2	0.22-2.0uF, 50V	Local decoupling/High frequency noise filters – Multilayer ceramic (Note 5)
C3	10-100uF, 50V	Control power supply filter – Electrolytic, long life, low Impedance, 105°C (Note 5)
C4	22nF, 50V	Fault output timer capacitor
C5	100pF, 50V	Optional Input signal noise filter – Multilayer ceramic (Note 1)
C6	200-2000uF, 450V	Main DC bus filter capacitor – Electrolytic, long life, high ripple current, 105°C
C7	0.1-0.22uF, 450V	Surge voltage suppression capacitor – Polyester/Polypropylene film (Note 8)
RSHUNT	5-100mohm	Current sensing resistor – Non-inductive, temperature stable, tight tolerance (Note 9)
R1	10 ohm	Boot strap supply inrush limiting resistor
R2	330 ohm	Optional control input noise filter (Note 1, Note 2)
R3	10k ohm	Fault output signal pull-up resistor (Note 3)

**Notes:**

- Input drive is active-high type. There is a 2.5kΩ(min.) pull-down resistor integrated in the IC input circuit. To prevent malfunction, the wiring of each input should be as short as possible. When using RC coupling circuit, make sure the input signal level meets the turn-on and turn-off threshold voltage. See application notes for details.
- Internal HVIC provides high voltage level shifting allowing direct connection of all six driving signals to the controller.
- FO output is an open collector type. Pull up resistor (R3) should be adjusted to current sink capability of the controller.
- To prevent input signal oscillations, minimize wire length to controller (~2cm). Additional RC filtering (C5 etc.) may be required. If filtering is added be careful to maintain proper dead time and voltage levels. See application notes for details.
- All capacitors should be mounted as close to the terminals as possible. (C1: good temperature, frequency characteristic electrolytic type, and C2, C3: good temperature, frequency and DC bias characteristic ceramic type are recommended.)
- Shows short circuit protection disabled. See application notes for use of short circuit protection.
- Local decoupling frequency filter capacitors must be connected as close as possible to the module's pins.
- The length of the DC link wiring between C5, C6, the DIP's P terminal and the shunt must be minimized to prevent excessive transient voltages. In particular C6 should be mounted as close to the DIP as possible.
- Use high quality, tight tolerance current sensing resistor. Connect resistor as close as possible to the DIP's N terminal. Be careful to check for proper power rating. See application notes for calculation of resistance value.
- Inserting a Zener diode (24V/1W) between each pair of control supply terminals to prevent surge destruction is recommended.

**PS21767**  
**Intellimod™ Module**  
**Dual-In-Line Intelligent Power Module**  
 30 Amperes/600 Volts





**PS21767**  
**Intellimod™ Module**  
**Dual-In-Line Intelligent Power Module**  
 30 Amperes/600 Volts

