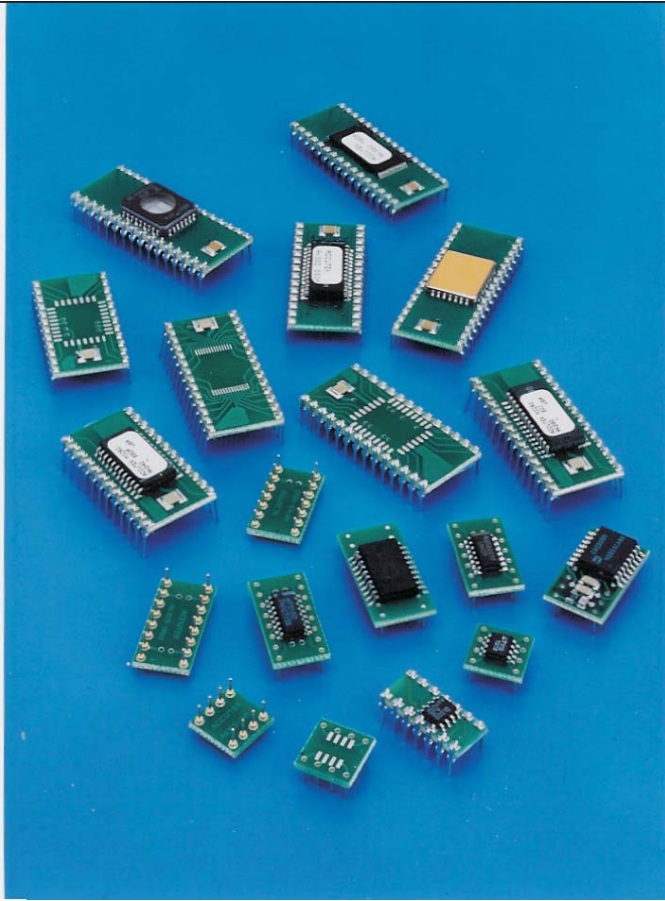


Accutek Microcircuit Corporation

64 Pin to 84 Pin DIP Adapters

DIP ADAPTER MODULES ELIMINATE THE NEED TO REDESIGN MOTHERBOARDS OR MAY BE USED FOR BREADBOARD PROTOTYPING



This new family of Accutek DIP Adapter Modules converts surface mount IC's to pin compatible DIP packages for creating drop-in replacements for end-of-life DIP IC's. Package types supported are: SOJ, PLCC, SOIC, SOP, TSOP, QSOP, HSOP, MSOP, LLP (Leadless Leadframe Package), CSP (Chip Scale Package) and CLCC.

These DIP Adapters were developed for users with motherboard designs that require DIP's, now obsolete by manufacturers. These adapter modules save costly motherboard redesigns.

Available with machined or flat contact pins. Accutek DIP Adapter Modules feature 4 to 84 pins, are fully assembled and tested and may include a decoupling capacitor. These DIP Adapters can be manufactured turnkey or from customer supplied surface mount chips. Modules range in length from 0.200" to 4.200" depending on number of pins and incorporate 0.300", 0.400", 0.600", 0.900", 1.200" and 1.400" row-to-row spacing with 0.100" lead spacing.

Custom configurations up to 200 pins, multi-chip and double sided modules are also available for special functions. A variety of pin lengths with varying diameters as well as custom sizes and spacing can be specified with different materials and finishes. All modules are designed in-house using PCB CAD workstations. Automated assembly and 100% testing are also performed in-house.

FEATURES

- Saves costly redesign of current motherboards
- Fully tested with lifetime limited warranty
- May include an on board decoupling capacitor
- IC assembly and testing available
- EPROM and Flash programming available
- Custom lead lengths available
- Custom multi-chip and double-sided modules available

ORDERING OPTIONS

- Adapter only
- Customer supplies chips - Accutek assembles on Accutek adapters, tests and delivers finished product in antistatic tubes.
- Complete turnkey - Accutek purchases IC's and passives. Then assembles, tests and delivers finished product in antistatic tubes.

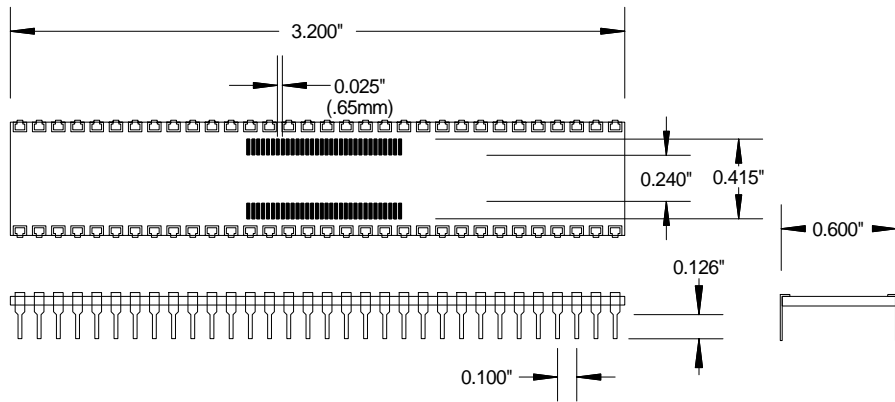


ACCUTEK MICROCIRCUIT CORPORATION

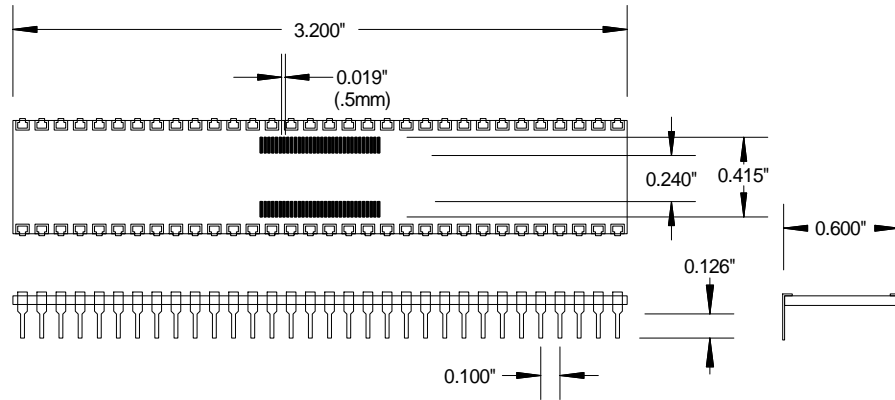
BUSINESS CENTER at NEWBURYPORT
2 NEW PASTURE ROAD, SUITE 1
NEWBURYPORT, MA 01950-4054

PHONE: 978-465-6200 FAX: 978-462-3396
E-Mail: sales@accutekmicro.com
Internet: www.accutekmicro.com

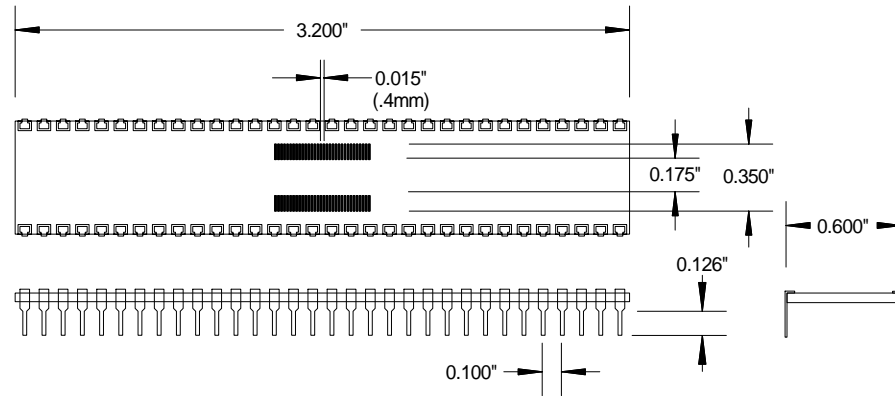
AK64D600-TSSOP.65
 .65MM TSSOP
 TO 64 PIN DIP



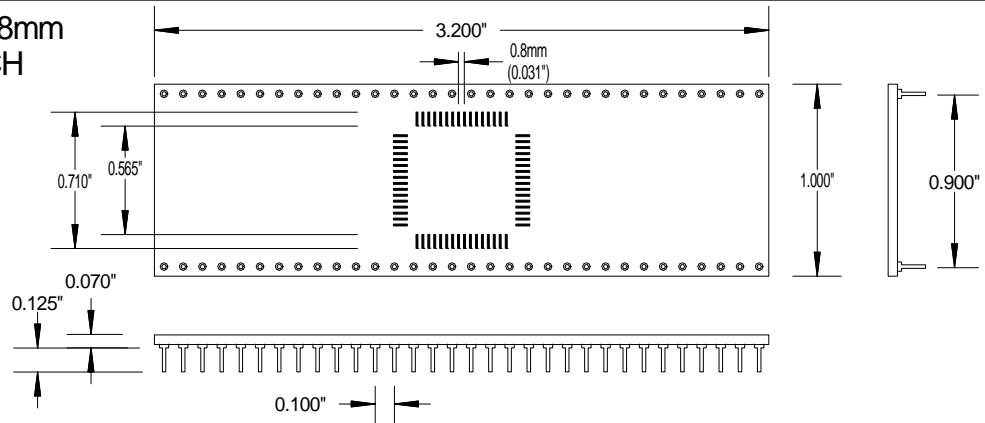
AK64D600-TSSOP.5
 .5MM TSSOP
 TO 64 PIN DIP



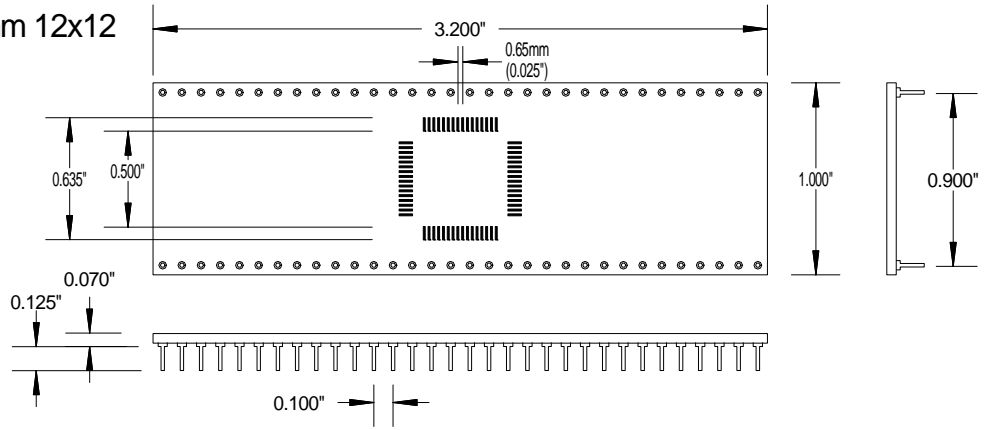
AK64D600-TSSOP.4
 .4MM TSSOP
 TO 64 PIN DIP



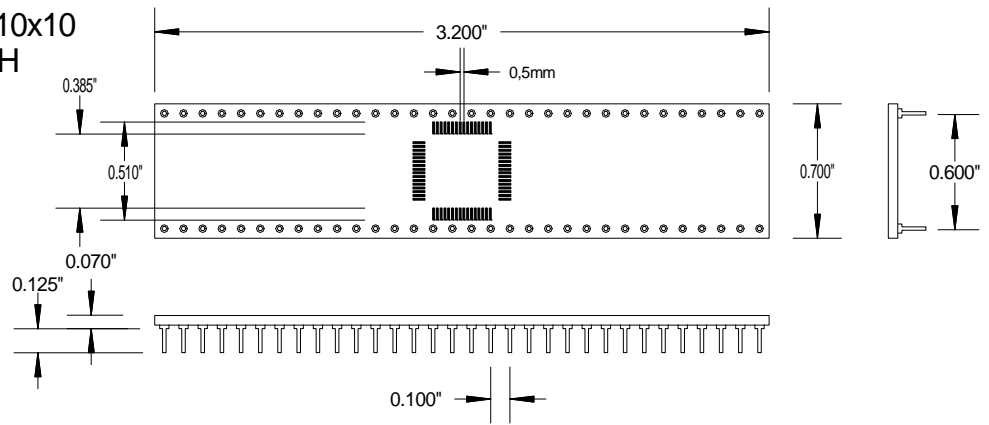
AK64D900-QFP .8mm
 QFP 0.8mm PITCH
 TO 64 PIN DIP

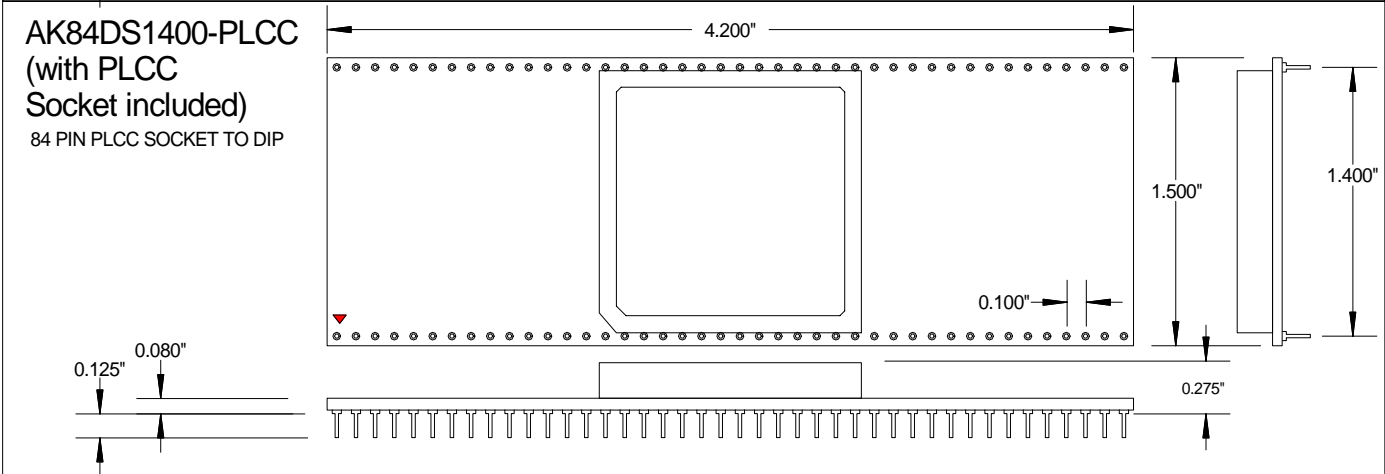
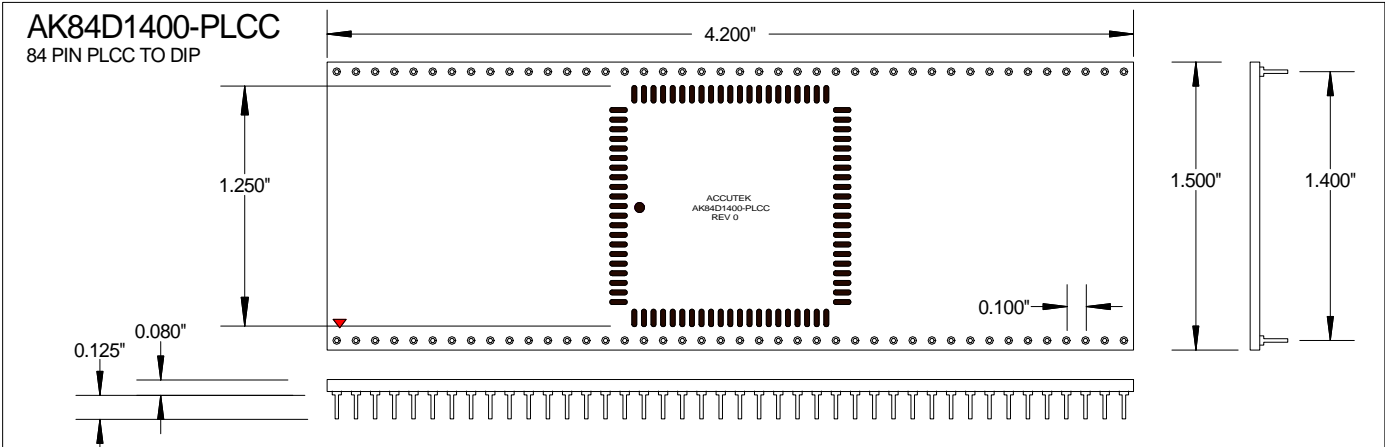
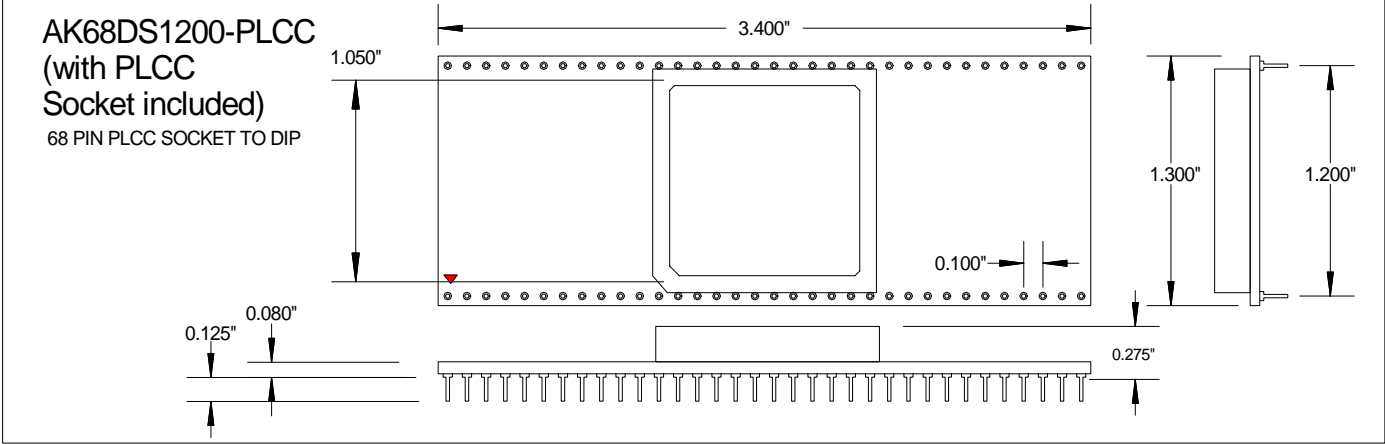
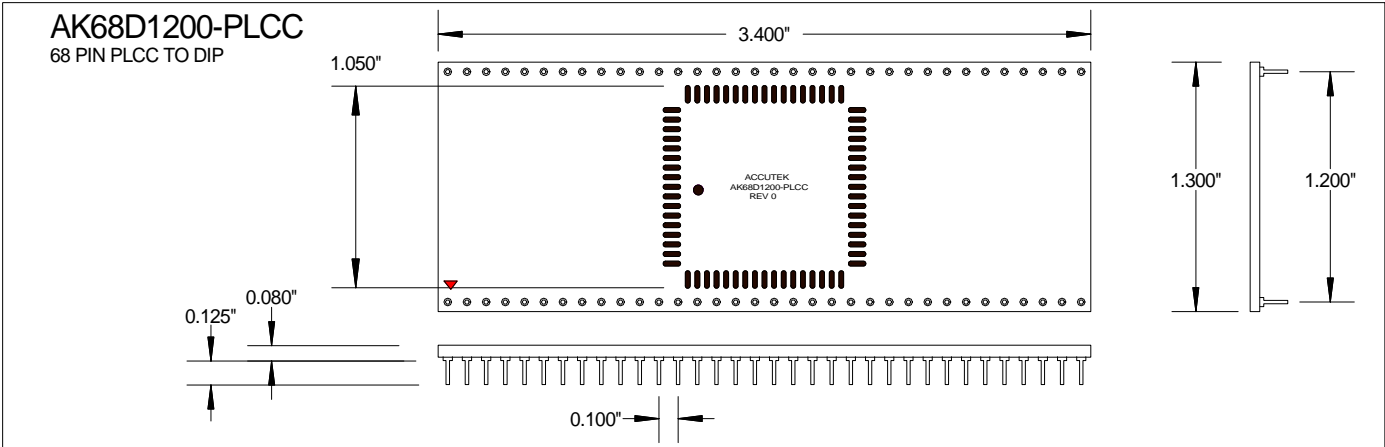


AK64D900-QFP .65mm 12x12
QFP 0.65mm PITCH
TO 64 PIN DIP

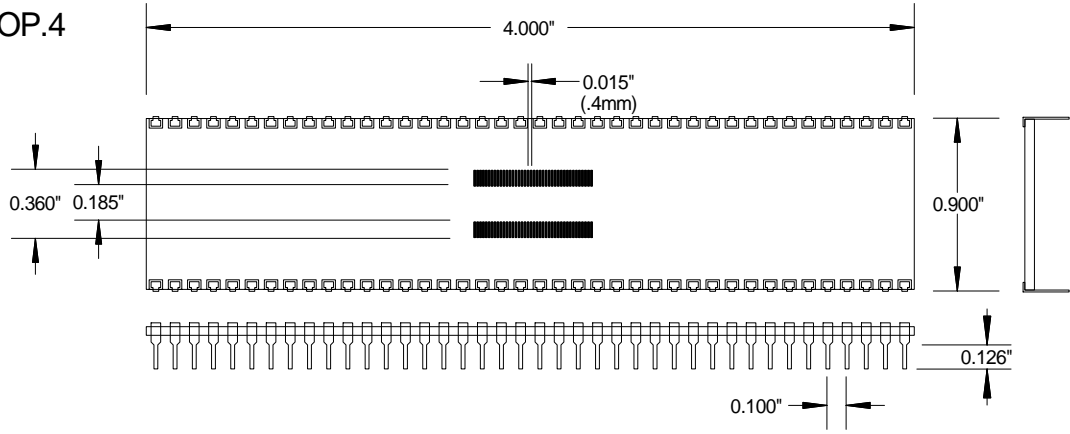


AK64D600-QFP .5mm 10x10
10x10 QFP .5mm PITCH
TO 64 PIN DIP

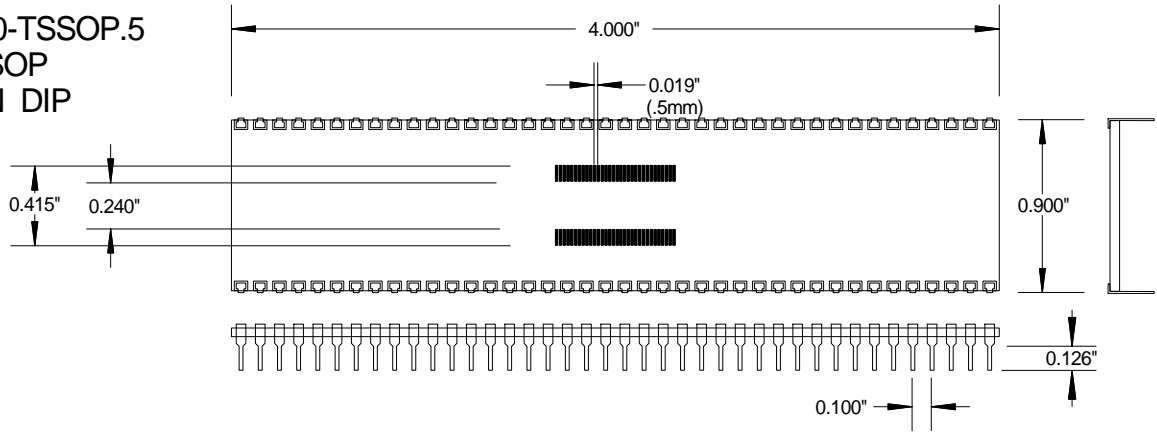




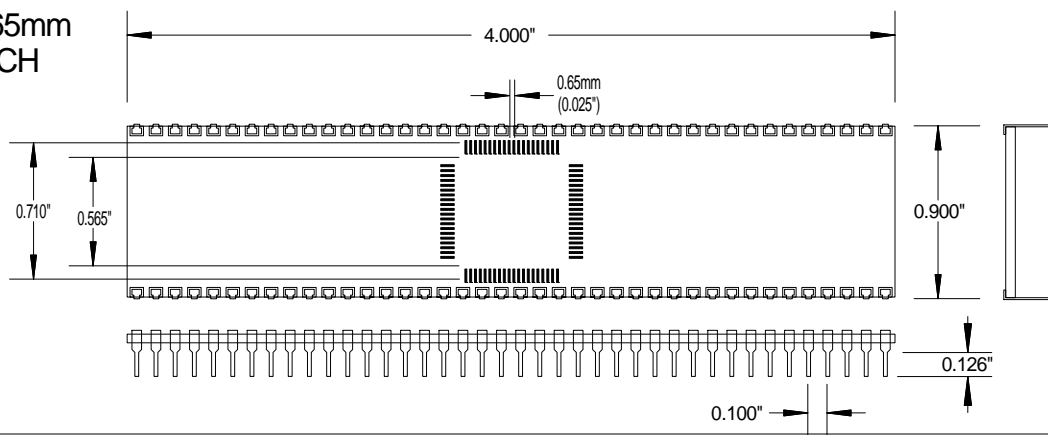
AK80D900-TSSOP.4
 .4MM TSSOP
 TO 80 PIN DIP



AK80D900-TSSOP.5
 .5MM TSSOP
 TO 80 PIN DIP



AK80D900-QFP.65mm
 QFP 0.65mm PITCH
 TO 80 PIN DIP



AK80D900-QFP.5mm
 QFP 0.5mm PITCH
 TO 80 PIN DIP

