

0.56 inch (14.22 mm)

SINGLE DIGIT NUMERIC LED DISPLAYS UVS-5X0XA SERIES

DESCRIPTION

The UVS-5X01A/5X03A is 0.56 inch (14.22mm) height single digit display.
Choices of five colors-high efficiency red/bright red/green/yellow/red orange.
High efficiency red displays has red face and red segments.
Green display has grayface and green segments.
Bright red, yellow and red orange displays have gray face and white segments.
The bright red and green LED chip are made from GaP on a transparent GaP substrate.
The yellow and red orange LED chip are made from GaAsP on a transparent GaP substrate.

FEATURES

- Industry Standard Size
- Wide Viewing angle
- Continuous uniform segments.
- Excellent characters appearance
- Low power requirement

DEVICES

PART NO.	DESCRIPTION	PACKAGE DIMENSION	INTERNAL CIRCUIT DIAGRAM
UVS-5X01A	Common Anode	Fig. 1	Fig. 2
UVS-5X03A	Common Cathode		

ABSOLUTE MAXIMUM RATINGS

@ T_A=25°C

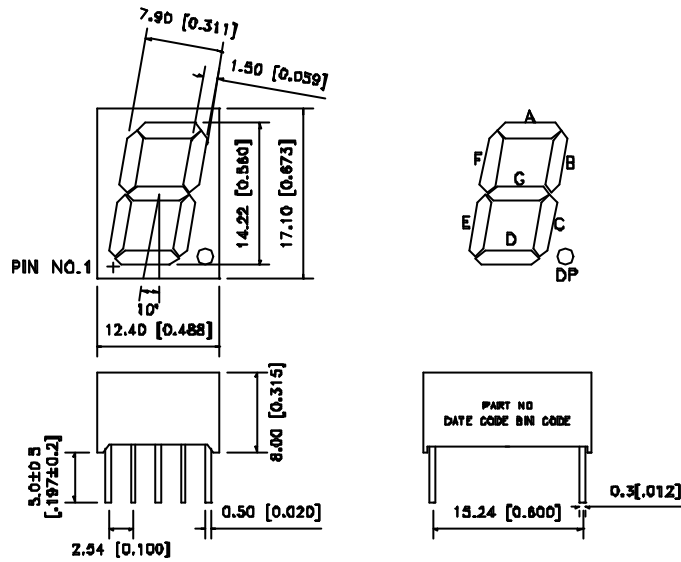
PARAMETER	HLEFF. RED	BRIGHT RED	GREEN	YELLOW	RED ORANGE	UNIT
Power Dissipation Per Segment	75	40	75	60	75	mW
Peak Forward Current Per Segment (1/10 Duty Cycle, .0.1ms pulse width)	100	60	100	80	100	mA
Continuous Forward Current Per Segment	25	15	25	20	25	mA
Derating Linear From 25°C Per Segment	0.33	0.2	0.33	0.27	0.33	mA/°C
Reverse Voltage Per Segment	5	5	5	5	5	V
Operating Temperature Range	-35°Cto+85°C					
Storage Temperature Range	-35°Cto+86°C					
Solder Temperature 1/16 inch Below Seating Plane for 3 Seconds at 260°C						



0.56 inch (14.22 mm)

SINGLE DIGIT NUMERIC LED DISPLAY UVS-5X0XA SERIES

PACKAGE DIMENSIONS



Unit:mm(inches)

Tolerance is ± 0.25mm(0.01")unless otherwise noted

Fig. 1

INTERNAL CIRCUIT DIAGRAM

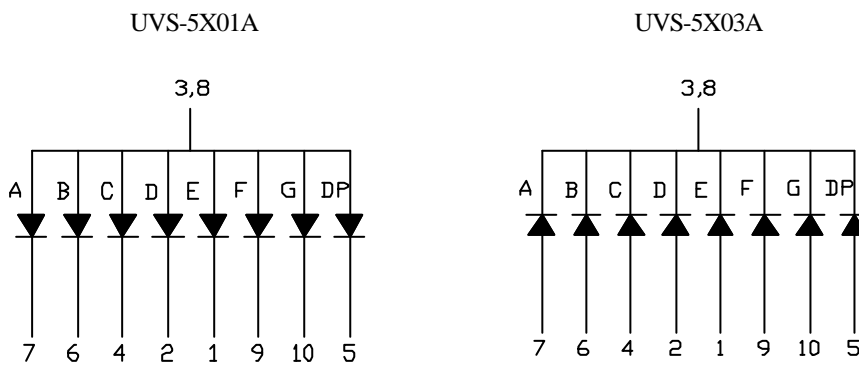


Fig. 2



0.56 inch (14.22 mm)

SINGLE DIGIT NUMERIC LED DISPLAYS UVS-5X0XA SERIES

PIN CONNECTION

PIN	CONNECTION	
	UVS-5X01A	UVS-5X03A
1	CATHODE E	ANODE E
2	CATHODE D	ANODE D
3	COMMON ANODE *	COMMON CATHODE *
4	CATHODE C	ANODE C
5	CATHODE D . P .	ANODE D . P .
6	CATHODE B	ANODE B
7	CATHODE A	ANODE A
8	COMMON ANODE *	COMMON CATHODE *
9	CATHODE F	ANODE F
10	CATHODE G	ANODE G

ELECTRICAL/OPTICAL CHARACTERISTICS

HLEFF. RED (UVS-5301AHR / 5303AHR)

@ T_A=25°C

PARAMETER	SYMBOL	MIN.	TYP.	MAX.	UNIT	TEST CONDITION
Average Luminous Intensity	I _v	800	2400		μcd	I _F = 10 mA
Peak Emission Wavelength	λ _p /Hue		635/623		nm	I _F = 20 mA
Spectral Line Half-Width	Δλ		40		nm	I _F = 20 mA
Forward Voltage, Per Segment	V _F		2.1	2.6	V	I _F = 20 mA
Reverse Current, Per Segment	I _R			100	μA	V _R = 5 V
Luminous Intensity Matching Ratio	I _v - m			2:1		I _F = 10 mA

BRIGHT RED (UVS-5301AP / 5303AP)

@ T_A=25°C

PARAMETER	SYMBOL	MIN.	TYP.	MAX.	UNIT	TEST CONDITION
Average Luminous Intensity	I _v	320	950		μcd	I _F = 10 mA
Peak Emission Wavelength	λ _p /Hue		697/657		nm	I _F = 20 mA
Spectral Line Half-Width	Δλ		90		nm	I _F = 20 mA
Forward Voltage, Per Segment	V _F		2.1	2.6	V	I _F = 20 mA
Reverse Current, Per Segment	I _R			100	μA	V _R = 5 V
Luminous Intensity Matching Ratio	I _v - m			2:1		I _F = 10 mA

0.56 inch (14.22 mm)

SINGLE DIGIT NUMERIC LED DISPLAYS UVS-5X0XA SERIES

ELECTRICAL/OPTICAL CHARACTERISTICS

GREEN (UVS-5601AG / 5603AG)

@ T_A=25 °C

PARAMETER	SYMBOL	MIN.	TYP.	MAX.	UNIT	TEST CONDITION
Average Luminous Intensity	I _V	800	2400		mcd	I _F = 10 mA
Peak Emission Wavelength	λ _p /Hue		565/569		nm	I _F = 20 mA
Spectral Line Half-Width	Δλ		30		nm	I _F = 20 mA
Forward Voltage, Per Segment	V _F		2.1	2.6	V	I _F = 20 mA
Reverse Current, Per Segment	I _R			100	mA	V _R = 5 V
Luminous Intensity Matching Ratio	I _v - m			2:1		I _F = 10 mA

YELLOW (UVS-5701AY / 5703AY)

@ T_A=25 °C

PARAMETER	SYMBOL	MIN.	TYP.	MAX.	UNIT	TEST CONDITION
Average Luminous Intensity	I _V	800	2400		μcd	I _F = 10 mA
Peak Emission Wavelength	λ _p /Hue		585/588		nm	I _F = 20 mA
Spectral Line Half-Width	Δλ		35		nm	I _F = 20 mA
Forward Voltage, Per Segment	V _F		2.1	2.6	V	I _F = 20 mA
Reverse Current, Per Segment	I _R			100	μA	V _R = 5 V
Luminous Intensity Matching Ratio	I _v - m			2:1		I _F = 10 mA

RED ORANGE (UVS-5501AE / 5503AE)

@ T_A=25 °C

PARAMETER	SYMBOL	MIN.	TYP.	MAX.	UNIT	TEST CONDITION
Average Luminous Intensity	I _V	800	2400		μcd	I _F = 10 mA
Peak Emission Wavelength	λ _p /Hue		630/621		nm	I _F = 20 mA
Spectral Line Half-Width	Δλ		40		nm	I _F = 20 mA
Forward Voltage, Per Segment	V _F		2.0	2.6	V	I _F = 20 mA
Reverse Current, Per Segment	I _R			100	μA	V _R = 5 V
Luminous Intensity Matching Ratio	I _v - m			2:1		I _F = 10 mA

0.56 inch (14.22 mm)

SINGLE DIGIT NUMERIC LED DISPLAYS UVS-5X0XA SERIES

TYPICAL ELECTRICAL/OPTICAL CHARACTERISTIC CURVES

(Ambient Temperature =25°C Unless Otherwise Noted)

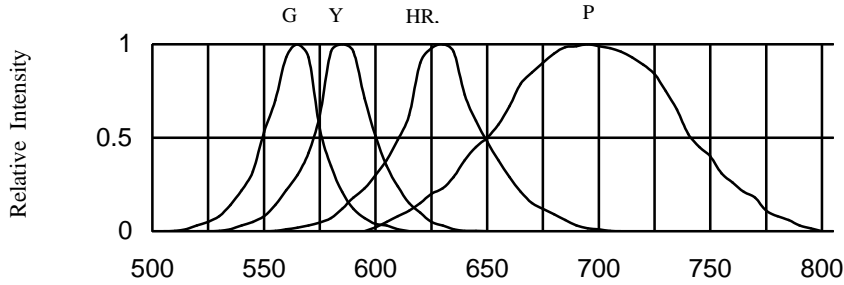


FIG.1 RELATIVE LUMINOUS INTENSITY VS. WAVELENGTH

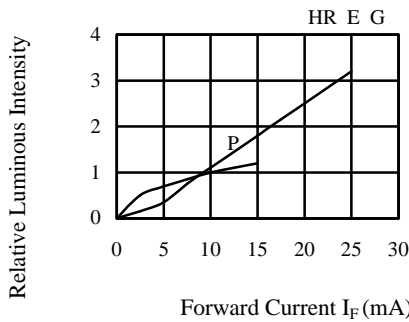


FIG.2 RELATIVE LUMINOUS INTENSITY VS. FORWARD CURRENT

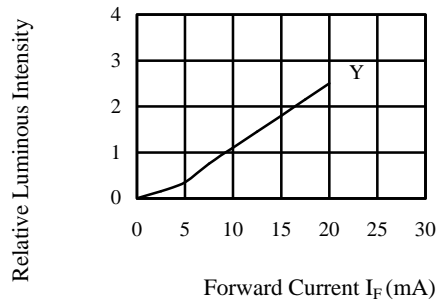


FIG.2-1 RELATIVE LUMINOUS INTENSITY VS. FORWARD CURRENT

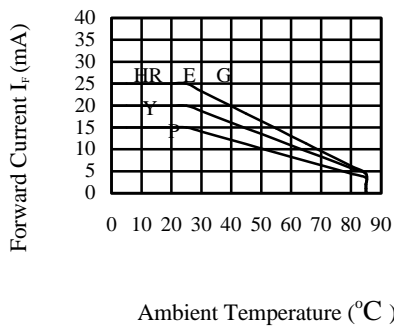


FIG.3 ALLOWABLE DC CURRENT VS. AMBIENT TEMPERATURE

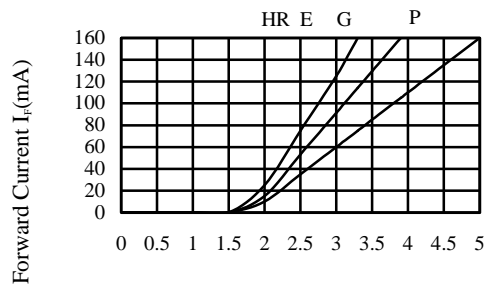


FIG.4 FORWARD CURRENT VS. FORWARD VOLTAGE