

## LOW POWER DUAL CMOS VOLTAGE COMPARATOR

- WIDE SINGLE SUPPLY RANGE OR DUAL SUPPLIES **3V TO 16V** OR  $\pm 1.5V$  TO  $\pm 8V$
- VERY LOW SUPPLY CURRENT:  
0.1mA/COMP INDEPENDENT OF SUPPLY VOLTAGE
- EXTREMELY LOW INPUT BIAS CURRENT :  
**1pA typ**
- EXTREMELY LOW INPUT OFFSET CURRENTS : **1pA typ**
- LOW INPUT OFFSET VOLTAGE
- INPUT COMMON-MODE VOLTAGE RANGE INCLUDES GND
- LOW OUTPUT SATURATION VOLTAGE  
150mV TYP
- OUTPUT COMPATIBLE WITH TTL, MOS AND CMOS
- HIGH INPUT IMPEDANCE :  $10^{12}\Omega$  typ
- FAST RESPONSE TIME : 200ns TYP FOR TTL LEVEL INPUT STEP

### DESCRIPTION

These devices consist of two independent precision voltage comparators, designed to operate with single or dual supplies.

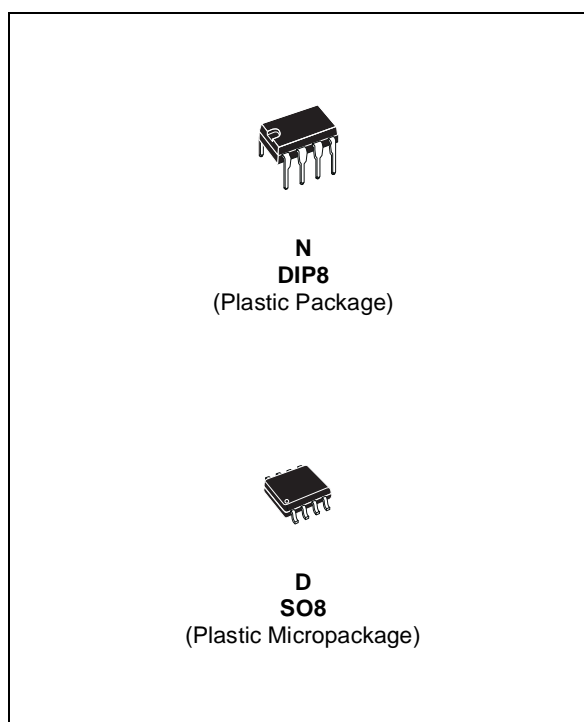
These differential comparators use the STMicroelectronics silicon lin MOS process giving them an excellent consumption-speed ratio.

These devices are ideally suited for low consumption applications.

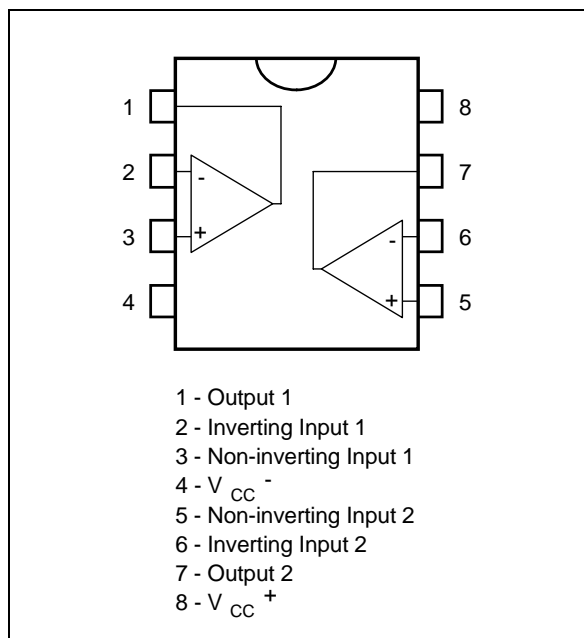
### ORDER CODE

Part Number	Temperature Range	Package	
		N	D
TS372C	0°C, +70°C	•	•
TS372I	-40°C, +125°C	•	•
TS372M	-55°C, +125°C	•	•

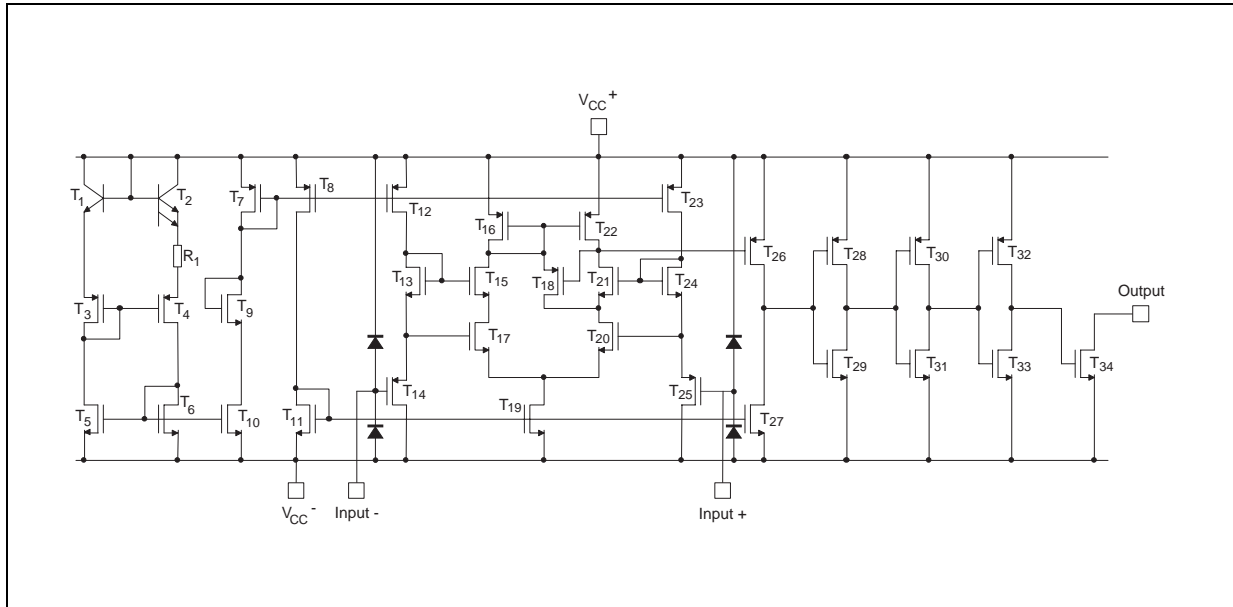
N = Dual in Line Package (DIP)  
D = Small Outline Package (SO) - also available in Tape & Reel (DT)



### PIN CONNECTIONS (top view)



**SCHEMATIC DIAGRAM** (for 1/2 TS372)



**ABSOLUTE MAXIMUM RATINGS**

Symbol	Parameter	Value	Unit
$V_{CC}^+$	Supply Voltage <sup>1)</sup>	18	V
$V_{id}$	Differential Input Voltage <sup>2)</sup>	±18	V
$V_i$	Input Voltage <sup>3)</sup>	18	V
$V_o$	Output Voltage	18	V
$I_o$	Output Current	20	mA
$I_F$	Forward Current in ESD Protection Diodes on Input <sup>4)</sup>	50	mA
	Duration of Output-Circuit to GND <sup>5)</sup>	Infinite	
$p_d$	Power Dissipation <sup>6)</sup>	DIP8 710 SO8	mW
$T_{stg}$	Storage Temperature Range	-65 to +150	°C
$T_j$	Junction Temperature	+150	°C

1. All voltage values, except differential voltage, are with respect to network ground terminal.
2. Differential voltages are the non-inverting input terminal with respect to the inverting input terminal.
3. The magnitude of the input and the output voltages must never exceed the magnitude of the positive supply voltage.
4. Guaranteed by design.
5. Short circuit from outputs to  $V_{CC}^+$  can cause excessive heating and eventual destruction.
6.  $p_d$  is calculated with  $T_{amb} = +25^\circ\text{C}$ ,  $T_j = +150^\circ\text{C}$  and  $R_{thja} = 100^\circ\text{C/W}$  for DIP8 package  
 $= 175^\circ\text{C/W}$  for SO8 package

**OPERATING CONDITIONS**

Symbol	Parameter	Value	Unit
$V_{CC}^+$	Supply Voltage	3 to 16	V
$V_{icm}$	Common Mode Input Voltage Range	0 to $V_{CC}^+ - 1.5$	V
$T_{oper}$	Operating Free-Air Temperature range	TS372C TS372I TS372M	°C
		0 to +70 -40 to +125 -55 to +125	

**ELECTRICAL CHARACTERISTICS**
 $V_{CC}^+ = 5V$ ,  $V_{CC}^- = 0V$ ,  $T_{amb} = 25^\circ C$  (unless otherwise specified)

Symbol	Parameter	Min.	Typ.	Max.	Unit
$V_{io}$	Input Offset Voltage ( $V_{ic} = V_{icm \text{ min.}}$ ) <sup>1)</sup> $T_{amb} = 25^\circ C$ $T_{min.} \leq T_{amb} \leq T_{max.}$		2	10 12	mV
$I_{io}$	Input Offset Current <sup>2)</sup> $T_{amb} = 25^\circ C$ $T_{min.} \leq T_{amb} \leq T_{max.}$		1	100 200	pA
$I_{ib}$	Input Offset Current - see note 2 $T_{amb} = 25^\circ C$ $T_{min.} \leq T_{amb} \leq T_{max.}$		1	150 300	pA
$V_{icm}$	Input Common Mode Voltage Range $T_{amb} = 25^\circ C$ $T_{min.} \leq T_{amb} \leq T_{max.}$	0 0 0		$V_{CC}^+ - 2$ $V_{CC}^+ - 2.25$ $V_{CC}^+ - 2.5$	V
$I_{OH}$	High Level Output Current ( $V_{id} = 1V$ ) $T_{amb} = 25^\circ C$ $T_{min.} \leq T_{amb} \leq T_{max.}$		0.1	1	nA $\mu A$
$V_{OL}$	Low Level Output Voltage ( $V_{id} = -1$ , $I_{OL} = 4mA$ ) $T_{amb} = 25^\circ C$ $T_{min.} \leq T_{amb} \leq T_{max.}$		100	400 700	mV
$I_{OL}$	Low Level Output Current ( $V_{id} = -1$ , $V_{OL} = 1.5V$ )	6	45		mA
$I_{CC}$	Supply Current (each comparator) ( $V_{id} = 1V$ , no load)		150	375	$\mu A$

1. The specified offset voltage is the maximum value required to drive the output down to 400mV or to 4V with  $R_L = 100k\Omega$  to  $V_{CC}^+$

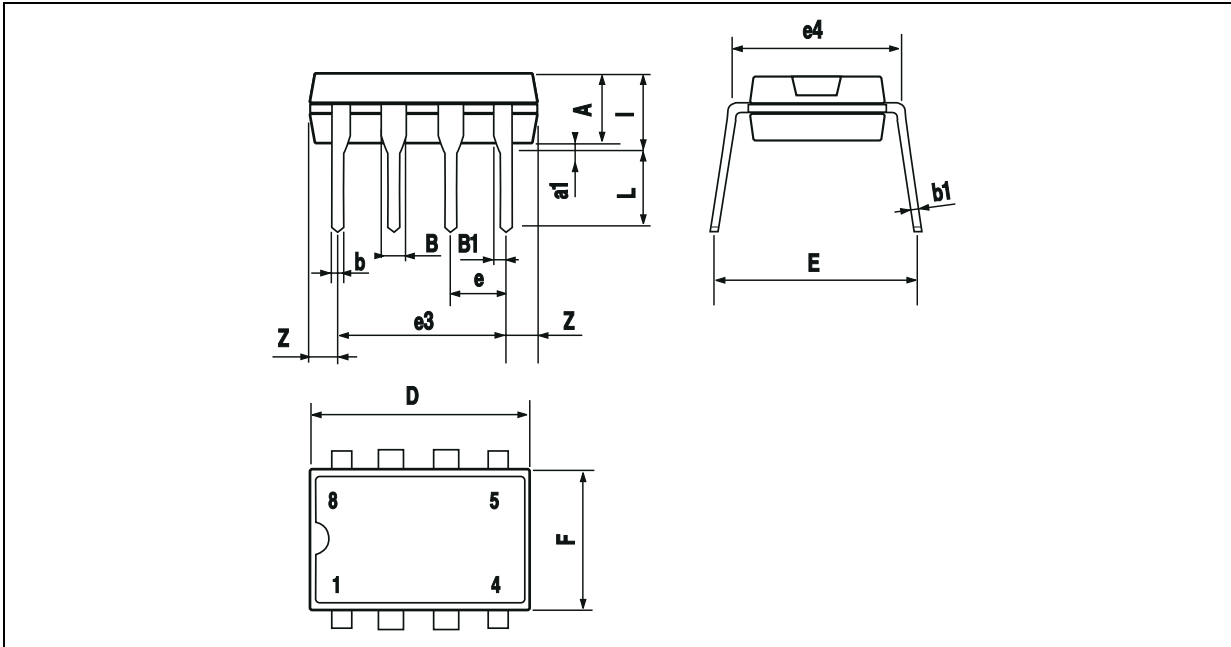
2. Maximum values including unavoidable inaccuracies of the industrial test.

**SWITCHING CHARACTERISTICS** ( $V_{CC}^+ = 5V$ ,  $T_{amb} = 25^\circ C$ )

Symbol	Parameter	Min.	Typ.	Max.	Unit
$t_{re}$	Response Time ( $R_L = 5.1k\Omega$ connected to 5V, $C_L = 15pF$ ) <sup>1)</sup> 100mV input step with 5mV overdrive TTL level input step		600 200		ns

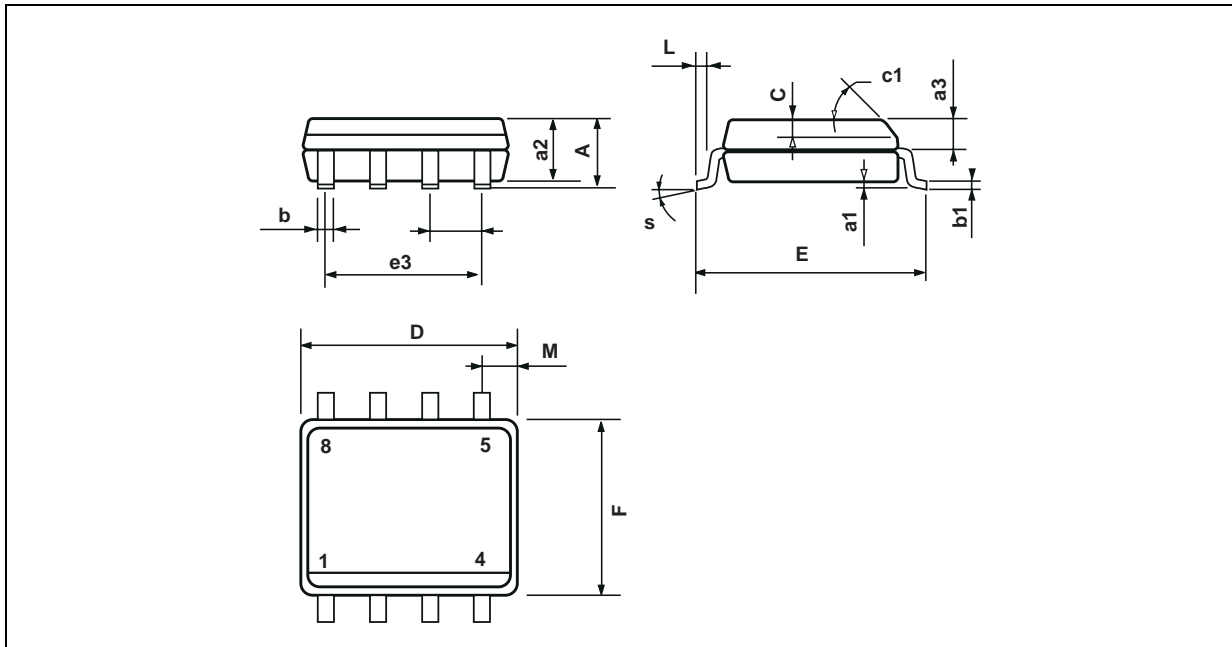
1. The response time which is specified is the interval between the input signal and the instant when the output signal crosses 1.4V.

**PACKAGE MECHANICAL DATA**  
8 PINS - PLASTIC DIP



Dimensions	Millimeters			Inches		
	Min.	Typ.	Max.	Min.	Typ.	Max.
A		3.32			0.131	
a1	0.51			0.020		
B	1.15		1.65	0.045		0.065
b	0.356		0.55	0.014		0.022
b1	0.204		0.304	0.008		0.012
D			10.92			0.430
E	7.95		9.75	0.313		0.384
e		2.54			0.100	
e3		7.62			0.300	
e4		7.62			0.300	
F			6.6			0.260
i			5.08			0.200
L	3.18		3.81	0.125		0.150
Z			1.52			0.060

**PACKAGE MECHANICAL DATA**  
8 PINS - PLASTIC MICROPACKAGE (SO)



Dimensions	Millimeters			Inches		
	Min.	Typ.	Max.	Min.	Typ.	Max.
A			1.75			0.069
a1	0.1		0.25	0.004		0.010
a2			1.65			0.065
a3	0.65		0.85	0.026		0.033
b	0.35		0.48	0.014		0.019
b1	0.19		0.25	0.007		0.010
C	0.25		0.5	0.010		0.020
c1	45° (typ.)					
D	4.8		5.0	0.189		0.197
E	5.8		6.2	0.228		0.244
e		1.27			0.050	
e3		3.81			0.150	
F	3.8		4.0	0.150		0.157
L	0.4		1.27	0.016		0.050
M			0.6			0.024
S	8° (max.)					

Information furnished is believed to be accurate and reliable. However, STMicroelectronics assumes no responsibility for the consequences of use of such information nor for any infringement of patents or other rights of third parties which may result from its use. No license is granted by implication or otherwise under any patent or patent rights of STMicroelectronics. Specifications mentioned in this publication are subject to change without notice. This publication supersedes and replaces all information previously supplied. STMicroelectronics products are not authorized for use as critical components in life support devices or systems without express written approval of STMicroelectronics.

© The ST logo is a registered trademark of STMicroelectronics

© 2002 STMicroelectronics - Printed in Italy - All Rights Reserved  
STMicroelectronics GROUP OF COMPANIES

Australia - Brazil - Canada - China - Finland - France - Germany - Hong Kong - India - Israel - Italy - Japan - Malaysia  
Malta - Morocco - Singapore - Spain - Sweden - Switzerland - United Kingdom - United States

© <http://www.st.com>