

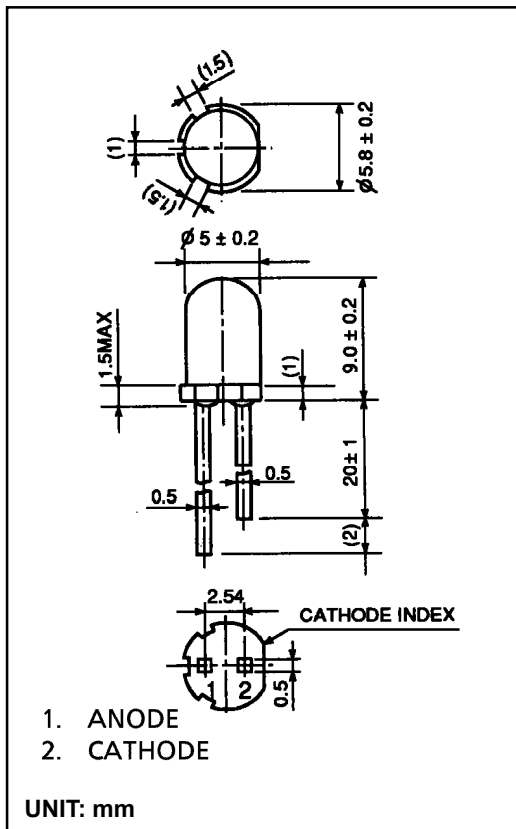
TLGE158P

Product Features -

- InGaAlP Technology
- 5mm Diameter T-1¾ Package
- High Luminous Intensity
- Water Clear Lens
- Fast Response Time, Capable of Pulse Operation

MAXIMUM RATINGS (Ta = 25°C)

| CHARACTERISTIC | SYMBOL | RATING | UNIT |
|-----------------------|-----------|-----------|------|
| Forward Current | I_F | 50 | mA |
| Reverse Voltage | V_R | 4 | V |
| Power Dissipation | P_D | 140 | mW |
| Operating Temperature | T_{opr} | -30 ~ 85 | °C |
| Storage Temperature | T_{stg} | -40 ~ 120 | °C |



OPTO-ELECTRICAL CHARACTERISTICS (Ta = 25°C)

| CHARACTERISTIC | SYMBOL | TEST CONDITION | MIN. | TYP. | MAX. | UNIT |
|--------------------------|-----------------|---------------------|------|------|------|---------------|
| Forward Voltage | V_F | $I_F = 20\text{mA}$ | — | 2.27 | 2.8 | V |
| Reverse Current | I_R | $V_R = 4\text{V}$ | — | — | 50 | μA |
| Luminous Intensity | I_V | $I_F = 20\text{mA}$ | 270 | 700 | — | mcd |
| Viewing Angle | $2\theta_{1/2}$ | — | — | 28 | — | ° |
| Peak Wavelength | λ_p | $I_F = 20\text{mA}$ | — | 574 | — | nm |
| Dominant Wavelength | λ_d | $I_F = 20\text{mA}$ | — | 571 | — | nm |
| Spectral Line Half Width | $\Delta\lambda$ | $I_F = 20\text{mA}$ | — | 11 | — | nm |

* Luminous Ranks: (Q : 320-640mcd), (R : 560-1120mcd), (S : 1000-2000mcd) Upper and lower limit tolerance $\pm 15\%$
Available in One Bin Combination: (QR)

TLGE158P Graphs -

