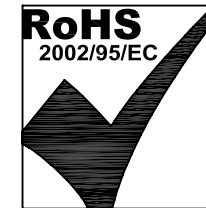


NOTES:

1.0 PINS WITHOUT ELECTRICAL CONNECTION ARE OMITTED.

ELECTRICAL SPECIFICATIONS:

- |      |   |  |
|------|---|--|
| 1.0  | URNS RATIO: (P6-P5-P4) : (J6-J3)                  | : 1CT : 1 ±3%                            |
|      | (P3-P2-P1) : (J2-J1)                              | : 1CT : 1 ±3%                            |
| 2.0  | INDUCTANCE: (P6-P4)                               | : 350uH MIN. @ 0.1V, 100KHz, 8mA DC Bias |
|      | (P3-P1)   | : 350uH MIN. @ 0.1V, 100KHz, 8mA DC Bias |
| 3.0  | LEAKAGE INDUCTANCE: P6-P4 (WITH J6 AND J3 SHORT)  | : 0.3 MAX. @ 1MHz                        |
|      | P3-P1 (WITH J2 AND J1 SHORT)                      | : 0.3 MAX. @ 1MHz                        |
| 4.0  | INTERWINDING CAPACITANCE: (P6,P5,P4) TO (J6,J3)   | : 30pf MAX @ 1MHz                        |
|      | (P3,P2,P1) TO (J2,J1)                             | : 30pf MAX @ 1MHz                        |
| 5.0  | DC RESISTANCE: (J1-J2)                            | : 1.2 ohms Max.                          |
|      | (P6-P4)   | : 1.2 ohms Max.                          |
| 6.0  | RETURN LOSS: 1MHz TO 30MHz                        | : 18dB MIN.                              |
|      | 60MHz TO 80MHz                                    | : 12dB MIN.                              |
| 7.0  | DIELECTRIC WITHSTAND: (J1, J2) TO (P1, P3)        | : 1500 VAC                               |
|      | (J3, J6) TO (P4, P6)                              | : 1500 VAC                               |
| 8.0  | INSERTION LOSS: 100KHz TO 100MHz                  | : 1.1 dB TYP                             |
| 9.0  | RISE TIME: OUTPUT VOLTAGE = 1 V peak              | : 3.0 nS MAX                             |
|      | PULSE WIDTH= 112nS                                | : 3.0 nS MAX                             |
| 10.0 | CROSS TALK: 1MHz TO 100MHz                        | : 35 dB TYP                              |
| 11.0 | COMMON TO COMMON MODE ATTENUATION: 1MHz TO 100MHz | : 35 dB TYP                              |



Bel Stewart Connector  
 11118 Susquehanna Trail, South  
 Glen Rock, Pa 17327-9199  
 717.234.7512

**MagJack®**

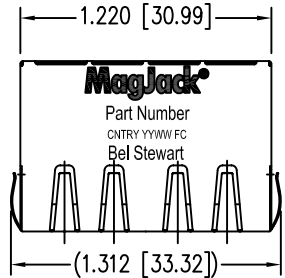
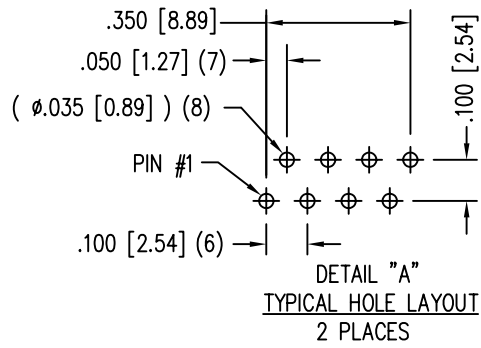
<http://www.stewartconnector.com>

THIS DRAWING AND THE SUBJECT MATTER SHOWN THEREON ARE CONFIDENTIAL AND PROPERTY OF BEL STEWART CONNECTOR AND SHALL NOT BE REPRODUCED, COPIED, OR USED IN ANY MANNER WITHOUT PRIOR WRITTEN CONTENT OF BEL STEWART CONNECTOR. THE SUBJECT MATTER MAY BE PATENTED OR A PATENT MAY BE PENDING.

SHEET 1 OF 3

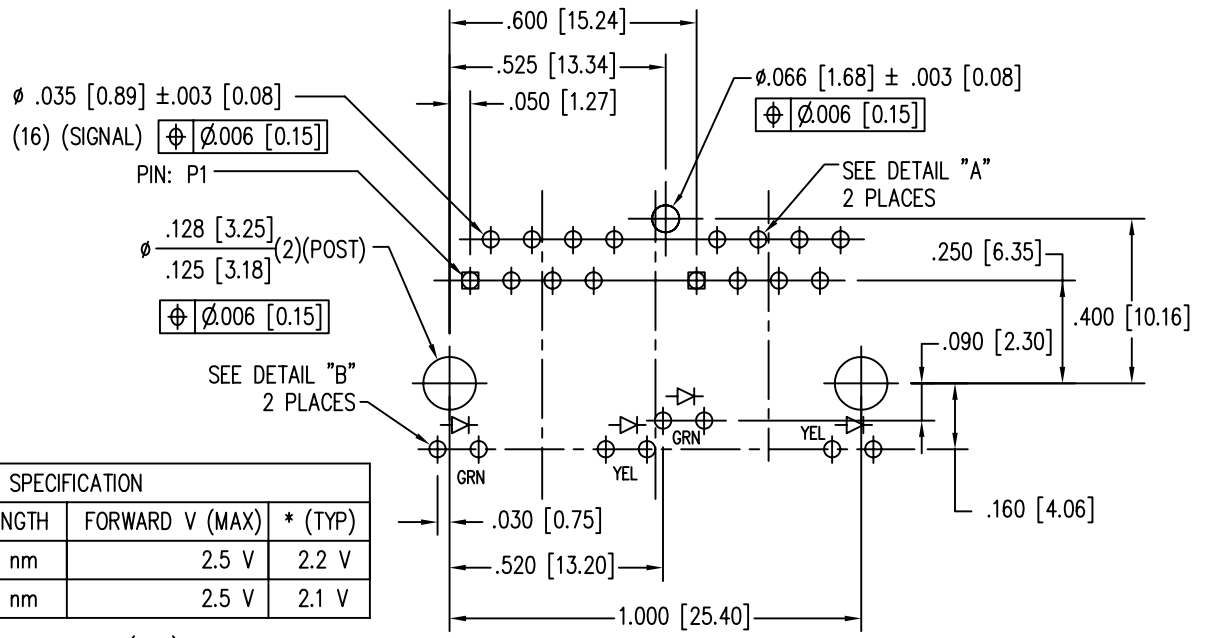
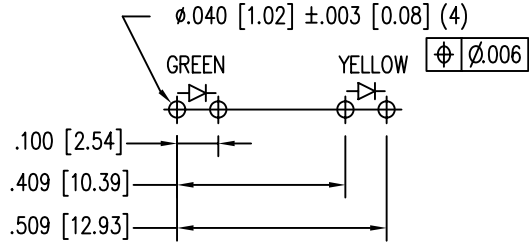
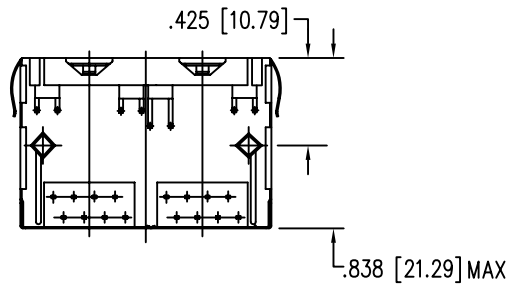
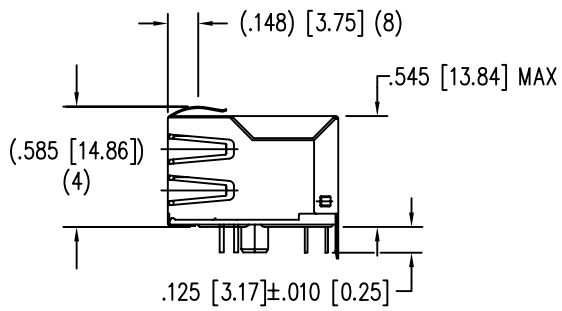
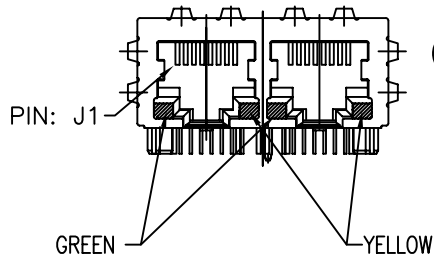
DRAWING NO. SI-60109-F

REV. 02



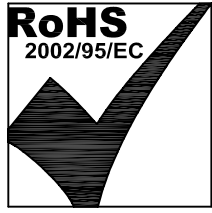
LED SPECIFICATION			
STANDARD LED	WAVELENGTH	FORWARD V (MAX)	* (TYP)
GREEN	565 nm	2.5 V	2.2 V
YELLOW	590 nm	2.5 V	2.1 V

\*WITH A FORWARD CURRENT OF 20 mA (TYP)



P.C.B. RECOMMENDED HOLE LAYOUT  
SEEN FROM COMPONENT SIDE

ALL CENTERLINE DIMENSIONS ARE BASIC.



NOTES:

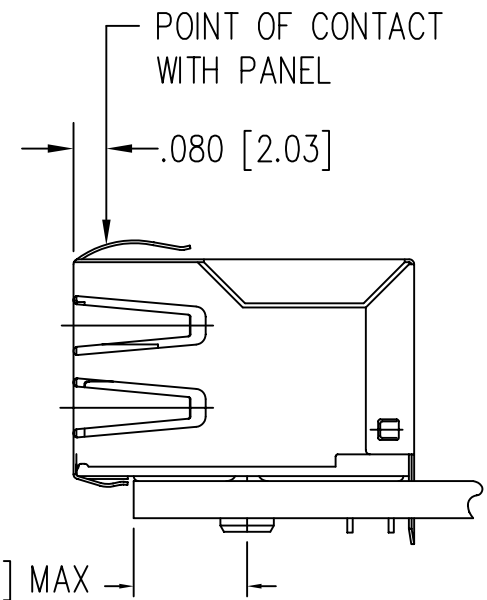
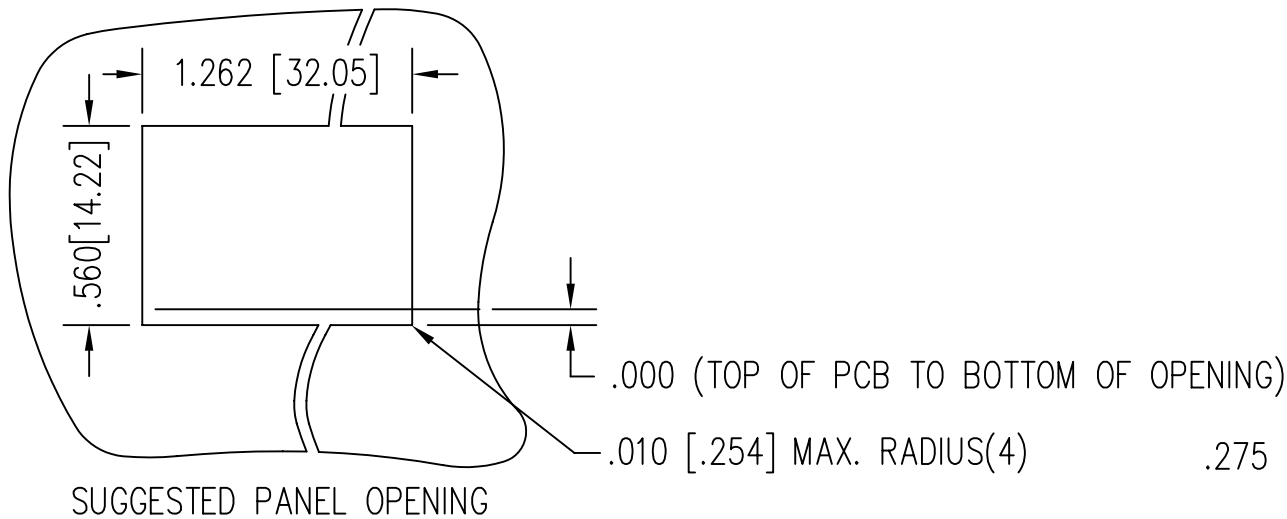
- CONNECTOR MATERIALS:  
HOUSING: THERMOPLASTIC UL94 V-0  
CONTACT/SHIELD: COPPER ALLOY  
SHIELD PLATING: NICKEL OR TIN  
CONTACT PLATING: SELECTIVE GOLD,  
50 MICRO-INCHES MIN. IN CONTACT AREA.
- PIN NOT ELECTRICALLY CONNECTED MAYBE OMITTED.  
SEE ELECTRICAL DRAWING FOR OMITTED PINS.
- TOLERANCES COMPLY WITH F.C.C. DIMENSION REQUIREMENTS.
- ALL TOLERANCES NOT OTHERWISE SPECIFIED TO BE ±.005 [0.13]
- REFLOW AND WAVE SOLDER COMPATIBLE-260°C FOR  
10 SECONDS MAX.

Bel Stewart Connector  
11118 Susquehanna Trail, South  
Glen Rock, Pa 17327-9199  
717.234.7512



<http://www.stewartconnector.com>

THIS DRAWING AND THE SUBJECT MATTER SHOWN THEREON ARE CONFIDENTIAL AND PROPERTY OF BEL STEWART CONNECTOR AND SHALL NOT BE REPRODUCED, COPIED, OR USED IN ANY MANNER WITHOUT PRIOR WRITTEN CONTENT OF BEL STEWART CONNECTOR. THE SUBJECT MATTER MAY BE PATENTED OR A PATENT MAY BE PENDING.



1. THE SUGGESTED PANEL OPENING IS INTENDED TO GIVE THE USER THE ABILITY TO HAVE REASONABLE JACK / PANEL CLEARANCES YET MAINTAIN RELIABLE GROUNDING CAPABILITY.
2. ALL TOLERANCES NOT OTHERWISE SPECIFIED TO BE  $\pm 0.005$  [0.13]

Bel Stewart Connector  
 11118 Susquehanna Trail, South  
 Glen Rock, Pa 17327-9199  
 717.234.7512

**MagJack®**

<http://www.stewartconnector.com>

THIS DRAWING AND THE SUBJECT MATTER SHOWN THEREON ARE CONFIDENTIAL AND PROPERTY OF BEL STEWART CONNECTOR AND SHALL NOT BE REPRODUCED, COPIED, OR USED IN ANY MANNER WITHOUT PRIOR WRITTEN CONTENT OF BEL STEWART CONNECTOR. THE SUBJECT MATTER MAY BE PATENTED OR A PATENT MAY BE PENDING.

SHEET  
3 OF 3

DRAWING NO.  
SI-60109-F

REV.  
01