

ELECTRICAL SPECIFICATIONS:

- 1.0 TURNS RATIO: (P2-P1) : (J2-J1) : 1 : 2.42 ± 3%
(P4-P3) : (J5-J4) : 1 : 2.42 ± 3%
- 2.0 INDUCTANCE: (P2-P1) ; (P4-P3) : 1.2mH MIN. @ 0.1V, 100KHz
- 3.0 LEAKAGE INDUCTANCE: P2-P1 (WITH J2 AND J1 SHORT) : 0.5 MAX. @ 1MHz
P3-P4 (WITH J5 AND J4 SHORT) : 0.5 MAX. @ 1MHz
- 4.0 INTERWINDING CAPACITANCE: (P2,P1) TO (J2,J1) : 35pf MAX @ 1MHz
(P3,P4) TO (J5,J4) : 35pf MAX. @ 1MHz
- 5.0 DC RESISTANCE: (P3-P4) ; (P2-P1) : .8 ohms Max.
- 6.0 DIELECTRIC WITHSTAND: (P3-P4) TO (J5-J4) : 1500VAC
(P2-P1) TO (J2-J1) : 1500VAC
- 7.0 RETURN LOSS : (J1-J2 & J4-J5) 100 OHM REF.
51KHz TO 102KHz : 12dB MIN
102KHz TO 2.048MHz : 18dB MIN
2.048MHz TO 3.072MHz : 14dB MIN

NOTE: 17 OHMS CONNECTED TO PINS P1-P2 & P3-P4

NOTES

1.0 PINS WITHOUT ELECTRICAL CONNECTION ARE OMITTED.

Bel Stewart Connector
11118 Susquehanna Trail, South
Glen Rock, Pa 17327-9199
717.234.7512

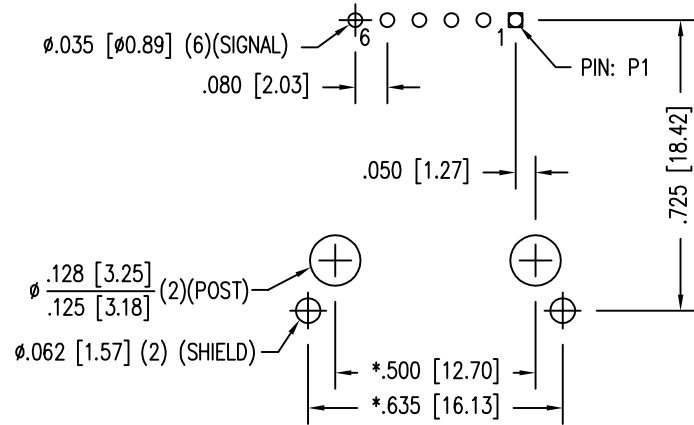
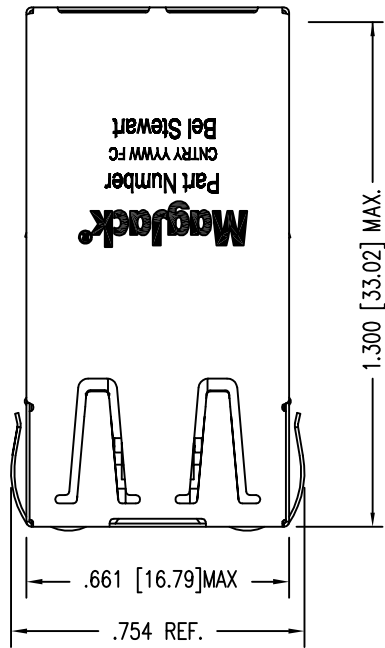
MagJack

<http://www.stewartconnector.com>

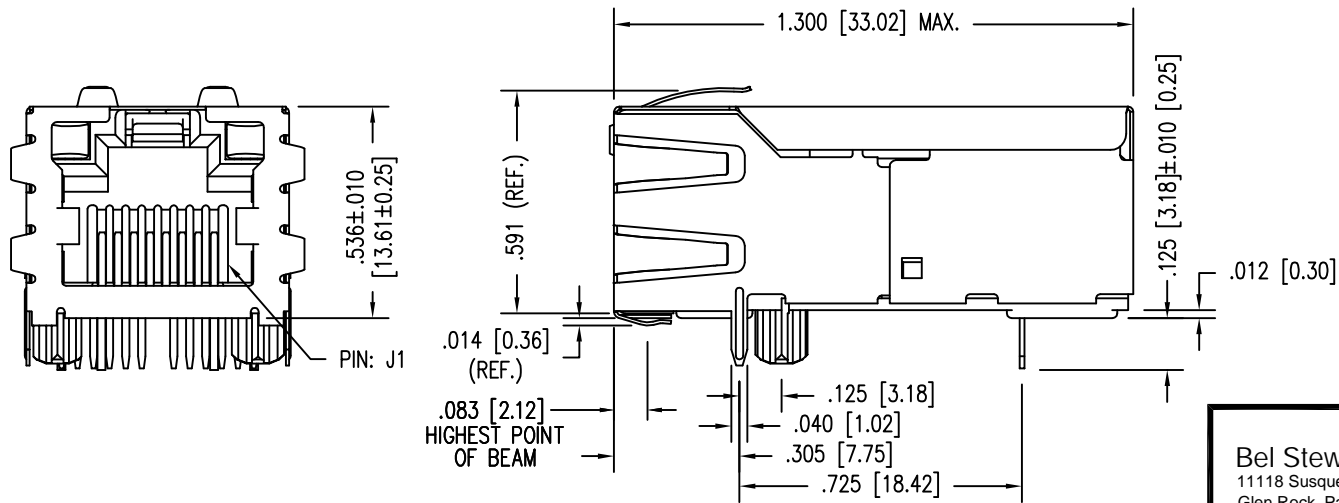
THIS DRAWING AND THE SUBJECT MATTER SHOWN THEREON ARE CONFIDENTIAL AND PROPERTY OF BEL STEWART CONNECTOR AND SHALL NOT BE REPRODUCED, COPIED, OR USED IN ANY MANNER WITHOUT PRIOR WRITTEN CONTENT OF BEL STEWART CONNECTOR. THE SUBJECT MATTER MAY BE PATENTED OR A PATENT MAY BE PENDING.

SHEET
1 OF 3

DRAWING NO. SI-53007 REV. 01



P.C.B. RECOMMENDED HOLE LAYOUT
 SEEN FROM COMPONENT SIDE
 TOLERANCE $\pm .003$ [0.08] UNLESS OTHERWISE SPECIFIED



NOTES:

- CONNECTOR MATERIALS:
 HOUSING: THERMOPLASTIC UL94 V-0
 CONTACT/SHIELD: COPPER ALLOY
 SHIELD PLATING: NICKEL OR TIN
 CONTACT PLATING: SELECTIVE GOLD,
 50 MICRO-INCHES MIN. IN CONTACT AREA.
- PIN NOT ELECTRICALLY CONNECTED MAYBE OMITTED.
 SEE ELECTRICAL DRAWING FOR OMITTED PINS.
- TOLERANCES COMPLY WITH F.C.C. DIMENSION REQUIREMENTS.
- THE SUGGESTED PANEL OPENING IS INTENDED TO GIVE
 USER THE ABILITY TO HAVE REASONABLE JACK/PANEL
 CLEARANCES, YET MAINTAIN GROUNDING CAPABILITY.
- SOLDER REFLOW COMPATABLE - 230°C/90 SEC MAX.

Bel Stewart Connector
 11118 Susquehanna Trail, South
 Glen Rock, Pa 17327-9199
 717.234.7512

MagJack[®]

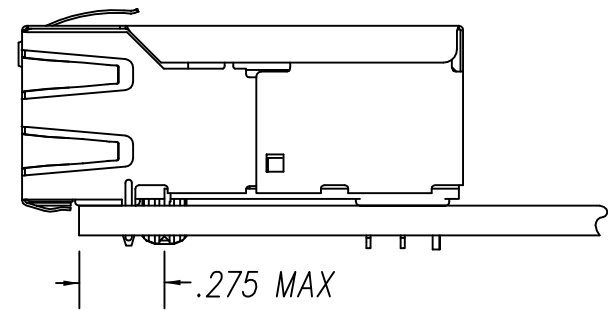
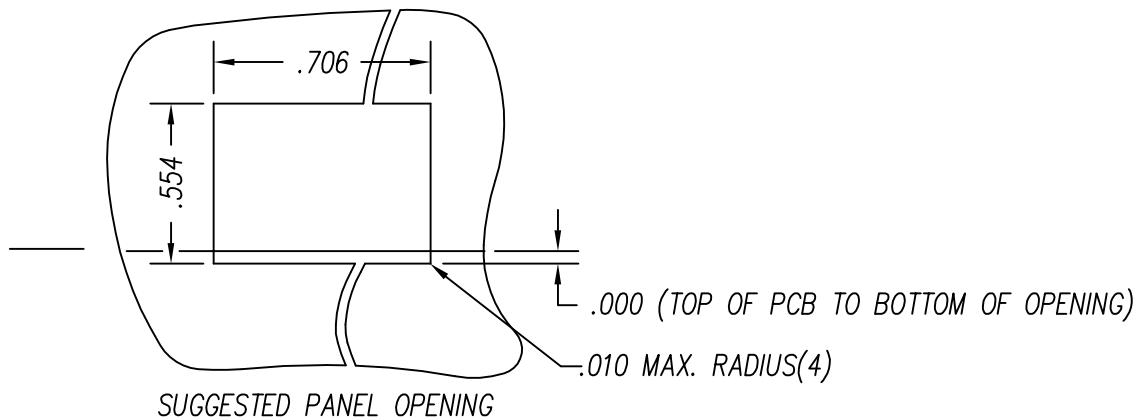
<http://www.stewartconnector.com>

THIS DRAWING AND THE SUBJECT MATTER SHOWN THEREON ARE CONFIDENTIAL AND PROPERTY OF BEL STEWART CONNECTOR AND SHALL NOT BE REPRODUCED, COPIED, OR USED IN ANY MANNER WITHOUT PRIOR WRITTEN CONTENT OF BEL STEWART CONNECTOR. THE SUBJECT MATTER MAY BE PATENTED OR A PATENT MAY BE PENDING.

SHEET
2 OF 3

DRAWING NO.

SI-53007 REV. 01



THE SUGGESTED PANEL OPENING IS INTENDED TO GIVE THE USER THE ABILITY TO HAVE REASONABLE JACK / PANEL CLEARANCES YET MAINTAIN RELIABLE GROUNDING CAPABILITY.

CT720034X1/24-0259

Bel Stewart Connector
 11118 Susquehanna Trail, South
 Glen Rock, Pa 17327-9199
 717.234.7512

MagJack

<http://www.stewartconnector.com>

THIS DRAWING AND THE SUBJECT MATTER SHOWN THEREON ARE CONFIDENTIAL AND PROPERTY OF BEL STEWART CONNECTOR AND SHALL NOT BE REPRODUCED, COPIED, OR USED IN ANY MANNER WITHOUT PRIOR WRITTEN CONTENT OF BEL STEWART CONNECTOR. THE SUBJECT MATTER MAY BE PATENTED OR A PATENT MAY BE PENDING.

SHEET
3 OF 3

DRAWING NO.

SI-53007 REV. 01