



PRELIMINARY

SOLID STATE DEVICES, INC

14849 Firestone Boulevard · La Mirada, CA 90638
Phone: (714) 670-SSDI (7734) · Fax: (714) 522-7424

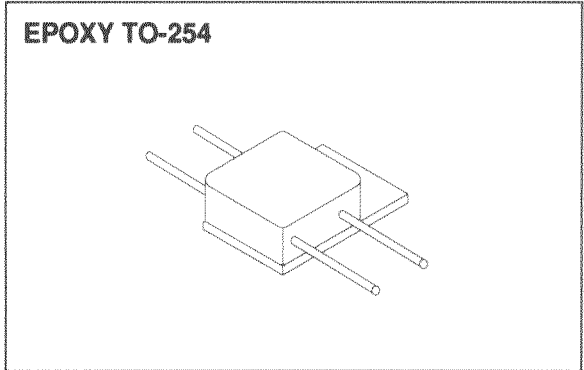
**SFA1202ME4
thru
SFA1204ME4**

Designer's Data Sheet

- FEATURES:**
- Hyper Fast Recovery: 20 nsec Maximum
 - Isolated Low Profile Package
 - Hermetically Sealed SHF1204 Discretes
 - Higher Voltages Available
 - 150°C Operating Temperature
 - Low Reverse Leakage Current
 - For High Efficiency Applications

 - TX and TXV Screening Available

**10 AMP
200-400 VOLTS
20 nsec
HYPER FAST
SINGLE PHASE BRIDGE
RECTIFIER**



MAXIMUM RATINGS

RATING	SYMBOL	VALUE	UNIT
Peak Repetitive Reverse and DC Blocking Voltage Per Leg SFA1202ME4 SFA1203ME4 SFA1204ME4	VRRM VRWM VR	200 300 400	Volts
Average Rectified Forward Current (Resistive Load, 60Hz, Sine Wave, TA=55°C)	IO	10	Amps
Surge Current (Single 8.3 ms Pulse, Half Sine Superimposed on IO, TA=55°C)	IFSM	125	Amps
Operating and storage temperature	Top & Tstg	-55 to +150	°C
Maximum Thermal Resistance Junction to Case, all legs tied together	RθJC	2.5	°C/W

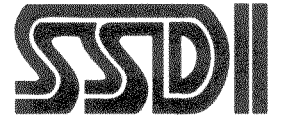
NOTE: All specifications are subject to change without notification.
SCD's for these devices should be reviewed by SSDI prior to release.

DATA SHEET #: RH0079 A

RMD

**SFA1202ME4
thru
SFA1204ME4**

PRELIMINARY



SOLID STATE DEVICES, INC

14849 Firestone Boulevard · La Mirada, CA 90638
Phone: (714) 670-SSDI (7734) · Fax: (714) 522-7424

ELECTRICAL CHARACTERISTICS (Per Leg)

CHARACTERISTICS	SYMBOL	MAXIMUM	UNIT
Instantaneous Forward Voltage Drop ($I_F = 1.2 \text{ A dc}$, $T_A = 25^\circ \text{ C}$, 300 μs Pulse)	V_F	1.4	Vdc
Instantaneous Forward Voltage Drop ($I_F = 2 \text{ A dc}$, $T_A = 25^\circ \text{ C}$, 300 μs Pulse)	V_F	1.6	Vdc
Reverse Leakage Current (Rated V_R , $T_A = 25^\circ \text{ C}$, 300 μs pulse minimum)	I_R	10	μA
Reverse Leakage Current (Rated V_R , $T_A = 100^\circ \text{ C}$, 300 μs pulse minimum)	I_R	1	mA
Junction Capacitance ($V_R = 10 \text{ Vdc}$, $T_A = 25^\circ \text{ C}$, $f = 1 \text{ MHz}$)	C_J	20	pf
Reverse Recovery Time ($I_F = 500 \text{ mA}$, $I_R = 1 \text{ A}$, $I_{RR} = 250 \text{ mA}$, $T_A = 25^\circ \text{ C}$) ($I_F = 500 \text{ mA}$, $I_R = 1 \text{ A}$, $I_{RR} = 250 \text{ mA}$, $T_A = 100^\circ \text{ C}$)	trr	20 50	nsec

CASE OUTLINE: TO-254 ME-4

