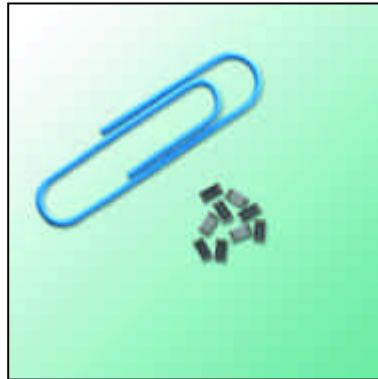
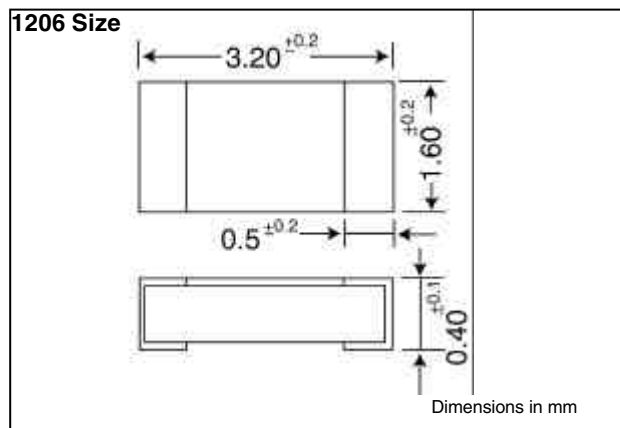


25ppm/°C 0.1% Precision Thin Film Chip RR1632 Series



RR Precision surface mount chip resistors provide excellent temperature stability combined with low noise and good high frequency response. The resistive element is a Ni-Cr film and the wrap around terminations are solder plated with a leach resistant Nickel barrier. They are suitable for all soldering methods including vapour phase, reflow and wave soldering.

- 25ppm/°C
- 0.1%



Specifications:

| | |
|--------------------------------------|---|
| T.C. | $\pm 25\text{ppm}/^\circ\text{C}$ |
| Power rating | 1/8 W |
| Max. operating voltage | 150 V |
| Operating Temp. Range | -55°C to $+125^\circ\text{C}$ |
| Maximum Ambient Temp. at Rated Power | $+70^\circ\text{C}$ |
| Insulation resistance | Over 1,000 M Ω |