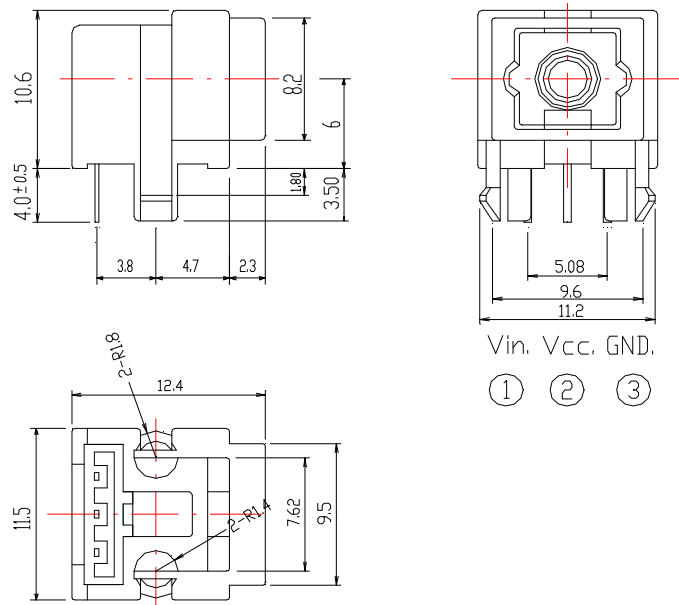


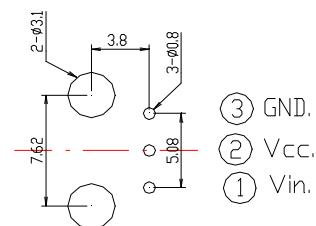
Features

1. Uni-directional data transmission using plastic fiber
2. Signal transmission speed
:MAX. 8 Mbps (NRZ signal)
3. Operating voltage :4.75 to 5.25 V
4. TTL and high speed C-MOS LOGIC IC compatible

Outline Dimensions



Recommended drilling as viewd from the soldering face



NOTES:

Tolerance is $\pm 0.3\text{mm}$ unless otherwise noted.

Absolute Maximum Ratings

@ $T_A=25^\circ\text{C}$

Parameter	Symbol	Rating	Unit
Supply voltage	V_{cc}	-0.5 to + 7.0	V
Input voltage	V_{in}	-0.5 to $V_{cc} + 0.5$	V
Operating temperature	T_{opr}	-20 to +70	$^\circ\text{C}$
Storage temperature	T_{stg}	-40 to +70	$^\circ\text{C}$
Soldering temperature ^{*1}	T_{sol}	260	$^\circ\text{C}$

^{*1} For 5s (2 times or less)

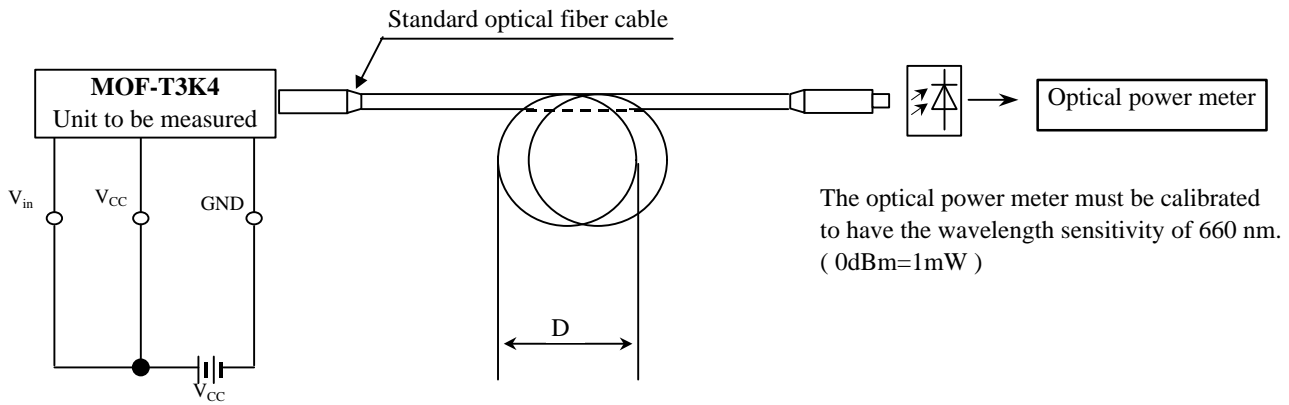
Recommended Operating Conditions

Parameter	Symbol	MIN.	TYP.	MAX.	Unit
Operating supply voltage	V_{cc}	4.75	5.0	5.25	V
Operating transfer rate	T	---	---	8	Mbps

Electro-Optical Characteristics

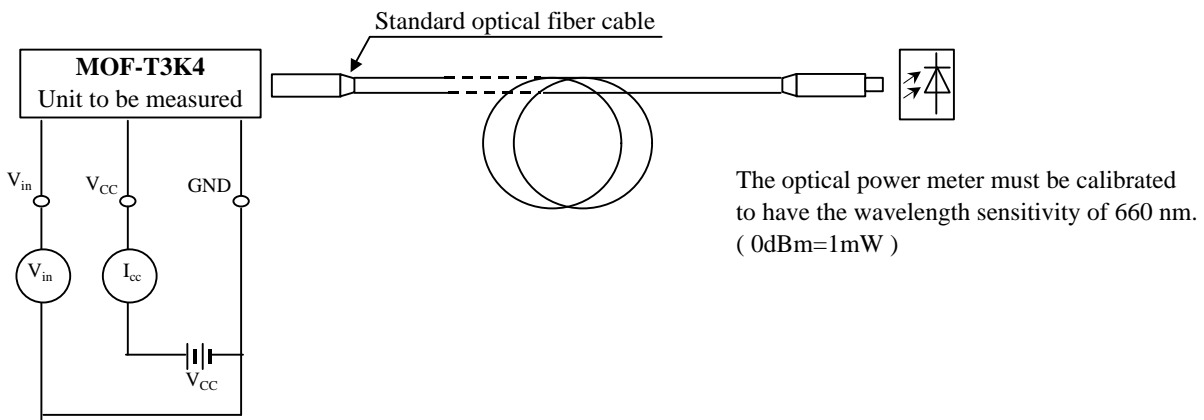
Parameter	Symbol	Conditions	MIN.	TYP.	MAX.	Unit
Peak emission wavelength	λ_p		630	660	690	nm
Optical power output coupling with fiber	P_c	Refer to Fig. 1	-21	-18	-15	dBm
Dissipation current	I_{cc}	Refer to Fig. 2	---	8	13	mA
High level input voltage	V_{iH}	Refer to Fig. 2	2.1	---	V_{cc}	V
Low level input voltage	V_{iL}	Refer to Fig. 2	---	---	0.8	V
Low High delay time	t_{pLH}	Refer to Fig. 3	---	120	---	ns
High Low delay time	t_{pHL}	Refer to Fig. 3	---	120	---	ns
Pulse width distortion	Δ_{tw}	Refer to Fig. 3	-25	---	+25	ns

Fig. 1 Measuring Method of Optical Output Coupling with Fiber



Notes (1) $V_{cc}=5.0V$ (State of operating)
 (2) To bundle up the standard fiber optic cable, make it into a loop with the diameter $D=10cm$ or more.

Fig. 2 Measuring Method of Input Voltage and Supply Current

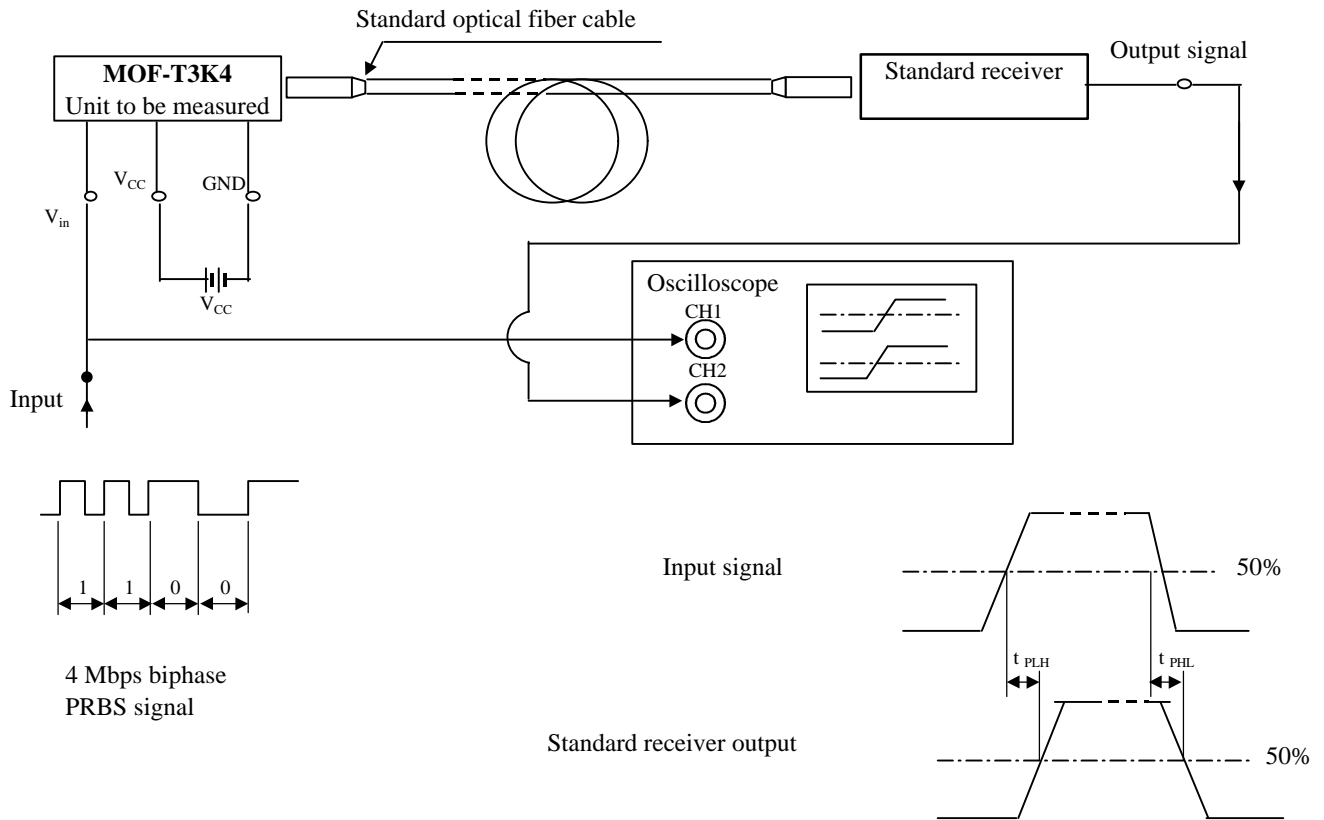


Input conditions and judgement method

Conditions	Judgement method
$V_{in}=2.1V$ or more	$-21dBm \leq P_c \leq -15dBm$, $I_{cc}=13mA$ or less
$V_{in}=0.8V$ or less	$P_c \leq -36dBm$, $I_{cc}=13mA$ or less

Note: $V_{cc}=5.0V$ (State of operating)

Fig.3 Measuring Method of Pulse Response



Test item

Test item	Symbol	Test condition
Low High pulse delay time	t _{PLH}	Refer to the above prescriptions
High Low pulse delay time	t _{PHL}	Refer to the above prescriptions
Pulse width distortion	Δtw	Δtw=t _{PHL} - t _{PLH}

Notes (1) The waveform write time shall be 4 seconds. But do not allow the waveform to be distorted by increasing the brightness too much.

(2) V_{CC}=5.0 (State of operating)

(3) The probe for the oscilloscope must be more than 1M and less than 10pF.