

Low Noise Dual Operational Amplifier

- Low voltage noise: **4.5nV/√Hz**
- High gain bandwidth product: **15MHz**
- High slew rate: **7V/μs**
- Low distortion: 0.002%
- Large output voltage swing: +14.3V / -14.6V
- Low input offset voltage
- Excellent frequency stability
- ESD protection 2kV
- Macromodel included in this specification

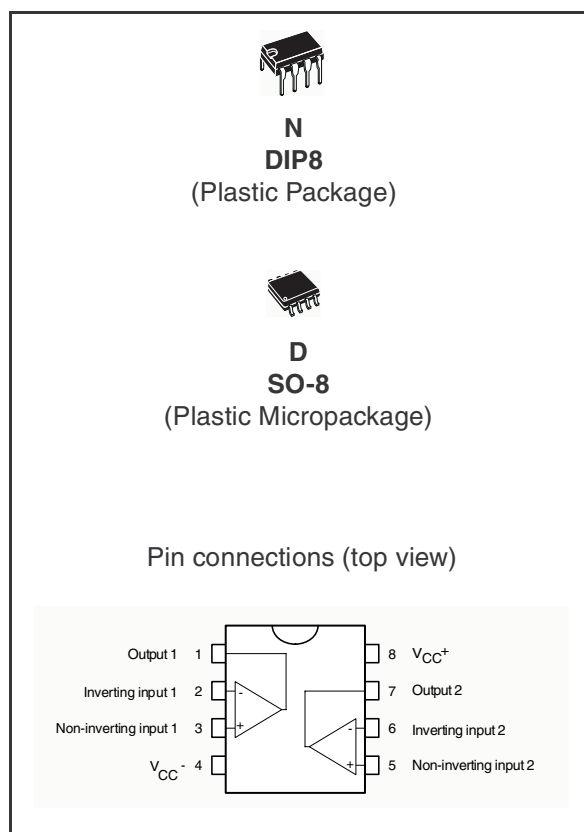
Description

The MC33078 is a monolithic dual operational amplifier particularly well suited for audio applications.

It offers low voltage noise (4.5nV/√Hz) and high frequency performances (15MHz gain bandwidth product, 7V/μs slew rate).

In addition, the MC33078 has a very low distortion (0.002%) and excellent phase/gain margins.

The output stage allows a large output voltage swing and symmetrical source and sink currents.



Order Codes

| Part Number | Temperature Range | Package | Packing | Marking |
|---------------|-------------------|-------------------------------|---------------------|----------|
| MC33078N | -40, +105°C | DIP8 | Tube | MC33078N |
| MC33078D/DT | | SO-8 | Tube or Tape & Reel | 33078 |
| MC33078YD/YDT | | SO-8 (automotive grade level) | | 33078Y |

1 Absolute Maximum Ratings

Table 1. Key parameters and their absolute maximum ratings

| Symbol | Parameter | Value | Unit |
|------------|--|-------------------|------|
| V_{CC} | Supply Voltage | ± 18 or $+36$ | V |
| V_{id} | Differential Input Voltage - note ⁽¹⁾ | ± 30 | V |
| V_i | Input Voltage - see note 1 | ± 15 | V |
| | Output Short Circuit Duration | Infinite | s |
| T_{oper} | Operating Free-Air Temperature Range | -40 to 105 | °C |
| T_j | Junction Temperature | +150 | °C |
| T_{stg} | Storage Temperature | -65 to +150 | °C |
| P_{tot} | Maximum Power Dissipation - note ⁽²⁾ | 500 | mW |

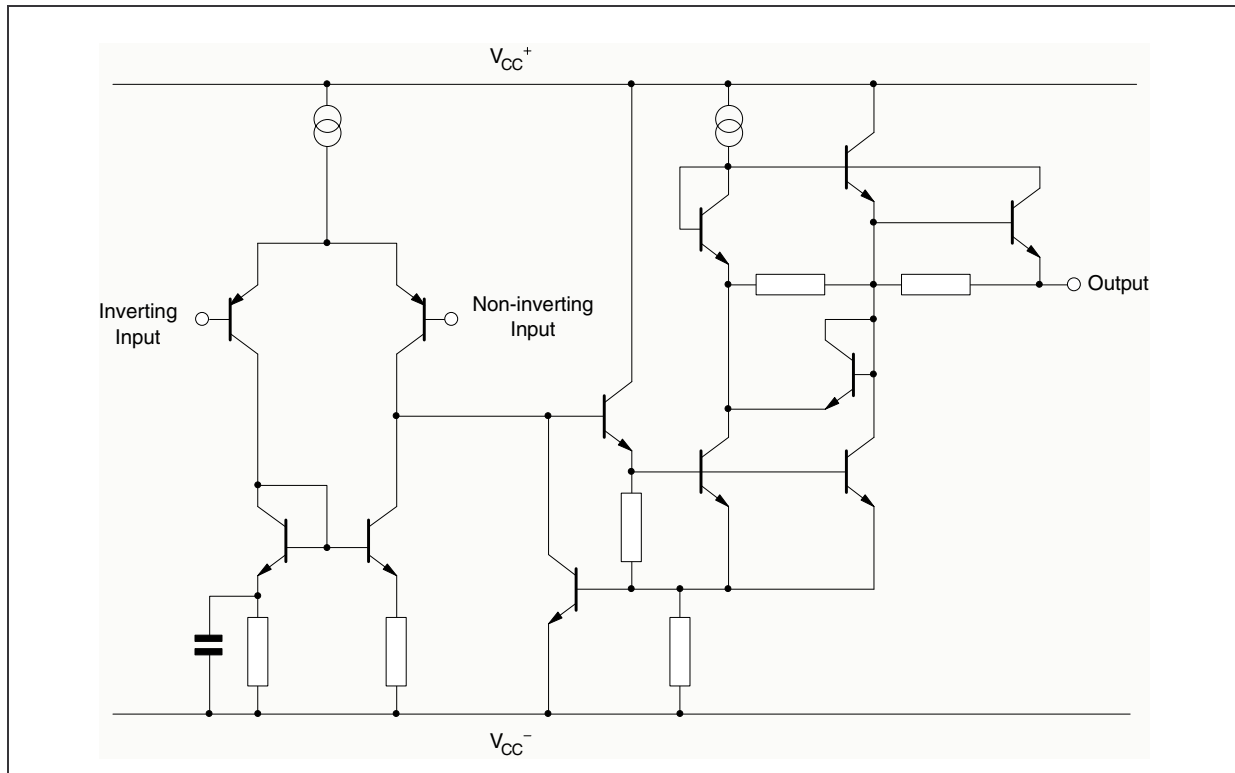
1. Either or both input voltages must not exceed the magnitude of V_{CC}^+ or V_{CC}^- .
2. Power dissipation must be considered to ensure maximum junction temperature (T_j) is not exceeded.

Table 2. Operating conditions

| Symbol | Parameter | Value | Unit |
|----------|----------------|-----------------------|------|
| V_{CC} | Supply Voltage | ± 2.5 to ± 15 | V |

2 Typical Application Schematic

Figure 1. Schematic diagram (1/2 MC33078)



3 Electrical Characteristics

Table 3. $V_{CC}^+ = +15V$, $V_{CC}^- = -15V$, $T_{amb} = 25^\circ C$ (unless otherwise specified)

| Symbol | Parameter | Min. | Typ. | Max. | Unit |
|---------------|--|------------------|---|------------------|------------------|
| V_{io} | Input Offset Voltage ($V_o = 0V$, $V_{ic} = 0V$) $T_{amb} = +25^\circ C$ $T_{min.} \leq T_{amb} \leq T_{max.}$ | | 0.15 | 2 3 | mV |
| DV_{io} | Input Offset Voltage Drift $V_o = 0V$, $V_{ic} = 0V$, $T_{min.} \leq T_{amb} \leq T_{max.}$ | | 2 | | $\mu V/^\circ C$ |
| I_{io} | Input Offset Current ($V_o = 0V$, $V_{ic} = 0V$) $T_{amb} = +25^\circ C$ $T_{min.} \leq T_{amb} \leq T_{max.}$ | | 10 | 150 175 | nA |
| I_{ib} | Input Bias Current ($V_o = 0V$, $V_{ic} = 0V$) $T_{amb} = +25^\circ C$ $T_{min.} \leq T_{amb} \leq T_{max.}$ | | 250 | 750 800 | nA |
| V_{icm} | Input Common Mode Voltage Range ($\Delta V_{io} = 5mV$, $V_o = 0V$) | ± 13 | ± 14 | | V |
| A_{vd} | Large Signal Voltage Gain ($R_L = 2k\Omega$, $V_o = \pm 10V$) $T_{amb} = +25^\circ C$ $T_{min.} \leq T_{amb} \leq T_{max.}$ | 90 85 | 100 | | dB |
| $\pm V_{opp}$ | Output Voltage Swing ($V_{id} = \pm 1V$) $R_L = 600\Omega$ $R_L = 600\Omega$ $R_L = 2.0k\Omega$ $R_L = 2.0k\Omega$ $R_L = 10k\Omega$ $R_L = 10k\Omega$ | 13.2 13.5 | 12.2 -12.7 14 -14.2 14.3 -14.6 | -13.2 -14 | V |
| CMR | Common-mode Rejection Ratio ($V_{ic} = \pm 13V$) | 80 | 100 | | dB |
| SVR | Supply Voltage Rejection Ratio $V_{CC}^+ / V_{CC}^- = +15V / -15V$ to $+5V / -5V$ | 80 | 105 | | dB |
| I_o | Output Short Circuit Current ($V_{id} = \pm 1V$, Output to Ground) Source Sink | 15 20 | 29 27 | | mA |
| I_{CC} | Supply Current ($V_o = 0V$, All amplifiers) $T_{amb} = +25^\circ C$ $T_{min.} \leq T_{amb} \leq T_{max.}$ | | 4 | 5 5.5 | mA |
| SR | Slew Rate $V_i = -10V$ to $+10V$, $R_L = 2k\Omega$, $C_L = 100pF$, $A_V = +1$ | 5 | 7 | | $V/\mu s$ |
| GBP | Gain Bandwidth Product $R_L = 2k\Omega$, $C_L = 100pF$, $f = 100kHz$ | 10 | 15 | | MHz |
| B | Unity Gain Bandwidth (Open loop) | | 9 | | MHz |
| A_m | Gain Margin ($R_L = 2k\Omega$), $C_L = 0pF$ $C_L = 100pF$ | | -11 -6 | | dB |
| ϕ_m | Phase Margin ($R_L = 2k\Omega$), $C_L = 0pF$ $C_L = 100pF$ | | 55 30 | | Degrees |

Table 3. $V_{CC}^+ = +15V$, $V_{CC}^- = -15V$, $T_{amb} = 25^\circ C$ (unless otherwise specified)

| Symbol | Parameter | Min. | Typ. | Max. | Unit |
|-----------------|---|------|-------|------|-----------------|
| e_n | Equivalent Input Noise Voltage $R_S = 100\Omega$, $f = 1kHz$ | | 4.5 | | nV/ \sqrt{Hz} |
| i_n | Equivalent Input Noise Current ($f = 1kHz$) | | 0.5 | | pA/ \sqrt{Hz} |
| THD | Total Harmonic Distortion $R_L = 2k\Omega$, $f = 20Hz$ to $20kHz$, $V_o = 3V_{rms}$, $A_V = +1$ | | 0.002 | | % |
| V_{O1}/V_{O2} | Channel Separation $f = 20Hz$ to $20kHz$ | | 120 | | dB |
| FPB | Full Power Bandwidth $V_o = 27V_{pp}$, $R_L = 2k\Omega$, $THD \leq 1\%$ | | 120 | | kHz |
| Z_o | Output Impedance $V_o = 0V$, $f = 9MHz$ | | 37 | | Ω |
| R_i | Input Resistance $V_{ic} = 0V$ | | 175 | | k Ω |
| C_i | Input Capacitance $V_{ic} = 0V$ | | 12 | | pF |

Figure 2. Total supply current vs. supply voltage

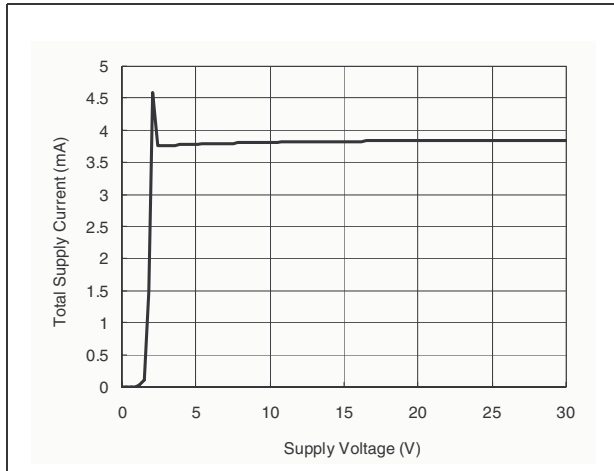


Figure 3. Output voltage vs. supply voltage

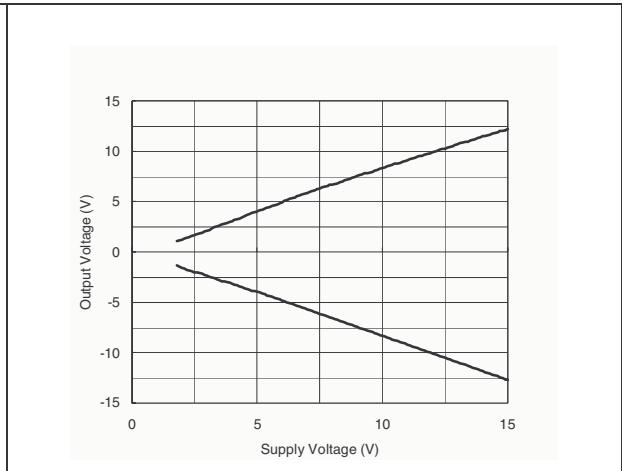


Figure 4. Equivalent input noise voltage vs. frequency

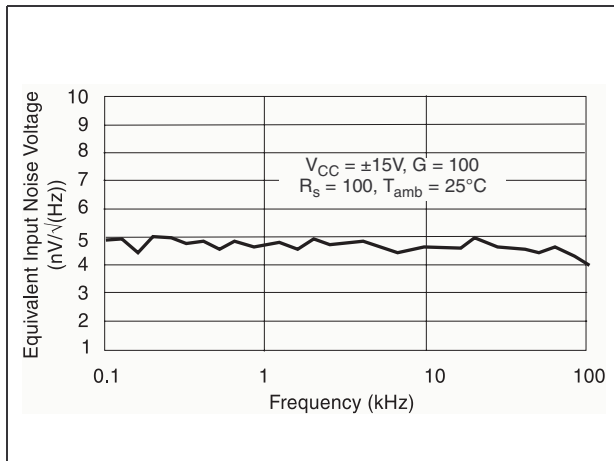


Figure 5. Output short circuit current vs. output voltage

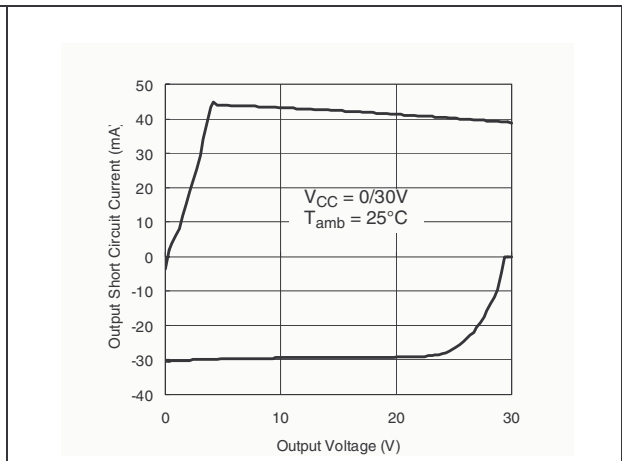


Figure 6. Output voltage vs. supply voltage

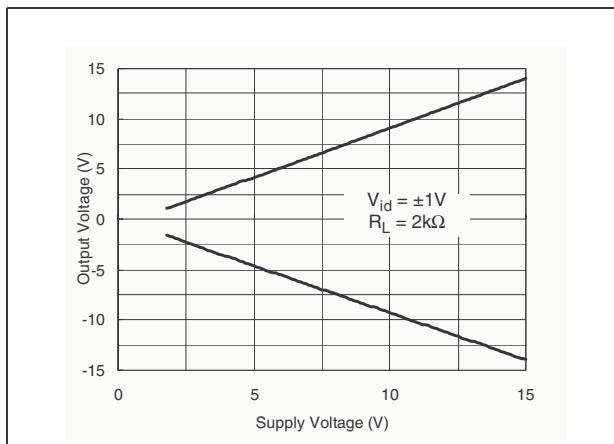


Figure 7. THD + Noise vs. frequency

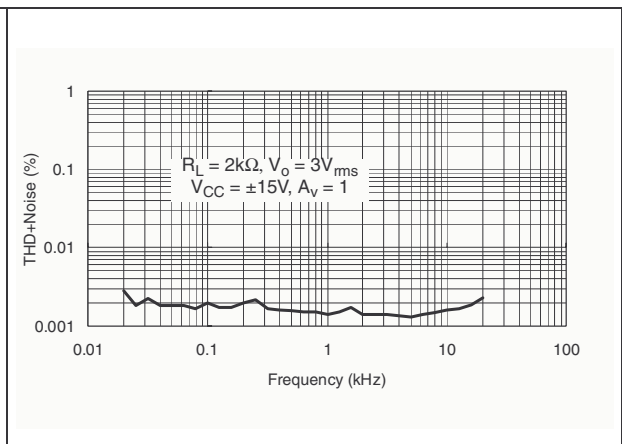


Figure 8. Voltage gain and phase vs. frequency

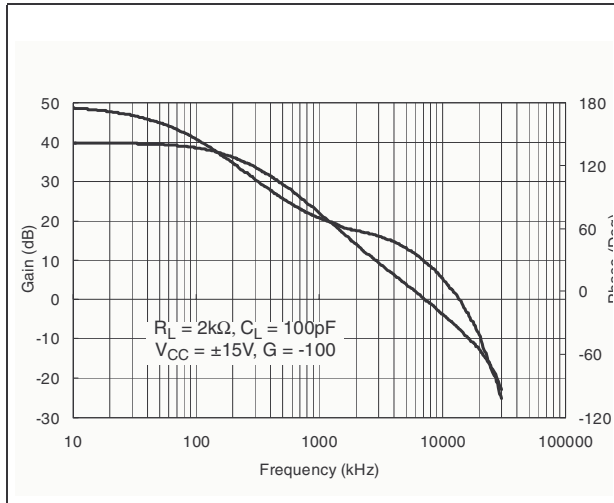
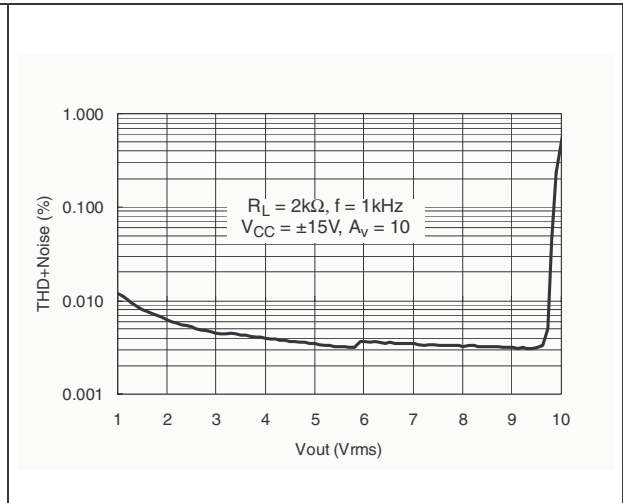


Figure 9. THD+noise vs. V_{out}



4 Macromodels

4.1 Important note concerning this macromodel

Please consider following remarks before using this macromodel.

- All models are a trade-off between accuracy and complexity (i.e. simulation time).
- Macromodels are not a substitute to breadboarding; rather, they confirm the validity of a design approach and help to select surrounding component values.
- A macromodel emulates the NOMINAL performance of a TYPICAL device within SPECIFIED OPERATING CONDITIONS (i.e. temperature, supply voltage, etc.). Thus the macromodel is often not as exhaustive as the datasheet, its goal is to illustrate the main parameters of the product.
- Data issued from macromodels used outside of its specified conditions (V_{CC} , Temperature, etc.) or even worse: outside of the device operating conditions (V_{CC} , V_{icm} , etc.) are not reliable in any way.

In *Section 4.2*, the electrical characteristics resulting from the use of this macromodel are presented.

4.2 Electrical characteristics from macromodelization

Table 4. Electrical characteristics resulting from macromodel simulation at $V_{CC}^+ = +15V$, $V_{CC}^- = -15V$, $T_{amb} = 25^\circ C$ (unless otherwise specified)

| Symbol | Conditions | Value | Unit |
|--------------|--|-------|------------|
| V_{io} | | 0 | mV |
| A_{VD} | $R_L = 2k\Omega$, $V_O = \pm 10V$ | 100 | dB |
| I_{CC} | No load, per operator | 2 | mA |
| V_{icm} | $\Delta V_{io} = 5mV$, $V_O = 0V$ | 28 | V |
| V_{opp} | $R_L = 2k\Omega$ | 28.2 | V |
| I_{sink} | $V_O = 0V$ | 37 | mA |
| I_{source} | $V_O = 0V$ | 29 | mA |
| GBP | $R_L = 2k\Omega$, $C_L = 100pF$ | 15 | MHz |
| SR | $R_L = 10k\Omega$, $C_L = 100pF$, $A_V = +1$ | 7 | V/ μs |
| ϕ_m | $R_L = 2k\Omega$, $C_L = 0pF$ | 55 | Degrees |

4.3 Macromodel code

```

** Standard Linear Ics Macromodels, 1993.
** CONNECTIONS :
* 1 INVERTING INPUT
* 2 NON-INVERTING INPUT
* 3 OUTPUT
* 4 POSITIVE POWER SUPPLY
* 5 NEGATIVE POWER SUPPLY
.SUBCKT MC33078 1 3 2 4 5 (analog)
*****
.MODEL MDTH D IS=1E-8 KF=2.286238E-16 CJO=10F
* INPUT STAGE
CIP 2 5 1.200000E-11
CIN 1 5 1.200000E-11
EIP 10 5 2 5 1
EIN 16 5 1 5 1
RIP 10 11 2.363636E+00
RIN 15 16 2.363636E+00
RIS 11 15 1.224040E+01
DIP 11 12 MDTH 400E-12
DIN 15 14 MDTH 400E-12
VOFP 12 13 DC 0
VOFN 13 14 DC 0
IPOL 13 5 1.100000E-04
CPS 11 15 2.35E-09
DINN 17 13 MDTH 400E-12
VIN 17 5 1.000000E+00
DINR 15 18 MDTH 400E-12
VIP 4 18 1.000000E+00
FCP 4 5 VOFN 1.718182E+01
FCN 5 4 VOFN 1.718182E+01
FIBP 2 5 VOFN 4.545455E-03
FIBN 5 1 VOFN 4.545455E-03
* AMPLIFYING STAGE
FIP 5 19 VOFN 9.545455E+02
FIN 5 19 VOFN 9.545455E+02
CC 19 29 1.500000E-08
HZTP 30 29 VOFN 1.523529E+02
HZTN 5 30 VOFN 1.523529E+02
DOPM 51 22 MDTH 400E-12
DONM 21 52 MDTH 400E-12
HOPM 22 28 VOUT 5.172414E+03
VIPM 28 4 1.500000E+02
HONM 21 27 VOUT 4.054054E+03
VINM 5 27 1.500000E+02
DBIDON1 19 53 MDTH 400E-12
V1 51 53 0.68
DBIDON2 54 19 MDTH 400E-12
V2 54 52 0.68
RG11 51 5 3.04E+05
RG12 51 4 3.04E+05

```

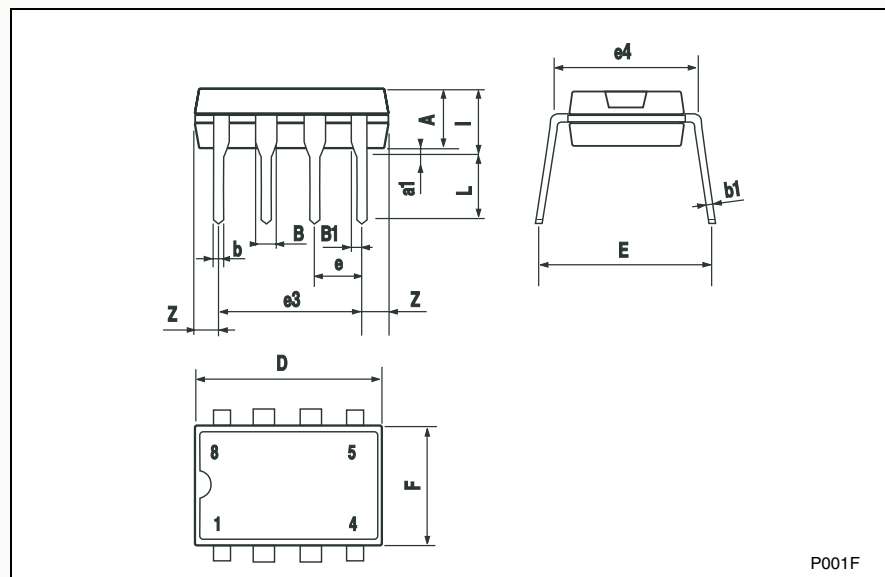
```
RG21 52 5 0.6072E+05
RG22 52 4 0.6072E+05
E1 50 40 51 0 1 E2 40 39 52 0 1
EDEC1 38 39 4 0 0.5
EDEC2 0 38 5 0 0.5
DOP 51 25 MDTH 400E-12
VOP 4 25 1.474575E+00
DON 24 52 MDTH 400E-12
VON 24 5 1.474575E+00
RAJUS 50 5 1E12
GCOMP 5 4 4 5 8.1566068E-04
RPM1 5 80 1E+06
RPM2 4 80 1E+06
GAVPH 5 82 50 80 3.26E-03
RAVPHGH 82 4 613
RAVPHGB 82 5 613
RAVPHDH 82 83 1000
RAVPHDB 82 84 1000
CAVPHH 4 83 0.159E-09
CAVPHB 5 84 0.159E-09
EOUT 26 23 82 5 1
VOUT 23 5 0
ROUT 26 3 4.780354E+01
COUT 3 5 1.000000E-12
.ENDS
```

5 Package Mechanical Data

In order to meet environmental requirements, ST offers these devices in ECOPACK® packages. These packages have a Lead-free second level interconnect. The category of second level interconnect is marked on the package and on the inner box label, in compliance with JEDEC Standard JESD97. The maximum ratings related to soldering conditions are also marked on the inner box label. ECOPACK is an ST trademark. ECOPACK specifications are available at: www.st.com.

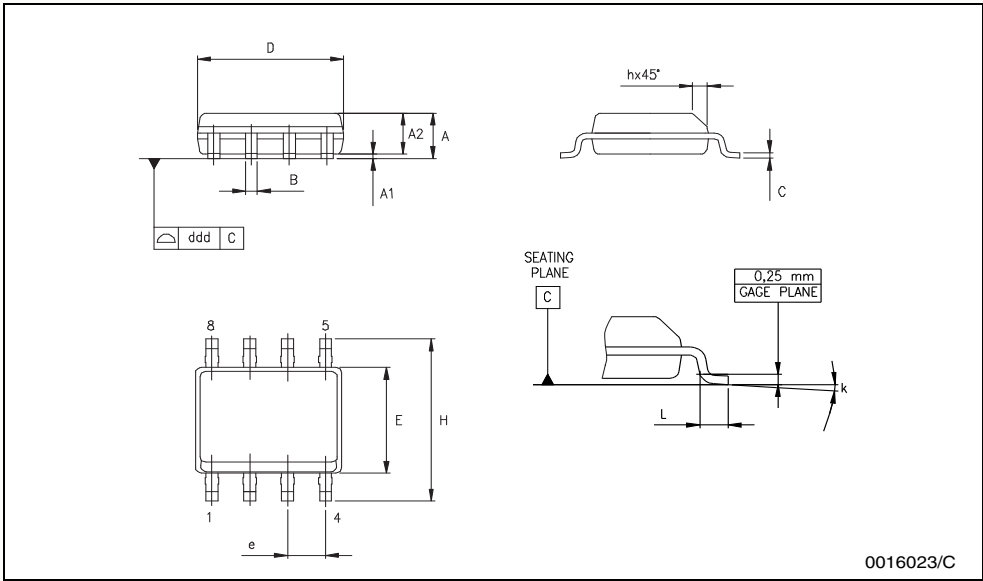
5.1 DIP8 Package

| Plastic DIP-8 MECHANICAL DATA | | | | | | |
|-------------------------------|------|------|------|-------|-------|-------|
| DIM. | mm. | | | inch | | |
| | MIN. | TYP. | MAX. | MIN. | TYP. | MAX. |
| A | | 3.3 | | | 0.130 | |
| a1 | 0.7 | | | 0.028 | | |
| B | 1.39 | | 1.65 | 0.055 | | 0.065 |
| B1 | 0.91 | | 1.04 | 0.036 | | 0.041 |
| b | | 0.5 | | | 0.020 | |
| b1 | 0.38 | | 0.5 | 0.015 | | 0.020 |
| D | | | 9.8 | | | 0.386 |
| E | | 8.8 | | | 0.346 | |
| e | | 2.54 | | | 0.100 | |
| e3 | | 7.62 | | | 0.300 | |
| e4 | | 7.62 | | | 0.300 | |
| F | | | 7.1 | | | 0.280 |
| I | | | 4.8 | | | 0.189 |
| L | | 3.3 | | | 0.130 | |
| Z | 0.44 | | 1.6 | 0.017 | | 0.063 |



5.2 SO-8 Package

| SO-8 MECHANICAL DATA | | | | | | |
|----------------------|-----------|------|------|-------|-------|-------|
| DIM. | mm. | | | inch | | |
| | MIN. | TYP | MAX. | MIN. | TYP. | MAX. |
| A | 1.35 | | 1.75 | 0.053 | | 0.069 |
| A1 | 0.10 | | 0.25 | 0.04 | | 0.010 |
| A2 | 1.10 | | 1.65 | 0.043 | | 0.065 |
| B | 0.33 | | 0.51 | 0.013 | | 0.020 |
| C | 0.19 | | 0.25 | 0.007 | | 0.010 |
| D | 4.80 | | 5.00 | 0.189 | | 0.197 |
| E | 3.80 | | 4.00 | 0.150 | | 0.157 |
| e | | 1.27 | | | 0.050 | |
| H | 5.80 | | 6.20 | 0.228 | | 0.244 |
| h | 0.25 | | 0.50 | 0.010 | | 0.020 |
| L | 0.40 | | 1.27 | 0.016 | | 0.050 |
| k | 8° (max.) | | | | | |
| ddd | | | 0.1 | | | 0.04 |



6 Revision History

Table 5. Document revision history

| Date | Revision | Changes |
|------------|----------|---|
| Nov. 2001 | 1 | Initial release. |
| June 2005 | 2 | PPAP references inserted in the datasheet see <i>Order Codes on page 1</i> . |
| Sept. 2005 | 3 | The following changes were made in this revision: <ul style="list-style-type: none">– <i>Order Codes on page 1</i> updated with complete list of markings and packages were corrected.– Reorganization of <i>Chapter 4.3: Macromodel code on page 9</i>. |
| Feb. 2006 | 4 | Error in the first page title. |

Please Read Carefully:

Information in this document is provided solely in connection with ST products. STMicroelectronics NV and its subsidiaries ("ST") reserve the right to make changes, corrections, modifications or improvements, to this document, and the products and services described herein at any time, without notice.

All ST products are sold pursuant to ST's terms and conditions of sale.

Purchasers are solely responsible for the choice, selection and use of the ST products and services described herein, and ST assumes no liability whatsoever relating to the choice, selection or use of the ST products and services described herein.

No license, express or implied, by estoppel or otherwise, to any intellectual property rights is granted under this document. If any part of this document refers to any third party products or services it shall not be deemed a license grant by ST for the use of such third party products or services, or any intellectual property contained therein or considered as a warranty covering the use in any manner whatsoever of such third party products or services or any intellectual property contained therein.

UNLESS OTHERWISE SET FORTH IN ST'S TERMS AND CONDITIONS OF SALE ST DISCLAIMS ANY EXPRESS OR IMPLIED WARRANTY WITH RESPECT TO THE USE AND/OR SALE OF ST PRODUCTS INCLUDING WITHOUT LIMITATION IMPLIED WARRANTIES OF MERCHANTABILITY, FITNESS FOR A PARTICULAR PURPOSE (AND THEIR EQUIVALENTS UNDER THE LAWS OF ANY JURISDICTION), OR INFRINGEMENT OF ANY PATENT, COPYRIGHT OR OTHER INTELLECTUAL PROPERTY RIGHT.

UNLESS EXPRESSLY APPROVED IN WRITING BY AN AUTHORIZED REPRESENTATIVE OF ST, ST PRODUCTS ARE NOT DESIGNED, AUTHORIZED OR WARRANTED FOR USE IN MILITARY, AIR CRAFT, SPACE, LIFE SAVING, OR LIFE SUSTAINING APPLICATIONS, NOR IN PRODUCTS OR SYSTEMS, WHERE FAILURE OR MALFUNCTION MAY RESULT IN PERSONAL INJURY, DEATH, OR SEVERE PROPERTY OR ENVIRONMENTAL DAMAGE.

Resale of ST products with provisions different from the statements and/or technical features set forth in this document shall immediately void any warranty granted by ST for the ST product or service described herein and shall not create or extend in any manner whatsoever, any liability of ST.

ST and the ST logo are trademarks or registered trademarks of ST in various countries.

Information in this document supersedes and replaces all information previously supplied.

The ST logo is a registered trademark of STMicroelectronics. All other names are the property of their respective owners.

© 2006 STMicroelectronics - All rights reserved

STMicroelectronics group of companies

Australia - Belgium - Brazil - Canada - China - Czech Republic - Finland - France - Germany - Hong Kong - India - Israel - Italy - Japan - Malaysia - Malta - Morocco - Singapore - Spain - Sweden - Switzerland - United Kingdom - United States of America

www.st.com