

Telecom Disconnect Switch LTFD 1200 Series — 900 to 1200 Amp



Littelfuse's new 1200 ampere LTFD 1200-01 fuseholders are designed for high power applications where space and costs are major concerns. This compact fuseholder is designed specifically for 900 to 1200A applications and can replace two conventional 600A holders. An optional integrated alarm fuse circuit provides visual and remote notification of a blown fuse. The innovative pull-out design provides a positive connection and eliminates the need for tools to replace blown fuses.

Features

- Compact
- Vented for cool running operation
- Quick fuse replacement
- Optional integrated alarm signaling circuit

Recommended Fuses

- Littelfuse L17T Series fuses
- Littelfuse 481 Series Alarm fuses

Specifications

Voltage Rating:

60 VDC

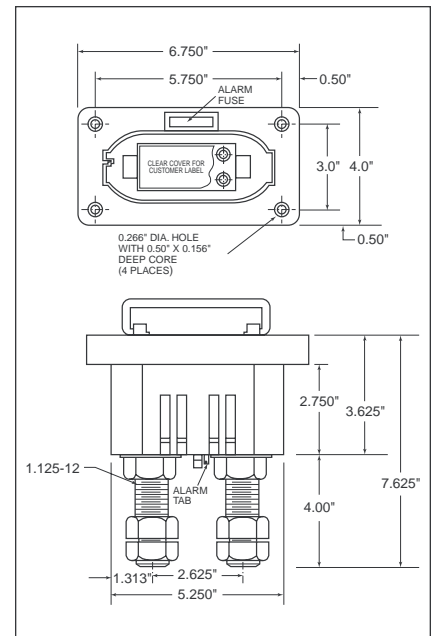
Ampere Range:

900 to 1200 amperes

Approvals:

UL Recognized (File No. E122674)

Dimensions



Ordering Information

Catalog Number

LTFD 1200-01