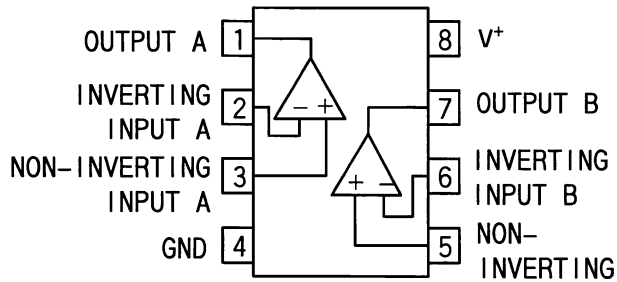


STRUCTURE SILICON MONOLITHIC INTEGRATED CIRCUIT  
 FUNCTION NOW SERIES GROUND SENSE DUAL COMPARATORS

PRODUCT SERIES **LM393MX**

- FEATURES
- Operating temperature range 0[°C] to +70[°C] (commercial grade)
  - Open collector output
  - Wide operation voltage range  
 Single supply +2[V] to +36[V]  
 Dual supply ±1[V] to ±18[V]
  - Low input bias current 25[nA] Typ
  - Low input offset current ±5[nA] Typ
  - Low input offset voltage ±1[mV] Typ
  - Common-mode input voltage range include ground
  - Differential input voltage range equal to maximum rated supply voltage
  - Low output saturation voltage 250[mV] at 4[mA]
  - Output voltage compatible with TTL,DTL,ECL,MOS,CMOS

○BLOCK DIAGRAM

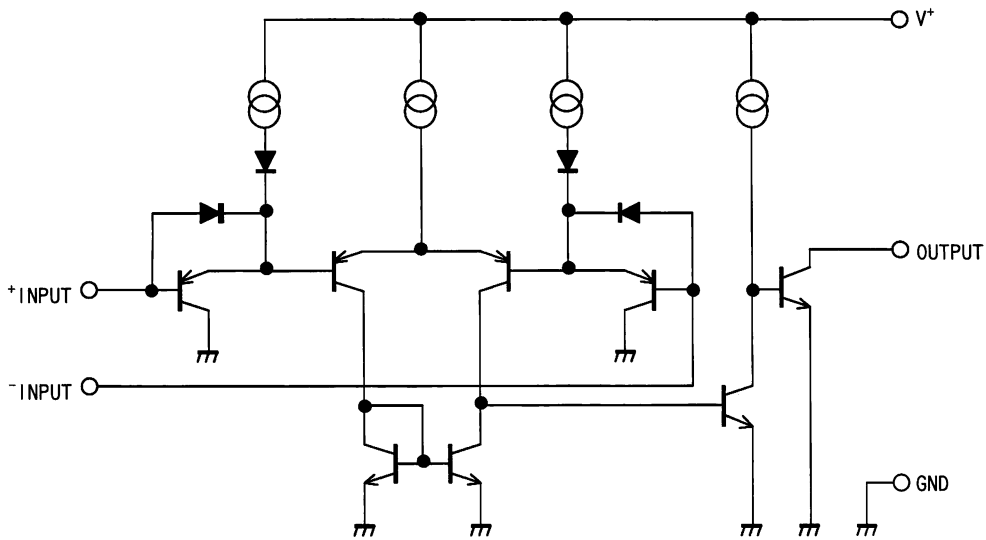


○PIN No. PIN NAME

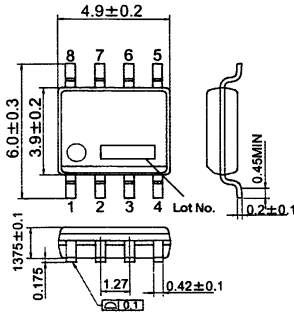
PIN No.	PIN NAME
1	OUTPUT A
2	INVERTING INPUT A
3	NON-INVERTING INPUT A
4	GND
5	NON-INVERTING INPUT B
6	INVERTING INPUT B
7	OUTPUT B
8	V <sup>+</sup>

LM393 family (NOW SERIES)

○SCHEMATIC DIAGRAM(Each Comparator)



○PHYSICAL DIMENSIONS



This drawing is subject to change without notice.

LM393MX (S.O package8) (Unit:[mm])

○MAXIMUM RATINGS(Ta=25[°C])

Parameter	Symbol	Rating	Unit
Supply Voltage	V <sup>+</sup> – GND	+36	V
Power Dissipation	P <sub>d</sub>	450(*1)(*2)	mW
Differential Input Voltage (*3)	V <sub>ID</sub>	+36	V
Common-mode Input Voltage range	V <sub>CM</sub>	-0.3 to +36	V
Operating Temperature Range	T <sub>opr</sub>	0 to +70	°C
Storage Temperature Range	T <sub>stg</sub>	-65 to +150	°C

(\*1) To use at temperature above Ta=25[°C] reduce 3.60[mW]/[°C].

(\*2) Mounted on a glass epoxy PCB(70[mm]×70[mm]×1.6[mm]).

(\*3) The voltage difference between inverting input and non-inverting input is the differential input voltage. Then input terminal voltage is set to more than GND terminal.

○OPERATING CONDITION (Ta=0[°C] to +70[°C])

Parameter	Symbol	Rating	Unit
Supply Voltage	V <sup>+</sup>	+2.0 to +36.0 (Single Supply)	V
		±1.0 to ±18.0 (Dual Supply)	

○ELECTRIC CHARACTERISTICS (Unless otherwise specified  $V^+ = +5[V]$ )

Parameter	Symbol	Temperature Range	Guaranteed Limit			Unit	Condition
			Min	Typ	Max		
Input Offset Voltage (*4)	VIO	25°C	-	1	7	mV	$V^+ = 5$ to $30[V]$ , $V_O = 1.4[V]$ , $R_S = 0[\Omega]$ $V_{CM} = 0[V]$ to $V^+ - 1.5[V]$
		full range	-	-	9		
Input Bias Current (*4)	IIB	25°C	-	25	250	nA	IIN(+) or IIN(-) $V_{CM} = 0[V]$
		full range	-	-	400		
Input Offset Current (*4)	IIO	25°C	-	5	50	nA	IIN(+)-IIN(-), $V_{CM} = 0[V]$
		full range	-	-	150		
Common-mode Input Voltage Range	VCM	25°C	0	-	$V^+ - 1.5$	V	$V^+ = 30[V]$
		full range	0	-	$V^+ - 2.0$		
Supply Current	ICC	25°C	-	0.4	1	mA	$R_L = \infty, V^+ = 5[V]$
			-	1	2.5		$R_L = \infty, V^+ = 36[V]$
Large Signal Voltage Gain	AVD	25°C	25	200	-	V/mV	$V^+ = 15[V]$ , $V_O = 1[V]$ to $11[V]$ $R_L \geq 15[k\Omega]$
Large Signal Response Time	tREL	25°C	-	300	-	ns	$V_{IN} = \text{TTL logic swing}$ , $V_{ref} = 1.4[V]$ $V_{RL} = 5[V]$ , $R_L = 5.1[k\Omega]$
Response Time	tRE	25°C	-	1.3	-	$\mu s$	$V_{RL} = 5[V]$ , $R_L = 5.1[k\Omega]$ $V_{IN} = 100[mVp-p]$ , Overdrive=5[mV]
Output Sink Current	ISINK	25°C	6	16	-	mA	$V_{IN(-)} = 1[V]$ , $V_{IN(+)} = 0[V]$ $V_O \leq 1.5[V]$
Saturation voltage	VOL	25°C	-	250	400	mV	$V_{IN(-)} = 1[V]$ , $V_{IN(+)} = 0[V]$ $I_{SINK} \leq 4[mA]$
		full range	-	-	700		
Output Leakage Current	Ileak	25°C	-	0.1	-	nA	$V_{IN(-)} = 0[V]$ , $V_{IN(+)} = 1[V]$ $V_O = 5[V]$
		full range	-	-	1		
Differential Input Voltage	VID	full range	-	-	36	V	Keep All $V_{in}'s \geq 0[V]$

(\*4) Absolute value

○APPLICATION EXAMPLE

(1) Absolute maximum ratings

Absolute maximum ratings are the values, which indicate the limits, within which the given voltage range can be safely charged to the terminal. However, it does not guarantee the circuit operation.

(2) The example of disabled circuit application

When there is a circuit not in use, it is recommended to make the non-inverting input terminal be the potential in the common-mode input voltage range like in Fig.1.

(3) Applied voltage to the input terminal

Regardless of power supply voltage,  $GND + 36 [V]$  can be applied to input terminals without deterioration or destruction of its characteristics. However, this does not guarantee a circuit operation. Note that circuits do not operate normally with input voltage not within input common mode voltage in terms of the electrical characteristics.

(4) Operating power supply (single power supply/dual power supply)

The Comparator operates if a given level of voltage is applied between  $V^+$  and GND. Therefore, the Comparator can be operated under single power supply or dual power supply.

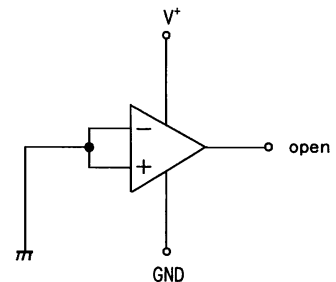


Fig.1 The example of disable circuit

- (5) Power dissipation (Pd)  
If the IC is used under excessive power dissipation. An increase in the chip temperature will cause deterioration of the radical characteristics of IC.  
For example, reduction of current capability. Take consideration of the effective power dissipation and thermal design with a sufficient margin. Pd is reference to the provided power dissipation curve.
- (6) Short circuits between pins and incorrect mounting  
Short circuits between pins and incorrect mounting when mounting the IC on a printed circuits board, take notice of the direction and positioning of the IC.  
If IC is mounted erroneously, It may be damaged. Also, when a foreign object is inserted between output, between output and V<sup>+</sup> terminal or GND terminal which causes short circuit, the IC may be damaged.
- (7) Output short circuit  
If short circuit occurs between the output terminal and GND terminal, excessive in output current may flow and generate heat, causing destruction of the IC. Take due care.
- (8) Using under strong electromagnetic field  
Be careful when using the IC under strong electromagnetic field because it may malfunction.
- (9) Usage of IC  
When stress is applied to the IC through warp of the printed circuit board,  
The characteristics may fluctuate due to the piezo effect.  
Be careful of the warp of the printed circuit board.
- (10) Testing IC on the set board  
When testing IC on the set board, in cases where the capacitor is connected to the low impedance, make sure to discharge per fabrication because there is a possibility that IC may be damaged by stress.  
When removing IC from the set board, it is essential to cut supply voltage.  
As a countermeasure against the static electricity, observe proper grounding during fabrication process and take due care when carrying and storage it.
- (11) Output terminal capacitor  
Transistor in circuits may be damaged when V<sup>+</sup> terminal and GND terminal is shorted with the charged output terminal capacitor.  
When IC is used as a comparator or as an application circuit, where oscillation is not activated by an output capacitor, the output capacitor must be kept below 10[ $\mu$ F] in order to prevent the damage mentioned above.

### Notes

- No technical content pages of this document may be reproduced in any form or transmitted by any means without prior permission of ROHM CO.,LTD.
- The contents described herein are subject to change without notice. The specifications for the product described in this document are for reference only. Upon actual use, therefore, please request that specifications to be separately delivered.
- Application circuit diagrams and circuit constants contained herein are shown as examples of standard use and operation. Please pay careful attention to the peripheral conditions when designing circuits and deciding upon circuit constants in the set.
- Any data, including, but not limited to application circuit diagrams information, described herein are intended only as illustrations of such devices and not as the specifications for such devices. ROHM CO.,LTD. disclaims any warranty that any use of such devices shall be free from infringement of any third party's intellectual property rights or other proprietary rights, and further, assumes no liability of whatsoever nature in the event of any such infringement, or arising from or connected with or related to the use of such devices.
- Upon the sale of any such devices, other than for buyer's right to use such devices itself, resell or otherwise dispose of the same, no express or implied right or license to practice or commercially exploit any intellectual property rights or other proprietary rights owned or controlled by
- ROHM CO., LTD. is granted to any such buyer.
- Products listed in this document are no antiradiation design.

The products listed in this document are designed to be used with ordinary electronic equipment or devices (such as audio visual equipment, office-automation equipment, communications devices, electrical appliances and electronic toys).

Should you intend to use these products with equipment or devices which require an extremely high level of reliability and the malfunction of which would directly endanger human life (such as medical instruments, transportation equipment, aerospace machinery, nuclear-reactor controllers, fuel controllers and other safety devices), please be sure to consult with our sales representative in advance.

#### About Export Control Order in Japan

Products described herein are the objects of controlled goods in Annex 1 (Item 16) of Export Trade Control Order in Japan.

In case of export from Japan, please confirm if it applies to "objective" criteria or an "informed" (by MITI clause) on the basis of "catch all controls for Non-Proliferation of Weapons of Mass Destruction.

Thank you for your accessing to ROHM product informations.  
More detail product informations and catalogs are available,  
please contact your nearest sales office.

Please contact our sales offices for details ;

U.S.A / San Diego	TEL : +1(858)625-3630	FAX : +1(858)625-3670
Atlanta	TEL : +1(770)754-5972	FAX : +1(770)754-0691
Dallas	TEL : +1(972)312-8818	FAX : +1(972)312-0330
Germany / Dusseldorf	TEL : +49(2154)9210	FAX : +49(2154)921400
United Kingdom / London	TEL : +44(1)908-282-666	FAX : +44(1)908-282-528
France / Paris	TEL : +33(0)1 56 97 30 60	FAX : +33(0) 1 56 97 30 80
China / Hong Kong	TEL : +852(2)740-6262	FAX : +852(2)375-8971
Shanghai	TEL : +86(21)6279-2727	FAX : +86(21)6247-2066
Dilian	TEL : +86(411)8230-8549	FAX : +86(411)8230-8537
Beijing	TEL : +86(10)8525-2483	FAX : +86(10)8525-2489
Taiwan / Taipei	TEL : +866(2)2500-6956	FAX : +866(2)2503-2869
Korea / Seoul	TEL : +82(2)8182-700	FAX : +82(2)8182-715
Singapore	TEL : +65-6332-2322	FAX : +65-6332-5662
Malaysia / Kuala Lumpur	TEL : +60(3)7958-8355	FAX : +60(3)7958-8377
Philippines / Manila	TEL : +63(2)807-6872	FAX : +63(2)809-1422
Thailand / Bangkok	TEL : +66(2)254-4890	FAX : +66(2)256-6334

Japan /  
(Internal Sales)

Tokyo	2-1-1, Yaesu, Chuo-ku, Tokyo 104-0082	TEL : +81(3)5203-0321	FAX : +81(3)5203-0300
Yokohama	2-4-8, Shin Yokohama, Kohoku-ku, Yokohama, Kanagawa 222-8575	TEL : +81(45)476-2131	FAX : +81(45)476-2128
Nagoya	Dainagayo Building 9F 3-28-12, Meieki, Nakamura-ku, Nagoya, Aichi 450-0002	TEL : +81(52)581-8521	FAX : +81(52)561-2173
Kyoto	579-32 Higashi Shiokouji-cho, Karasuma Nishi-iru, Shiokoujidori, Shimogyo-ku, Kyoto 600-8216	TEL : +81(75)311-2121	FAX : +81(75)314-6559

(Contact address for overseas customers in Japan)

Yokohama	TEL : +81(45)476-9270	FAX : +81(045)476-9271
----------	-----------------------	------------------------