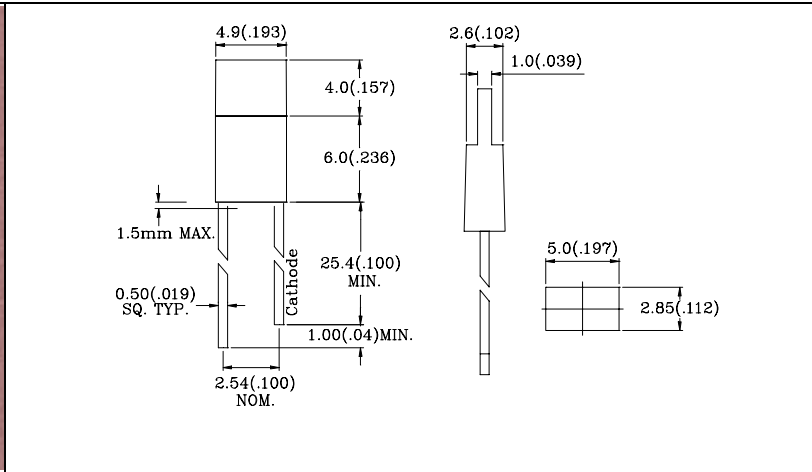
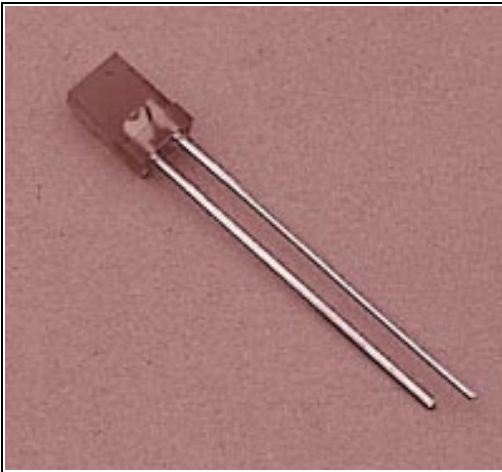


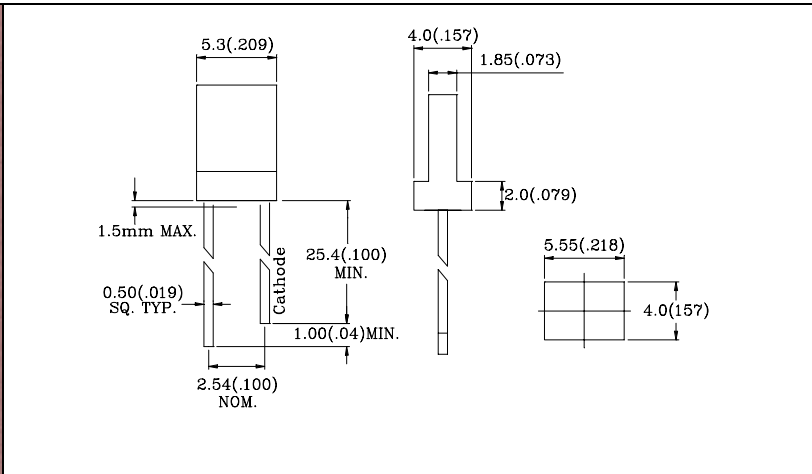
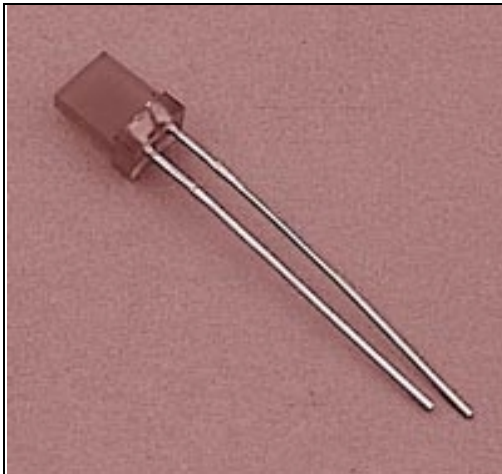


**L-483XX 1.0x5.0x10.0mm RECTANGULAR LED LAMP**



| Part No. | Chip         |               | Lens Color      | Wave Length<br>$\lambda$ p(nm) | Electro-Optical Characteristics |      |             | View Angle<br>(deg) |
|----------|--------------|---------------|-----------------|--------------------------------|---------------------------------|------|-------------|---------------------|
|          | Raw Material | Emitted Color |                 |                                | Vf(V)20mA                       |      | Iv(mcd)10mA |                     |
|          |              |               |                 |                                | Typ.                            | Max. | Typ.        |                     |
| L-483HD  | GaP          | Red           | Red Diffused    | 700                            | 2.1                             | 2.8  | 3.0         | 130                 |
| L-483GD  | GaP          | Green         | Green Diffused  | 565                            | 2.1                             | 2.8  | 6.0         | 130                 |
| L-483YD  | GaAsP/GaP    | Yellow        | Yellow Diffused | 585                            | 2.1                             | 2.8  | 6.0         | 130                 |
| L-483ED  | GaAsP/GaP    | Hi.effi Red   | Red Diffused    | 635                            | 2.0                             | 2.8  | 8.0         | 130                 |
| L-483SRD | GaAlAs       | Super Red     | Red Diffused    | 660                            | 1.8                             | 2.4  | 50.0        | 130                 |

**L-493XX 1.8x5.3x8.0mm RECTANGULAR LED LAMP**



| Part No. | Chip         |               | Lens Color      | Wave Length<br>$\lambda$ p(nm) | Electro-Optical Characteristics |      |             | View Angle<br>(deg) |
|----------|--------------|---------------|-----------------|--------------------------------|---------------------------------|------|-------------|---------------------|
|          | Raw Material | Emitted Color |                 |                                | Vf(V)20mA                       |      | Iv(mcd)10mA |                     |
|          |              |               |                 |                                | Typ.                            | Max. | Typ.        |                     |
| L-493HD  | GaP          | Red           | Red Diffused    | 700                            | 2.1                             | 2.8  | 4.0         | 130                 |
| L-493GD  | GaP          | Green         | Green Diffused  | 565                            | 2.1                             | 2.8  | 8.0         | 130                 |
| L-493YD  | GaAsP/GaP    | Yellow        | Yellow Diffused | 585                            | 2.1                             | 2.8  | 8.0         | 130                 |
| L-493ED  | GaAsP/GaP    | Hi.effi Red   | Red Diffused    | 635                            | 2.0                             | 2.8  | 10.0        | 130                 |
| L-493SRD | GaAlAs       | Super Red     | Red Diffused    | 660                            | 1.8                             | 2.4  | 80.0        | 130                 |

- 1.All dimension are in millimeters (inches).
- 2.Tolerance is  $\pm 0.25$  mm (0.01") unless otherwise specified.