

## Low Cost SMT High Pass Filter 800-3000 MHz



### Features

- Small Size and Low Profile
- Industry Standard SOIC-8 SMT Plastic Package
- Superior Repeatability
- Typical Insertion Loss 0.5 dB
- Typical Rejection 20dB
- 2 Watt Power Handling

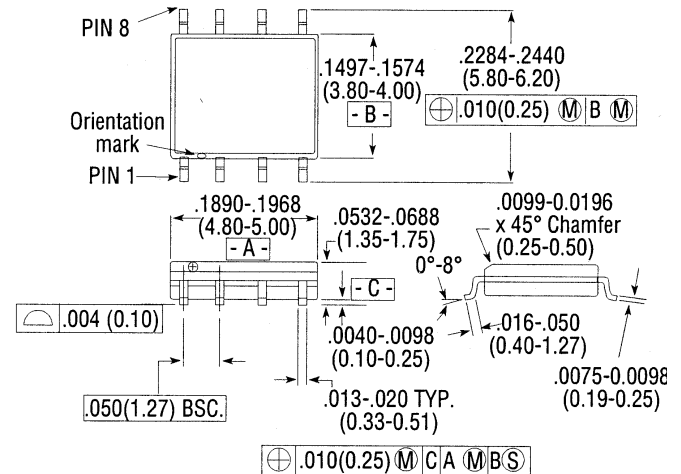
### Description

M/A-COM's FL05-0001-G is an IC-based monolithic high pass filter in a low cost SOIC-8 plastic package. This filter is ideally suited for applications where small size, low cost and low loss are required.

Typical applications include base station switching networks and portable phones where size and PCB real estate are at a premium. Available in tape and reel.

The FL05-0002-G is fabricated using a passive-integrated circuit process. The process features full-chip passivation for increased performance and reliability.

### SO-8



8- Lead SOP outline dimensions  
Narrow body .150

(All dimensions per JEDEC No. MS-012-AA, Issue C)  
Dimensions in ( ) are in mm.  
Unless Otherwise Noted: .xxx =  $\pm 0.010$  (.xx =  $\pm 0.25$ )  
.xx =  $\pm 0.02$  (.x =  $\pm 0.5$ )

### Ordering Information

Part Number	Package
FL05-0001-G	SOIC 8-Lead Plastic Package
FL05-0001-G-TR	Forward Tape and Reel*
FL05-0001-G-RTR	Reverse Tape and Reel*

\* If specific reel size is required, consult factory for part number assignment.

### Typical Electrical Specifications<sup>1</sup>, T<sub>A</sub> = +25°C

Parameter	Units	Min	Typ	Max
Insertion Loss:800-3000MHz	dB	—	0.5	1.0
VSWR: 800 - 3000 MHz			1.5:1	1.8:1
Rejection: DC-400MHz	dB	15	20	—

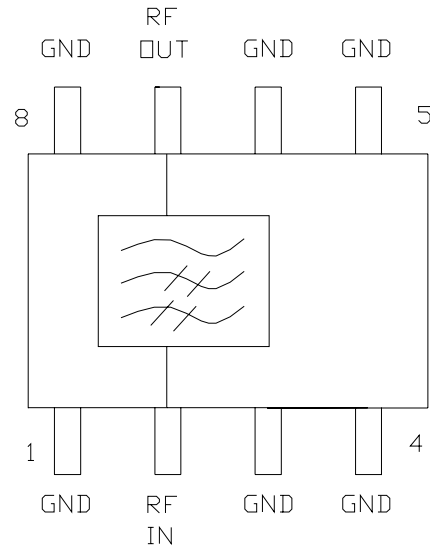
1. All specifications apply with a 50-Ohm source and load impedance.

**Absolute Maximum Ratings<sup>1</sup>**

Parameter	Absolute Maximum
Input Power	2 W CW
Operating Temperature	-40°C to +85°C
Storage Temperature	-65°C to +150°C

1. Exceeding these limits may cause permanent damage.

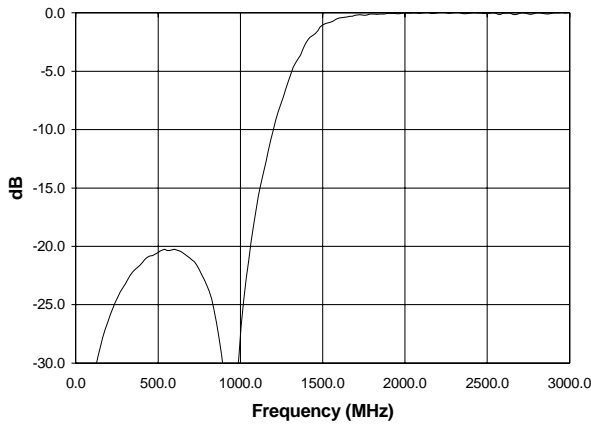
**Functional Diagram**



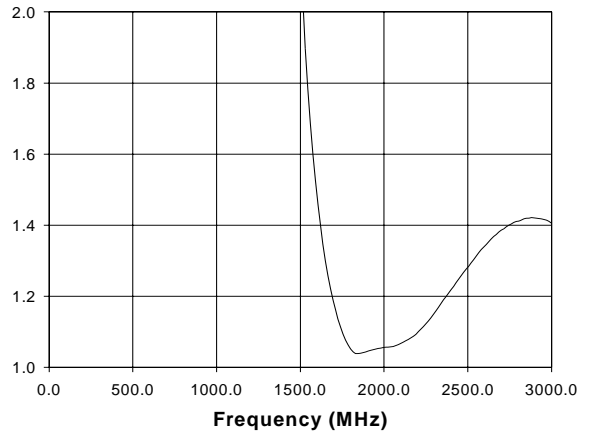
All unused pins must be RF and DC grounded.  
Pins 1 and 4 are thermal ground contacts.

**Typical Performance @ +25°C**

**Insertion Loss vs Frequency**



**VSWR vs Frequency**



www.macom.com

M/A-COM Division of AMP Incorporated ■ North America: Tel. (800) 366-2266, Fax (800) 618-8883 ■ Asia/Pacific: Tel.+85 2 2111 8088, Fax +85 2 2111 8087 ■ Europe: Tel. +44 (1344) 869 595, Fax+44 (1344) 300 020

AMP and Connecting at a Higher Level are trademarks.  
Specifications subject to change without notice.

S1511A V1.00

