
EM78862B

**8-Bit RISC Type
Microprocessor**

**Product
Specification**

VERSION 1.1

ELAN MICROELECTRONICS CORP.

March 2005



Specification Revision Chronology		
Version	Revision Description	Date
1.0	Initial version	Aug. 02, 2004
1.1	Revised operating temp to -40°C ~ 85°C	Mar. 01, 2005

Trademark Acknowledgments

IBM is a registered trademark and PS/2 is a trademark of IBM.

Microsoft, MS, MS-DOS, and Windows are registered trademarks of Microsoft Corporation.

© 2003 ELAN Microelectronics Corporation

All Rights Reserved

Printed in Taiwan, ROC, Mar-01-2005 (Version 1.1)

The contents of in this specification are subject to change without notice. ELAN Microelectronics assumes no responsibility for errors that may appear in this specification. ELAN Microelectronics makes no commitment to update, or to keep current, the information contained in this specification. The software (if any) described in this specification is furnished under a license or nondisclosure agreement, and may be used or copied only in accordance with the terms of the agreement.

ELAN Microelectronics products are not intended for use in life support appliances, devices, or systems. Use of ELAN Microelectronics product in such applications is not supported and is prohibited.

NO PART OF THIS SPECIFICATION MAY BE REPRODUCED OR TRANSMITTED IN ANY FORM OR BY ANY MEANS WITHOUT THE EXPRESS WRITTEN PERMISSION OF ELAN MICROELECTRONICS.



ELAN MICROELECTRONICS CORPORATION

Headquarters:

No. 12, Innovation Road 1
Science-based Industrial Park
Hsinchu, Taiwan, R.O.C. 30077
Tel: +886 3 563-9977
Fax: +886 3 563-9966
<http://www.emc.com.tw>

Hong Kong:

Elan (HK) Microelectronics Corporation, Ltd.
Rm. 1005B, 10/F Empire Centre
68 Mody Road, Tsimshatsui
Kowloon, HONG KONG
Tel: +852 2723-3376
Fax: +852 2723-7780
<http://www.elanhk.com.hk>

USA:

Elan Information Technology Group
10062 Miller Ave., Suite 100
Cupertino, CA 95014
USA
Tel: +1 048 366-8223
Fax: +1 048 366-8220

Europe:

Elan Microelectronics Corp. (Europe)
Siewerdstrasse 105
8050 Zurich, SWITZERLAND
Tel: +41 43 299-4060
Fax: +41 43 299-4079
<http://www.elan-europe.com>

Shenzhen:

Elan (Shenzhen) Microelectronics Corporation, Ltd.
Rm. 420/4Fl., Fuxing Garden
Fuxing Rd, Futian Dist., Shenzhen
Guandong, CHINA 518031
Tel: +86 755 2601-0565
Fax: +86 755 2601-0500

Shanghai:

Elan Electronics (Shanghai) Corporation, Ltd.
23/Bldg. 115, Lane 572, Bibo Road
Zhangliang Hi-Tech Park
Shanghai, CHINA
Tel: +86 021 5080-3866
Fax: +86 021 5080-4600

Contents

1	General Description	1
2	Features	1
2.1	CPU.....	1
2.2	LCD.....	2
3	Applications	2
4	Pin Configurations	2
4.1	Pin Description.....	3
5	Functional Block Diagram	4
6	Functional Descriptions	5
6.1	Operational Registers	5
6.1.1	R0 (Indirect Address Register)	5
6.1.2	R1 (TCC).....	5
6.1.3	R2 (Program Counter).....	5
6.1.4	R3 (Status Register)	6
6.1.5	R4 (Register Bank Select Register).....	7
6.1.6	R5 (Program Page Select Register)	7
6.1.7	R6 (Port 6).....	7
6.1.8	R7 (Port 7).....	7
6.1.9	R8 (Port 8).....	8
6.1.10	R9 (Port 9).....	8
6.1.11	RA (Mode Control Register)	8
6.1.12	RB (Reserved).....	9
6.1.13	RC (2K RAM Address).....	9
6.1.14	RD (2K RAM Data).....	9
6.1.15	RE (LCD Driver, WDT Control)	9
6.1.16	RF (Interrupt Status Register).....	11
6.1.17	R10 ~ R1F and R20 ~ R3F (General Purpose Register)	11
6.2	Special Purpose Registers	11
6.2.1	A (Accumulator, ACC).....	11
6.2.2	CONT (Control Register)	11
6.2.3	IOC5 (Port 5 I/O Control Register).....	12
6.2.4	IOC6 (Port 6 I/O Control Register).....	12
6.2.5	IOC7 (Port 7 I/O Control Register).....	13
6.2.6	IOC8 (Port 8 I/O Control Register).....	13
6.2.7	IOC9 (Port 9 I/O Control Register).....	13

6.2.8	IOCA (2K RAM Bank, Port 8 I/O, Page Control Register, R/W, Default "00000000")	13
6.2.9	IOCB (LCD Address, Counter 1 Preset Register)	14
6.2.9.1	Page 0 (LCD Address)	14
6.2.9.2	Page 1 (Counter 1 Preset Register)	15
6.2.10	IOCC (LCD Data, Counter 2)	15
6.2.10.1	Page 0 (LCD Data)	15
6.2.10.2	Page 1 (Counter 2)	15
6.2.11	IOCD (Pull-High Control Register, R-Option Register)	15
6.2.11.1	Page 0 (Pull-High Control Register)	15
6.2.11.2	Page 1 (R-Option Control Register)	15
6.2.12	IOCE (Port9 GPIO/LCD Segment, Port6 GPIO/LCD Com, LCD Bias Scan Key Signal, Port7 Open Drain, Counter 1/2 Clock Source, Counter1 Pre-Scaler Control Register)	16
6.2.12.1	Page 0 (Port9 GPIO/LCD Segment, Port6 GPIO/LCD Com, LCD Bias, Scan Key Signal Control Register)	16
6.2.12.2	Page 1 (Port 7 Open Drain, Counter 1/2 Clock Source, Counter 1 Pre-Scaler)	18
6.2.13	IOCF (Interrupt Mask Register)	18
6.3	TCC/WDT Pre-Scaler	19
6.4	I/O Ports	20
6.5	RESET and Wake-Up	20
6.6	Oscillator	22
6.7	Interrupt	22
6.8	LCD Driver	23
6.8.1	LCD Driver Control	24
6.8.1.1	LCD Driver, WDT Control (RE)	24
6.8.2	LCD Display Area	25
6.8.2.1	IOCB (LCD RAM Display Address)	25
6.8.2.2	IOCC (LCD RAM Display Data)	25
6.8.3	LCD COM and SEG Signal	26
6.8.4	LCD Bias Control	27
6.8.4.1	IOCE (Bias Control Register)	27
6.9	Code Options	28
6.10	Instruction Set	28
7	Absolute Maximum Ratings	30
8	DC Electrical Characteristics	31
9	AC Electrical Characteristics	32
10	Timing Diagram	33
11	Application Circuit	34
11.1	Application with Crystal Mode	34
11.2	Application with RC Mode	35



1 General Description

The EM78862B is an 8-bit RISC type microprocessor with low power, high speed CMOS technology. Integrated into the single chip are on chip watchdog (WDT), RAM, ROM, programmable real-time clock/counter, internal interrupt, power-down mode, LCD driver, and tri-state I/O. The EM78862B provides a single chip solution for designing DATA-BANK of message display.

The following table shows how EM78862B compares with other MCU's of the same series.

Item	EM78862	EM78862B	EM78869
ROM size	16K X 13 bit	16K X 13 bit	8K X 13 bit
RAM size	2.2K X 8 bit	2.2K X 8 bit	0.7K X 8 bit
LCD	60 X 9	60 X 9	40 X 9
LCD RAM	Write only when LCD is enabled. Read/Write when disabled.		
Oscillator	Crystal	Crystal/RC	Crystal/RC
Code option	MCLK	MCLK/OSCSEL	MCLK/ELCD/OSCSEL
Pins number	84	84	64
OTP	EM78P862A	EM78P862A	EM78P862A

2 Features

2.1 CPU

- Operating voltage range: 2.2V ~ 5.5V
- 16K X 13 on chip ROM
- 2.2K X 8 on chip RAM
- Up to 29 bi-directional and tri-state I/O ports
- 8 level stack for subroutine nesting
- 8-bit real time clock/counter (TCC)
- Two sets of 8 bit counters can be interrupt sources
- Programmable free running on chip watchdog timer
- Four modes (internal PLL clock 3.579MHz)
 - SLEEP Mode: CPU and 3.579MHz clock turn off, 32.768KHz clock turn off
 - IDLE Mode: CPU and 3.579MHz clock turn off, 32.768KHz clock turn on
 - GREEN Mode: 3.579MHz clock turn off, CPU and 32.768KHz clock turn on
 - NORMAL Mode: 3.579MHz clock turn on, CPU and 32.768KHz clock turn on
- Input port wake up function
- Seven interrupt sources; 4 external, 3 internal
- 84-pin chip (EM78862BH)
- Port key scan function
- Clock frequency 32.768KHz or RC mode
- Eight R-option pins

2.2 LCD

- Software selectable LCD operation voltage
- Common driver pins: 9
- Segment driver pins: 60
- 1/4 bias
- 1/8, 1/9 duty

3 Applications

- Data Bank
- Message display box
- Scientific calculator

4 Pin Configurations

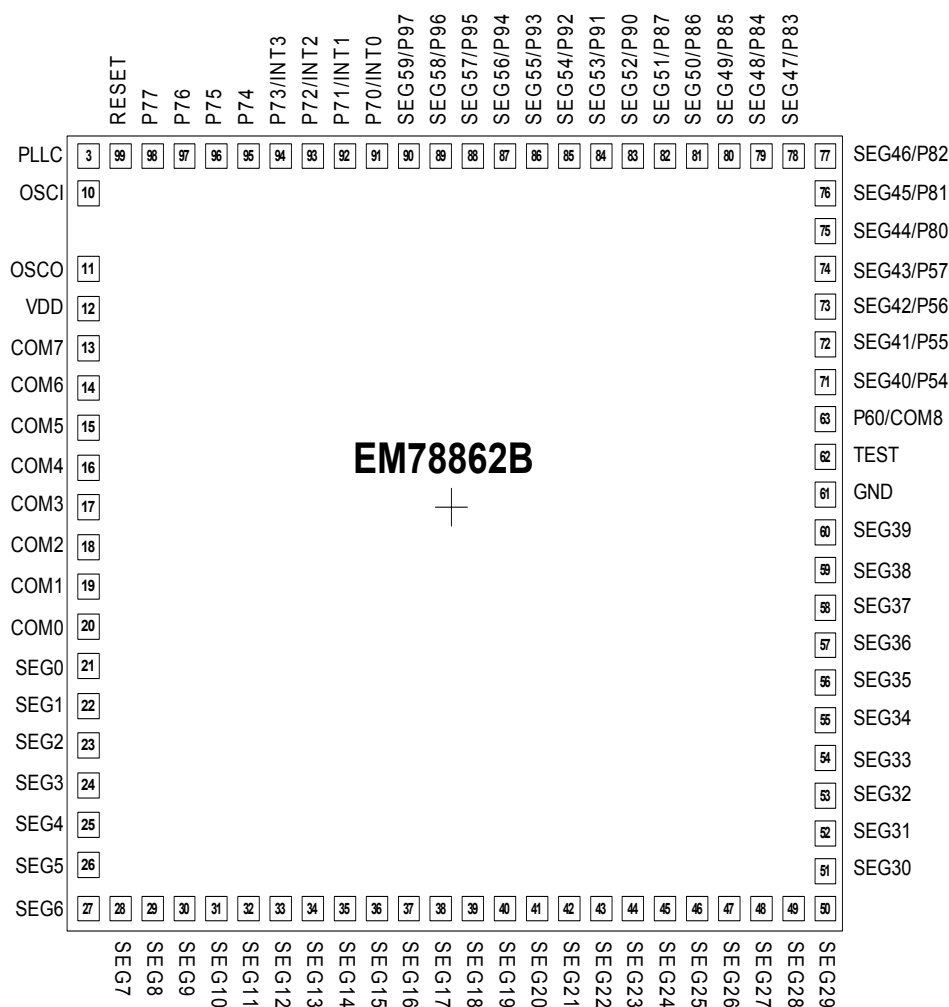


Fig. 1 EM78862B Pin Configuration for Dice Form



4.1 Pin Description

Pin Name	Pin #	I/O Type	Description
VDD	12	Power	Digital power and analog power
GND	61	Power	Digital and analog ground
OSCI	10	I	Input pin for 32.768 KHz oscillator or installing a resistor for RC mode
OSCO	11	O	Output pin for 32.768 KHz oscillator
COM0 ~ COM7, COM8	20 ~ 13, 63	O	Common driver pins of LCD driver
SEG0 ~ SEG39	21 ~ 60	O	Segment driver pins of LCD driver
SEG40 ~ SEG59	71 ~ 90	O	Segment driver pins of LCD driver
PLLCC	3	I	Phase loop lock capacitor. Connect a capacitor 0.01u to 0.047u with GND
INT0 ~ INT3	91 ~ 94	I	PORT 7 (0) ~ PORT 7 (3) Interrupt Signals (FALLING EDGE)
P5.4 ~ P5.7	71 ~ 74	I/O	PORT 5 (INPUT or OUTPUT port per bit). Shared with LCD segment signals
P6.0	63	I/O	PORT 6 (INPUT or OUTPUT port per bit). Shared with LCD common signals
P7.0 ~ P7.7	91 ~ 98	I/O	PORT 7 (INPUT or OUTPUT port per bit). Internal Pull high function Key scans function
P8.0 ~ P8.7	75 ~ 82	I/O	PORT 8 (INPUT or OUTPUT port per bit) Shared with LCD segment signals
P9.0 ~ P9.7	83 ~ 90	I/O	PORT 9 (INPUT or OUTPUT port per bit) "And" can be set as wake-up watchdog timer "And" is shared with Segment signal
TEST	62	I	Test pin during test mode only. Normally low
RESET	99	I	System reset pin (LOW ACTIVE)

5 Functional Block Diagram

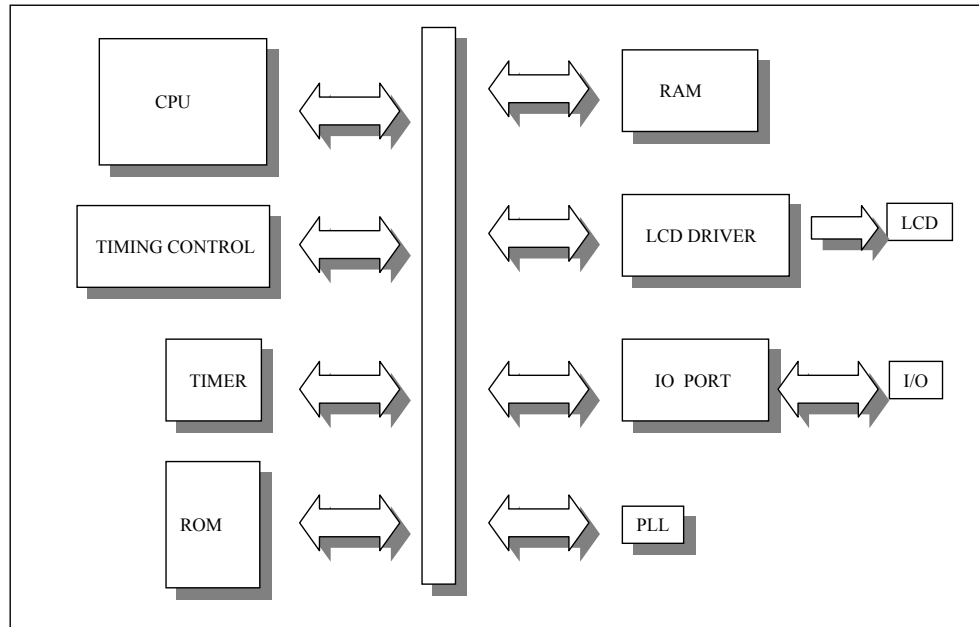


Fig. 2a System Overview Block Diagram

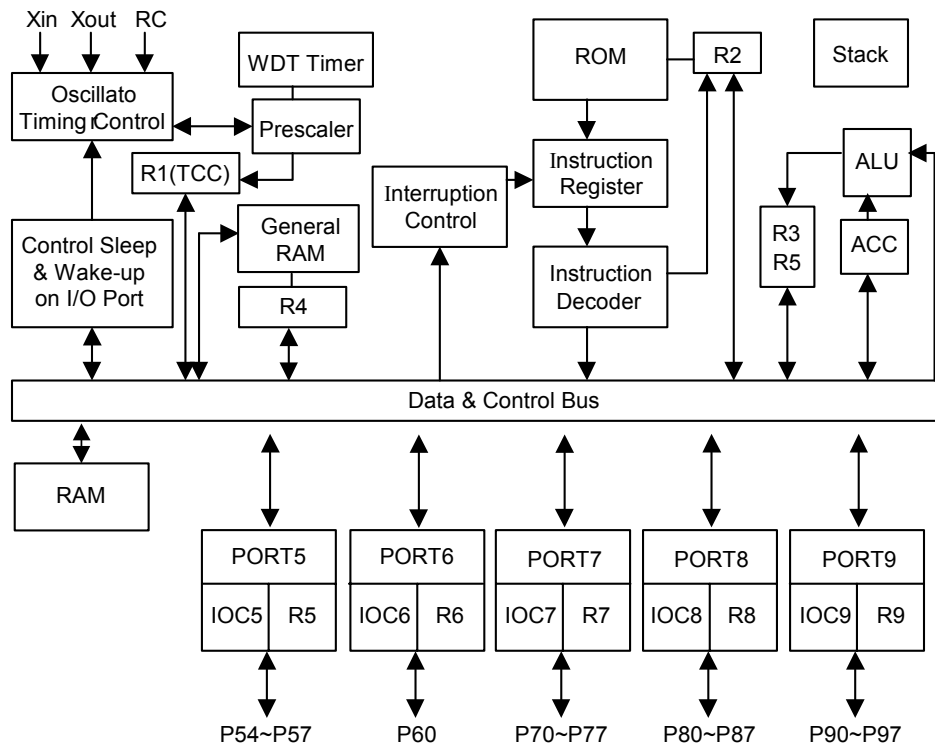


Fig. 2b System Functional Block Diagram

6 Functional Descriptions

6.1 Operational Registers

6.1.1 R0 (Indirect Address Register)

R0 is not a physically implemented register. It is useful as indirect addressing pointer. Any instruction using R0 as register actually accesses data pointed by the RAM Select Register (R4).

6.1.2 R1 (TCC)

- Increased by an external signal(16.384KHz or RC/2) , or by the instruction cycle clock.
- Written and read by the program as any other register.

6.1.3 R2 (Program Counter)

The structure is depicted in Fig. 3 below.

- Generates $16K \times 13$ on-chip ROM addresses to the relative programming instruction codes.
- "JMP" instruction allows the direct loading of the low 10 program counter bits.
- "CALL" instruction loads the low 10 bits of the PC and PC+1, then push into the **STACK** (14 bits).
- "RET" ("RETL k," "RETI") instruction loads the program counter with the contents at the top of stack.
- "MOV R2, A" allows the loading of an address from the A register to the PC, and the 9th and 10th bits are cleared to "0".
- "ADD R2, A" allows a relative address be added to the current PC, and contents of the ninth and tenth bits are cleared to "0".
- "TBL" allows a relative address to be added into the current PC, and its 9th and 10th bits content do not change. The most significant bit (A10~A13) will be loaded into the status register (R5) with the contents of bits PS0~PS3 upon execution of a "JMP," "CALL," "MOV R2, A," "ADD R2, A," or "TBL" instruction.

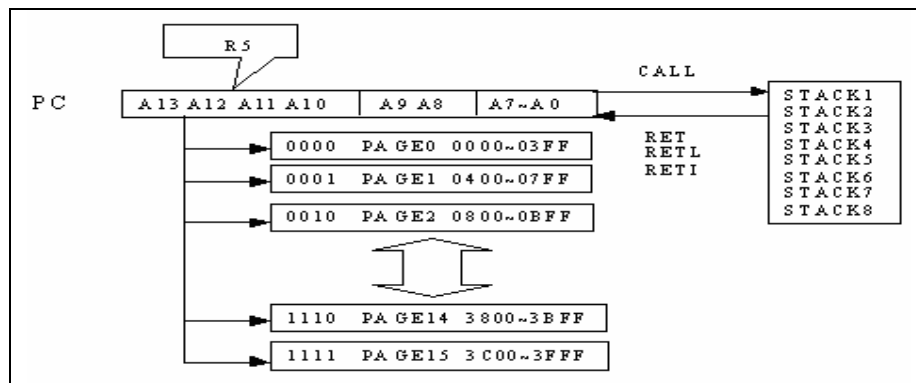


Fig. 3 Program Counter Organization

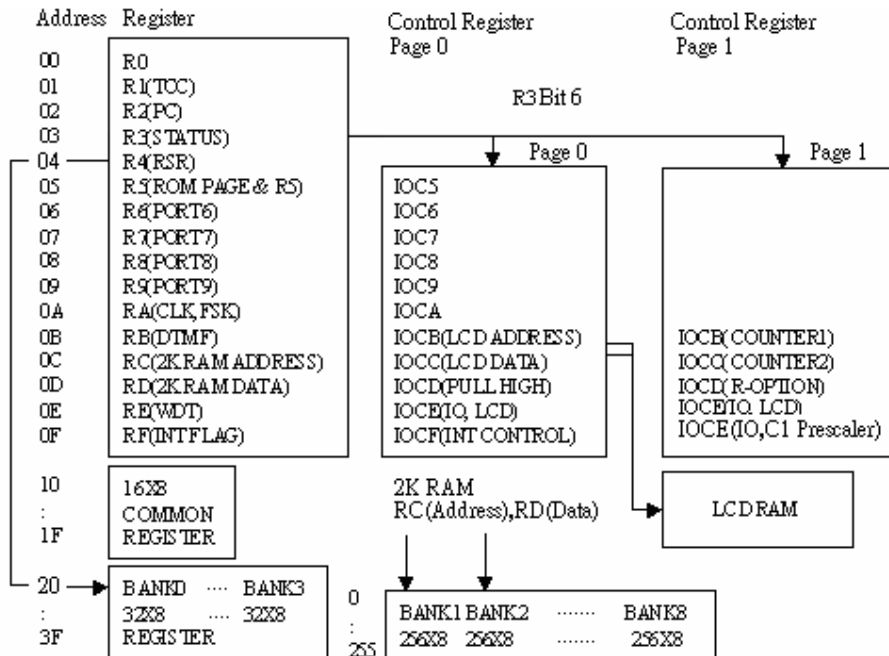


Fig. 4 Data Memory Configuration

6.1.4 R3 (Status Register)

Bit 7	Bit 6	Bit 5	Bit 4	Bit 3	Bit 2	Bit 1	Bit 0
-	PAGE	0	T	P	Z	DC	C

Bit 0: (C) Carry flag

Bit 1: (DC) Auxiliary carry flag

Bit 2: (Z) Zero flag

Bit 3: (P) Power down bit. Set to 1 during power on or by a "WDTC" command and reset to 0 by a "SLEP" command.

Bit 4: (T) Time-out bit. Set to 1 by the "SLEP" and "WDTC" command or during power up; and reset to 0 by WDT timeout.

Event	T	P	Remark
WDT wake-up from sleep mode	0	0	
WDT time out (not sleep mode)	0	1	
RESET wake up from sleep	1	0	Low active
Power up	1	1	
Low pulse on RESET pin	X	X	X =Don't care

Bit 5: Unused, fixed at "0"

Bit 6: (PAGE) Change IOCB ~ IOCE to another page, 0/1 => page0 / page1

Bit 7: Unused

6.1.5 R4 (Register Bank Select Register)

Bit 7	Bit 6	Bit 5	Bit 4	Bit 3	Bit 2	Bit 1	Bit 0
RBK1	RBK0	FSR5	FSR4	FSR3	FSR2	FSR1	FSR0

Bits 0 ~ 5: Used to select up to 32 registers in indirect address mode of each bank

Bits 6 ~ 7: Determine which bank is activated among the 4 banks

Refer to Fig. 4; *Data Memory Configuration* (previous page) for configuration of the data memory

6.1.6 R5 (Program Page Select Register)

Bit 7	Bit 6	Bit 5	Bit 4	Bit 3	Bit 2	Bit 1	Bit 0
R57	R56	R55	R54	PS3	PS2	PS1	PS0

Bit 0 ~ 3: (PS0 ~ PS3) Page select bits as shown below:

PS3	PS2	PS1	PS0	Program Memory Page (Address)
0	0	0	0	Page 0
0	0	0	1	Page 1
0	0	1	0	Page 2
::				::
1	1	1	0	Page 14
1	1	1	1	Page 15

You can use PAGE instruction to change and maintain program page. Otherwise, use far jump (FJMP) or far call (FCALL) MACRO instructions to program user's code. ÉLAN's compiler supports program page maintenance and can change your program by inserting instructions within its program.

Bit 4 ~ 7: 4-bit I/O registers of Port 5

6.1.7 R6 (Port 6)

Bit 7	Bit 6	Bit 5	Bit 4	Bit 3	Bit 2	Bit 1	Bit 0
-	-	-	-	-	-	-	R60

Bit 0: (R60) Port 6, single bit (Bit 0) I/O register

Bit 1 ~ 7: Unused

6.1.8 R7 (Port 7)

Bit 7	Bit 6	Bit 5	Bit 4	Bit 3	Bit 2	Bit 1	Bit 0
R77	R76	R75	R74	R73	R72	R71	R70

Bit 0 ~ 7: Port 7 8-bit I/O registers

6.1.9 R8 (Port 8)

Bit 7	Bit 6	Bit 5	Bit 4	Bit 3	Bit 2	Bit 1	Bit 0
R87	R86	R85	R84	R83	R82	R81	R80

Bit 0 ~ 7: Port 8 8-bit I/O registers

6.1.10 R9 (Port 9)

Bit 7	Bit 6	Bit 5	Bit 4	Bit 3	Bit 2	Bit 1	Bit 0
R97	R96	R95	R94	R93	R92	R91	R90

Bit 0 ~ 7: Port 9 8-bit I/O registers

6.1.11 RA (Mode Control Register)

Bit 7	Bit 6	Bit 5	Bit 4	Bit 3	Bit 2	Bit 1	Bit 0
IDLE	PLLEN	0	1	0	-	-	-

Bit 0 ~ 2: Unused

Bit 3: Reserved. Clear this bit to '0.'

Bit 4: Reserved. Always '1.'

Bit 5: Reserved. Clear this bit to '0'.

Bit 6: (Read/Write) PLL enable signal

0: Disable PLL

1: Enable PLL

The relation between 32.768K and 3.579M (X'TAL) is explained in Fig. 5 below.

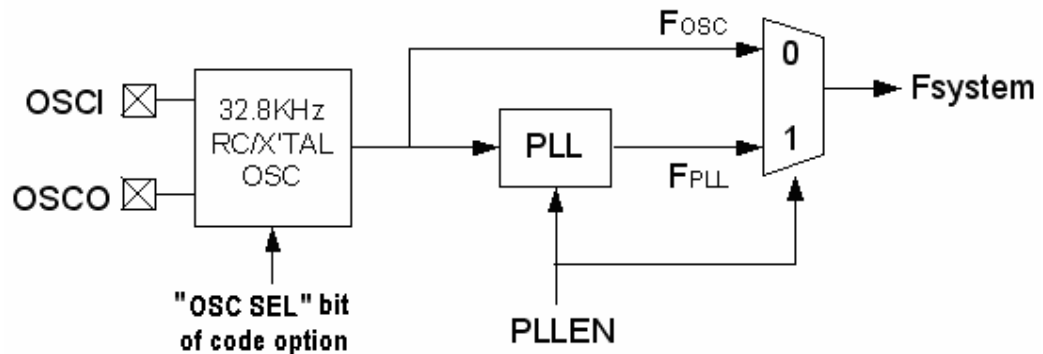


Fig. 5 The Relation between 32.768KHz and 3.579MHz

Bit 7: (IDLE) Sleep mode selection bit. This bit defines which SLEP instruction is to be executed.

0: Sleep mode

1: Idle mode

When Sleep mode is defined, program is re-activated by Watch Dog time-out or Port 9 signal input and resume running from the "Start vector" (0H).

When Idle mode is defined, program is re-activated by TCC clock or Watch Dog time-out, or by Port 9, 7.0 ~ 7.3 signal input. Program will continue running from the instruction that follows the "SLEP" instruction.



Wakeup Signal	SLEEP Mode	IDLE Mode	GREEN Mode	NORMAL Mode
	RA(7,6)=(0,0) + SLEP	RA(7,6)=(1,0) + SLEP	RA(7,6)=(x,0) no SLEP	RA(7,6)=(x,1) no SLEP
TCC Time-Out	X	Wake-up + Interrupt + Next instruction	Interrupt	Interrupt
WDT Time-Out	RESET	Wake-up + Next instruction	RESET	RESET
Port 9	RESET	Wake-up + Next instruction	X	X
Port 7.0 ~ 7.3	X	Wake-up + Interrupt + Next instruction	Interrupt	Interrupt

NOTES: P7.0 ~ P7.3 wake-up function is controlled by IOCF (1, 2, 3, 7) and ENI instruction.
P7.0 wakeup signal is a **RISING** or **FALLING** signal defined by CONT register Bit 7.
Port 9, Port 7.1, Port 7.2, and Port 7.3 wake-up signals are a **FALLING EDGE** signal.
X=Don't care

6.1.12 RB (Reserved)

Bit 7	Bit 6	Bit 5	Bit 4	Bit 3	Bit 2	Bit 1	Bit 0
1	1	1	1	1	1	1	1

Bit 0 ~ 7: Reserved. Set Bit 7 to Bit 0 to '1'

6.1.13 RC (2K RAM Address)

Bit 7	Bit 6	Bit 5	Bit 4	Bit 3	Bit 2	Bit 1	Bit 0
RAM_A7	RAM_A6	RAM_A5	RAM_A4	RAM_A3	RAM_A2	RAM_A1	RAM_A0

Bit 0 ~ 7: Select data bank RAM address of up to 256. IOCA is the register for bank selection.

6.1.14 RD (2K RAM Data)

Bit 7	Bit 6	Bit 5	Bit 4	Bit 3	Bit 2	Bit 1	Bit 0
RAM_D7	RAM_D6	RAM_D5	RAM_D4	RAM_D3	RAM_D2	RAM_D1	RAM_D0

Bit 0 ~ 7: 2K bytes RAM data transfer register

NOTE
Refer to Section 6.2.8; **IOCA Register** on how to select RAM bank.

6.1.15 RE (LCD Driver, WDT Control)

Bit 7	Bit 6	Bit 5	Bit 4	Bit 3	Bit 2	Bit 1	Bit 0
0	WDTE	WUP9H	WUP9L	0	LCD_C2	LCD_C1	LCD_M

Bit 0: (LCD_M) LCD_M defines the LCD control methods, including duty (see table next page).

Bit 1~2: (LCD_C#) Defines LCD display mode; enable, disable, or blanking (see following table).

LCD_C2	LCD_C1	LCD_M	LCD Display Control	Duty	Bias
0	0	0	Change duty	1/9	1/4
0	0	1	Disable (turn off LCD)	1/8	1/4
0	1	0	Blanking	1/9	1/4
0	1	1	Blanking	1/8	1/4
1	0	0	(Don't care)	1/9	1/4
1	0	1	(Don't care)	1/8	1/4
1	1	0	LCD display enable	1/9	1/4
1	1	1	LCD display enable	1/8	1/4

Bit 3: Reserved. Clear this bit to '0'.

Bit 4: (WUP9L) Port 9 low nibble Wake-Up Enable. Use to enable the low nibble wake-up function in Port 9.

0: Disable

1: Enable

Bit 5: (WUP9H) Port 9 high nibble Wake-Up Enable. Use to enable the high nibble wake-up function in Port 9.

0: Disable

1: Enable

Bit 6: (WDTE = Watch Dog Timer Enable)

Control bit is used to enable Watchdog timer. The relation between Bit 4 to Bit 6 is illustrated in Fig. 6 below.

0: Disable

1: Enable

Bit 7: Reserved. Clear this bit to '0'

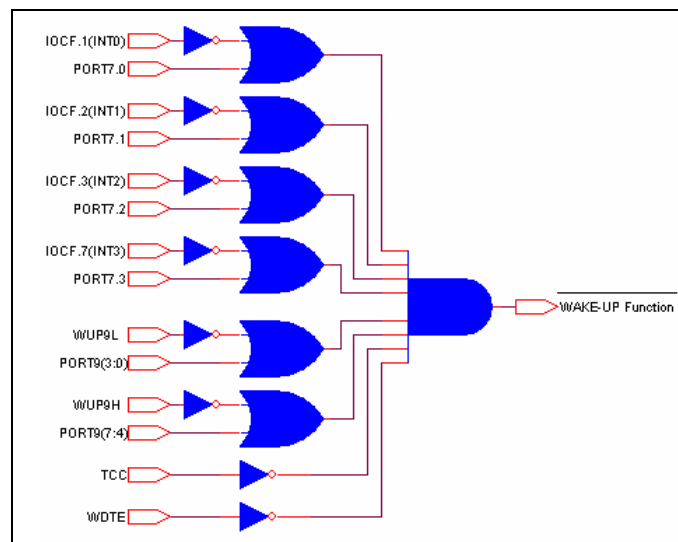


Fig. 6 Wake-up Function and Control Signal

6.1.16 RF (Interrupt Status Register)

Bit 7	Bit 6	Bit 5	Bit 4	Bit 3	Bit 2	Bit 1	Bit 0
INT3	0	C8_2	C8_1	INT2	INT1	INT0	TCIF

Bit 0: (TCIF) TCC timer overflow interrupt flag. Set when TCC timer overflows.

Bit 1: (INT0) External INT0 pin interrupt flag

Bit 2: (INT1) External INT1 pin interrupt flag

Bit 3: (INT2) External INT2 pin interrupt flag

Bit 4: (C8_1) Internal 8 bit counter interrupt flag

Bit 5: (C8_2) Internal 8 bit counter interrupt flag

Bit 6: Unused. Clear to '0.'

Bit 7: (INT3) External INT3 pin interrupt flag

NOTE

1. "1" means interrupt request; "0" means non-interrupt
2. Refer to Section 6.7 (**Interrupt**) for reference on high to low edge trigger
3. IOCF is the interrupt mask register. You can read and clear this register.

6.1.17 R10 ~ R1F and R20 ~ R3F (General Purpose Register)

R10 ~ R1F & R20 ~ R3F (Banks 0~3) are general-purpose registers.

6.2 Special Purpose Registers

6.2.1 A (Accumulator, ACC)

Internal data transfer, or instruction operand holding. This is not an addressable register.

6.2.2 CONT (Control Register)

Bit 7	Bit 6	Bit 5	Bit 4	Bit 3	Bit 2	Bit 1	Bit 0
INT_EDGE	INT	TS	-	PAB	PSR2	PSR1	PSR0

Bit 0 ~ 2: (PSR0 ~ PSR2) TCC/WDT pre-scaler bits

PSR2	PSR1	PSR0	TCC Rate	WDT Rate
0	0	0	1:2	1:1
0	0	1	1:4	1:2
0	1	0	1:8	1:4
0	1	1	1:16	1:8
1	0	0	1:32	1:16
1	0	1	1:64	1:32
1	1	0	1:128	1:64
1	1	1	1:256	1:128



- Bit 3: (PAB) Pre-scaler assignment bit
 - 0: For TCC use
 - 1: For WDT use
- Bit 4: Unused
- Bit 5: (TS) TCC signal source
 - 0: Internal instruction cycle clock
 - 1: 16.384KHz or RC/2 (in RC mode)
- Bit 6: (INT):INT enable flag. This bit is read only
 - 0: Interrupt masked by DISI or hardware interrupt
 - 1: Interrupt enabled by ENI/RETI instruction
- Bit 7: INT_EDGE
 - 0: P7.0 (INT0) interrupt source is a rising edge signal
 - 1: P7.0 (INT0) interrupt source is a falling edge signal

NOTE
CONT is a readable and writable register.

6.2.3 IOC5 (Port 5 I/O Control Register)

Bit 7	Bit 6	Bit 5	Bit 4	Bit 3	Bit 2	Bit 1	Bit 0
IOC57	IOC56	IOC55	IOC54	0	0	0	P5S

- Bit 0: P5S is switch register for I/O port or LCD signal switching.
 - 0: Select normal I/O port
 - 1: Select SEG40~SEG43 output as LCD SEGMENT output
- Bit 1: Unused.
- Bit 2: Unused.
- Bit 3: Unused.
- Bit 4 ~ 7: Port 5 I/O direction control registers
 - 0: Set the relative I/O pin as output
 - 1: Set the relative I/O pin into high impedance

6.2.4 IOC6 (Port 6 I/O Control Register)

Bit 7	Bit 6	Bit 5	Bit 4	Bit 3	Bit 2	Bit 1	Bit 0
0	0	0	0	0	0	0	IOC60

- Bit 0: (IOC60) Port 6 I/O direction control register
 - 0: Set the relative I/O pins as output
 - 1: Set the relative I/O pin into high impedance
- Bit 2 ~ 7 Unused. Clear to '0'

NOTE
Refer to Section 6.2.12, IOCE (Bit 5) Register on how to switch Port 6 to normal I/O port.



6.2.5 IOC7 (Port 7 I/O Control Register)

Bit 7	Bit 6	Bit 5	Bit 4	Bit 3	Bit 2	Bit 1	Bit 0
IOC77	IOC76	IOC75	IOC74	IOC73	IOC72	IOC71	IOC70

Bit 0 ~ 7: (IOC70 ~ IOC77) Port 7 I/O direction control register

0: Set the relative I/O pins as output

1: Set the relative I/O pin into high impedance

6.2.6 IOC8 (Port 8 I/O Control Register)

Bit 7	Bit 6	Bit 5	Bit 4	Bit 3	Bit 2	Bit 1	Bit 0
IOC87	IOC86	IOC85	IOC84	IOC83	IOC82	IOC81	IOC80

Bit 0 ~ 7: (IOC80 ~ IOC87) Port 8 I/O direction control register

0: Set the relative I/O pins as output

1: Set the relative I/O pin into high impedance

NOTE

Refer to Section 6.2.8, IOCA (Bit6/7) Register below on how to switch Port 8 to normal I/O port.

6.2.7 IOC9 (Port 9 I/O Control Register)

Bit 7	Bit 6	Bit 5	Bit 4	Bit 3	Bit 2	Bit 1	Bit 0
IOC97	IOC96	IOC95	IOC94	IOC93	IOC92	IOC91	IOC90

Bit 0 ~7: (IOC90 ~ IOC97) Port 9 I/O direction control register

0: Set the relative I/O pins as output

1: Set the relative I/O pin into high impedance

NOTE

Refer to Section 6.2.12, IOCE (Bit6/7) Register on how to switch Port 9 to normal I/O port.

6.2.8 IOCA (2K RAM Bank, Port 8 I/O, Page Control Register, R/W, Default "00000000")

Bit 7	Bit 6	Bit 5	Bit 4	Bit 3	Bit 2	Bit 1	Bit 0
P8SH	P8SL	0	0	RAMBK2	RAMBK1	RAMBK0	0

Bit 0: Unused. Clear to '0'

Bit 1 ~ 3: (RAMBK0 ~ RAMBK2) Select 640 bytes RAM bank.

RAMBK_2	RAMBK_1	RAMBK_0	Note (Total Size)
0	0	0	RAM BANK0 (256 Bytes)
0	0	1	RAM BANK1 (256 Bytes)
0	1	0	RAM BANK2 (256 Bytes)
0	1	1	RAM BANK3 (256 Bytes)
1	0	0	RAM BANK4 (256 Bytes)
1	0	1	RAM BANK5 (256 Bytes)
1	1	0	RAM BANK6 (256 Bytes)
1	1	1	RAM BANK7 (256 Bytes)



Bit 4 ~ 5: Unused. Clear the bits to '0'

Bit 6: (P8SL) Port 8 low nibble switch
 0: Normal I/O port
 1: Segment output

Bit 7: (P8SH) Port 8 high nibble switch
 0: Normal I/O port
 1: Segment output

6.2.9 IOCB (LCD Address, Counter 1 Preset Register)

6.2.9.1 Page 0 (LCD Address)

Bit 7	Bit 6	Bit 5	Bit 4	Bit 3	Bit 2	Bit 1	Bit 0
0	LCDA6	LCDA5	LCDA4	LCDA3	LCDA2	LCDA1	LCDA0

Bit 0 ~ 6: (LCDA0~LCDA6) LCD address

The LCD display data is stored in the data RAM. The relation between data area and COM/SEG pin is as follows:

SEGMENT	IOCC (COM7 ~ COM0)	IOCB (Address)	Remarks
SEG 0		00H	1/8 DUTY
SEG 1		01H	
:			
:			
SEG 38		3AH	
SEG 39		3BH	
Unused		3CH	
Unused		:	
Unused		3FH	
SEGMENT	IOCC(COM 8)	IOCB(Address)	Remarks
SEG 0		40H	1/9 DUTY
SEG 1		41H	
:			
:			
SEG 58		7AH	
SEG 59		7BH	
Unused	X	7CH	
:	:	:	

Bit 7: Unused. Fixed at '0'.

NOTE
Writable only when LCD is enabled. Read/Write when disabled.

6.2.9.2 Page 1 (Counter 1 Preset Register)

Bit 7	Bit 6	Bit 5	Bit 4	Bit 3	Bit 2	Bit 1	Bit 0
C1D7	C1D6	C1D5	C1D4	C1D3	C1D2	C1D1	C1D0

Bit 0 ~ 7: (C1D0~C1D7) 8 bit up counter (COUNTER1) preset and read out register (write = preset). After an interruption, it will count from "0".

6.2.10 IOCC (LCD Data, Counter 2)

6.2.10.1 Page 0 (LCD Data)

Bit 7	Bit 6	Bit 5	Bit 4	Bit 3	Bit 2	Bit 1	Bit 0
LCDD7	LCDD6	LCDD5	LCDD4	LCDD3	LCDD2	LCDD1	LCDD0

Bit 0 ~ 7: (LCDD0~LCDD7) LCD RAM data register

6.2.10.2 Page 1 (Counter 2)

Bit 7	Bit 6	Bit 5	Bit 4	Bit 3	Bit 2	Bit 1	Bit 0
C2D7	C2D6	C2D5	C2D4	C2D3	C2D2	C2D1	C2D0

Bit 0 ~ 7: (C2D0~C2D7) 8 bit up-counter (COUNTER2) preset and read out register (Write = preset). After an interruption, it will count from "00".

6.2.11 IOCD (Pull-High Control Register, R-Option Register)

6.2.11.1 Page 0 (Pull-High Control Register)

Bit 7	Bit 6	Bit 5	Bit 4	Bit 3	Bit 2	Bit 1	Bit 0
PH77	PH76	PH75	PH74	PH73	PH72	PH71	PH70

Bit 0 ~ 7: (PH70~PH77) Control bit is used to enable the pull-high of Port 7 (#) pin.
 0: Disable internal pull-high register
 1: Enable internal pull-high register

6.2.11.2 Page 1 (R-Option Control Register)

Bit 7	Bit 6	Bit 5	Bit 4	Bit 3	Bit 2	Bit 1	Bit 0
RO7	RO6	RO5	RO4	RO3	RO2	RO1	RO 0

Bit 0 ~ 7: (RO0~RO7) Control bit is used to enable the R-Option of Port 9.0 ~ Port 9.7 pins.
 0: Disable R-Option
 1: Enable R-Option

RO is used for R-OPTION. Setting RO to '1' will enable the status of R-option pin (P9.0 ~ P9.7) to read by controller. Clearing RO will disable R-option function. If the R-option function is used, you must connect the PORT9 pin to GND by 560K external registers. If the register is connected/disconnected, the R9 will read as "0/1" when RO is set to '1'.

6.2.12 IOCE (Port9 GPIO/LCD Segment, Port6 GPIO/LCD Com, LCD Bias, Scan Key Signal, Port7 Open Drain, Counter 1/2 Clock Source, Counter1 Pre-Scaler Control Register)

6.2.12.1 Page 0 (Port9 GPIO/LCD Segment, Port6 GPIO/LCD Com, LCD Bias, Scan Key Signal Control Register)

Bit 7	Bit 6	Bit 5	Bit 4	Bit 3	Bit 2	Bit 1	Bit 0
P9SH	P9SL	P6S	BIAS3	BIAS2	BIAS1	0	SC

Bit 0: (SC) Scan key signal.

- 0: Disable scan key signal
- 1: Enable scan key signal

Once you enable this bit, all of the LCD signal will have a low pulse during a common period. This pulse has 30µs width. Use the following procedures to implement the key scans function:

- a) Set Port7 as input port
- b) Set IOCD Page 0 Port 7 to pull high
- c) Enable scan key signal
- d) Once a key is pressed, set RA (6)=1, and switch to normal mode
- e) Blank LCD. Disable scan key signal
- f) Set P9SL = 0, P9SH = 0. Port 9 sent probe signal to Port 7 and read Port 7 to get the key.

Note that a probe signal instruction delay will occur before the next instruction is performed.

- g) Set P9SH = 1, P9SL =1. Define Port 9 as LCD signal and enable LCD.

NOTE
This procedure is also applicable to Port 6 and Port 8.

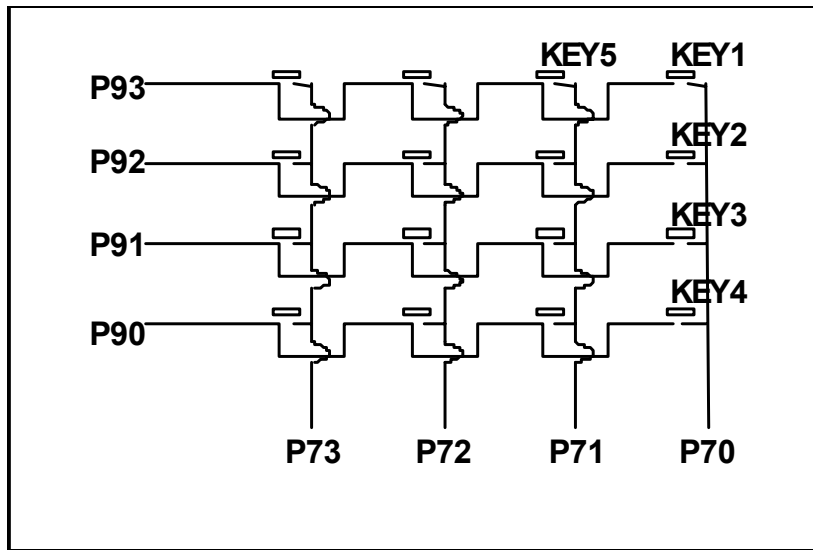


Fig. 7 Key Scans Circuit

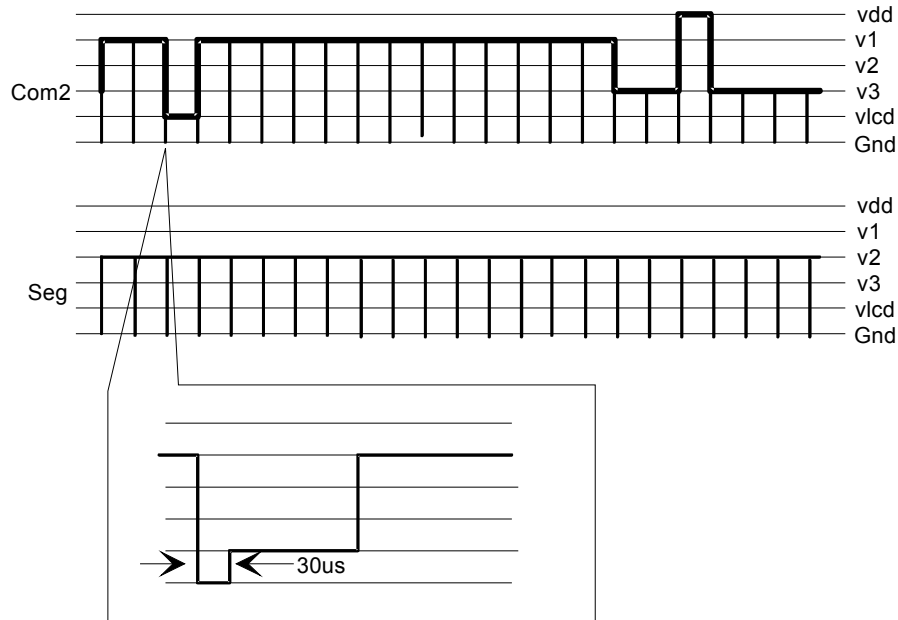


Fig. 8 Key Scan Signal

Bit 1: Port 7 PULL HIGH register option. Use default value.

Bit 2 ~ 4: (BIAS1~BIAS3) Control bits are used to choose LCD operation voltage.

BIAS3	BIAS2	BIAS1	Ratio	LCD Vop (VDD=5V)
0	0	0	0.60 VDD	3.0V
0	0	1	0.66 VDD	3.3V
0	1	0	0.74 VDD	3.7V
0	1	1	0.82 VDD	4.0V
1	0	0	0.87 VDD	4.4V
1	0	1	0.93 VDD	4.7V
1	1	0	0.96 VDD	4.8V
1	1	1	1.00 VDD	5.0V

Bit 5: (P6S) Port 6 switch

0: Normal I/O port

1: Common output of LCD

Bit 6: (P9SL) Port 9 low nibble switch

0: Normal I/O port

1: Segment output of LCD

Bit 7: (P9SH) Port 9 high nibble switch

0: Normal I/O port

1: Segment output of LCD



6.2.12.2 Page 1 (Port 7 Open Drain, Counter 1/2 Clock Source, Counter 1 Pre-Scaler)

Bit 7	Bit 6	Bit 5	Bit 4	Bit 3	Bit 2	Bit 1	Bit 0
OP77	OP76	C2S	C1S	PSC1	PSC0	0	0

Bit 0: Unused.

Bit 1: Unused.

Bit 2 ~ 3: (PSC0~PSC1) Counter1 prescaler, reset=(0,0)

PSC1	PSC0	Counter 1 Rate
0	0	1:1
0	1	1:4
1	0	1:8
1	1	Reserved

Bit 4: (C1S) Counter 1 source.

0: 32768Hz / RC

1: 3.579MHz, if enable PLL (Crystal mode)

Bit 5: (C2S) Counter 2 source. Scale=1:1

0: 32768Hz / RC

1: 3.579MHz, if enable PLL (Crystal mode)

Bit 6: (OP76) P76 open-drain control

0: Disable

1: Enable

Bit 7: (OP77) P77 open-drain control

0: Disable

1: Enable

6.2.13 IOCF (Interrupt Mask Register)

Bit 7	Bit 6	Bit 5	Bit 4	Bit 3	Bit 2	Bit 1	Bit 0
INT3	0	C8_2	C8_1	INT2	INT1	INT0	TCIF

Bit 0 ~ 5, & Bit7: Interrupt enable bit.

0: Disable interrupt

1: Enable interrupt

Bit 6: Reserved. Clear the bit to '0'

NOTE
IOCF Register is readable and writable.

6.3 TCC/WDT Pre-Scaler

- An 8-bit counter is available as pre-scaler for the TCC or WDT. The pre-scaler is available only to either the TCC or WDT at a time.
- An 8-bit counter is available for TCC or WDT as determined by the status of Bit 3 (PAB) of CONT register.
- The pre-scaler ratio is described in Section 6.2.2 *CONT (Control Register)*.
- The TCC/WDT circuit diagram is shown in Fig. 9 below.
- Both TCC and pre-scaler are cleared by instructions.
- The pre-scaler will be cleared by the WDTC and SLEP instructions when running in WDT mode.
- However, pre-scaler will not be cleared by SLEP instruction when running in TCC mode.

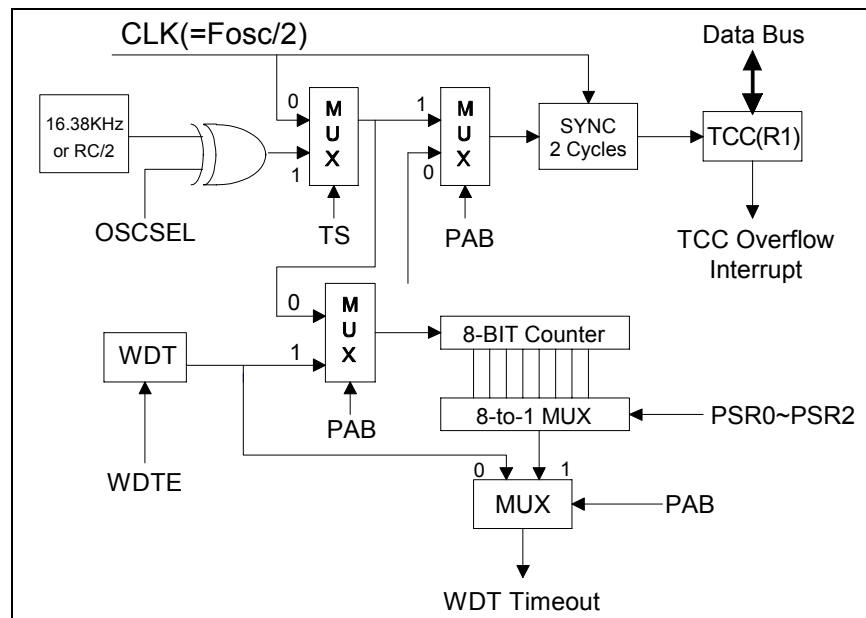


Fig. 9 TCC WDT Block Diagram

6.4 I/O Ports

The I/O registers, (Port 5, Port 6, Port 7, Port 8, and Port 9), are bi-directional tri-state I/O ports. Port 7 can be pulled-high internally by software. Furthermore, P7.6 and P7.7 has its open-drain output also defined through software. Port 9 features an input status changed wake-up function. Each I/O pin can be defined as "input" or "output" pin by the I/O control register (IOC5 ~ IOC9). The I/O registers and I/O control registers are both readable and writable. The I/O interface circuits are shown in Fig. 10 below.

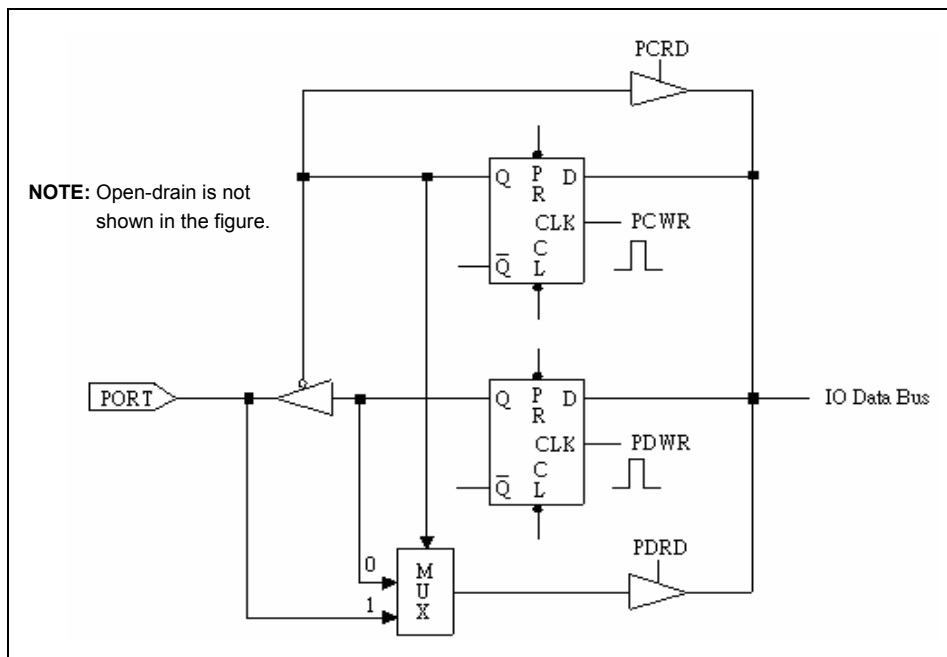


Fig. 10 Port 5, Port 6, Port 7, & Port 8 I/O Port and I/O Control Register Circuit

6.5 RESET and Wake-up

RESET will occur during any of the following conditions:

- Power on reset
- WDT timeout (if WDT is enabled during SLEEP, GREEN, or NORMAL mode)
- Port 9 wake-up (if WUP9H or WUP9L is enabled during SLEEP mode)
- RESET pin pull low

Once a RESET occurs, the following functions are performed:

- The oscillator will continue running
- The Program Counter (R2) is set to all "0"
- All I/O port pins are configured to input mode (high-impedance state)
- The TCC/Watchdog timer and pre-scaler are cleared
- The Watchdog timer is disabled
- When power is switched on, the upper 3 bits of R3 and the upper 2 bits of R4 are cleared
- The bits of the CONT register are set to all "1"



■ For other registers (Bit7 & Bit 0), refer below:

R5 = PORT	IOC5 = "11110000"	
R6 = PORT	IOC6 = "11111111"	
R7 = PORT	IOC7 = "11111111"	
R8 = PORT	IOC8 = "11111111"	
R9 = PORT	IOC9 = "11111111"	
RA = "x00x0xxx"	IOCA = "00000000"	
RB = "11111111"	Page0 IOCB = "00000000"	Page1 IOCB = "00000000"
RC = "00000000"	Page0 IOCC = "0xxxxxxx"	Page1 IOCC = "00000000"
RD = "xxxxxxx"	Page0 IOCD = "00000000"	Page1 IOCD = "00000000"
RE = "00000000"	Page0 IOCE = "00000000"	Page1 IOCE = "00000000"
RF = "00000000"	IOCF = "00000000"	

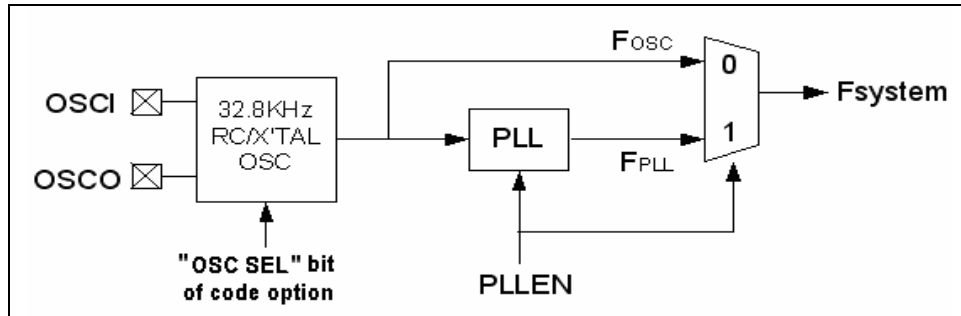
The controller can be awakened from Sleep mode and Idle mode. The wake-up signals are listed below.

Wake-Up Signal	Sleep Mode RA(7,6)=(0,0) + SLEP	Idle Mode RA(7,6)=(1,0) + SLEP	Green Mode RA(7,6)=(x,0) No SLEP	Normal Mode RA(7,6)=(x,1) No SLEP
TCC time out IOCF Bit0=1	X	Wake-up + Interrupt + Next instruction	Interrupt	Interrupt
INT0 pin IOCF Bit1=1	X	Wake-up + Interrupt + Next instruction	Interrupt	Interrupt
INT1 pin IOCF Bit2=1	X	Wake-up + Interrupt + Next instruction	Interrupt	Interrupt
INT2 pin IOCF Bit3=1	X	Wake-up + Interrupt + Next instruction	Interrupt	Interrupt
INT3 pin IOCF Bit7=1	X	Wake-up + Interrupt + Next instruction	Interrupt	Interrupt
Port9 (input status change wake-up)	RESET	Wake-up + Next instruction	X	X
WDT time out	RESET	Wake-up+ next instruction	RESET	RESET

X=No function

6.6 Oscillator

The oscillator system is used to generate the device clock. The oscillator system is composed of an RC or crystal oscillator and a PLL oscillator as shown in the diagram below.



NOTE: Under RC oscillator mode, the pull-up resistor that connects to OSCI pin and OSC0 pin should be floating.

Under 32768Hz crystal oscillator mode, the crystal is connected between OSCI pin and OSC0 pin. A 20~30pF capacitor should be connected between each of the pins and ground.

In Crystal mode, if the RA (Bit 6)=1, the system clock frequency can be tuned to 3.579MHz. The initial value of OSCSEL bit is fixed at '1' (crystal oscillator).

Fig. 11 Oscillator and PLL Function Block.

6.7 Interrupt

The EM78862B IC has two types internal interrupts which are falling edge triggered:

- TCC timer overflow interrupt (internal)
- Two 8-bit counters overflow interrupt

If these interrupt sources change signal from high to low, the RF register will generate '1' flag to corresponding register if IOCF register is enabled.

RF is the interrupt status register which records the interrupt request in flag bit. IOCF is the interrupt mask register. Global interrupt is enabled by ENI instruction and is disabled by DISI instruction. When one of the interrupts (when enabled) is generated, it will cause the next instruction to be fetched from address 008H. Once in the interrupt service routine, the source of the interrupt can be determined by polling the flag bits in the RF register.

NOTE

The interrupt flag bit must be cleared in software before leaving the interrupt service routine in order to prevent and avoid recursive interrupts.

There are four external interrupt pins, i.e., INT0, INT1, INT2, & INT3, and three internal interrupts available:

- External interrupt signals (INT0, INT1, INT2, and INT3) are from Port 7 Bit 0 to Bit 3. If IOCF is enabled, then these signals will activate interrupt. Otherwise, these signals will be treated as general input data.
- Internal signals include TCC, CNT1, and CNT2.

After reset, the next instruction will be fetched from Address 000H and the hardware interrupt is 008H.

After timeout, TCC will go to Address 008H when in GREEN mode or NORMAL mode. When in SLEEP mode, TCC will run the next instruction after "SLEP" instruction. These two conditions will set a RF flag.

NOTE

It is very important to save ACC, R3 and R5 when processing an interruption as illustrated below:

Address	Instruction	Remarks
0x08	DISI	; Disable interrupt
0x09	MOV A_BUFFER, A	; Save ACC
0x0A	SWAP A_BUFFER	
0x0B	SWAPA 0x03	; Save R3 status
0x0C	MOV R3_BUFFER, A	
0x0D	MOV A, 0x05	; Save ROM page register
0x0E	MOV R5_BUFFER, A	
:	:	
:	:	
:	MOV A, R5_BUFFER	; Return R5
:	MOV 0X05,A	
:	SWAPA R3_BUFFER	; Return R3
:	MOV 0X03,A	
:	SWAPA A_BUFFER	; Return ACC
:	RETI	

6.8 LCD Driver

The data bank IC can drive LCD directly and has 60 segments and 9 commons that can drive a total of 60*9 dots. LCD block is made up of LCD driver; display RAM, segment output pins, common output pins, and LCD operating power supply pins.

Duty, bias, the number of segment, the number of common and frame frequency are determined by LCD mode register and LCD control register.

The basic structure contains a timing control which uses the basic frequency 32.768KHz or RC to generate the proper timing for different duty and display access. RE register is a command register for LCD driver. The LCD display (disable, enable, & blanking) is controlled by LCD_C and the driving duty and bias is decided by LCD_M. The display data is stored in data RAM which address and data access are controlled by registers IOCB and IOCC.

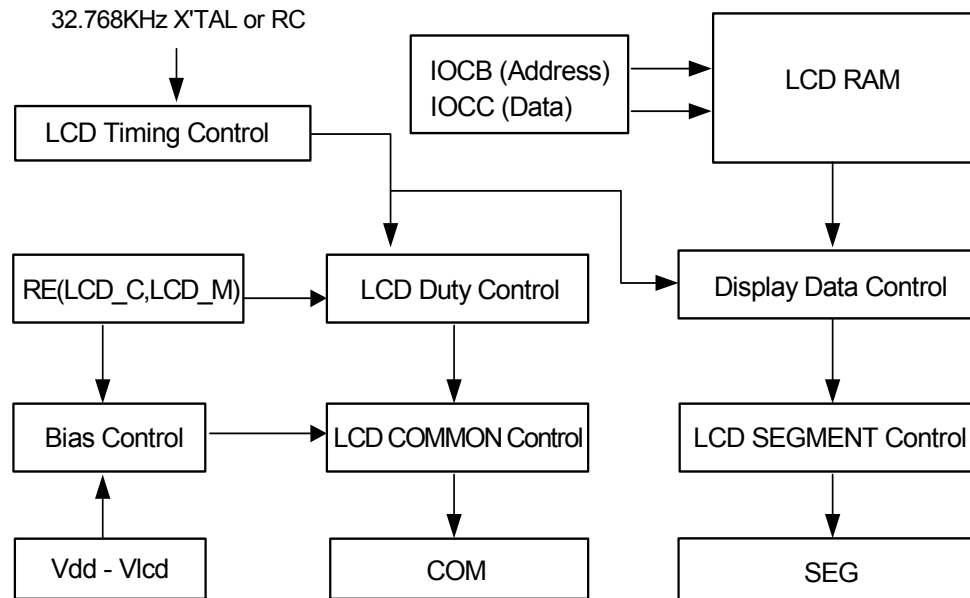


Fig. 12 LCD Driver Control Block

6.8.1 LCD Driver Control

6.8.1.1 LCD Driver, WDT Control (RE)

Bit 7	Bit 6	Bit 5	Bit 4	Bit 3	Bit 2	Bit 1	Bit 0
0	/WDTE	/WUP9H	/WUP9L	0	LCD_C2	LCD_C1	LCD_M

Bit 0: (LCD_M) LCD_M decides the methods, including duty.

Bit 1 ~ 2: (LCD_C#) decides the LCD display enable or blanking.

LCD_C2	LCD_C1	LCD_M	LCD Display Control	Duty	Bias
0	0	0	Change duty	1/9	1/4
0	0	1	Disable (turn off LCD)	1/8	1/4
0	1	0	Blanking	1/9	1/4
0	1	1	Blanking	1/8	1/4
1	0	0	X	1/9	1/4
1	0	1	X	1/8	1/4
1	1	0	LCD display enable	1/9	1/4
1	1	1	LCD display enable	1/8	1/4

6.8.2 LCD Display Area

The LCD display data is stored in the data RAM. The relation between data area and COM/SEG pin is as shown below.

SEGMENT	IOCC (COM7 ~ COM0)	IOCB (Address)	Remarks
SEG 0		00H	1/8 DUTY
SEG 1		01H	
:			
:			
SEG 58		3AH	
SEG 59		3BH	
Unused		3CH	
Unused		:	
Unused		3FH	
SEGMENT	IOCC (COM 8)	IOCB (Address)	Remarks
SEG 0		40H	1/9 DUTY
SEG 1		41H	
:			
:			
SEG 58		7AH	
SEG 59		7BH	
Unused	X	7CH	
:	:	:	
Unused	X	7FH	

6.8.2.1 IOCB (LCD RAM Display Address)

Bit 7	Bit 6	Bit 5	Bit 4	Bit 3	Bit 2	Bit 1	Bit 0
0	LCDA6	LCDA5	LCDA4	LCDA3	LCDA2	LCDA1	LCDA0

Bit 0 ~ 6: (LCDA0~LCDA6) LCD address (up to 120)

Bit 7: Unused. Fixed at '0'

NOTE
Write only when LCD is enabled. Read/Write when disabled.

6.8.2.2 IOCC (LCD RAM Display Data)

Bit 7	Bit 6	Bit 5	Bit 4	Bit 3	Bit 2	Bit 1	Bit 0
LCDD7	LCDD6	LCDD5	LCDD4	LCDD3	LCDD2	LCDD1	LCDD0

Bit 0 ~7: (LCDD0~LCDD7) LCD RAM display data register

6.8.3 LCD COM and SEG Signal

COM Signal: The number of COM pins varies according to the duty cycle in use as shown in the following table. In 1/8 Duty mode, COM8 must be opened. In 1/9 Duty mode, COM0 ~ COM8 pins must be used.

Duty	COM0	COM1	COM2	COM3	COM4	COM5	COM6	COM7	COM8
1/8	O	O	O	O	O	O	O	O	X
1/9	O	O	O	O	O	O	O	O	O

X = open, O = select

SEG Signal: The 60 segment signal pins are connected to the corresponding display RAM address 00h to 3Bh. When Duty mode is at 1/8, the required data address are only those from Com0 ~ Com7 (located within 00h ~ 3Bh). However, when Duty mode is at 1/9, all data address from Com0 ~ Com7 (located within 00h ~ 3Bh) and Com8 (located within 40h ~ 7Bh) are needed.

When a bit of display RAM is 1, a select signal is sent to the corresponding segment pin, and when the bit is 0, a non-select signal is sent to the corresponding segment pin.

COM, SEG, and Select/Non-Select signals are illustrated below.

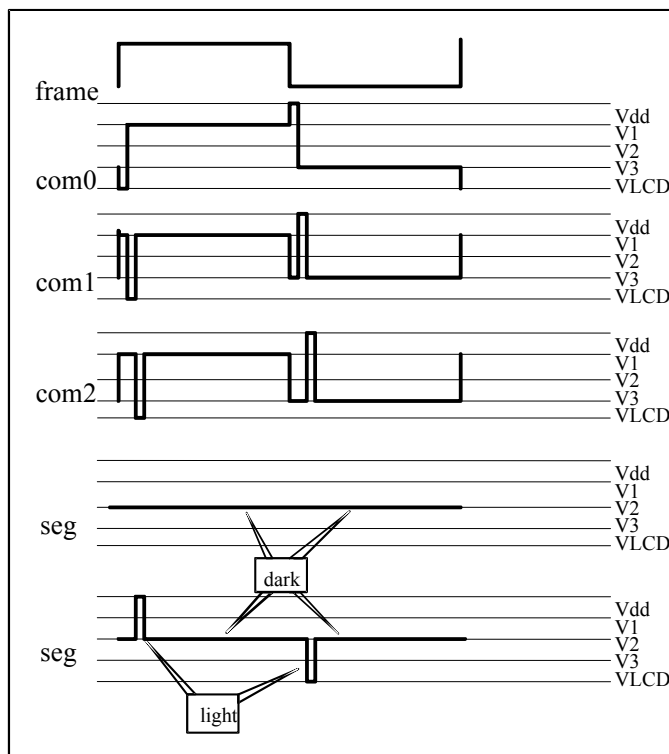


Fig.13 LCD Waveform 1/4 Bias

6.8.4 LCD Bias Control

6.8.4.1 IOCE (Bias Control Register)

Bit 7	Bit 6	Bit 5	Bit 4	Bit 3	Bit 2	Bit 1	Bit 0
P9SH	P9SL	P6S	BIAS3	BIAS2	BIAS1	0	SC

Bit 2 ~ 4: (BIAS1~BIAS3) Control bits used to choose LCD operation voltage. See Fig. 14 below for the applicable circuit.

LCD Operating Voltage	LCD Vop (VDD=5V)	Ratio
000	3.0V	0.60 VDD
001	3.3V	0.66 VDD
010	3.7V	0.74 VDD
011	4.0V	0.82 VDD
100	4.4V	0.87 VDD
101	4.7V	0.93 VDD
110	4.8V	0.96 VDD
111	5.0V	1.00 VDD

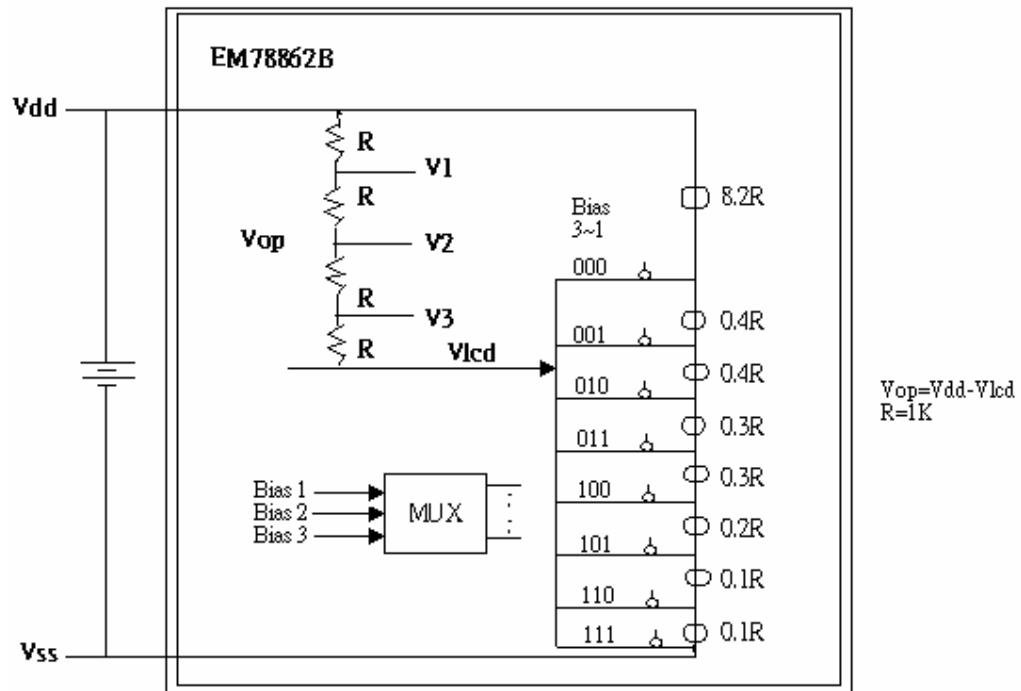


Fig. 14 LCD Bias Circuit



6.9 Code Options

The EM78862B IC is equipped with one CODE option register that is not a part of the normal program memory. The option bits cannot be accessed during normal program execution.

Bit 11	Bit 10	Bit 9	Bit 8	Bit 7	Bit 6	Bit 5	Bit 4	Bit 3	Bit 2	Bit 1	Bit 0
OSCSEL	1	0	0	1	1	1	0	0	0	MCLK	1

Bit 0, 5, 6, 7, & 10: Reserved. Set these bits to "1"

Bit 2, 3, 4, 8, & 9: Reserved. Clear these bits to "0"

Bit 1: (MCLK) Main Clock select

0: 3.579MHz

1: 1.7895MHz

Bit 11: (OSCSEL) Oscillator select

0: RC mode

1: Crystal mode

The RC or crystal oscillator is selected by OSCSEL bit of code option.

6.10 Instruction Set

Each instruction in the instruction set is a 13-bit word divided into an OP code and one or more operands. Normally, all instructions are executed within one single instruction cycle (one instruction consists of 2 oscillator periods). Unless the program counter is changed by instructions "MOV R2, A," "ADD R2, A," or by instructions of arithmetic or logic operation on R2 (e.g., "SUB R2, A," "BS(C) R2, 6," "CLR R2," etc.). Under this condition, the execution takes two instruction cycles.

If for some reasons, the specification of the instruction cycle is not suitable for certain applications, try modifying the instruction as follows:

- a) Change one instruction cycle to consist of 4 oscillator periods.
- b) Execute within two instruction cycles, "JMP," "CALL," "RET," "RETL," & "RETI," or the conditional skip ("JBS," "JBC," "JZ," "JZA," "DJZ," & "DJZA") instructions which were tested to be true. Also execute within two instruction cycles the instructions that are written to the program counter.

Furthermore, the instruction set has the following features:

- Every bit of any register can be set, cleared, or tested directly.
- The I/O register can be regarded as general register. That is, the same instruction can operate on I/O register.

The symbol "R" in the instruction set represents a register designator that specifies which one of the registers (including operational registers and general purpose registers) is to be utilized by the instruction. "B" represents a bit field designator that selects the value for the bit, which is located in the register "R", and affects operation. "K" represents an 8 or 10-bit constant or literal value.



INSTRUCTION BINARY	HEX	MNEMONIC	OPERATION	STATUS AFFECTED
0 0000 0000 0000	0000	NOP	No Operation	None
0 0000 0000 0001	0001	DAA	Decimal Adjust A	C
0 0000 0000 0010	0002	CONTW	A → CONT	None
0 0000 0000 0011	0003	SLEP	0 → WDT, Stop oscillator	T, P
0 0000 0000 0100	0004	WDTC	0 → WDT	T, P
0 0000 0000 rrrr	000r	IOW R	A → IOCR	None ¹
0 0000 0001 0000	0010	ENI	Enable Interrupt	None
0 0000 0001 0001	0011	DISI	Disable Interrupt	None
0 0000 0001 0010	0012	RET	[Top of Stack] → PC	None
0 0000 0001 0011	0013	RETI	[Top of Stack] → PC, Enable Interrupt	None
0 0000 0001 0100	0014	CONTR	CONT → A	None
0 0000 0001 rrrr	001r	IOR R	IOCR → A	None ¹
0 0000 0010 0000	0020	TBL	R2+A → R2, Bits 8~9 of R2 unchanged	Z, C, DC
0 0000 01rr rrrr	00rr	MOV R,A	A → R	None
0 0000 1000 0000	0080	CLRA	0 → A	Z
0 0000 11rr rrrr	00rr	CLR R	0 → R	Z
0 0001 00rr rrrr	01rr	SUB A,R	R-A → A	Z, C, DC
0 0001 01rr rrrr	01rr	SUB R,A	R-A → R	Z, C, DC
0 0001 10rr rrrr	01rr	DECA R	R-1 → A	Z
0 0001 11rr rrrr	01rr	DEC R	R-1 → R	Z
0 0010 00rr rrrr	02rr	OR A,R	A ∨ R → A	Z
0 0010 01rr rrrr	02rr	OR R,A	A ∨ R → R	Z
0 0010 10rr rrrr	02rr	AND A,R	A & R → A	Z
0 0010 11rr rrrr	02rr	AND R,A	A & R → R	Z
0 0011 00rr rrrr	03rr	XOR A,R	A ⊕ R → A	Z
0 0011 01rr rrrr	03rr	XOR R,A	A ⊕ R → R	Z
0 0011 10rr rrrr	03rr	ADD A,R	A + R → A	Z, C, DC
0 0011 11rr rrrr	03rr	ADD R,A	A + R → R	Z, C, DC
0 0100 00rr rrrr	04rr	MOV A,R	R → A	Z
0 0100 01rr rrrr	04rr	MOV R,R	R → R ²	Z
0 0100 10rr rrrr	04rr	COMA R	/R → A	Z
0 0100 11rr rrrr	04rr	COM R	/R (R	Z
0 0101 00rr rrrr	05rr	INCA R	R+1 (A	Z
0 0101 01rr rrrr	05rr	INC R	R+1 (R	Z
0 0101 10rr rrrr	05rr	DJZA R	R-1 (A, skip if zero	None
0 0101 11rr rrrr	05rr	DJZ R	R-1 (R, skip if zero	None
0 0110 00rr rrrr	06rr	RRCA R	R(n) (A(n-1), R(0) (C, C (A(7)	C

¹ This instruction is applicable to IOC5 ~ IOC9, IOCA, IOCB, IOCC, IOCD, IOCE, & IOCF only.

² Source and destination must be the same.



INSTRUCTION BINARY	HEX	MNEMONIC	OPERATION	STATUS AFFECTED
0 0110 01rr rrrr	06rr	RRC R	R(n) (R(n-1), R(0) (C, C (R(7)	C
0 0110 10rr rrrr	06rr	RLCA R	R(n) (A(n+1), R(7) (C, C (A(0)	C
0 0110 11rr rrrr	06rr	RLC R	R(n) (R(n+1), R(7) (C, C (R(0)	C
0 0111 00rr rrrr	07rr	SWAPA R	R(0-3) (A(4-7), R(4-7) (A(0-3)	None
0 0111 01rr rrrr	07rr	SWAP R	R(0-3) (R(4-7)	None
0 0111 10rr rrrr	07rr	JZA R	R+1 (A, skip if zero	None
0 0111 11rr rrrr	07rr	JZ R	R+1 (R, skip if zero	None
0 100b bbrr rrrr	0xxx	BC R,b	0 (R(b)	None ³
0 101b bbrr rrrr	0xxx	BS R,b	1 (R(b)	None ⁴
0 110b bbrr rrrr	0xxx	JBC R,b	if R(b)=0, skip	None
0 111b bbrr rrrr	0xxx	JBS R,b	if R(b)=1, skip	None
1 00kk kkkk kkkk	1kkk	CALL k	PC+1 ([SP], (Page, k) (PC	None
1 01kk kkkk kkkk	1kkk	JMP k	(Page, k) (PC	None
1 1000 kkkk kkkk	18kk	MOV A,k	k (A	None
1 1001 kkkk kkkk	19kk	OR A,k	A (k (A	Z
1 1010 kkkk kkkk	1Akk	AND A,k	A & k (A	Z
1 1011 kkkk kkkk	1Bkk	XOR A,k	A (k (A	Z
1 1100 kkkk kkkk	1Ckk	RETL k	k (A, [Top of Stack] (PC	None
1 1101 kkkk kkkk	1Dkk	SUB A,k	k-A (A	Z, C, DC
1 1110 0000 0010	1E02	INT	PC+ 1 [SP], 001H (PC	None
1 1110 1000 kkkk	1E8k	PAGE k	k->R5(3:0)	None
1 1111 kkkk kkkk	1Fkk	ADD A,k	k+A (A	Z, C, DC

³ This instruction is not recommended for RF operation.

⁴ This instruction cannot operate under RF.

7 Absolute Maximum Ratings

RATING	SYMBOL	VALUE	UNIT
DC Supply Voltage	V _{dd}	-0.3 to 6	V
Input Voltage	V _{in}	-0.5 to V _{dd} +0.5	V
Operating Temperature Range	T _a	-40 to 85	°C

8 DC Electrical Characteristics

($T_a=0^{\circ}\text{C} \sim 70^{\circ}\text{C}$, $V_{DD}=5\text{V}\pm 5\%$, $V_{SS}=0\text{V}$)

Symbol	Parameter	Condition	Min	Type	Max	Unit
IIL1	Input Leakage Current for input pins	$V_{IN} = V_{DD}, V_{SS}$	-	-	± 1	μA
IIL2	Input Leakage Current for bi-directional pins	$V_{IN} = V_{DD}, V_{SS}$	-	-	± 1	μA
VIH	Input High Voltage	-	0.8VDD	-	VDD	V
VIL	Input Low Voltage	-	VSS	-	0.2VDD	V
VIHT	Input High Threshold Voltage	RESET	2.0	-	-	V
VILT	Input Low Threshold Voltage	RESET	-	-	0.8	V
VIHX	Clock Input High Voltage	OSCI	3.5	-	-	V
VILX	Clock Input Low Voltage	OSCI	-	-	1.5	V
VHscan	Key scan Input High Voltage	Port 6 for key scan	3.5	-	-	V
VLscan	Key scan Input Low Voltage	Port 6 for key scan	-	-	1.5	V
VOH1	Output High Voltage (Port 6, 7, 8)	$I_{OH} = -1.6\text{mA}$	0.8VDD	-	VDD	V
	(Port 9)	$I_{OH} = -6.0\text{mA}$	0.8VDD	-	VDD	V
VOL1	Output Low Voltage (Port6, 7, 8)	$I_{OL} = 1.6\text{mA}$	VSS	-	0.2VDD	V
	(Port 9)	$I_{OL} = 6.0\text{mA}$	VSS	-	0.2VDD	V
Vcom	Com voltage drop	$I_o = \pm 50 \mu\text{A}$			2.9	V
Vseg	Segment voltage drop	$I_o = \pm 50 \mu\text{A}$			3.8	V
Vlcd	LCD drive reference voltage	Contrast adjustment	0.6VDD	-	VDD	V
IPH	Pull-high current	Pull-high active input pin at VSS	-	-10	-15	μA
ISB1	Power down current (SLEEP mode)	All input and I/O pin at VDD, output pin floating, WDT disabled	-	1	4	μA
ISB2	Power down current (IDLE mode)	All input and I/O pin at VDD, output pin floating, WDT disabled, LCD enabled	-	50	70	μA
ISB3	Low clock current (GREEN mode)	CLK=32.768KHz, all input and I/O pin at VDD, output pin floating, WDT disabled, LCD enabled	-	80	100	μA
ICC	Operating supply current (NORMAL mode)	RESET=High, CLK=3.579MHz, output pin floating, LCD enabled	-	1.5	1.9	mA

(Ta=0°C ~ 70°C, VDD=3V±5%, VSS=0V)

Symbol	Parameter	Condition	Min	Type	Max	Unit
ISB1	Power down current (SLEEP mode)	All input and I/O pin at VDD, output pin floating, WDT disabled		1	2	μA
ISB2	Power down current (IDLE mode)	All input and I/O pin at VDD, output pin floating, WDT disabled, LCD enabled		25	35	μA
ISB3	Low clock current (GREEN mode)	CLK=32.768KHz, all input and I/O pin at VDD, output pin floating, WDT disabled, LCD enabled		35	45	μA
ICC	Operating supply current (NORMAL mode)	RESET=High, CLK=3.579MHz, output pin floating, LCD enable		0.9	1.2	mA

9 AC Electrical Characteristics

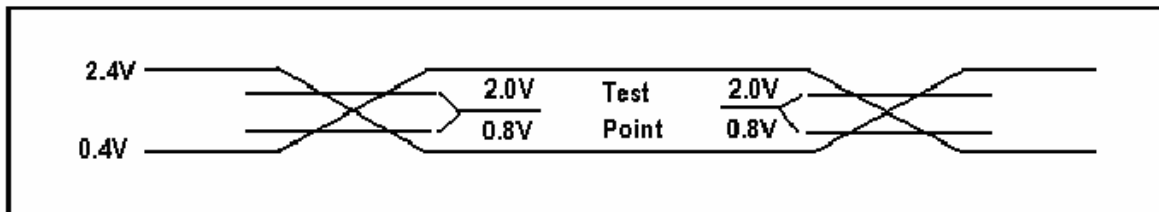
(Ta=0°C ~ 70°C, VDD=5V, VSS=0V)

Symbol	Parameter	Conditions	Min	Type	Max	Unit
Dclk	Input CLK duty cycle		45	50	55	%
Tins	Instruction cycle time	32.768K 3.579M	-	60 550	-	μs ns
Tdrh	Device delay hold time		-	18	-	ms
Twdt	Watchdog timer period	Ta = 25°C		18		ms

Description	Symbol	Min	Type	Max	Unit
OSC start up (32.768KHz) (3.579MHz PLL)	Tosc	--		400 10	ms

10 Timing Diagram

AC test Input / Output Port Waveform



AC Testing : Input are driven at 2.4V for logic "1" , and 0.4V for logic "0".

Timing measurements are made at 2.0V for logic "1" , and 0.8V for logic "0".

Reset Timing

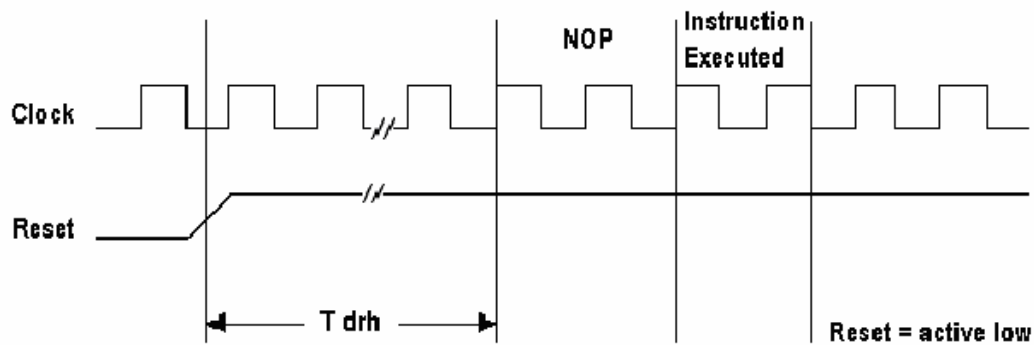


Fig. 15 AC Timing

11 Application Circuit

11.1 Application with Crystal Mode

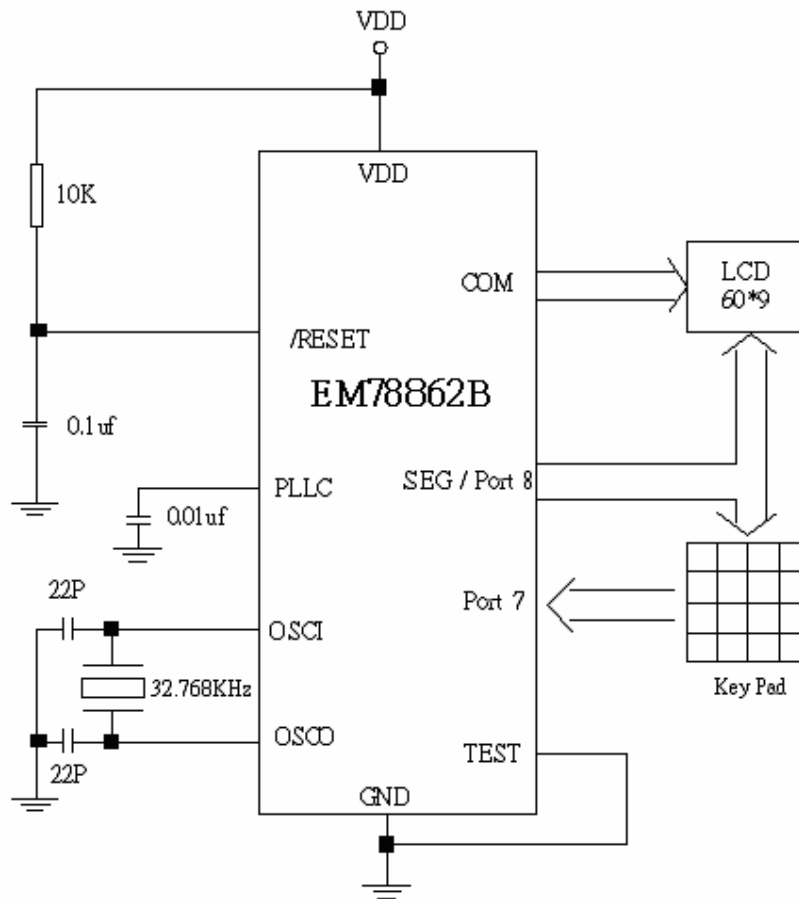


Fig. 16. Application with Crystal Mode

11.2 Application with RC Mode

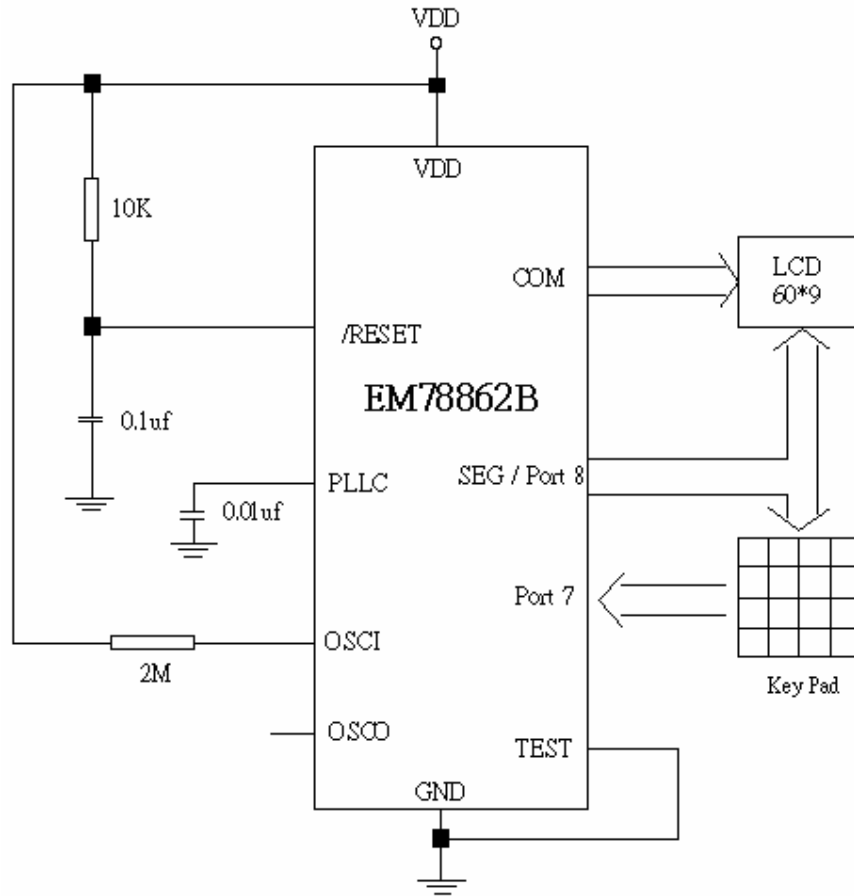


Fig. 17. Application with RC Mode

