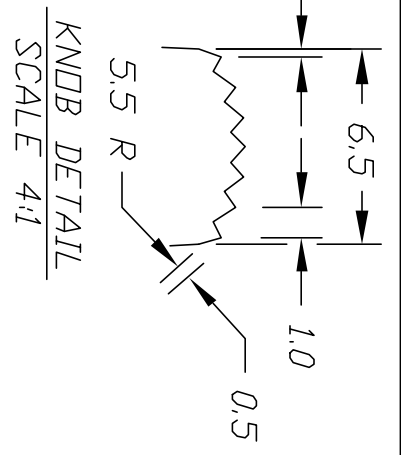
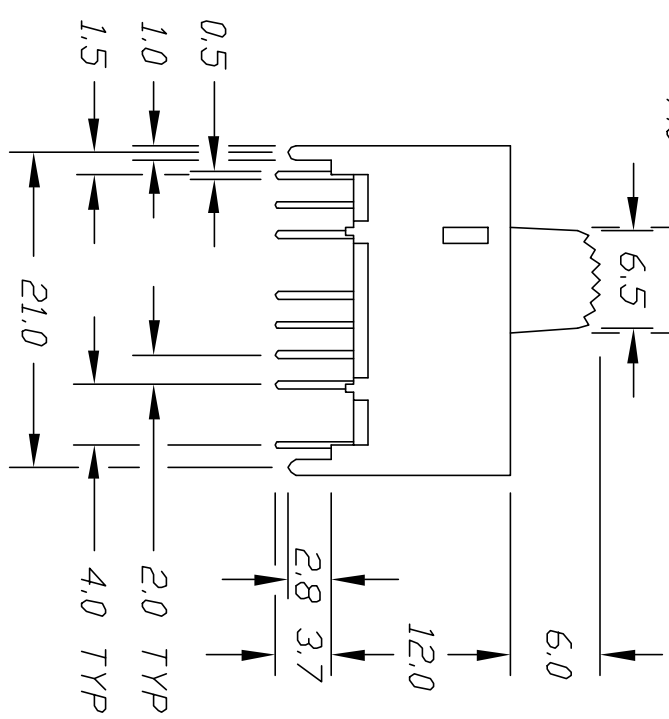
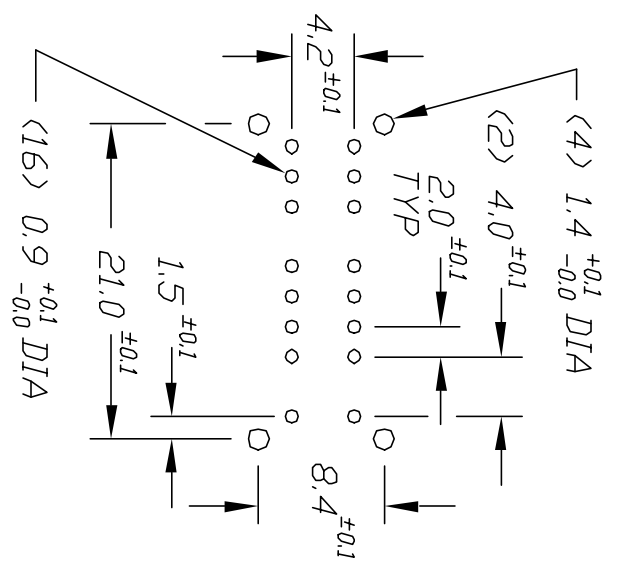
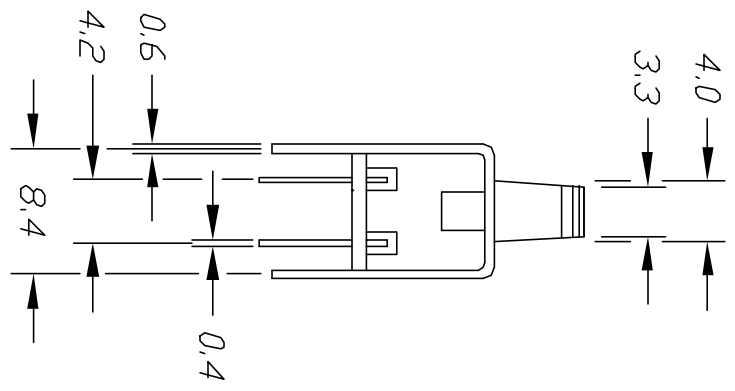


ABC

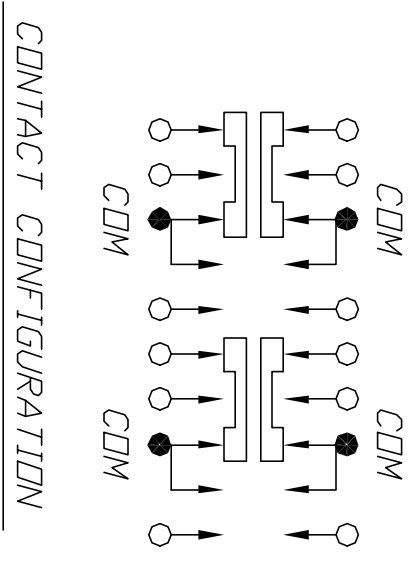
2.0 TRAVEL



KNOB DETAIL
SCALE 4:1



P.C.B. MOUNTING HOLES



CONTACT CONFIGURATION

NOTES:

1. ALL DIMENSIONS IN MM
2. TERM. NDS, FOR REF ONLY

REV.	DESCRIPTION	DATE	CHKD	TOLERANCES	TITLE	SCALE	DATE	DR	DWG
				0.0 ±0.4	E-SWITCH EG 4302	2:1	10/18/94	MS	P143020
				0.00 ±0.25					

THE INFORMATION CONTAINED IN THIS DOCUMENT IS PROPRIETARY TO E-SWITCH AND IS NOT TO BE COPIED OR TRANSFERRED