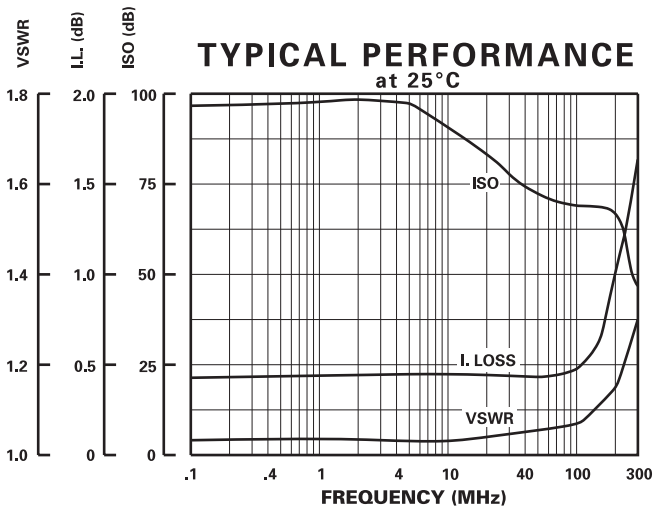
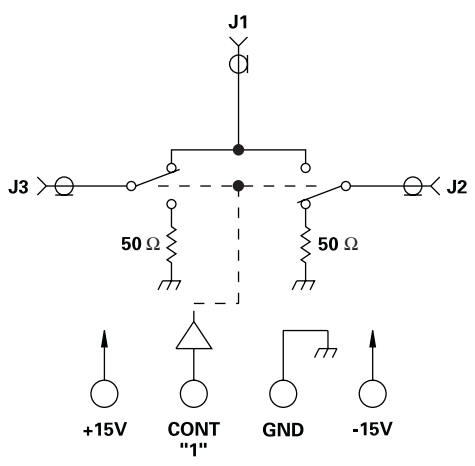
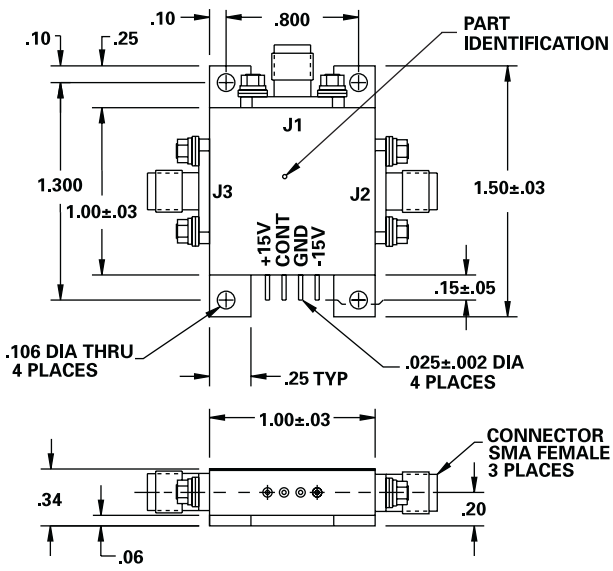


**MODEL NUMBER
DSW26189**

GaAs SP2T

- FEATURES**
- 0.1 - 150 MHz
 - High Intercept Points
 - 2.5 mA, +15 VDC
 - 60 dB Isolation

SP2T



LOGIC TABLE	
"0"	J1 To J2
"1"	J1 To J3

GUARANTEED PERFORMANCE

Parameter	Min	Typ	Max	Units	Conditions	
Operating Frequency	0.1		150	MHz		
DC Current		2.5	10	mA	At +15 VDC Supply	
		1.5	10	mA	At -15 VDC Supply	
Control Type		TTL			See Logic Chart	
Control Current		High	±100	µA	V _{IH} = +2.7V	
		Low	1.0	±100	µA	V _{IL} = +0.5V
Insertion Loss		0.6	1.0	dB		
Isolation	60	64		dB		
VSWR		Thru	1.10/1	1.5/1		
		Termination	1.08/1	1.5/1		
Impedance		50		OHMS		
Switching Speed		0.15	5	µSEC	50% TTL to 90% / 10% RF	
Transition (Rise/Fall) Time		0.02		µSEC	10% / 90% or 90% / 10% RF	
Switching (Video) Transients		+81		dBm	In 3 KHz BW at 1KHz PRF	
Intercept Points		2nd	+81	dBm		
		3rd	+36	dBm		
RF Power		Operate	+22	+18	dBm	1.0 dB Compression
		No Damage		+30	dBm	
Operating Temperature	-55	+25	+125	°C	TA	