

DS80C410/DS80C411 Network Microcontrollers with Ethernet and CAN

www.maxim-ic.com

GENERAL DESCRIPTION

The DS80C410/DS80C411 network microcontrollers offer the highest integration available in an 8051 device. Peripherals include a 10/100 Ethernet MAC, three serial ports, an optional CAN 2.0B controller, 1-Wire® Master, and 64 I/O pins. The DS80C410 and DS80C411 also include 64kBytes internal SRAM for user application storage and network stack.

To enable access to the network, a full application-accessible TCP IPv4/6 network stack and OS are provided in the ROM. The network stack supports up to 32 simultaneous TCP connections and can transfer up to 5Mbps through the Ethernet MAC. Its maximum system-clock frequency of 75MHz results in a minimum instruction cycle time of 54ns. Access to large program or data memory areas is simplified with a 24-bit addressing scheme that supports up to 16MB of contiguous memory.

To accelerate data transfers between the microcontroller and memory, the DS80C410 and DS80C411 provide four data pointers, each of which can be configured to automatically increment or decrement upon execution of certain data pointer-related instructions. High-speed shift, normalization, accumulate functions and 32-bit/16-bit multiply and divide operations are optimized by the DS80C410/DS80C411 hardware math accelerator.

The High-Speed Microcontroller User's Guide and the High-Speed Microcontroller User's Guide: Network Microcontroller Supplement should be used in conjunction with this data sheet. Download both at: www.maxim-ic.com/user_guides.

APPLICATIONS

Industrial Control/Automation	Data Converters (Serial-to-Ethernet, CAN-to-Ethernet)
Environmental Monitoring	
Network Sensors	
Vending	Remote Data-Collection Equipment
Home/Office Automation	
Transaction/Payment Terminals	

1-Wire is a registered trademark of Dallas Semiconductor Corp. Magic Packet is a registered trademark of Advanced Micro Devices, Inc.

FEATURES

- **High-Performance Architecture**
Single 8051 Instruction Cycle in 54ns
DC to 75MHz Clock Rate
Flat 16MB Address Space
Four Data Pointers with Auto-Increment/
Decrement and Select-Accelerate Data Movement
16/32-Bit Math Accelerator
- **Multitiered Networking and I/O**
10/100 Ethernet Media Access Controller (MAC)
Optional CAN 2.0B Controller
1-Wire Net Controller
Three Full-Duplex Hardware Serial Ports
Up to Eight Bidirectional 8-Bit Ports (64 Digital I/O Pins)
- **Robust ROM Firmware**
Supports Network Boot Over Ethernet Using DHCP and TFTP
Full, Application-Accessible TCP/IP Network Stack
Supports IPv4 and IPv6
Implements UDP, TCP, DHCP, ICMP, and IGMP
Preemptive, Priority-Based Task Scheduler
MAC Address can Optionally be Acquired from IEEE-Registered DS2502-E48
- **10/100 Ethernet Mac**
Flexible IEEE 802.3 MII (10/100Mbps) and ENDEC (10Mbps) Interfaces Allow Selection of PHY
Low-Power Operation
Ultra-Low-Power Sleep Mode with Magic Packet® and Wake-Up Frame Detection
8kB On-Chip Tx/Rx Packet Data Memory with Buffer Control Unit Reduces Load on CPU
Half- or Full-Duplex Operation with Flow Control
Multicast/Broadcast Address Filtering with VLAN Support

Features continued on page 34.

Pin Configuration appears at end of data sheet.

Selector Guide appears at end of data sheet.

ORDERING INFORMATION

PART	TEMP RANGE	PIN-PACKAGE
DS80C410-FNY	-40°C to +85°C	100 LQFP
DS80C410-FNY+	-40°C to +85°C	100 LQFP
DS80C411-FNY	-40°C to +85°C	100 LQFP
DS80C411-FNY+	-40°C to +85°C	100 LQFP

+ Denotes lead-free/RoHS-compliant device.

Note: Some revisions of this device may incorporate deviations from published specifications known as errata. Multiple revisions of any device may be simultaneously available through various sales channels. For information about device errata, click here: www.maxim-ic.com/errata.

ABSOLUTE MAXIMUM RATINGS

Voltage Range on Any Input Pin Relative to Ground.....	-0.5V to +5.5V
Voltage Range on Any Output Pin Relative to Ground.....	-0.5V to ($V_{CC3} + 0.5V$)
Voltage Range on V_{CC3} Relative to Ground.....	-0.5V to +3.6V
Voltage Range on V_{CC1} Relative to Ground.....	-0.3V to +2.0V
Operating Temperature Range.....	-40°C to +85°C
Junction Temperature.....	+150°C max
Storage Temperature Range.....	-55°C to +160°C
Soldering Temperature.....	See IPC/JEDEC J-STD-020 Standard

Stresses beyond those listed under “Absolute Maximum Ratings” may cause permanent damage to the device. These are stress ratings only, and functional operation of the device at these or any other conditions beyond those indicated in the operational sections of the specifications is not implied. Exposure to absolute maximum rating conditions for extended periods can affect device reliability.

DC ELECTRICAL CHARACTERISTICS

($V_{CC3} = 3.0V$ to $3.6V$, $V_{CC1} = 1.8V \pm 10\%$, $T_A = -40^\circ C$ to $+85^\circ C$.) (Note 1)

PARAMETER		SYMBOL	MIN	TYP	MAX	UNITS
VCC3	Supply Voltage (V_{CC3}) (Note 2)	V_{CC3}	3.0	3.3	3.6	V
	Power-Fail Warning (V_{CC3}) (Note 3)	V_{PFW3}	2.85	3.00	3.15	V
	Power-Fail Reset Voltage (V_{CC3}) (Note 3)	V_{RST3}	2.76	2.90	3.05	V
	Active Mode Current (V_{CC3}) (Note 4)	I_{CC3}		16	35	mA
	Idle Mode Current (V_{CC3}) (Note 4)	I_{IDLE3}		7	15	mA
	Stop Mode Current (V_{CC3}) (Not 4)	I_{STOP3}		1	10	μA
	Stop Mode Current, Bandgap Enabled (V_{CC3}) (Note 4)	I_{SPBG3}		100	150	μA
VCC1	Supply Voltage (V_{CC1}) (Note 2)	V_{CC1}	1.62	1.8	1.98	V
	Power-Fail Warning (V_{CC1}) (Note 5)	V_{PFW1}	1.52	1.60	1.68	V
	Power-Fail Reset Voltage (V_{CC1}) (Note 5)	V_{RST1}	1.47	1.55	1.63	V
	Active Mode Current (V_{CC1}) (Note 4)	I_{CC1}		30	60	mA
	Idle Mode Current (V_{CC1}) (Note 4)	I_{IDLE1}		20	50	mA
	Stop Mode Current (V_{CC1}) (Note 4)	I_{STOP1}		3	20	mA
	Stop Mode Current, Bandgap Enabled (V_{CC1}) (Note 4)	I_{SPBG1}		3	20	mA
Input Low Level	V_{IL1}			0.8	V	
Input Low Level for XTAL1, RST, OW	V_{IL2}			1.0	V	
Input High Level	V_{IH1}	2.0			V	
Input High Level for XTAL1, RST, OW	V_{IH2}	2.4			V	
Output Low Current for Port 1, 3–7 at $V_{OL} = 0.4V$	I_{OL1}	6	10		mA	
Output Low Current for Port 0, 2, TX_EN, TXD[3:0], MDC, MDIO, RSTOL, ALE, PSEN, and Ports 3–7 (when used as any of the following: A21–A0, WR, RD, CE0-7, PCE0-3) at $V_{OL} = 0.4V$ (Note 6)	I_{OL2}	12	20		mA	
Output Low Current for OW, \overline{OWSTP} at $V_{OL} = 0.4V$	I_{OL3}	10	16		mA	
Output High Current for Port 1, 3–7 at $V_{OH} = V_{CC3} - 0.4V$ (Note 7)	I_{OH1}		-75	-50	μA	
Output High Current for Port 1, 3–7 at $V_{OH} = V_{CC3} - 0.4V$ (Note 8)	I_{OH2}		-8	-4	mA	
Output High Current for Port 0, 2, TX_EN, TXD[3:0], MDC, MDIO, RSTOL, ALE, PSEN, and Ports 3–7 (when used as any of the following: A21–A0, WR, RD, CE0-7, PCE0-3) at $V_{OH} = V_{CC3} - 0.4V$ (Notes 6, 9)	I_{OH3}		-16	-8	mA	
Input Low Current for Port 1–7 at 0.4V (Note 10)	I_{IL}	-50	-20	-10	μA	
Logic 1-to-0 Transition Current for Port 1, 3–7 (Note 11)	I_{TL}	-650	-400		μA	
Input Leakage Current, Port 0 Bus Mode, $V_{IL} = 0.8V$ (Note 12)	I_{TH0}	20	50	200	μA	
Input Leakage Current, Port 0 Bus Mode, $V_{IH} = 2.0V$ (Note 12)	I_{TL0}	-200	-50	-20	μA	
Input Leakage Current, Input Mode (Note 13)	I_L	-10	0	10	μA	
RST Pulldown Resistance	R_{RST}	50	100	200	k Ω	

- Note 1:** Specifications to -40°C are guaranteed by design and not production tested.
- Note 2:** The user should note that this part is tested and guaranteed to operate down to $V_{CC3} = 3.0\text{V}$ and $V_{CC1} = 1.62\text{V}$, while the reset thresholds for those supplies, V_{RST3} and V_{RST1} respectively, may be above or below those points. When the reset threshold for a given supply is greater than the guaranteed minimum operating voltage, that reset threshold should be considered the minimum operating point since execution ceases once the part enters the reset state. When the reset threshold for a given supply is lower than the guaranteed minimum operating voltage, there exists a range of voltages for either supply, ($V_{RST3} < V_{CC3} < 1.62\text{V}$) or ($V_{RST1} < V_{CC1} < 3.0\text{V}$), where the processor's operation is not guaranteed, and the reset trip point has not been reached. This should not be an issue in most applications, but should be considered when proper operation must be maintained at all times. For these applications, it may be desirable to use a more accurate external reset.
- Note 3:** While the specifications for V_{PFW3} and V_{RST3} overlap, the design of the hardware makes it such that this is not possible. Within the ranges given, there is a guaranteed separation between these two voltages.
- Note 4:** Current measured with 75MHz clock source on XTAL1, $V_{CC3} = 3.6\text{V}$, $V_{CC1} = 2.0\text{V}$, $\overline{\text{EA}}$ and RST = 0V, Port0 = V_{CC3} , all other pins disconnected.
- Note 5:** While the specifications for V_{PFW1} and V_{RST1} overlap, the design of the hardware makes it such that this is not possible. Within the ranges given, there will be a guaranteed separation between these two voltages.
- Note 6:** Certain pins exhibit stronger drive capability when being used to address external memory. These pins and associated memory interface function (in parentheses) are as follows: Port 3.6-3.7 ($\overline{\text{WR}}$, $\overline{\text{RD}}$), Port 4 ($\overline{\text{CE0-3}}$, A16-A19), Port 5.4-5.7 ($\overline{\text{PCE0-3}}$), Port 6.0-6.5 ($\overline{\text{CE4-7}}$, A20, A21), Port 7 (demultiplexed mode A0-A7).
- Note 7:** This measurement reflects the weak I/O pullup state that persists following the momentary strong 0 to 1 port pin drive (V_{OH2}). This I/O pin state can be achieved by applying RST = V_{CC3} .
- Note 8:** The measurement reflects the momentary strong port pin drive during a 0-to-1 transition in I/O mode. During this period, a one shot circuit drives the ports hard for two clock cycles. A weak pullup device (V_{OH1}) remains in effect following the strong two-clock cycle drive. If a port 4 or 6 pin is functioning in memory mode with pin state of 0 and the SFR bit contains a 1, changing the pin to an I/O mode (by writing to P4CNT, for example) does not enable the two-cycle strong pullup.
- Note 9:** Port 3 pins 3.6 ($\overline{\text{WR}}$) and 3.7 ($\overline{\text{RD}}$) have a stronger than normal pullup drive for only one system clock period following the transition of either $\overline{\text{WR}}$ or $\overline{\text{RD}}$ from a 0 to a 1.
- Note 10:** This is the current required from an external circuit to hold a logic low level on an I/O pin while the corresponding port latch bit is set to 1. This is only the current required to *hold* the low level; transitions from 1 to 0 on an I/O pin also have to overcome the transition current.
- Note 11:** Following the 0 to 1 one-shot timeout, ports in I/O mode source transition current when being pulled down externally. It reaches a maximum at approximately 2V.
- Note 12:** During external addressing mode, weak latches are used to maintain the previously driven state on the pin until such time that the Port 0 pin is driven by an external memory source.
- Note 13:** The OW pin (when configured to output a 1) at $V_{IN} = 5.5\text{V}$, $\overline{\text{EA}}$, $\overline{\text{MUX}}$, and all MII inputs (TXCLK, RXCLK, RX_DV, RX_ER, RXD[3:0], CRS, COL, MDIO) at $V_{IN} = 3.6\text{V}$.

AC ELECTRICAL CHARACTERISTICS (MULTIPLEXED ADDRESS/DATA BUS)(V_{CC3} = 3.0V to 3.6V, V_{CC1} = 1.8V ±10%, T_A = -40°C to +85°C.) (Note 1)

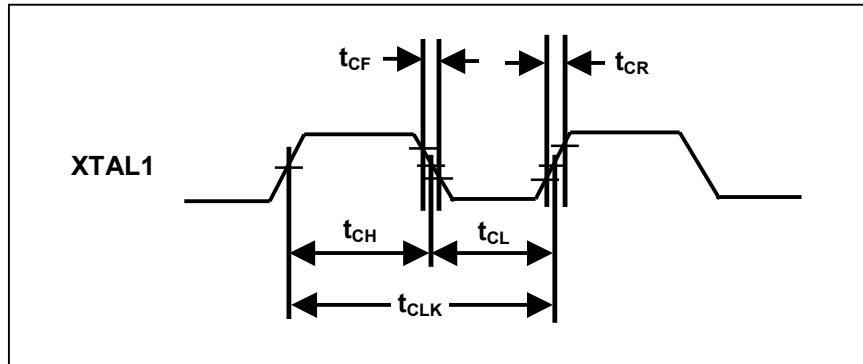
PARAMETER	SYMBOL	75MHz		VARIABLE CLOCK		UNITS
		MIN	MAX	MIN	MAX	
External Crystal Frequency	1 / t _{CLK}			4	40	MHz
Clock Multiplier 2X Mode				16	37.5	
Clock Multiplier 4X Mode				11	18.75	
External Clock Oscillator Frequency	1 / t _{CLK}			DC	75	MHz
Clock Multiplier 2X Mode				16	37.5	
Clock Multiplier 4X Mode				11	18.75	
ALE Pulse Width	t _{LHLL}	15.0		t _{CLCL} + t _{CHCL} - 5		ns
Port 0 Instruction Address Valid to ALE Low	t _{AVLL}	1.7		t _{CHCL} - 5		ns
Address Hold After ALE Low	t _{LLAX}	4.7		t _{CLCH} - 2		ns
ALE Low to Valid Instruction In	t _{LLIV}		14.3		2t _{CLCL} + t _{CLCH} - 19	ns
ALE Low to $\overline{\text{PSEN}}$ Low	t _{LLPL}	3.7		t _{CLCH} - 3		ns
$\overline{\text{PSEN}}$ Pulse Width	t _{PLPH}	21.7		2t _{CLCL} - 5		ns
$\overline{\text{PSEN}}$ Low to Valid Instruction In	t _{PLIV}		8.7		2t _{CLCL} - 18	ns
Input Instruction Hold After $\overline{\text{PSEN}}$	t _{PIX}	0		0		ns
Input Instruction Float After $\overline{\text{PSEN}}$	t _{PIXZ}		8.3		t _{CLCL} - 5	ns
Port 0 Address to Valid Instruction In	t _{AVIV0}		21.0		3t _{CLCL} - 19	ns
Port 2, 4, 6 Address or Port 4 CE to Valid Instruction In	t _{AVIV2}		24.7		3t _{CLCL} + t _{CLCH} - 22	ns
$\overline{\text{PSEN}}$ Low to Address Float	t _{PLAZ}		0		0	ns

- Note 1:** AC electrical characteristics assume 50% duty cycle for the oscillator, oscillator frequency ≤ 75MHz, and are not 100% production tested, but are guaranteed by design.
- Note 2:** All parameters apply to both commercial and industrial temperature operation, unless otherwise noted.
- Note 3:** t_{CLCL}, t_{CLCH}, t_{CHCL} are time periods associated with the internal system clock and are related to the external clock (t_{CLK}) as defined in the *External Clock Oscillator (XTAL1) Characteristics* table.
- Note 4:** The precalculated 75MHz MIN/MAX timing specifications assume an exact 50% duty cycle.
- Note 5:** All signals guaranteed with load capacitance of 80pF except Port 0, Port 2, $\overline{\text{ALE}}$, $\overline{\text{PSEN}}$, $\overline{\text{RD}}$, and $\overline{\text{WR}}$ with 100pF. The following signals, when configured for memory interface, are also characterized with 100pF loading: Port 4 ($\overline{\text{CE0-3}}$, A16–A19), Port 5.4–5.7 ($\overline{\text{PCE0-3}}$), Port 6.0–6.5 ($\overline{\text{CE4-7}}$, A20, A21), Port 7 (demultiplexed mode A0–A7).
- Note 6:** For high-frequency operation, special attention should be paid to the float times of the interfaced memory devices so as to avoid bus contention.
- Note 7:** References to the XTAL, XTAL1 or CLK signal in timing diagrams is to assist in determining the relative occurrence of events, not for determining absolute signal timing with respect to the external clock.

EXTERNAL CLOCK OSCILLATOR (XTAL1) CHARACTERISTICS

PARAMETER	SYMBOL	MIN	MAX	UNITS
Clock Oscillator Period	t_{CLK}	See <i>External Clock Oscillator Frequency</i>		
Clock Symmetry at 0.5 x V_{CC3}	t_{CH}	$0.45 t_{CLK}$	$0.55 t_{CLK}$	ns
Clock Rise Time	t_{CR}		3	ns
Clock Fall Time	t_{CF}		3	ns

EXTERNAL CLOCK DRIVE



SYSTEM CLOCK TIME PERIODS (t_{CLCL} , t_{CHCL} , t_{CLCH})

SYSTEM CLOCK SELECTION			SYSTEM CLOCK PERIOD t_{CLCL}	SYSTEM CLOCK HIGH (t_{CHCL}) AND SYSTEM CLOCK LOW (t_{CLCH})	
4X/2X	CD1	CD0		MIN	MAX
1	0	0	$t_{CLK} / 4$	$0.45 (t_{CLK} / 4)$	$0.55 (t_{CLK} / 4)$
0	0	0	$t_{CLK} / 2$	$0.45 (t_{CLK} / 2)$	$0.55 (t_{CLK} / 2)$
X	1	0	t_{CLK}	$0.45 t_{CLK}$	$0.55 t_{CLK}$
X	1	1	$256 t_{CLK}$	$0.45 (256 t_{CLK})$	$0.55 (256 t_{CLK})$

Note 1: Figure 21 shows a detailed description and illustration of the system clock selection.

Note 2: When an external clock oscillator is used in conjunction with the default system clock selection (CD1:CD0 = 10b), the minimum/maximum system clock high (t_{CHCL}) and system clock low (t_{CLCH}) periods are directly related to clock oscillator duty cycle.

MOVX CHARACTERISTICS (MULTIPLEXED ADDRESS/DATA BUS) (Note 1)

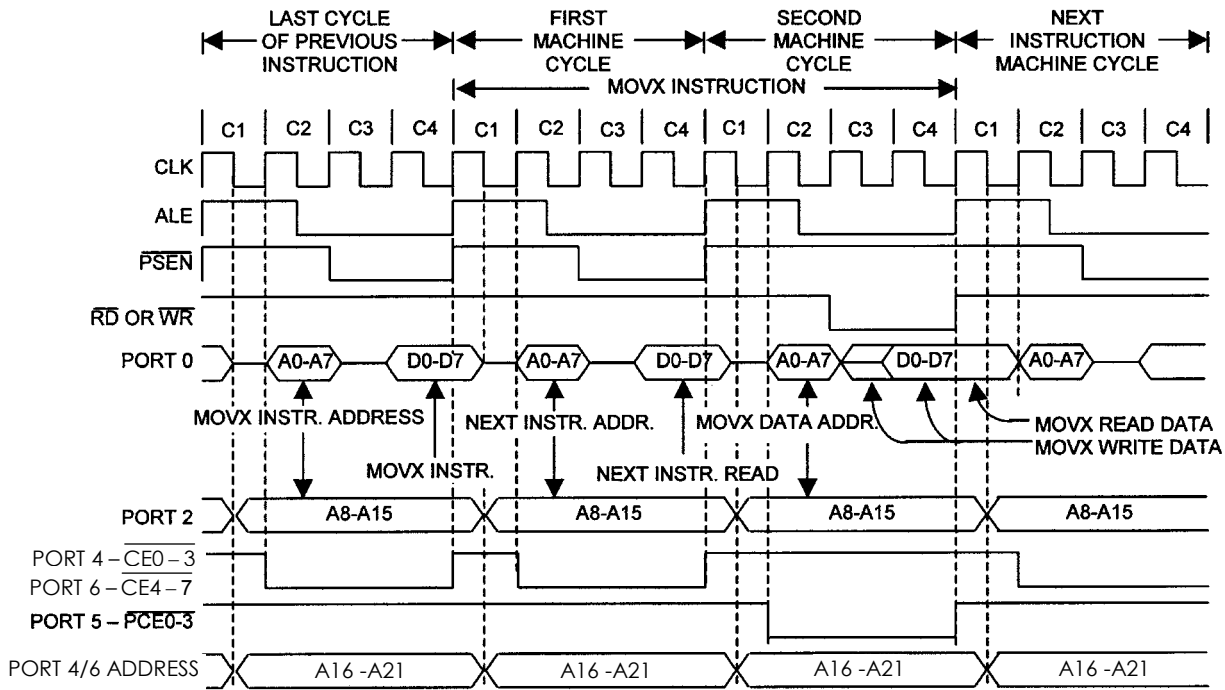
($V_{CC3} = 3.0V$ to $3.6V$, $V_{CC1} = 1.8V \pm 10\%$, $T_A = -40^\circ C$ to $+85^\circ C$.)

PARAMETER	SYMBOL	MIN	MAX	UNITS	STRETCH VALUES C_{ST} (MD2:0)
MOVX ALE Pulse Width	t_{LHLL2}	$t_{CLCL} + t_{CHCL} - 5$		ns	$C_{ST} = 0$
		$2t_{CLCL} - 5$			$1 \leq C_{ST} \leq 3$
		$6t_{CLCL} - 5$			$4 \leq C_{ST} \leq 7$
Port 0 MOVX Address Valid to ALE Low	t_{AVLL2}	$t_{CHCL} - 5$		ns	$C_{ST} = 0$
		$t_{CLCL} - 6$			$1 \leq C_{ST} \leq 3$
		$5t_{CLCL} - 6$			$4 \leq C_{ST} \leq 7$
Port 0 MOVX Address Hold after ALE Low	t_{LLAX2} and t_{LLAX3}	$t_{CLCH} - 2$		ns	$C_{ST} = 0$
		$t_{CLCL} - 2$			$1 \leq C_{ST} \leq 3$
		$5t_{CLCL} - 2$			$4 \leq C_{ST} \leq 7$
\overline{RD} Pulse Width (P3.7 or \overline{PSEN})	t_{RLRH}	$2t_{CLCL} - 5$		ns	$C_{ST} = 0$
		$(4 \times C_{ST}) t_{CLCL} - 3$			$1 \leq C_{ST} \leq 7$
\overline{WR} Pulse Width (P3.6)	t_{WLWH}	$2t_{CLCL} - 5$		ns	$C_{ST} = 0$
		$(4 \times C_{ST}) t_{CLCL} - 3$			$1 \leq C_{ST} \leq 7$
\overline{RD} (P3.7 or \overline{PSEN}) Low to Valid Data In	t_{RLDV}	$2t_{CLCL} - 18$		ns	$C_{ST} = 0$
		$(4 \times C_{ST}) t_{CLCL} - 18$			$1 \leq C_{ST} \leq 7$
Data Hold After \overline{RD} (P3.7 or \overline{PSEN}) High	t_{RHDX}	-2		ns	

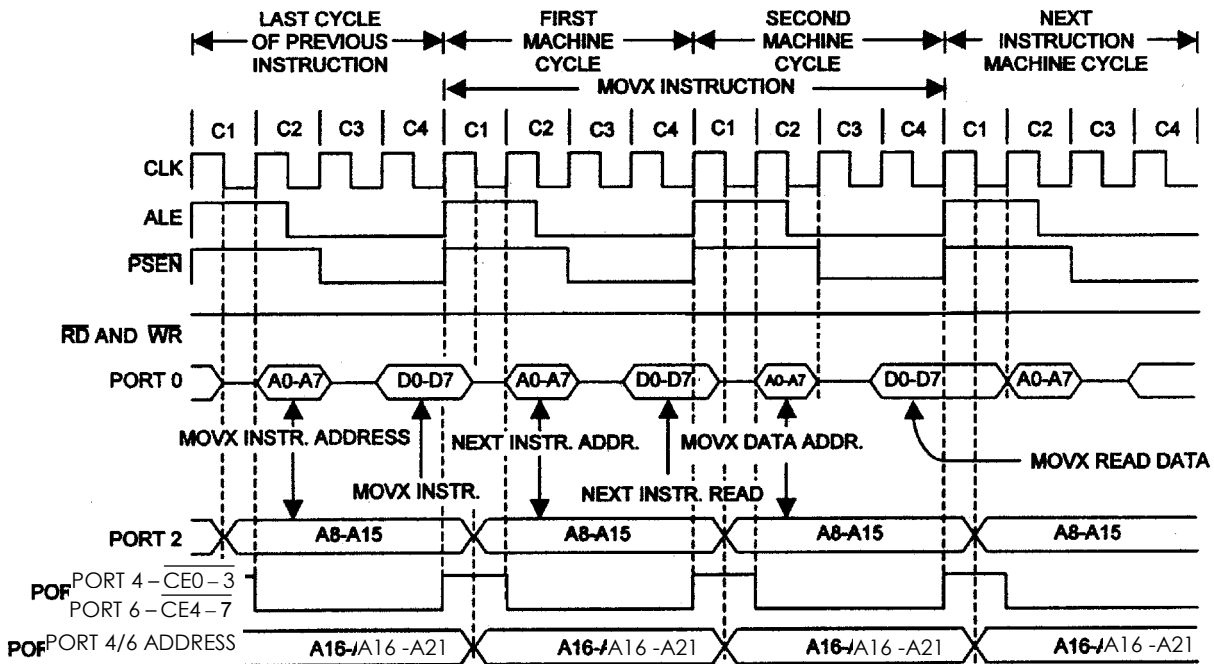
PARAMETER	SYMBOL	MIN	MAX	UNITS	STRETCH VALUES C _{ST} (MD2:0)
Data Float After \overline{RD} (P3.7 or PSEN) High	t _{RHDZ}	t _{CLCL} - 5		ns	C _{ST} = 0
		2t _{CLCL} - 5			1 ≤ C _{ST} ≤ 3
		6t _{CLCL} - 5			4 ≤ C _{ST} ≤ 7
ALE Low to Valid Data In	t _{LLDV}	2t _{CLCL} + t _{CLCH} - 19		ns	C _{ST} = 0
		(4 x C _{ST} + 1)t _{CLCL} - 19			1 ≤ C _{ST} ≤ 3
		(4 x C _{ST} + 5)t _{CLCL} - 19			4 ≤ C _{ST} ≤ 7
Port 0 Address to Valid Data In	t _{AVDV0}	3t _{CLCL} - 19		ns	C _{ST} = 0
		(4 x C _{ST} + 2)t _{CLCL} - 19			1 ≤ C _{ST} ≤ 3
		(4 x C _{ST} + 10)t _{CLCL} - 20			4 ≤ C _{ST} ≤ 7
Port 2, 4, 6 Address, Port 4 CE, or Port 5 PCE to Valid Data In	t _{AVDV2}	3t _{CLCL} + t _{CLCH} - 22		ns	C _{ST} = 0
		(4 x C _{ST} + 2)t _{CLCL} + t _{CLCH} - 22			1 ≤ C _{ST} ≤ 3
		(4 x C _{ST} + 10)t _{CLCL} + t _{CLCH} - 22			4 ≤ C _{ST} ≤ 7
ALE Low to (\overline{RD} or \overline{PSEN}) or \overline{WR} Low	t _{LLWL}	t _{CLCH} - 3	t _{CLCH} + 6	ns	C _{ST} = 0
		t _{CLCL} - 3	t _{CLCL} + 6		1 ≤ C _{ST} ≤ 3
		5t _{CLCL} - 3	5t _{CLCL} + 6		4 ≤ C _{ST} ≤ 7
Port 0 Address to (\overline{RD} or \overline{PSEN}) or \overline{WR} Low	t _{AVWL0}	t _{CLCL} - 6.5		ns	C _{ST} = 0
		2t _{CLCL} - 6.5			1 ≤ C _{ST} ≤ 3
		10t _{CLCL} - 7			4 ≤ C _{ST} ≤ 7
Port 2, 4 Address, Port 4 CE, Port 5 PCE, to (\overline{RD} or \overline{PSEN}) or \overline{WR} Low	t _{AVWL2}	t _{CLCL} + t _{CLCH} - 7		ns	C _{ST} = 0
		2t _{CLCL} + t _{CLCH} - 7			1 ≤ C _{ST} ≤ 3
		10t _{CLCL} + t _{CLCH} - 7			4 ≤ C _{ST} ≤ 7
Data Valid to \overline{WR} Transition	t _{QVWX}	0		ns	
Data Hold After \overline{WR} High	t _{WHQX}	t _{CLCL} - 5		ns	C _{ST} = 0
		2t _{CLCL} - 8			1 ≤ C _{ST} ≤ 3
		6t _{CLCL} - 8			4 ≤ C _{ST} ≤ 7
\overline{RD} Low to Address Float	t _{RLAZ}	(Note 2)			0 ≤ C _{ST} ≤ 7
(\overline{RD} or \overline{PSEN}) or \overline{WR} High to ALE	t _{WHLH}	-2.5		ns	C _{ST} = 0
		t _{CLCL} - 2.5	t _{CLCL} + 6		1 ≤ C _{ST} ≤ 3
		5t _{CLCL} - 2.5	5t _{CLCL} + 6		4 ≤ C _{ST} ≤ 7
(\overline{RD} or \overline{PSEN}) or \overline{WR} High to Port 4 CE or Port 5 PCE High	t _{WHLH2}	t _{CHCL} - 5	t _{CHCL} + 13	ns	C _{ST} = 0
		t _{CLCL} + t _{CHCL} - 5	t _{CLCL} + t _{CHCL} + 13		1 ≤ C _{ST} ≤ 3
		5t _{CLCL} + t _{CHCL} - 5	5t _{CLCL} + t _{CHCL} + 13		4 ≤ C _{ST} ≤ 7

- Note 1:** AC electrical characteristics assume 50% duty cycle for the oscillator, oscillator frequency ≤ 75MHz, and are not 100% production tested, but are guaranteed by design.
- Note 2:** For a MOVX read operation, on the falling edge of ALE, Port 0 is held by a weak latch until overdriven by external memory.
- Note 3:** All parameters apply to both commercial and industrial temperature operation, unless otherwise noted.
- Note 4:** C_{ST} is the stretch cycle value as determined by the MD2, MD1, and MD0 bits of the CKCON register. t_{CLCL}, t_{CLCH}, t_{CHCL} are time periods associated with the internal system clock and are related to the external clock. See the *System Clock Time Periods* table.
- Note 5:** All signals characterized with load capacitance of 80pF except Port 0, Port 2, ALE, \overline{PSEN} , \overline{RD} , and \overline{WR} with 100pF. The following signals, when configured for memory interface, are also characterized with 100pF loading: Port 4 (CE0-3, A16-A19), Port 5.4-5.7 (PCE0-3), Port 6.0-6.5 (CE4-7, A20, A21), Port 7 (demultiplexed mode A0-A7).
- Note 6:** References to the XTAL, XTAL1 or CLK signal in the timing diagrams are to assist in determining the relative occurrence of events, not for determining absolute signal timing with respect to the external clock.

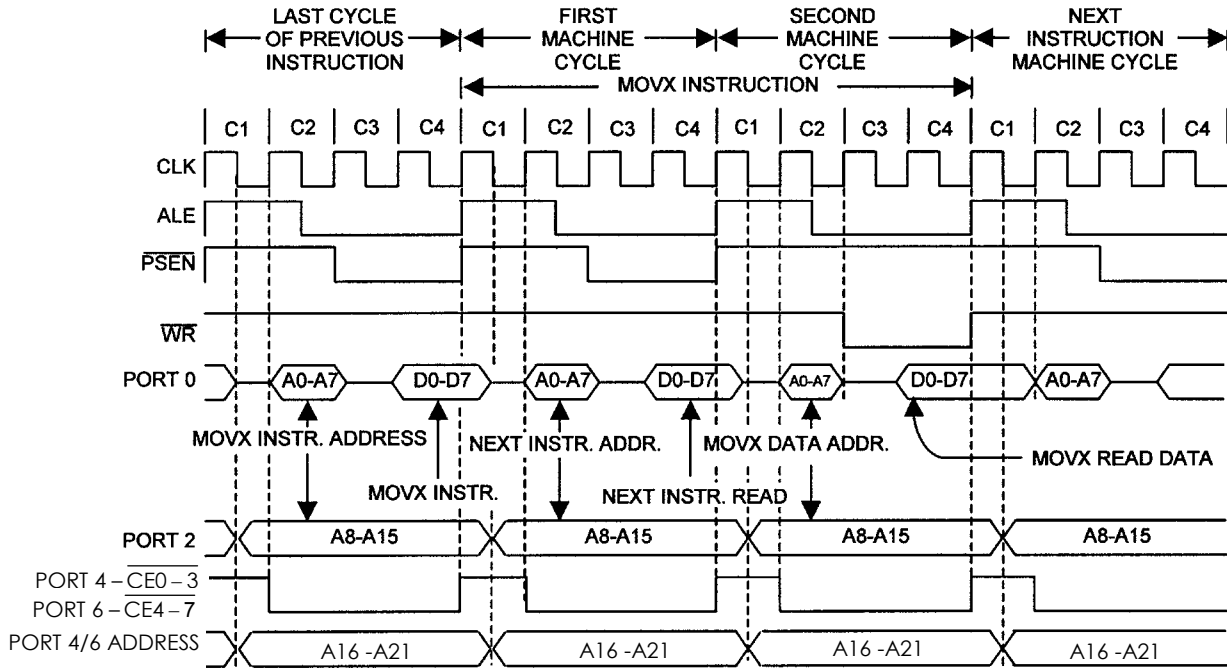
MULTIPLEXED, 2-CYCLE DATA MEMORY $\overline{PCE0-3}$ READ



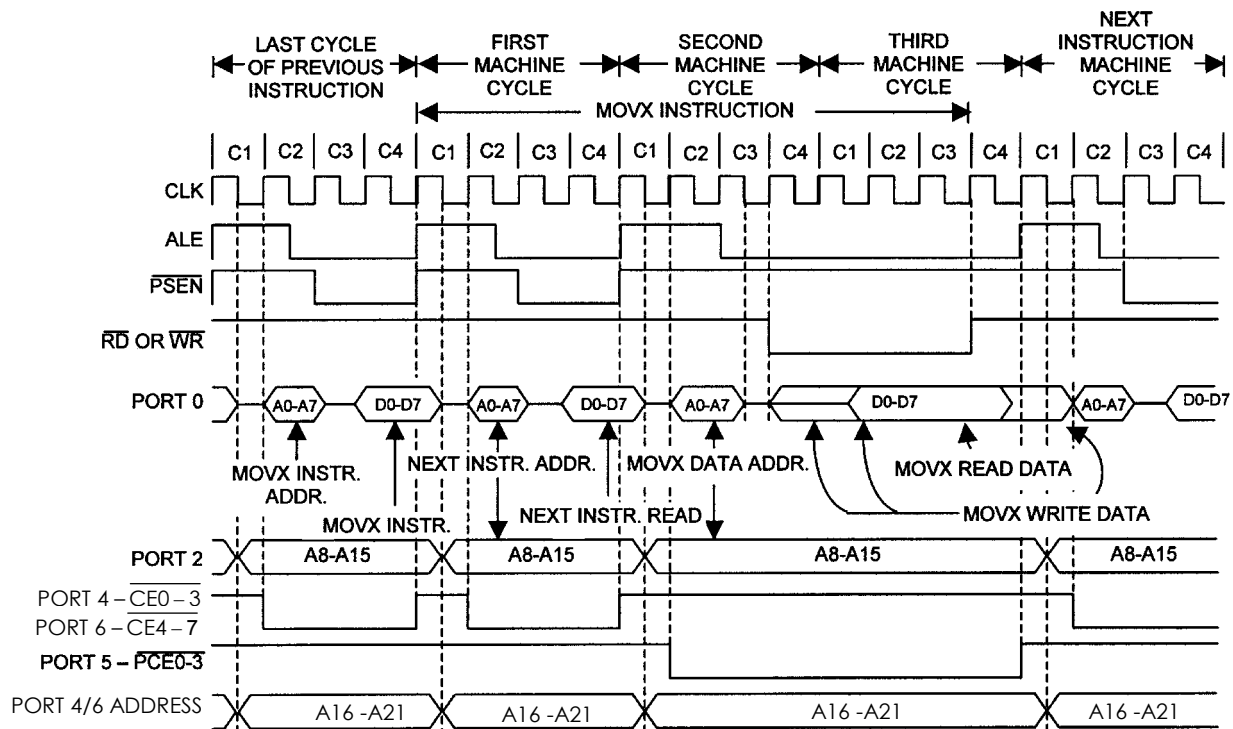
MULTIPLEXED, 2-CYCLE DATA MEMORY $\overline{CE0-7}$ READ



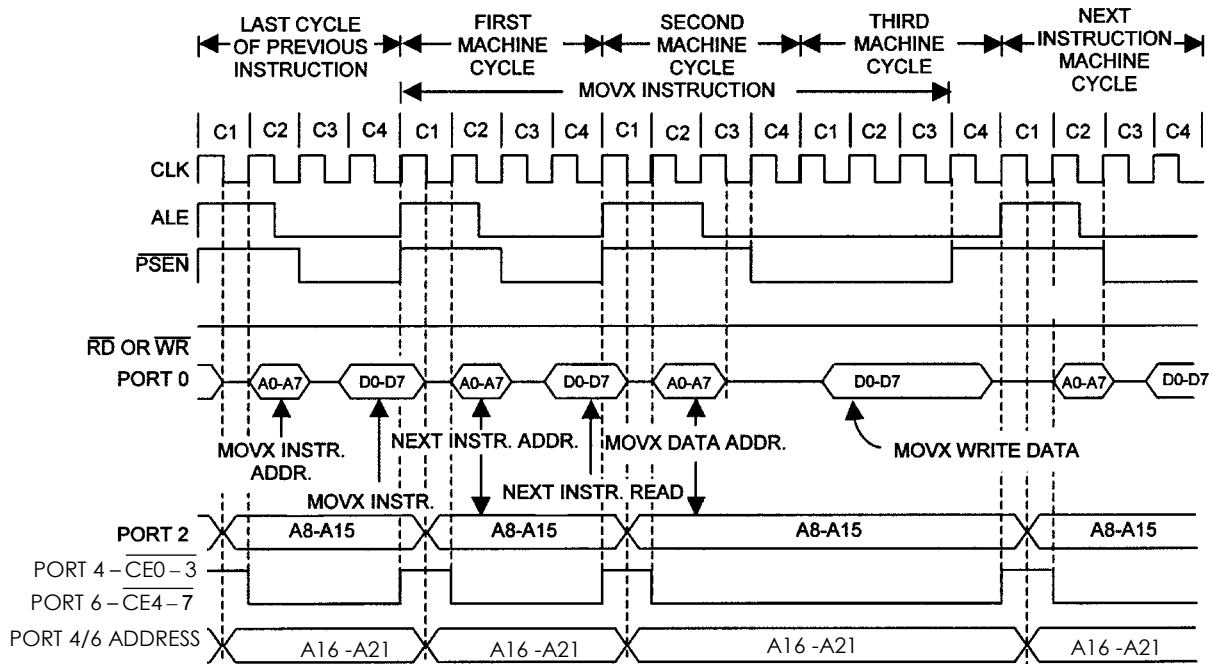
MULTIPLEXED, 2-CYCLE DATA MEMORY $\overline{CE0-7}$ WRITE



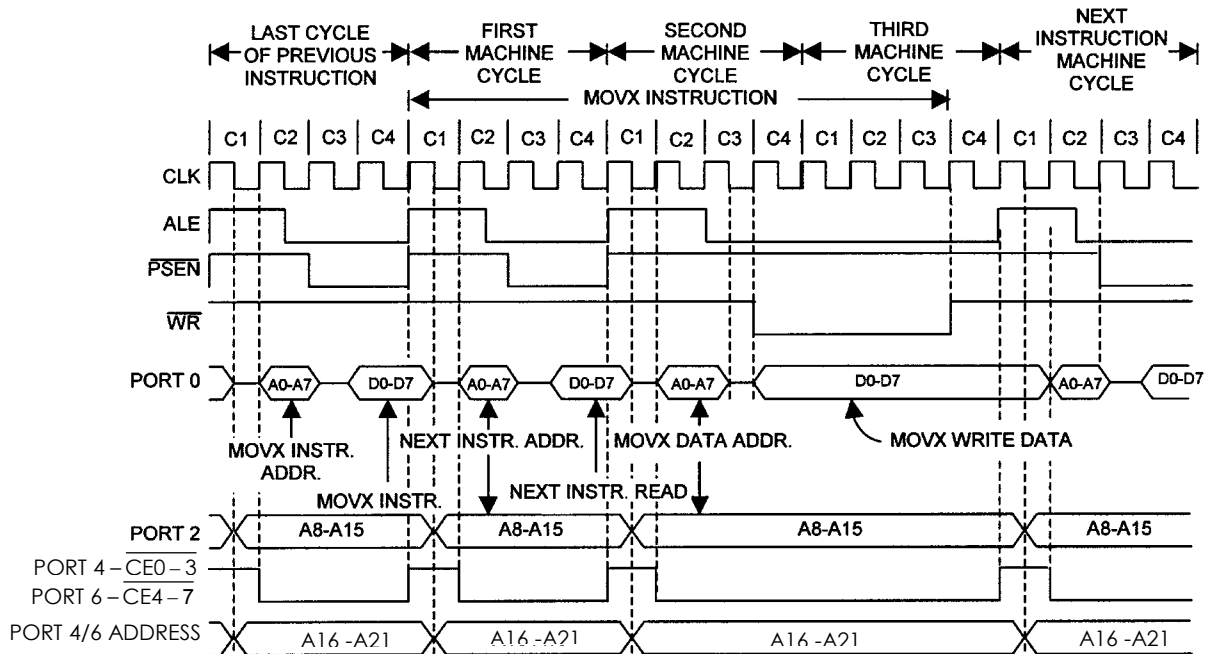
MULTIPLEXED, 3-CYCLE DATA MEMORY $\overline{PCE0-3}$ READ OR WRITE



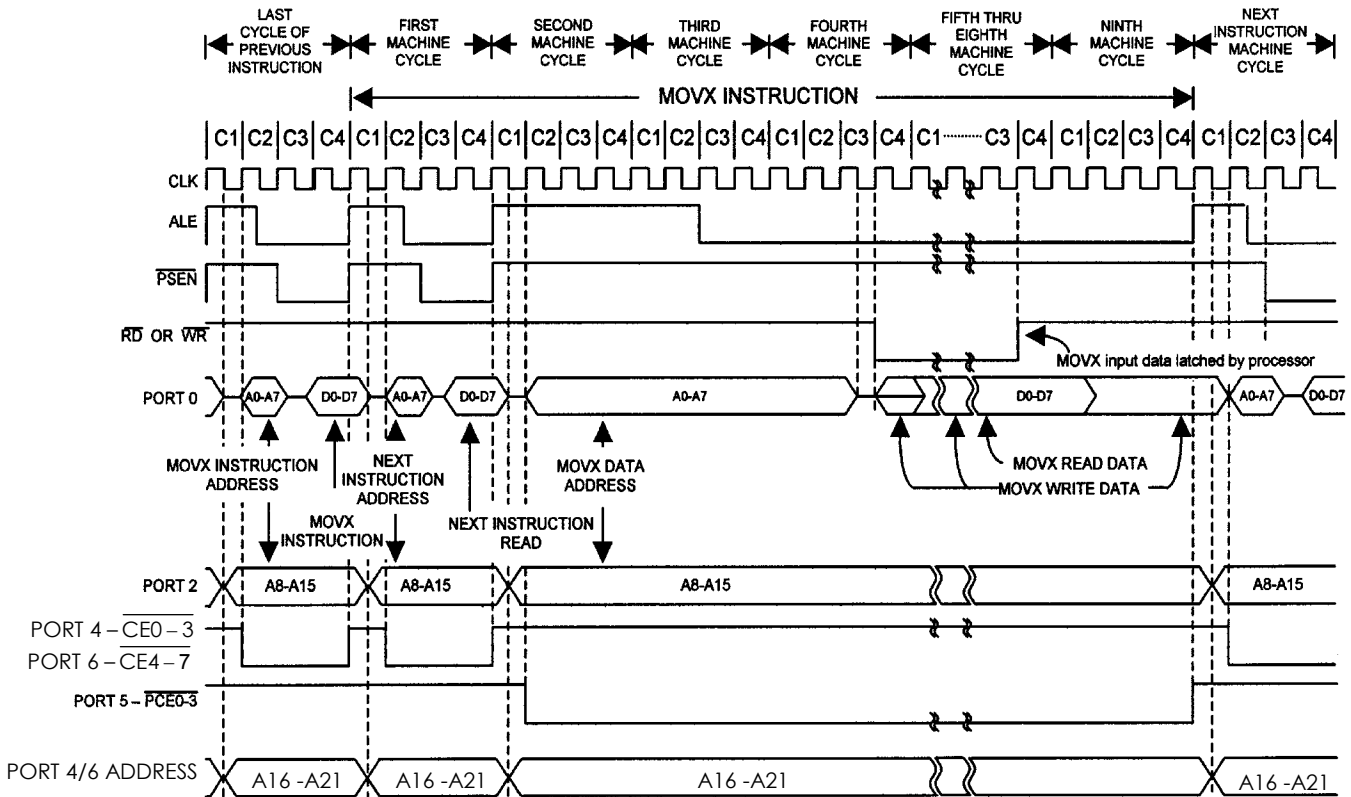
MULTIPLEXED, 3-CYCLE DATA MEMORY $\overline{CE0-7}$ READ



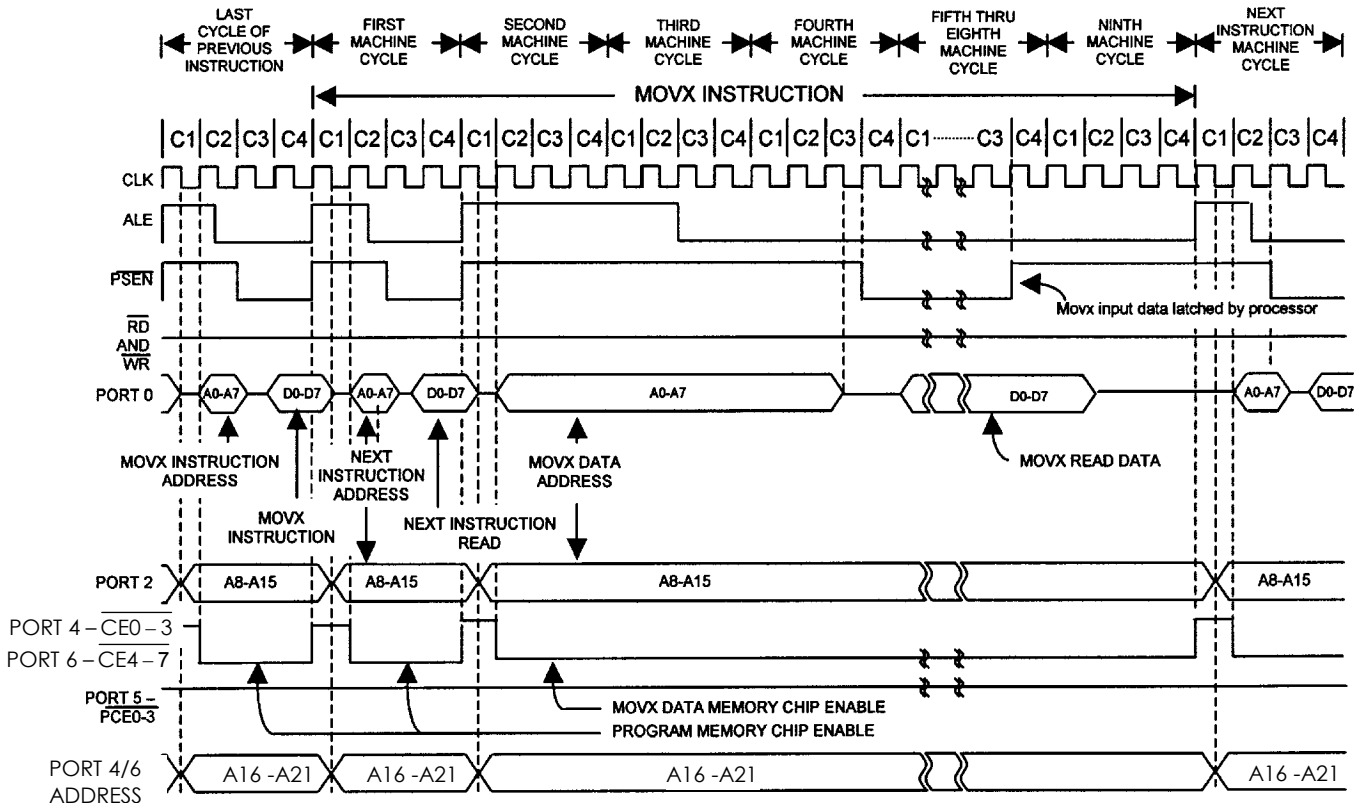
MULTIPLEXED, 3-CYCLE DATA MEMORY $\overline{CE0-7}$ WRITE



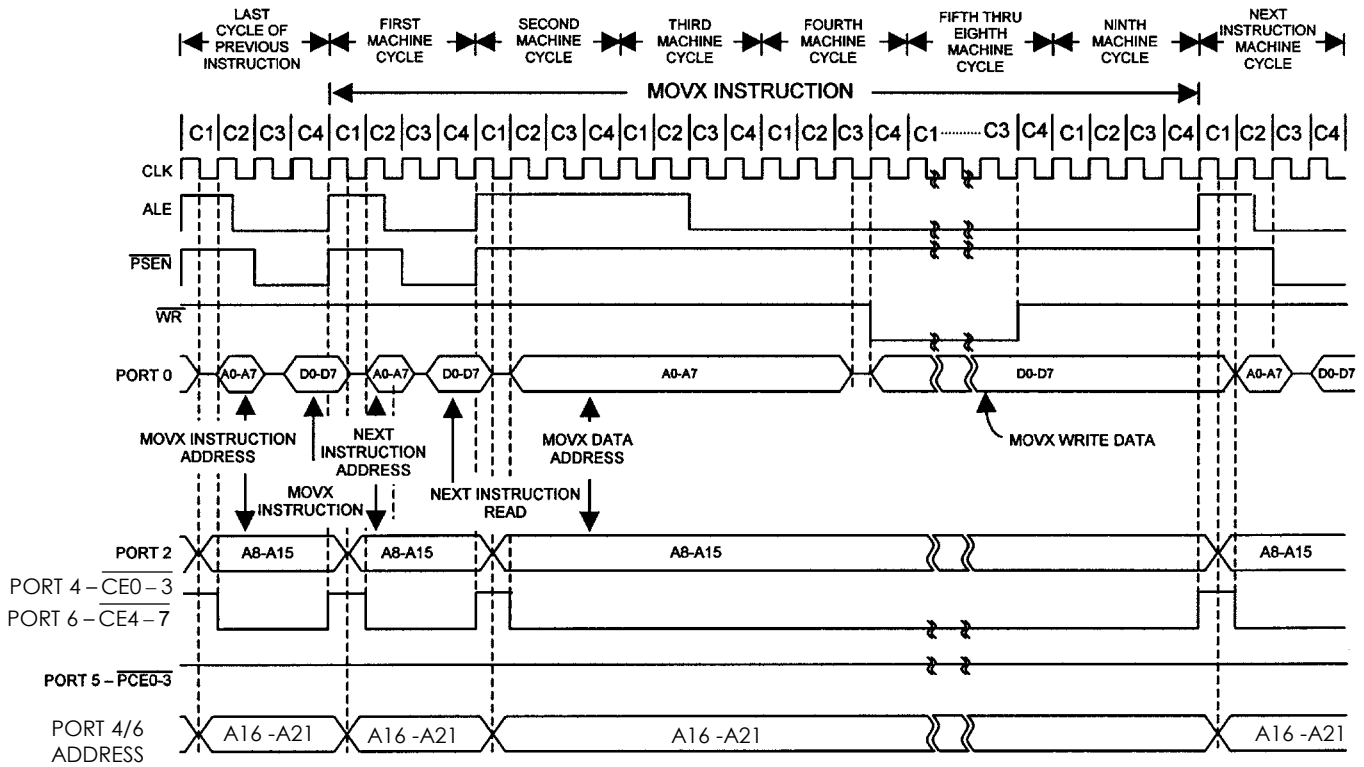
MULTIPLEXED, 9-CYCLE DATA MEMORY PCE0-3 READ OR WRITE



MULTIPLEXED, 9-CYCLE DATA MEMORY CE0-7 READ



MULTIPLEXED, 9-CYCLE DATA MEMORY $\overline{CE0-7}$ WRITE



ELECTRICAL CHARACTERISTICS (NONMULTIPLEXED ADDRESS/DATA BUS)(V_{CC3} = 3.0V to 3.6V, V_{CC1} = 1.8V ±10%, T_A = -40°C to +85°C.) (Note 1)

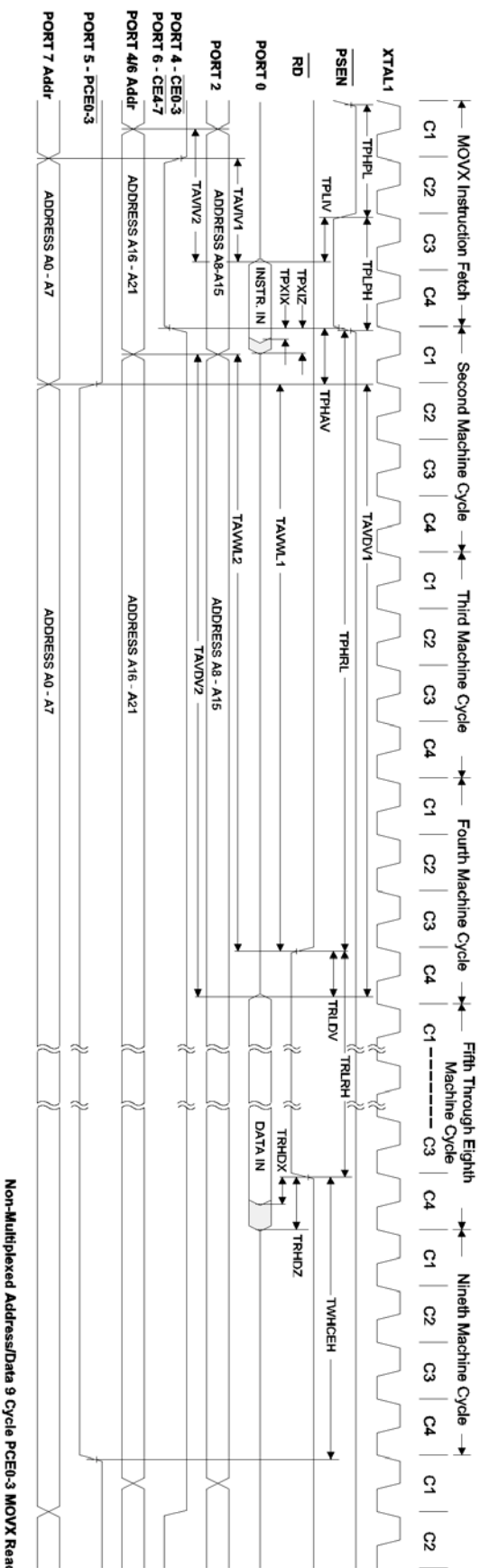
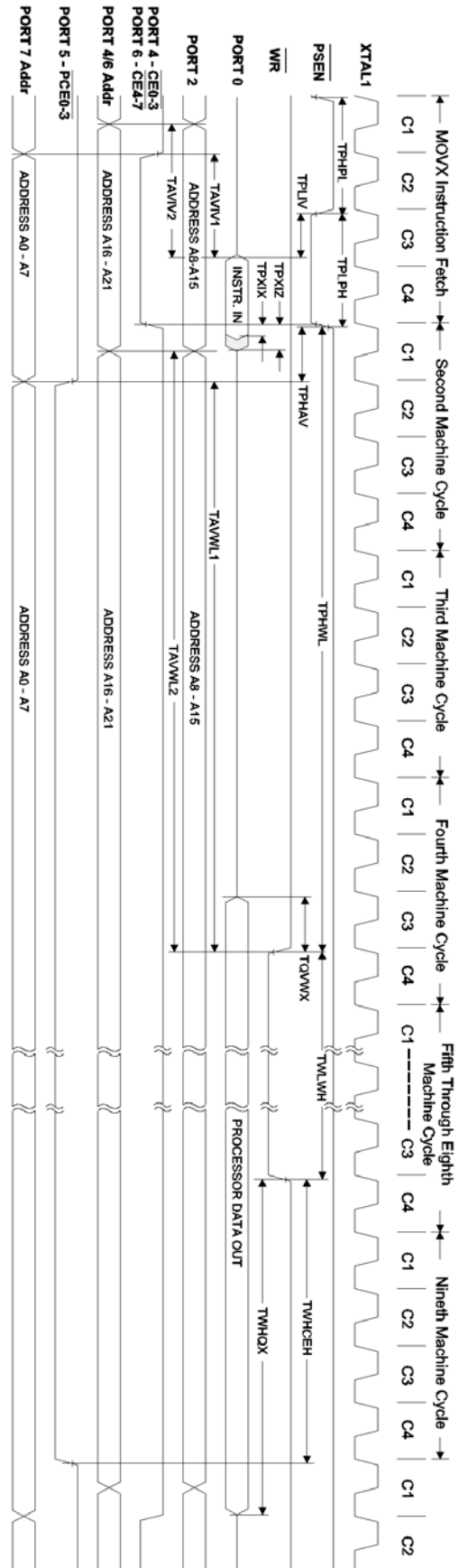
PARAMETER	SYMBOL	75MHz		VARIABLE CLOCK		UNITS
		MIN	MAX	MIN	MAX	
External Crystal Frequency	1 / t _{CLK}			4	40	MHz
Clock Multiplier 2X Mode				16	37.5	
Clock Multiplier 4X Mode				11	18.75	
External Oscillator Frequency	1 / t _{CLK}			DC	75	MHz
Clock Multiplier 2X Mode				16	37.5	
Clock Multiplier 4X Mode				11	18.75	
PSEN Pulse Width	t _{PLPH}	21.7		2t _{CLCL} - 5		ns
PSEN Low to Valid Instruction In	t _{PLIV}		8.7	2t _{CLCL} - 18		ns
Input Instruction Hold After PSEN	t _{PXIX}	0		0		ns
Input Instruction Float After PSEN	t _{PXIZ}			See <i>MOVX Characteristics</i>		ns
Port 7 Address to Valid Instruction In	t _{AVIV1}		21.0	3t _{CLCL} - 19		ns
Port 2, 4, 6 Address or Port 4 CE to Valid Instruction In	t _{AVIV2}		24.7	3t _{CLCL} + t _{CLCH} - 22		ns

- Note 1:** AC electrical characteristics assume 50% duty cycle for the oscillator, oscillator frequency ≤ 75MHz, and are not 100% production tested, but are guaranteed by design.
- Note 2:** All parameters apply to both commercial and industrial temperature operation, unless otherwise noted.
- Note 3:** t_{CLCL}, t_{CLCH}, t_{CHCL} are time periods associated with the internal system clock and are related to the external clock (t_{CLK}) as defined in the *System Clock Time Periods* table.
- Note 4:** The precalculated 75MHz min/max timing specifications assume an exact 50% duty cycle.
- Note 5:** All signals characterized with load capacitance of 80pF except Port 0, Port 2, ALE, PSEN, RD, and WR with 100pF. The following signals, when configured for memory interface, are also characterized with 100pF loading: Port 4 (CE0-3, A16-A19), Port 5.4-5.7 (PCE0-3), Port 6.0-6.5 (CE4-7, A20, A21), Port 7 (demultiplexed mode A0-A7).
- Note 6:** References to the XTAL, XTAL1, or CLK signal in the timing diagrams are to assist in determining the relative occurrence of events, not for determining absolute signal timing with respect to the external clock.

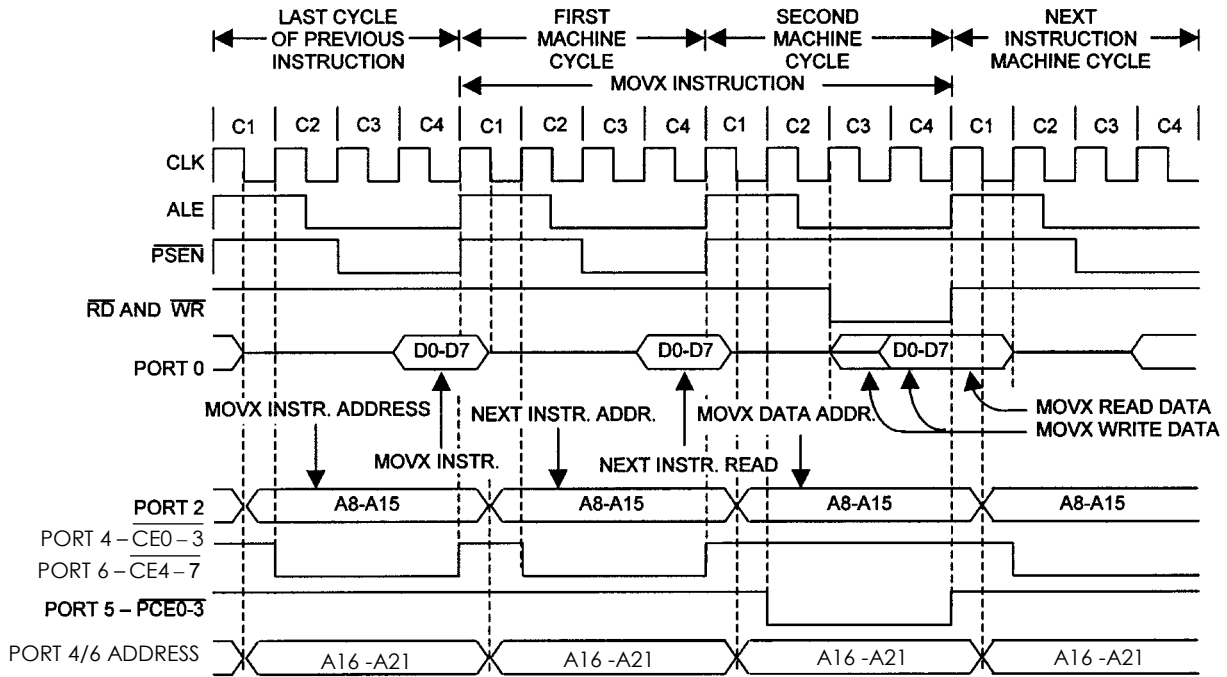
MOVX CHARACTERISTICS (NONMULTIPLEXED ADDRESS/DATA BUS)(V_{CC3} = 3.0V to 3.6V, V_{CC1} = 1.8V ±10%, T_A = -40°C to +85°C.) (Note 1)

PARAMETER	SYMBOL	MIN	MAX	UNITS	STRETCH VALUES C _{ST} (MD2:0)
Input Instruction Float After $\overline{\text{PSEN}}$	t _{PIXZ}		2t _{CLCL} - 5	ns	C _{ST} = 0
			3t _{CLCL} - 5		1 ≤ C _{ST} ≤ 3
			11t _{CLCL} - 5		4 ≤ C _{ST} ≤ 7
$\overline{\text{PSEN}}$ High to Data Address, Port 4 CE, Port 5 PCE Valid	t _{PHAV}	t _{CHCL} - 3		ns	
$\overline{\text{RD}}$ Pulse Width (P3.7 or $\overline{\text{PSEN}}$)	t _{RLRH}		2t _{CLCL} - 5	ns	C _{ST} = 0
			(4 × C _{ST})t _{CLCL} - 3		1 ≤ C _{ST} ≤ 7
$\overline{\text{WR}}$ Pulse Width (P3.6)	t _{WLWH}		2t _{CLCL} - 5	ns	C _{ST} = 0
			(4 × C _{ST})t _{CLCL} - 3		1 ≤ C _{ST} ≤ 7
$\overline{\text{RD}}$ (P3.7 or $\overline{\text{PSEN}}$) Low to Valid Data In	t _{RLDV}		2t _{CLCL} - 17	ns	C _{ST} = 0
			(4 × C _{ST})t _{CLCL} - 17		1 ≤ C _{ST} ≤ 7
Data Hold After $\overline{\text{RD}}$ (P3.7 or $\overline{\text{PSEN}}$) High	t _{RHDX}	-2		ns	
Data Float After $\overline{\text{RD}}$ (P3.7 or $\overline{\text{PSEN}}$) High	t _{RHDZ}		t _{CLCL} - 5	ns	C _{ST} = 0
			2t _{CLCL} - 5		1 ≤ C _{ST} ≤ 3
			6t _{CLCL} - 5		4 ≤ C _{ST} ≤ 7
$\overline{\text{PSEN}}$ High to $\overline{\text{WR}}$ Low	t _{PHWL}		2t _{CLCL} - 3	ns	C _{ST} = 0
			3t _{CLCL} - 3		1 ≤ C _{ST} ≤ 3
			11t _{CLCL} - 3		4 ≤ C _{ST} ≤ 7
$\overline{\text{PSEN}}$ High to ($\overline{\text{RD}}$ or $\overline{\text{PSEN}}$) Low	t _{PHRL}		2t _{CLCL} - 3	ns	C _{ST} = 0
			3t _{CLCL} - 3		1 ≤ C _{ST} ≤ 3
			11t _{CLCL} - 3		4 ≤ C _{ST} ≤ 7
Port 7 Address to Valid Data In	t _{AVDV1}		3t _{CLCL} - 19	ns	C _{ST} = 0
			(4 × C _{ST} + 2)t _{CLCL} - 19		1 ≤ C _{ST} ≤ 3
			(4 × C _{ST} + 10)t _{CLCL} - 19		4 ≤ C _{ST} ≤ 7
Port 2, 4, 6 Address, Port 4 CE or Port 5 PCE to Valid Data In	t _{AVDV2}		3t _{CLCL} + t _{CLCH} - 22	ns	C _{ST} = 0
			(4 × C _{ST} + 2)t _{CLCL} + t _{CLCH} - 22		1 ≤ C _{ST} ≤ 3
			(4 × C _{ST} + 10)t _{CLCL} + t _{CLCH} - 22		4 ≤ C _{ST} ≤ 7
Port 7 Address to ($\overline{\text{RD}}$ or $\overline{\text{PSEN}}$) or $\overline{\text{WR}}$ Low	t _{AVWL1}		t _{CLCL} - 6.5	ns	C _{ST} = 0
			2t _{CLCL} - 6.5		1 ≤ C _{ST} ≤ 3
			10t _{CLCL} - 7		4 ≤ C _{ST} ≤ 7
Port 2, 4, 6 Address, Port 4 CE or Port 5 PCE to ($\overline{\text{RD}}$ or $\overline{\text{PSEN}}$) or $\overline{\text{WR}}$ Low	t _{AVWL2}		t _{CLCL} + t _{CLCH} - 7	ns	C _{ST} = 0
			2t _{CLCL} + t _{CLCH} - 7		1 ≤ C _{ST} ≤ 3
			10t _{CLCL} + t _{CLCH} - 7		4 ≤ C _{ST} ≤ 7
Data Valid to $\overline{\text{WR}}$ Transition	t _{QVWX}	0		ns	
Data Hold After $\overline{\text{WR}}$ High	t _{WHQX}		t _{CLCL} - 5	ns	C _{ST} = 0
			2t _{CLCL} - 8		1 ≤ C _{ST} ≤ 3
			6t _{CLCL} - 8		4 ≤ C _{ST} ≤ 7
($\overline{\text{RD}}$ or $\overline{\text{PSEN}}$) or $\overline{\text{WR}}$ High to Port 4 CE or Port 5 PCE High	t _{WHCEH}		t _{CHCL} - 5	ns	C _{ST} = 0
			t _{CLCL} + t _{CHCL} - 5		1 ≤ C _{ST} ≤ 3
			5t _{CLCL} + t _{CHCL} - 5		4 ≤ C _{ST} ≤ 7
		t _{CHCL} + 13	t _{CLCL} + t _{CHCL} + 12		
		5t _{CLCL} + t _{CHCL} + 12			

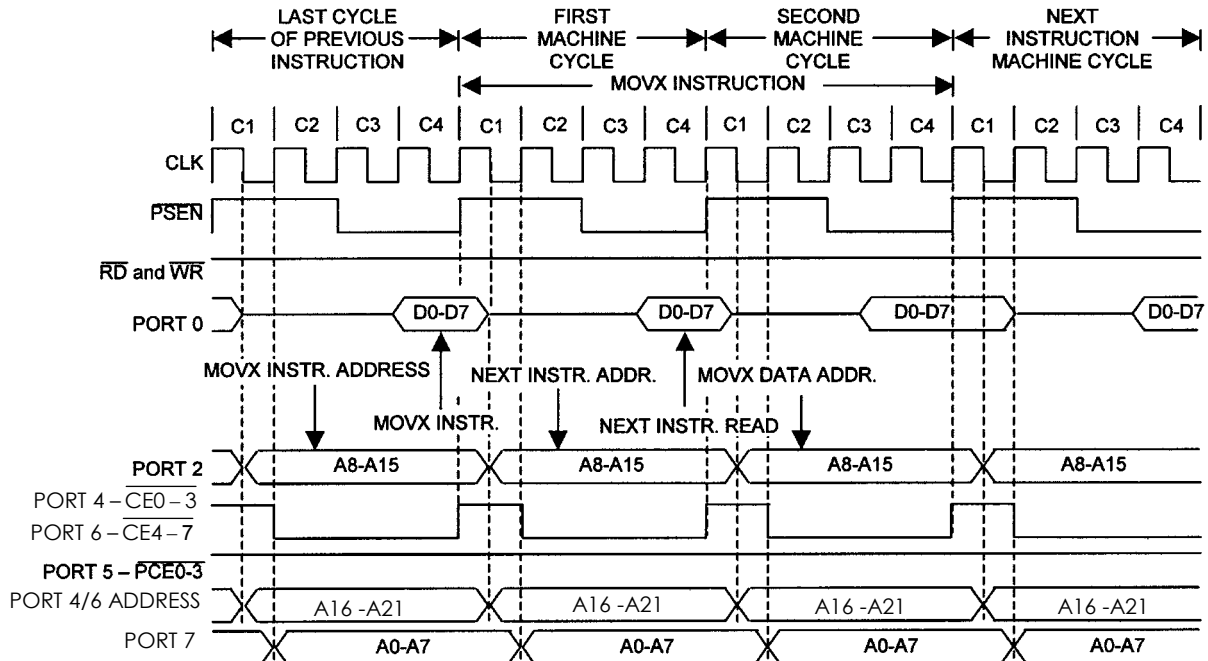
- Note 1:** AC electrical characteristics assume 50% duty cycle for the oscillator, oscillator frequency $\leq 75\text{MHz}$, and are not 100% production tested, but are guaranteed by design.
- Note 2:** All parameters apply to both commercial and industrial temperature operation, unless otherwise noted.
- Note 3:** CST is the stretch cycle value as determined by the MD2, MD1, and MD0 bits of the CKCON register. t_{CLCL} , t_{CLCH} , t_{CHCL} are time periods associated with the internal system clock and are related to the external clock. See the *System Clock Time Periods* table.
- Note 4:** All signals characterized with load capacitance of 80pF except Port 0, Port 2, ALE, $\overline{\text{PSEN}}$, $\overline{\text{RD}}$, and $\overline{\text{WR}}$ with 100pF. The following signals, when configured for memory interface, are also characterized with 100pF loading: Port 4 ($\overline{\text{CE0-3}}$, A16–A19), Port 5.4–5.7 ($\overline{\text{PCE0-3}}$), Port 6.0–6.5 ($\overline{\text{CE4-7}}$, A20, A2), Port 7 (demultiplexed mode A0–A7).
- Note 5:** References to the XTAL or CLK signal in the timing diagrams are to assist in determining the relative occurrence of events, not for determining absolute signal timing with respect to the external clock.



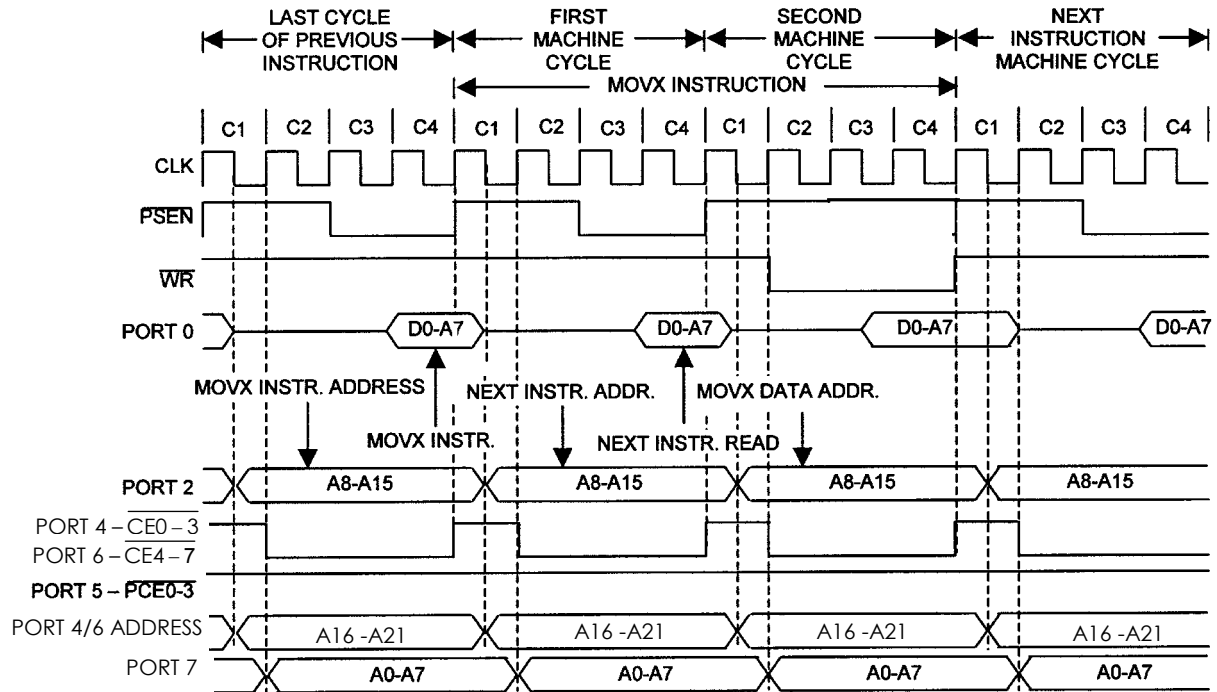
NONMULTIPLEXED, 2-CYCLE DATA MEMORY $\overline{PCE0-3}$ READ OR WRITE



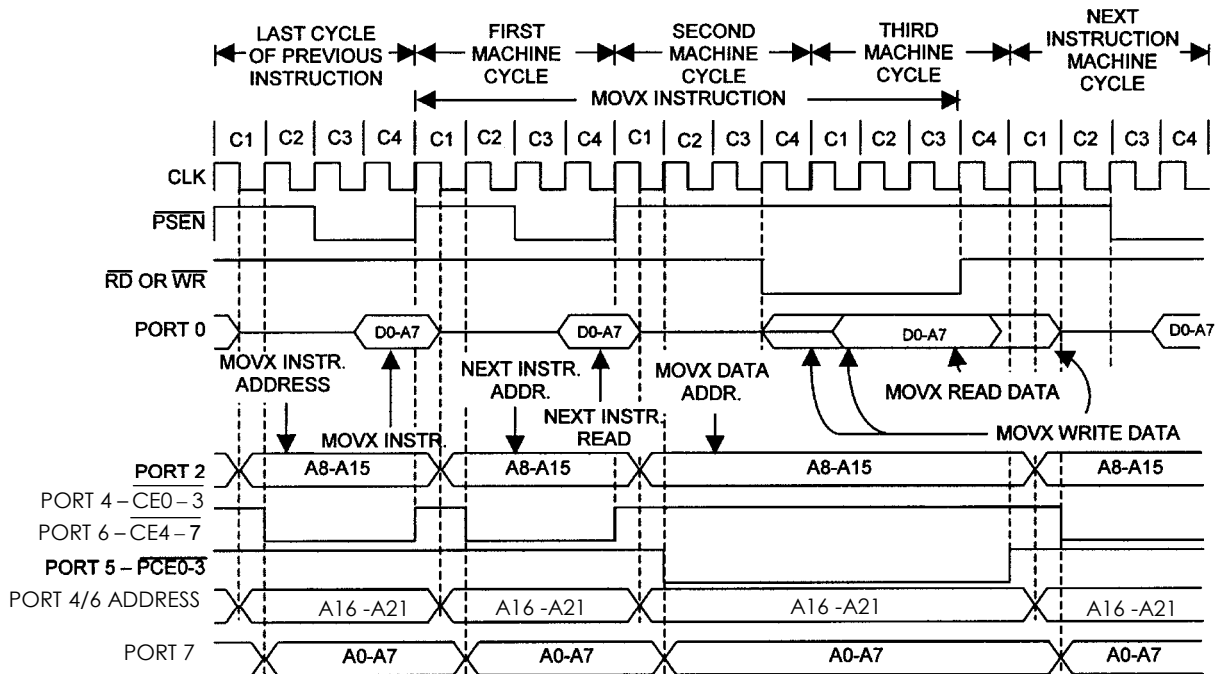
NONMULTIPLEXED, 2-CYCLE DATA MEMORY $\overline{CE0-7}$ READ



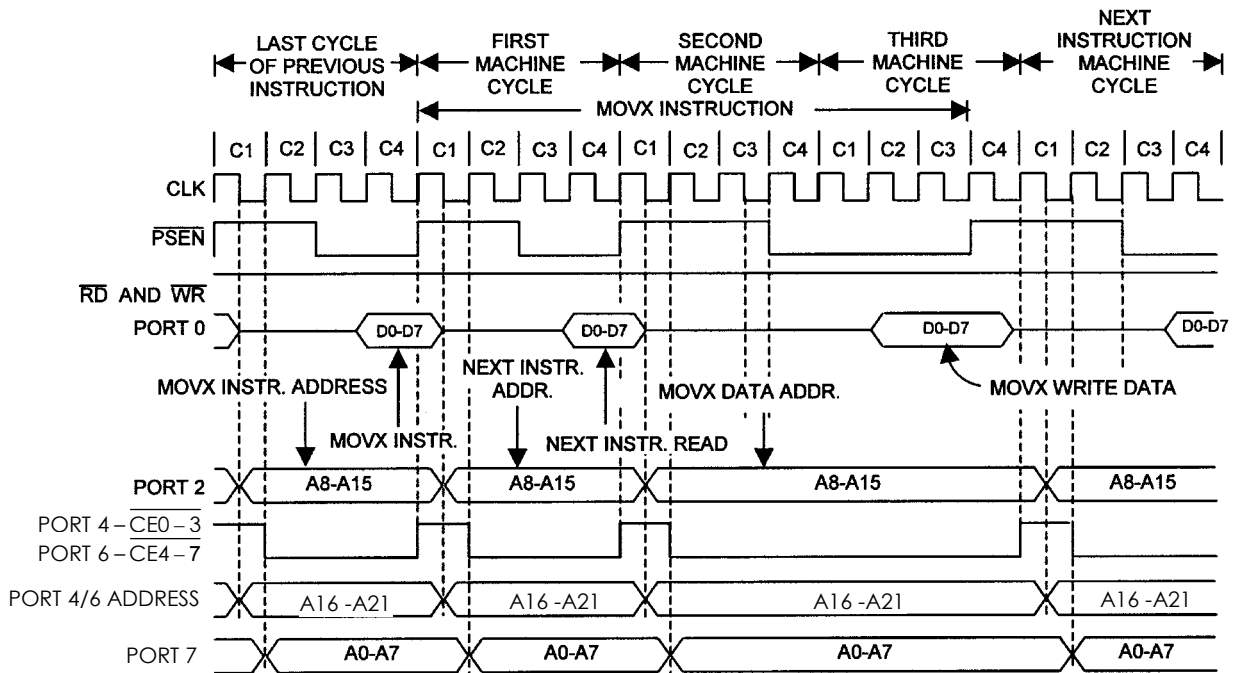
NONMULTIPLEXED, 2-CYCLE DATA MEMORY $\overline{CE0-7}$ WRITE



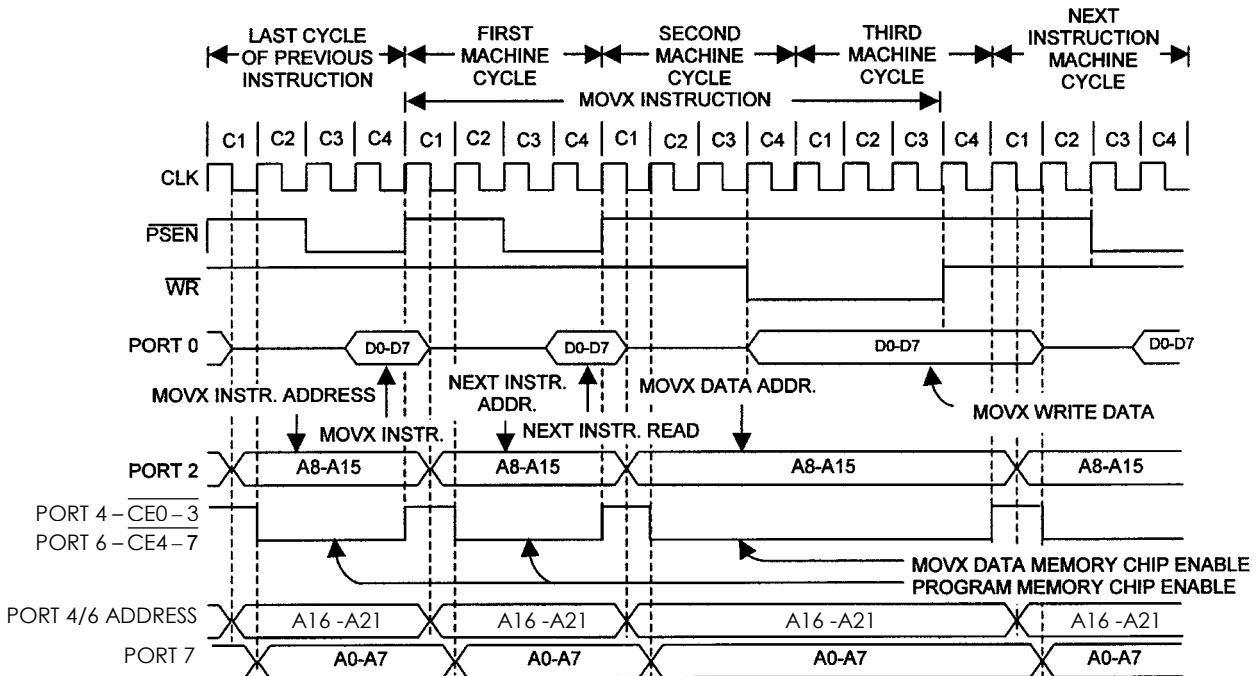
NONMULTIPLEXED, 3-CYCLE DATA MEMORY $\overline{PCE0-3}$ READ OR WRITE



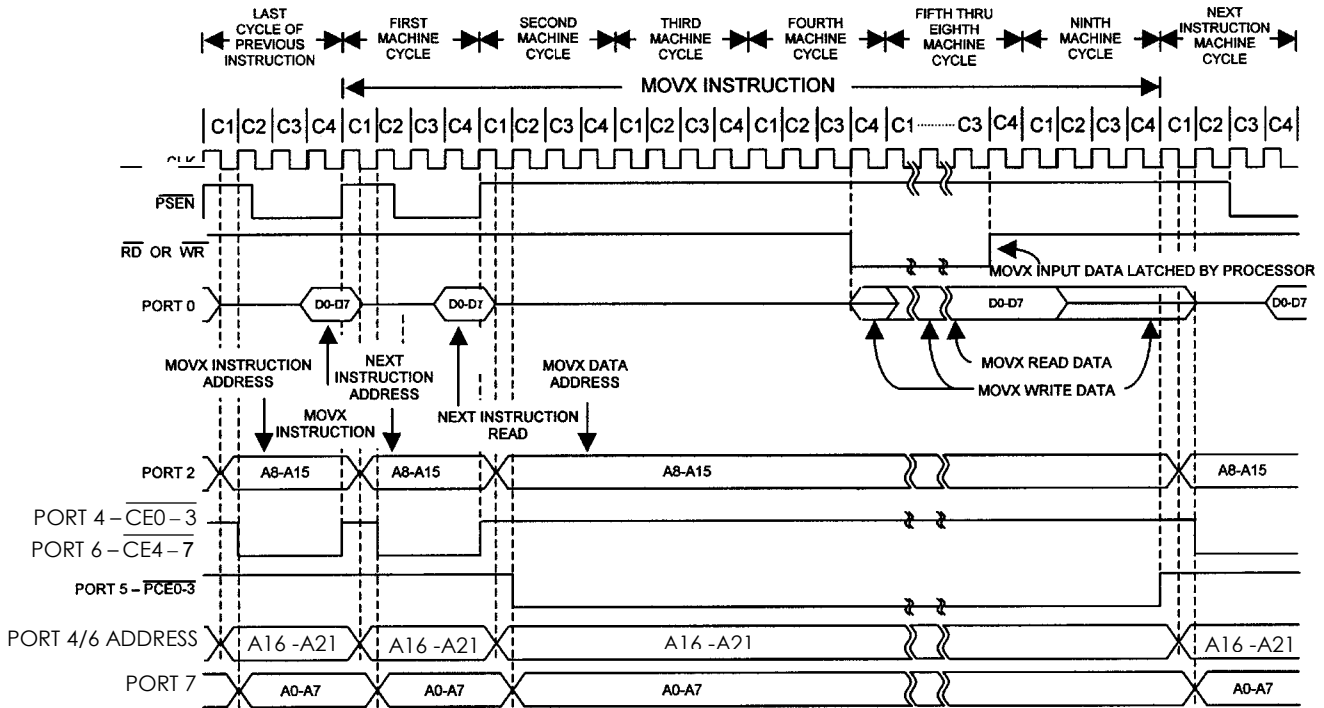
NONMULTIPLEXED, 3-CYCLE DATA MEMORY $\overline{CE0-7}$ READ



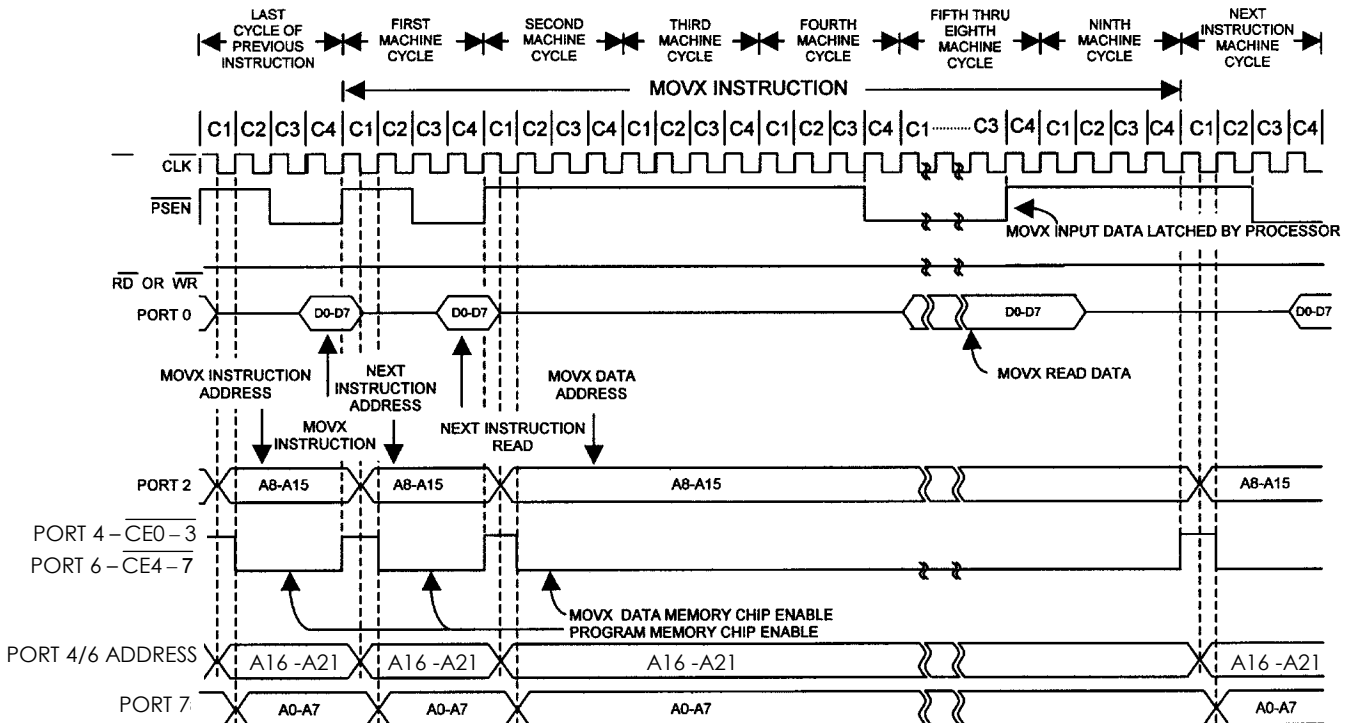
NONMULTIPLEXED, 3-CYCLE DATA MEMORY $\overline{CE0-7}$ WRITE



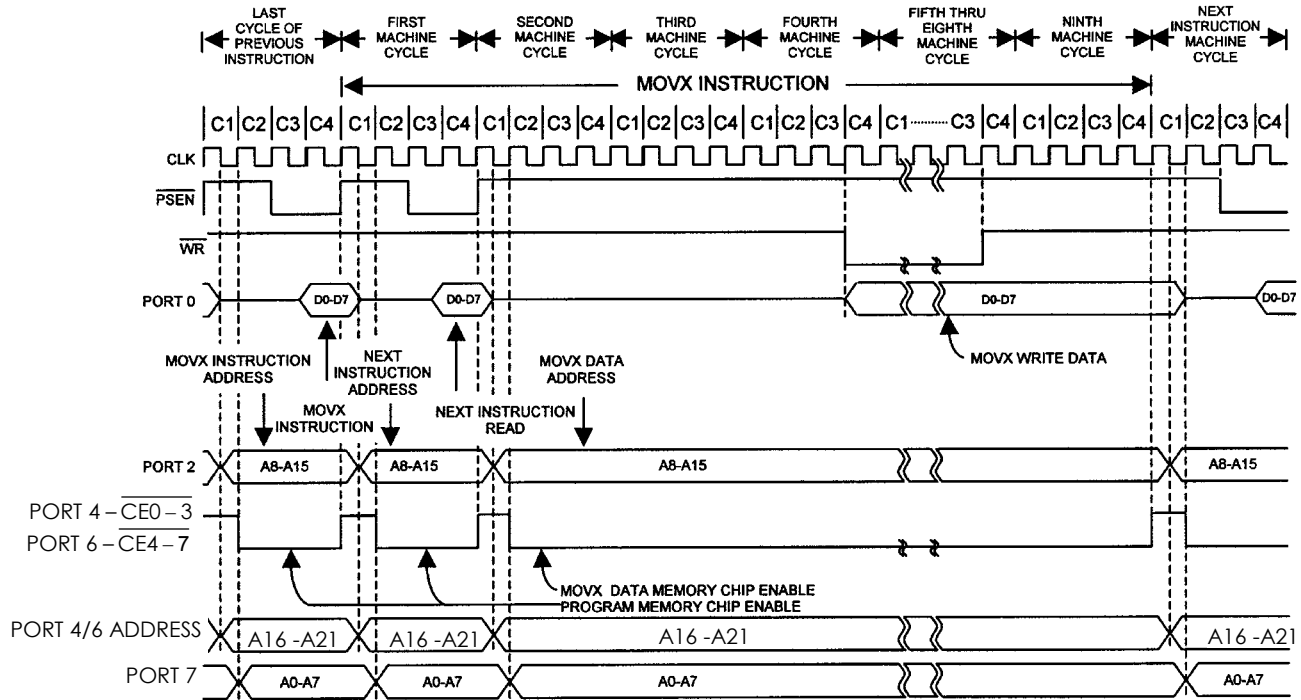
NONMULTIPLEXED, 9-CYCLE DATA MEMORY $\overline{PCE0-3}$ READ OR WRITE



NONMULTIPLEXED, 9-CYCLE DATA MEMORY $\overline{CE0-7}$ READ



NONMULTIPLEXED, 9-CYCLE DATA MEMORY CE0-7 WRITE



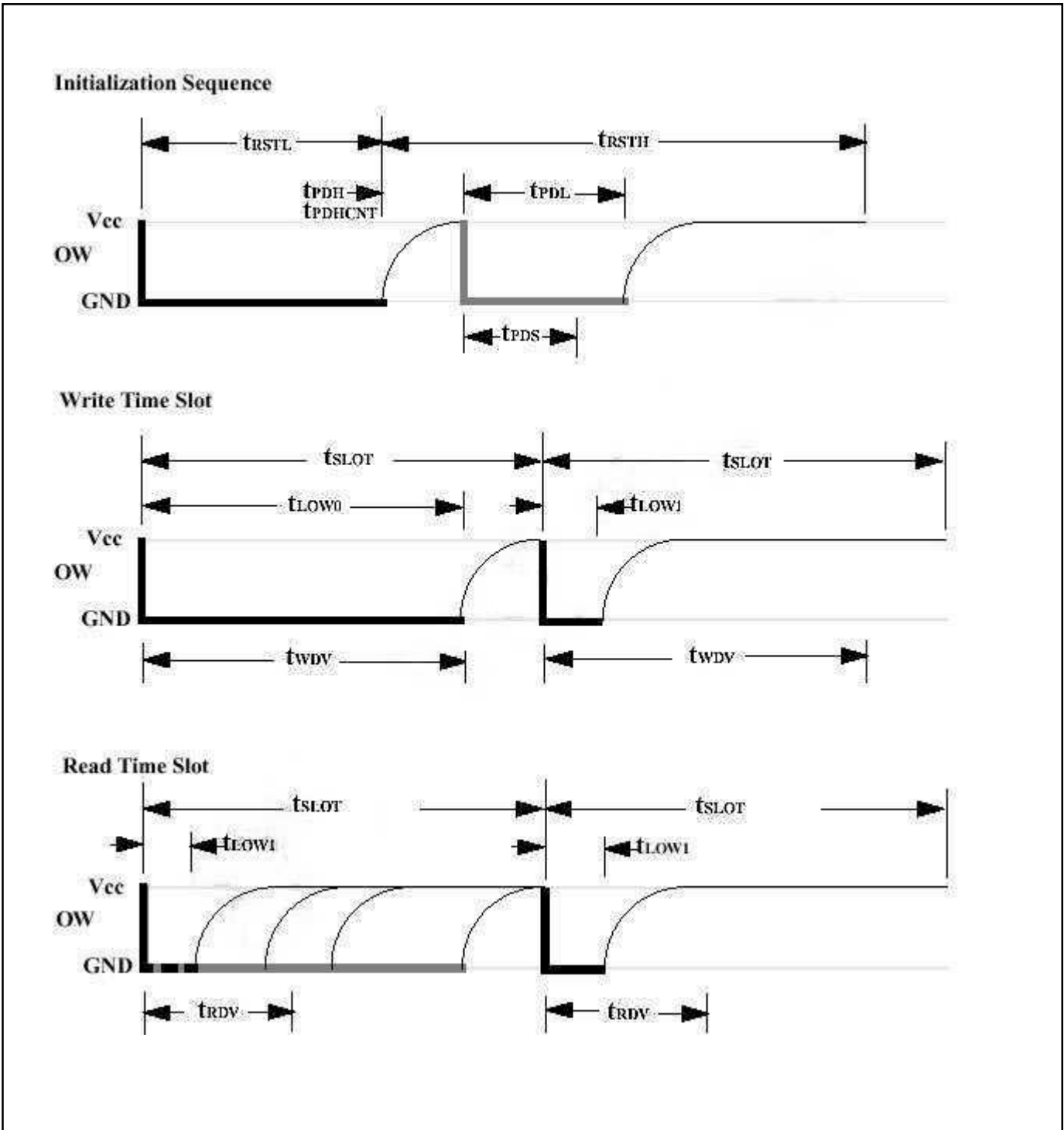
OW PIN TIMING CHARACTERISTICS (Note 1)

($V_{CC3} = 3.0V$ to $3.6V$, $V_{CC1} = 1.8V \pm 10\%$, $T_A = -40^\circ C$ to $+85^\circ C$.)

PARAMETER	SYMBOL	STANDARD		OVERDRIVE		LONGLINE		UNITS
		MIN	MAX	MIN	MAX	MIN	MAX	
Transmit Reset Pulse Low Time (Note 2)	t_{RSTL}	500.8	626	50.4	63	500.8	626	μs
Transmit Reset Pulse High Time (Note 2)	t_{RSTH}	508.8	636	59.2	74	508.8	636	μs
Wait Time for Transmit of Presence Pulse (Notes 2, 3)	t_{PDH}	15	60	2	6	15	60	μs
Wait Time for Absence of Presence Pulse (Notes 2, 4)	t_{PDHCNT}	60	75	6.4	8	60	75	μs
Presence Pulse Width (Note 2)	t_{PDL}	60	240	8	24	60	240	μs
Presence Pulse Sampling Time (Note 2)	t_{PDS}	24	31	2.4	4	30.4	38	μs
Read/Write Data Time Slot	t_{SLOT}	68.8	86	12	15	68.8	86	μs
Low Time for Write 1	t_{LOW1}	4.8	6	0.8	1	7.2	9	μs
Low Time for Write 0	t_{LOW0}	62.4	78	8	10	62.4	78	μs
Write Data Sampling Time	t_{WDV}	15	60	2	6	25	60	μs
Read Data Sampling Time	t_{RDV}	12	15	1.6	2	20	25	μs

- Note 1:** AC electrical characteristics assume 50% duty cycle for the oscillator, oscillator frequency $\leq 75MHz$, and are not 100% production tested, but are guaranteed by design.
- Note 2:** In PMM mode, the master pulls the line low after the first $15\mu s$ for the remainder of the standard speed 1-Wire routine.
- Note 3:** This parameter quantifies the wait time for the slave devices to respond to the reset pulse and is dependent on the slave device timing.
- Note 4:** This parameter quantifies the wait time for the case when no presence pulse detected.
- Note 5:** The maximum timing figures shown apply only when an exact 1-Wire clock frequency can be achieved from the microcontroller input clock.

OW PIN TIMING



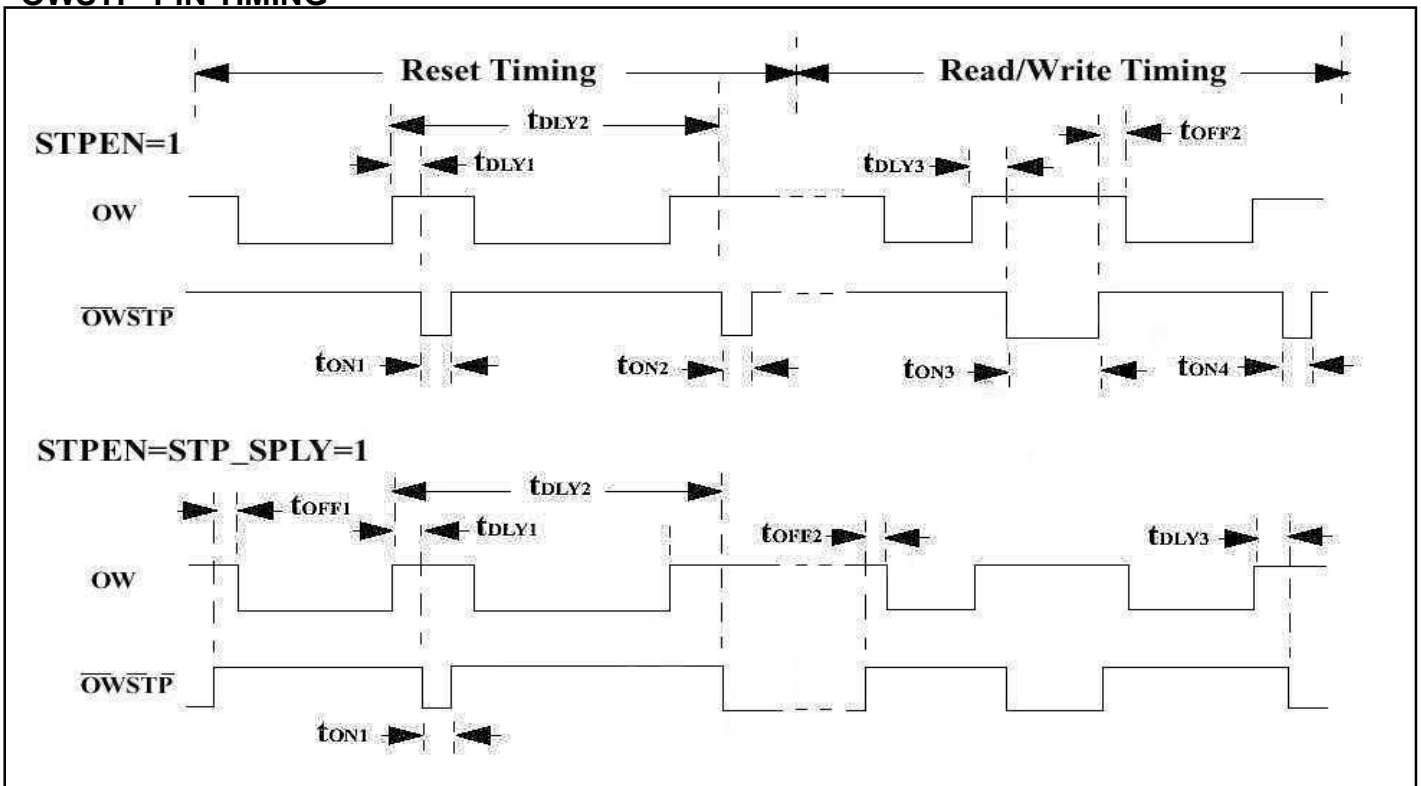
OWSTP PIN TIMING CHARACTERISTICS

($V_{CC3} = 3.0V$ to $3.6V$, $V_{CC1} = 1.8V \pm 10\%$, $T_A = -40^{\circ}C$ to $+85^{\circ}C$.) (Note 1)

PARAMETER	SYMBOL	STANDARD		OVERDRIVE		UNITS
		MIN	MAX	MIN	MAX	
Active Time for Presence Detect	t_{ON1}	6.4	8	0.8	1	μs
Active Time for Presence Detect Recovery	t_{ON2}	8	10	8	10	μs
Active Time for Write 1 Recovery (Notes 2, 3)	t_{ON3}	51.2	64	7.2	9	μs
Active Time for Write 0 Recovery (Notes 2, 3)	t_{ON4}	6.4	8	0.8	1	μs
Delay Time for Presence Detect	t_{DLY1}	0.8	1	0.8	1	μs
Delay Time for Presence Detect Recovery (Note 4)	t_{DLY2}	399.2	499	31.2	39	μs
Delay Time for Write 1/Write 0 Recovery	t_{DLY3}	0.8	1	0.8	1	μs
Turn-Off Time for 1-Wire Reset	t_{OFF1}	1.6	2	1.6	2	μs
Turn-Off Time for Write 1/Write 0 (Note 5)	t_{OFF2}	0.8	1	0.8	1	μs

- Note 1:** AC electrical characteristics assume 50% duty cycle for the oscillator, oscillator frequency $\leq 75MHz$, and are not 100% production tested, but are guaranteed by design.
- Note 2:** There is no \overline{OWSTP} timing difference for sending out and receiving bits within a byte. The difference comes when the last bit of the byte has been completely sent. At this point, the signal is either enabled continuously until the next reset or time slot begins, or enabled only for active time write 1 or write 0.
- Note 3:** When performing a read versus a write time slot, the master provides the same active time for write 1 and write 0. However, the Schmitt-triggered input from the OW line is sensed every $1\mu s$ for a high value. If OW is high, the \overline{OWSTP} signal is enabled. If the OW line is low, the \overline{OWSTP} signal remains disabled until a high state is sensed. In all write time slots, a high is sensed immediately.
- Note 4:** This parameter is the time delay until the master begins to monitor the OW pin level. If the line is already high, then \overline{OWSTP} is enabled. If not, it waits to enable \overline{OWSTP} until the next state machine clock ($1\mu s$ or $50ns$) after the OW line recovers.
- Note 5:** The very first bit in a byte has an extended turn-off time of $4\mu s$ because of the order of states that the 1-Wire master state machine must go through.

OWSTP PIN TIMING



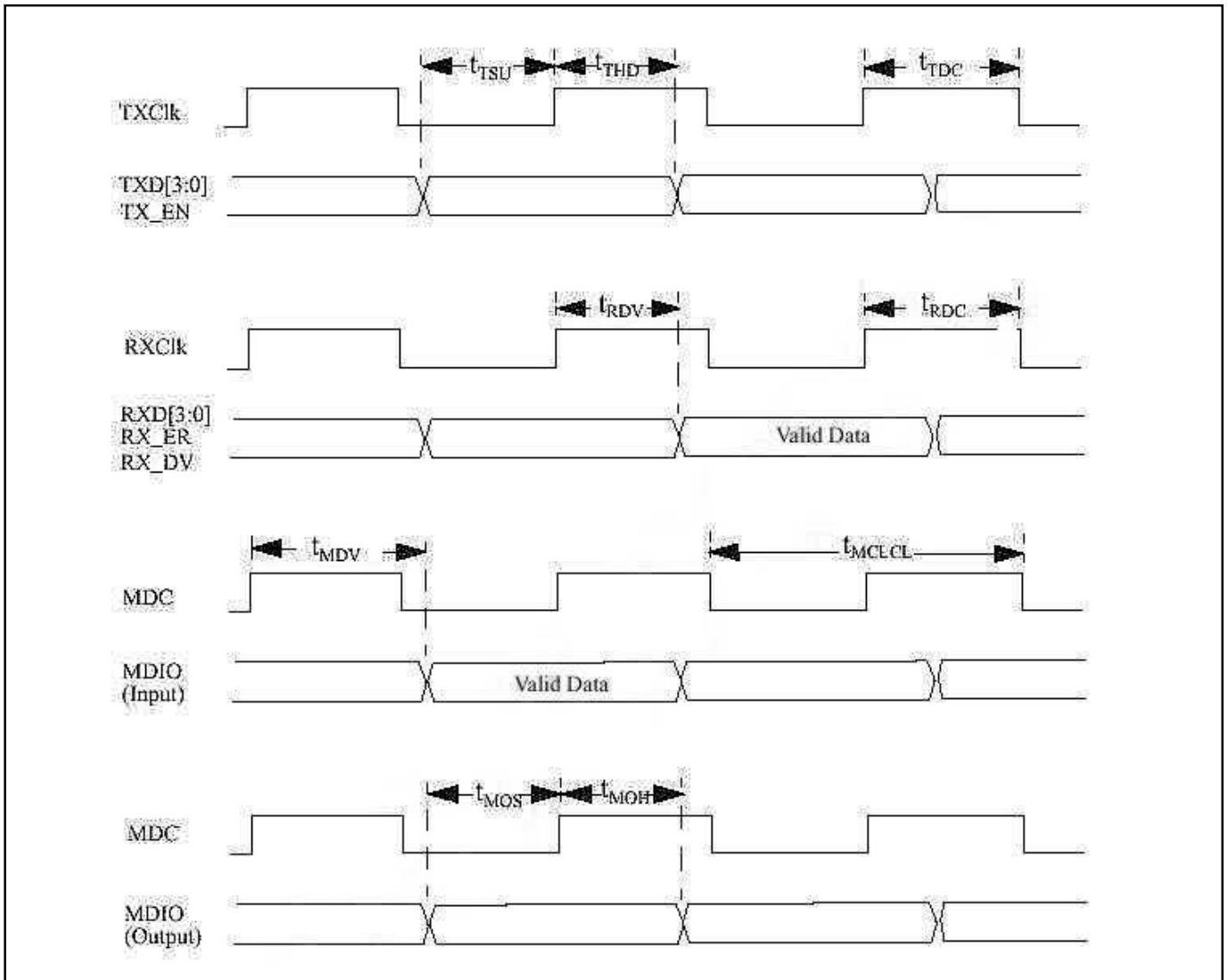
ETHERNET MII INTERFACE TIMING CHARACTERISTICS

($V_{CC3} = 3.0V$ to $3.6V$, $V_{CC1} = 1.8V \pm 10\%$, $T_A = -40^{\circ}C$ to $+85^{\circ}C$.) (Note 1)

PARAMETER	SYMBOL	100Mbps		10Mbps		UNITS
		MIN	MAX	MIN	MAX	
TXClk Duty Cycle	t_{TDC}	14	26	140	260	ns
TXD, TX_EN Data Setup to TXClk	t_{TSU}	10		25		ns
TXD, TX_EN Data Hold from TXClk	t_{THD}	2		2		ns
RXClk Pulse Width	t_{RDC}	14	26	140	260	ns
RXClk to RXD, RX_DV, RX_ER Valid	t_{RDV}	10	30	190	210	ns
MDC Period	t_{MCLCL}	400		400		ns
MDC to Input Data Valid	t_{MDV}		300		300	ns
MDIO Output Data Setup to MDC	t_{MOS}	10		10		ns
MDIO Output Data Hold from MDC	t_{MOH}	10		10		ns

Note 1: AC electrical characteristics assume 50% duty cycle for the oscillator, oscillator frequency $\leq 75MHz$, and are not 100% production tested, but are guaranteed by design.

MII INTERFACE TIMING

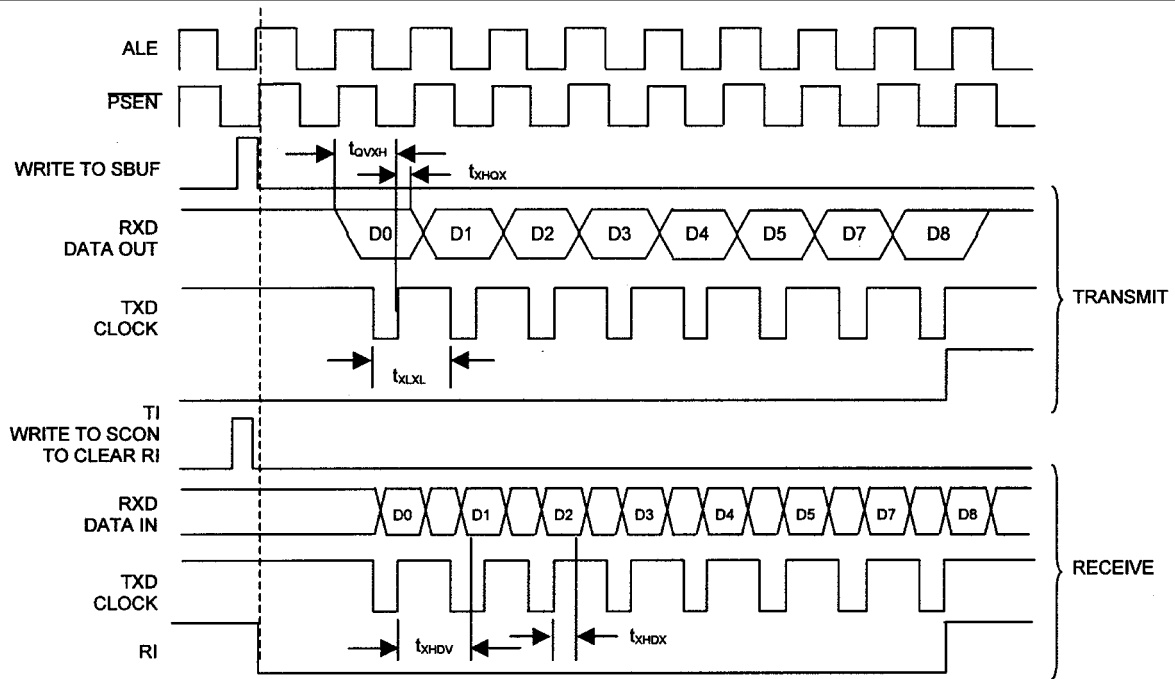


SERIAL PORT MODE 0 TIMING CHARACTERISTICS(V_{CC3} = 3.0V to 3.6V, V_{CC1} = 1.8V ±10%, T_A = -40°C to +85°C.) (Note 1)

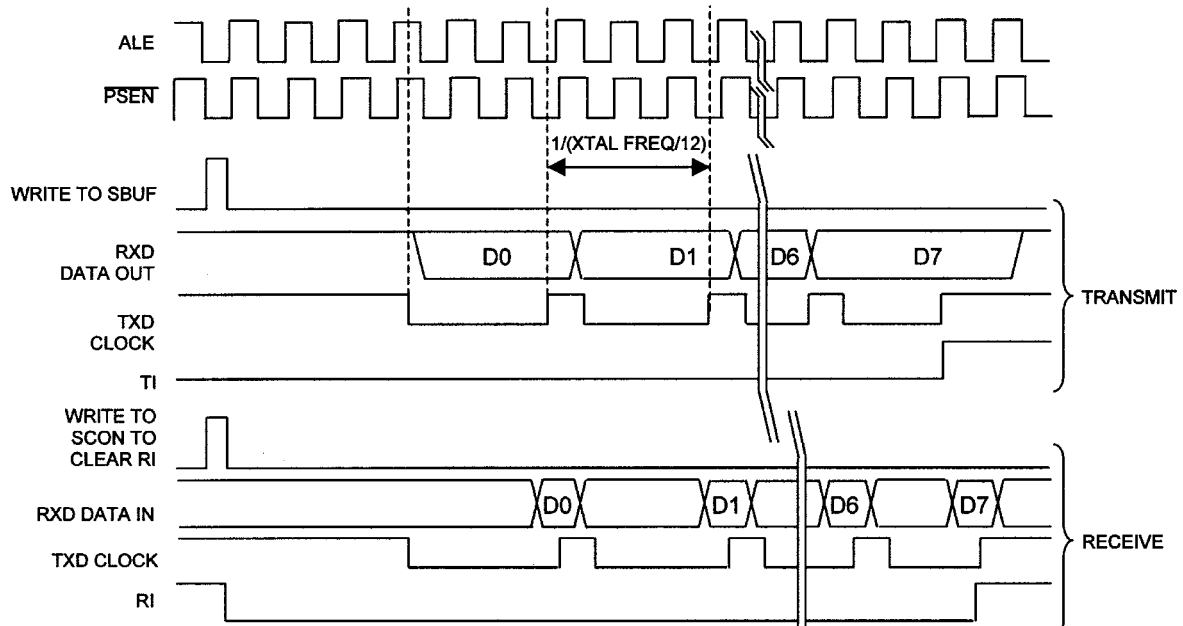
PARAMETER	SYMBOL	CONDITIONS	MIN	TYP	MAX	UNITS
Serial Port Clock Cycle Time	t _{XLXL}	SM2 = 0:12 clocks per cycle		12 t _{CLCL}		ns
		SM2 = 1:4 clocks per cycle		4 t _{CLCL}		
Output Data Setup to Clock Rising	t _{QVXH}	SM2 = 0:12 clocks per cycle	10 t _{CLCL} - 10			ns
		SM2 = 1:4 clocks per cycle	3 t _{CLCL} - 10			
Output Data Hold from Clock Rising	t _{XHQX}	SM2 = 0:12 clocks per cycle			2 t _{CLCL} - 10	ns
		SM2 = 1:4 clocks per cycle			t _{CLCL} - 10	
Input Data Hold After Clock Rising	t _{XHDX}	SM2 = 0:12 clocks per cycle	0			ns
		SM2 = 1:4 clocks per cycle	0			
Clock Rising Edge to Input Data Valid	t _{XHDV}	SM2 = 0:12 clocks per cycle			11 t _{CLCL} - 20	ns
		SM2 = 1:4 clocks per cycle			3 t _{CLCL} - 20	

Note 1: AC electrical characteristics assume 50% duty cycle for the oscillator, oscillator frequency ≤ 75MHz, and are not 100% production tested, but are guaranteed by design.

SERIAL PORT 0 (SYNCHRONOUS MODE)



HIGH-SPEED OPERATION, TXD CLK = SYSCLK/4 (SM2 = 1)



TRADITIONAL 8051 OPERATION, TXD CLOCK = XTAL/12 (SM2 = 0)

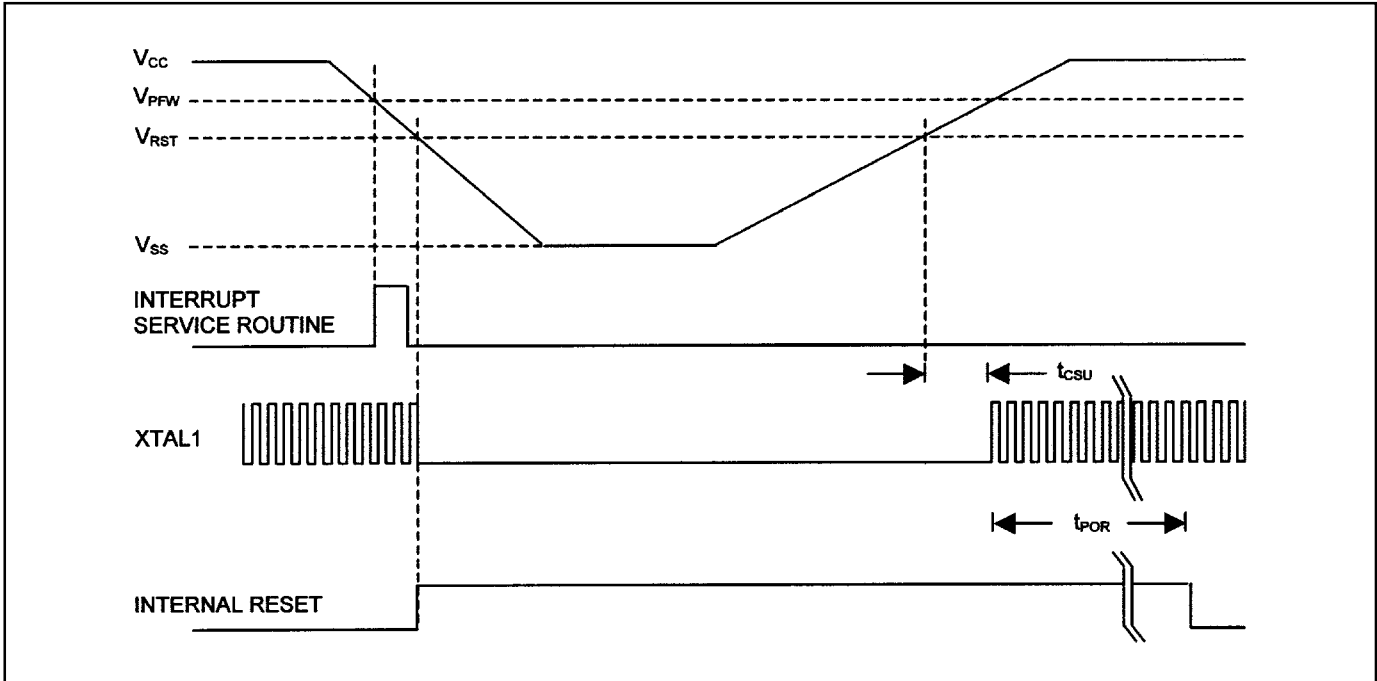
POWER-CYCLE TIMING CHARACTERISTICS

PARAMETER	SYMBOL	MIN	TYP	MAX	UNITS
Crystal Startup Time (Note 1)	t_{CSU}		1.8		ms
Power-On Reset Delay (Note 2)	t_{POR}			65,536	t_{CLK}

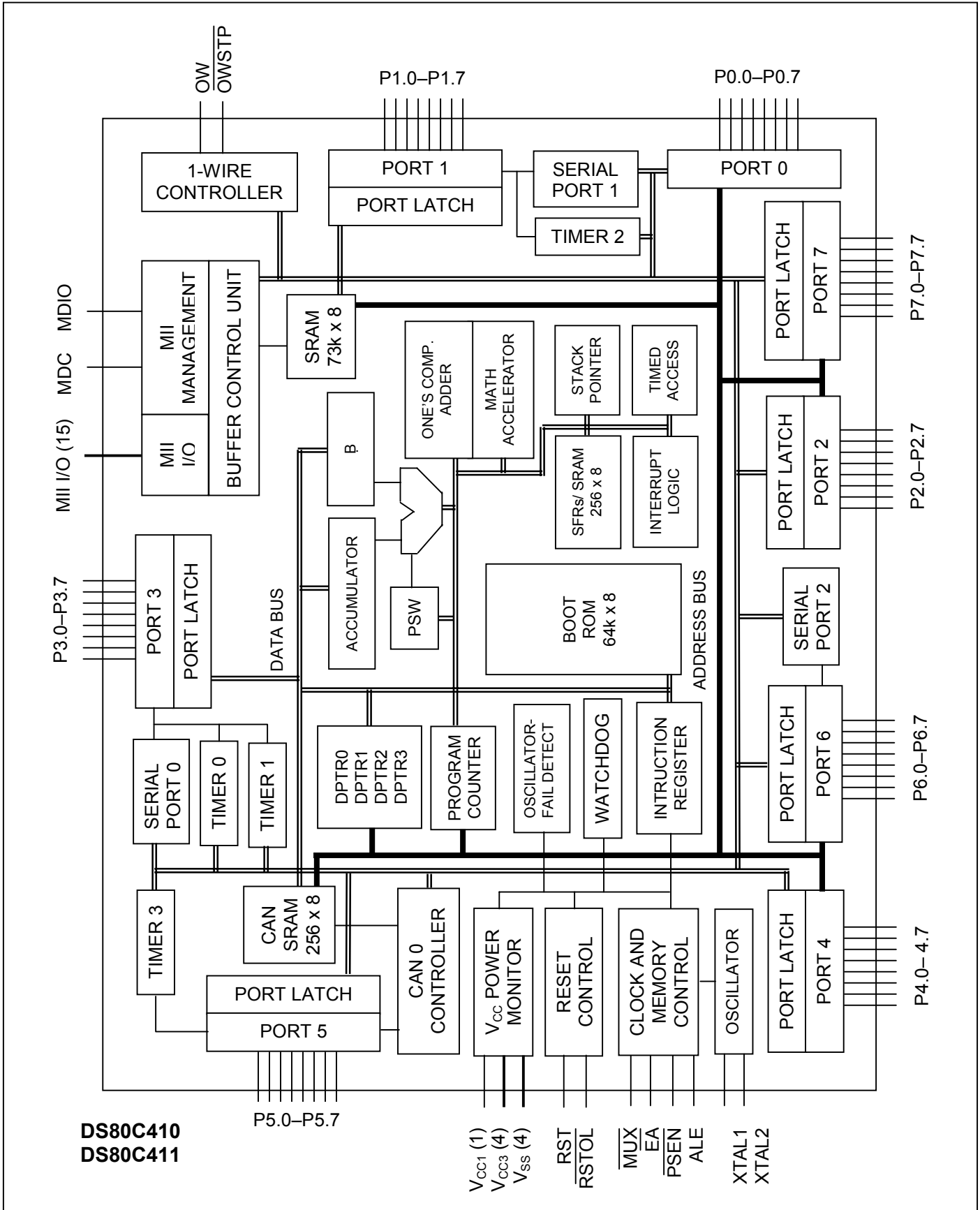
Note 1: Startup time for crystals varies with load capacitance and manufacturer. Time shown is for an 11.0592MHz crystal manufactured by Fox Electronics.

Note 2: Reset delay is a synchronous counter of crystal oscillations during crystal startup. Counting begins when the level on the XTAL1 input meets the V_{IH2} criteria. At 40MHz, this time is approximately 1.64ms.

POWER-CYCLE TIMING



BLOCK DIAGRAM



PIN DESCRIPTION

PIN	NAME	FUNCTION	
70	V _{CC1}	+1.8V Core Supply Voltage	
12, 36, 62, 87	V _{CC3}	+3.3V I/O Supply Voltage	
13, 39, 63, 88	V _{SS}	Digital Circuit Ground	
68	ALE	Address Latch Enable, Output. When the $\overline{\text{MUX}}$ pin is low, this pin outputs a clock to latch the external address LSB from the multiplexed address/data bus on Port 0. This signal is commonly connected to the latch enable of an external transparent latch. ALE has a pulse width of 1.5 XTAL1 cycles and a period of four XTAL1 cycles. When the $\overline{\text{MUX}}$ pin is high, the pin toggles continuously if the ALEOFF bit is cleared. ALE is forced high when the device is in a reset condition or if the ALEOFF bit is set while the $\overline{\text{MUX}}$ pin is high.	
67	$\overline{\text{PSEN}}$	Program Store Enable, Output. This signal is the chip enable for external program or merged program/data memory. $\overline{\text{PSEN}}$ provides an active-low pulse and is driven high when external memory is not being accessed.	
69	$\overline{\text{EA}}$	External Access Enable, Input. Connect to GND to use external program memory. Connect to V _{CC} to use internal ROM.	
40	$\overline{\text{MUX}}$	Multiplex/Demultiplex Select, Input. This pin selects if the address/data bus operates in multiplexed ($\overline{\text{MUX}} = 0$) or demultiplexed ($\overline{\text{MUX}} = 1$) mode. The $\overline{\text{MUX}}$ pin is sampled only on a power-on reset.	
97	RST	Reset, Input. The RST input pin contains a Schmitt voltage input to recognize external active-high reset inputs. The pin also employs an internal pulldown resistor to allow for a combination of wired-OR external-reset sources. An RC circuit is not required for power-up, as the device provides this function internally.	
98	$\overline{\text{RSTOL}}$	Reset Output Low, Output. This active-low signal is asserted when the microcontroller has entered reset through the RST pin; during crystal warm-up period following power-on or stop mode; during a watchdog timer reset; during an oscillator failure (if OFDE = 1); whenever V _{CC1} ≤ V _{RST1} or V _{CC3} ≤ V _{RST3} .	
37	XTAL2	XTAL1, XTAL2. Crystal oscillator pins support fundamental mode, parallel resonant, AT cut crystals. XTAL1 is the input if an external clock source is used in place of a crystal. XTAL2 is the output of the crystal amplifier.	
38	XTAL1		
86	AD0/D0	AD0–7 (Port 0), I/O. When the $\overline{\text{MUX}}$ pin is connected low, Port 0 is the multiplexed address/data bus. While ALE is high, the LSB of a memory address is presented. While ALE falls, the port transitions to a bidirectional data bus. When the $\overline{\text{MUX}}$ pin is connected high, Port 0 functions as the bidirectional data bus. Port 0 cannot be modified by software. The reset condition of Port 0 pins is high. No pullup resistors are needed.	
85	AD1/D1		
84	AD2/D2		
83	AD3/D3		
82	AD4/D4		
81	AD5/D5		
80	AD6/D6		
79	AD7/D7		
			Port Alternate Function P0.0 AD0/D0 (Address)/Data 0 P0.1 AD1/D1 (Address)/Data 1 P0.2 AD2/D2 (Address)/Data 2 P0.3 AD3/D3 (Address)/Data 3 P0.4 AD4/D4 (Address)/Data 4 P0.5 AD5/D5 (Address)/Data 5 P0.6 AD6/D6 (Address)/Data 6 P0.7 AD7/D7 (Address)/Data 7
89	P1.0	Port 1, I/O. Port 1 can function as either an 8-bit, bidirectional I/O port or as an alternate interface for internal resources. The reset condition of Port 1 is all bits at logic 1 through a weak pullup. The logic 1 state also serves as an input mode, since external circuits writing to the port can override the weak pullup. When software clears any port pin to 0, a strong pulldown is activated that remains on until either a 1 is written to the port pin or a reset occurs. Writing a 1 after the port has been at 0 activates a strong transition driver, followed by a weaker sustaining pullup. Once the momentary strong driver turns off, the port once again becomes the output (and input) high state.	
90	P1.1		
91	P1.2		
92	P1.3		
93	P1.4		
94	P1.5		
95	P1.6		
96	P1.7		
		Port Alternate Function P1.0 T2 External I/O for Timer/Counter 2 P1.1 T2EX Timer/Counter 2 Capture/Reload Trigger P1.2 RXD1 Serial Port 1 Receive P1.3 TXD1 Serial Port 1 Transmit P1.4 INT2 External Interrupt 2 (Positive Edge Detect) P1.5 INT3 External Interrupt 3 (Negative Edge Detect) P1.6 INT4 External Interrupt 4 (Positive Edge Detect) P1.7 INT5 External Interrupt 5 (Negative Edge Detect)	
66	A8	A15–A8 (Port 2), Output. Port 2 serves as the MSB for external addressing. The port automatically asserts the address MSB during external ROM and RAM access. Although the Port 2 SFR exists, the SFR value never appears on the pins (due to memory access). Therefore, accessing the Port 2 SFR is only useful for MOVX A, @Ri or MOVX @Ri, A instructions, which use the Port 2 SFR as the external address MSB.	
65	A9		
64	A10		
61	A11		
60	A12		
			Port Alternate Function P2.0 A8 Program/Data Memory Address 8 P2.1 A9 Program/Data Memory Address 9 P2.2 A10 Program/Data Memory Address 10 P2.3 A11 Program/Data Memory Address 11
59	A13		

PIN	NAME	FUNCTION
58	A14	P2.4 A12 Program/Data Memory Address 12
57	A15	P2.5 A13 Program/Data Memory Address 13 P2.6 A14 Program/Data Memory Address 14 P2.7 A15 Program/Data Memory Address 15
20	P3.0	<p>Port 3, I/O. Port 3 functions as an 8-bit, bidirectional I/O port, and as an alternate interface for several resources found on the traditional 8051. The reset condition of Port 3 is all bits at logic 1 through a weak pullup. The logic 1 state also serves as an input mode, since external circuits writing to the port can override the weak pullup. When software clears any port pin to 0, the device activates a strong pulldown that remains on until either a 1 is written to the port pin or a reset occurs. Writing a 1 after the port has been at 0 activates a strong transition driver, followed by a weaker sustaining pullup. Once the momentary strong driver turns off, the port once again becomes the output (and input) high state.</p> <p>Port Alternate Function P3.0 RXD0 Serial Port 0 Receive P3.1 TXD0 Serial Port 0 Transmit P3.2 $\overline{\text{INT0}}$ External Interrupt 0 P3.3 $\overline{\text{INT1}}$ External Interrupt 1 P3.4 T0 Timer 0 External Input P3.5 T1/CLKO Timer 1 External Input/External Clock Output P3.6 $\overline{\text{WR}}$ External Data Memory Write Strobe P3.7 $\overline{\text{RD}}$ External Data Memory Read Strobe</p>
21	P3.1	
22	P3.2	
23	P3.3	
24	P3.4	
25	P3.5	
26	P3.6	
27	P3.7	
48	P4.0	<p>Port 4, I/O. Port 4 can function as an 8-bit, bidirectional I/O port, and as the source for external address and chip-enable signals for program and data memory. Port pins are configured as I/O or memory signals through the P4CNT register. The reset condition of Port 4 is all bits at logic 1 through a weak pullup. The logic 1 state also serves as an input mode, since external circuits writing to the port can override the weak pullup. When software clears any port pin to 0, the device activates a strong pulldown that remains on until either a 1 is written to the port pin or a reset occurs. Writing a 1 after the port has been at 0 activates a strong transition driver, followed by a weaker sustaining pullup. Once the momentary strong driver turns off, the port once again becomes the output (and input) high state.</p> <p>Port Alternate Function P4.0 $\overline{\text{CE0}}$ Program Memory Chip Enable 0 P4.1 $\overline{\text{CE1}}$ Program Memory Chip Enable 1 P4.2 $\overline{\text{CE2}}$ Program Memory Chip Enable 2 P4.3 $\overline{\text{CE3}}$ Program Memory Chip Enable 3 P4.4 A16 Program/Data Memory Address 16 P4.5 A17 Program/Data Memory Address 17 P4.6 A18 Program/Data Memory Address 18 P4.7 A19 Program/Data Memory Address 19</p>
47	P4.1	
46	P4.2	
45	P4.3	
44	P4.4	
43	P4.5	
42	P4.6	
41	P4.7	
35	P5.0	<p>Port 5, I/O. Port 5 can function as an 8-bit, bidirectional I/O port, the CAN interface, Timer 3 input, and/or as peripheral-enable signals. The reset condition of Port 5 is all bits at logic 1 through a weak pullup. The logic 1 state also serves as an input mode, since external circuits writing to the port can override the weak pullup. When software clears any port pin to 0, the device activates a strong pulldown that remains on until either a 1 is written to the port pin or a reset occurs. Writing a 1 after the port has been at 0 activates a strong transition driver, followed by a weaker sustaining pullup. Once the momentary strong driver turns off, the port once again becomes the output (and input) high state.</p> <p>Port Alternate Function P5.0 C0TX CAN0 Transmit Output – Unavailable on DS80C411 P5.1 C0RX CAN0 Receive Input – Unavailable on DS80C411 P5.2 T3 Timer 3 External Input P5.3 None P5.4 $\overline{\text{PCE0}}$ Peripheral Chip Enable 0 P5.5 $\overline{\text{PCE1}}$ Peripheral Chip Enable 1 P5.6 $\overline{\text{PCE2}}$ Peripheral Chip Enable 2 P5.7 $\overline{\text{PCE3}}$ Peripheral Chip Enable 3</p>
34	P5.1	
33	P5.2	
32	P5.3	
31	P5.4	
30	P5.5	
29	P5.6	
28	P5.7	
56	P6.0	<p>Port 6, I/O. Port 6 can function as an 8-bit, bidirectional I/O port, as program and data memory address/chip-enable signals, and/or a third serial port. The reset condition of Port 6 is all bits at logic 1 through a weak pullup. The logic 1 state also serves as an input mode, since external circuits writing to the port can override the weak pullup. When software clears any port pin to 0, the device activates a strong pulldown that remains on until either a 1 is written to the port pin or a reset occurs. Writing a 1 after the port has been at 0 activates a strong transition driver, followed by a weaker sustaining pullup. Once the momentary strong driver turns off, the port once again becomes the output (and input) high state.</p> <p>Port Alternate Function P6.0 $\overline{\text{CE4}}$ Program Memory Chip Enable 4 P6.1 $\overline{\text{CE5}}$ Program Memory Chip Enable 5 P6.2 $\overline{\text{CE6}}$ Program Memory Chip Enable 6</p>
55	P6.1	
54	P6.2	
53	P6.3	
52	P6.4	
51	P6.5	

PIN	NAME	FUNCTION
50	P6.6	P6.3 $\overline{CE7}$ Program Memory Chip Enable 7 P6.4 A20 Program/Data Memory Address 20
49	P6.7	P6.5 A21 Program/Data Memory Address 21 P6.6 RXD2 Serial Port 2 Receive P6.7 TXD2 Serial Port 2 Transmit
78	A0	<p>Port 7, I/O. Port 7 can function as either an 8-bit, bidirectional I/O port or the nonmultiplexed A0–A7 signals (when the MUX pin = 1). The reset condition of Port 7 is all bits at logic 1 through a weak pullup. The logic 1 state also serves as an input mode, since external circuits writing to the port can override the weak pullup. When software clears any port pin to 0, a strong pulldown is activated that remains on until either a 1 is written to the port pin or a reset occurs. Writing a 1 after the port has been at 0 activates a strong transition driver, followed by a weaker sustaining pullup. Once the momentary strong driver turns off, the port once again becomes the output (and input) high state.</p> <p>Port Alternate Function</p>
77	A1	
76	A2	
75	A3	
74	A4	
73	A5	
72	A6	
71	A7	
8	TXClk	Transmit Clock, Input. The transmit clock is a continuous clock sourced from the Ethernet PHY controller. It is used to provide timing reference for transferring of TX_EN and TXD[3:0] signals from the MAC to the external Ethernet PHY controller. The input clock frequency of TXClk should be 25MHz for 100Mbps operation and 2.5MHz for 10Mbps operation. For ENDEC operation, TXClk serves the same function, but the input clock frequency should be 10MHz.
7	TX_EN	Transmit Enable, Output. The transmit enable is an active-high output and is synchronous with respect to the TXClk signal. TX_EN is used to indicate valid nibbles of data for transmission on the MII pins TXD.3–TXD.0. TX_EN is asserted with the first nibble of the preamble and remains asserted while all nibbles to be transmitted are presented on the TXD.3–TXD.0 pins. TX_EN negates prior to the first TXClk following the final nibble of the frame. TX_EN serves the same function for ENDEC operation.
3	TXD.3	<p>Transmit Data, Output. The transmit data outputs provide 4-bit nibbles of data for transmission over the MII. The transmit data is synchronous with respect to the TXClk signal. For each TXClk period when TX_EN is asserted, TXD.3–TXD.0 provides the data for transmission to the Ethernet PHY controller. When TX_EN is deasserted, the TXD data should be ignored. For ENDEC operation, only TXD.0 is used for transmission of frames.</p>
4	TXD.2	
5	TXD.1	
6	TXD.0	
10	RXClk	Receive Clock, Input. The receive clock is a continuous clock sourced from the Ethernet PHY controller. It is used to provide timing reference for transferring of RX_DV, RX_ER, and RXD[3:0] signals from the external Ethernet PHY controller to the MAC. The input clock frequency of RXClk should be 25MHz for 100Mbps operation and 2.5MHz for 10Mbps operation. For ENDEC operation, RXClk serves the same function, but the input clock frequency should be 10MHz.
11	RX_DV	Receive Data Valid, Input. The receive data valid is an active-high input from the external Ethernet PHY controller and is synchronous with respect to the RXClk signal. RX_DV is used to indicate valid nibbles of data for reception on the MII pins RXD.3–RXD.0. RX_DV is asserted continuously from the first nibble of the frame through the final nibble. RX_DV negates prior to the first RXClk following the final nibble. RX_DV serves the same function for ENDEC operation.
9	RX_ER	Receive Error, Input. The receive error is an active-high input from the external Ethernet PHY controller and is synchronous with respect to the RXClk signal. RX_ER is used to indicate to the MAC that an error (e.g., a coding error, or any error detectable by the PHY) was detected somewhere in the frame presently being transmitted by the PHY. RX_ER has no effect on the MAC while RX_DV is deasserted. RX_ER should be low for ENDEC operation.
17	RXD.3	<p>Receive Data, Input. The receive data inputs provide 4-bit nibbles of data for reception over the MII. The receive data is synchronous with respect to the RXClk signal. For each RXClk period when RX_DV is asserted, RXD.3–RXD.0 have the data to be received by the MAC. When RX_DV is deasserted, the RXD data should be ignored. For ENDEC operation, only RXD.0 is used for reception of frames.</p>
16	RXD.2	
15	RXD.1	
14	RXD.0	
1	CRS	Carrier Sense, Input. The carrier sense signal is an active-high input and should be asserted by the external Ethernet PHY controller when either the transmit or receive medium is not idle. CRS should be deasserted by the PHY when the transmit and receive mediums are idle. The PHY should ensure that the CRS signal remains asserted throughout the duration of a collision condition. The transitions on the CRS signal need not be synchronous to TXClk or RXClk. CRS serves the same function for ENDEC operation.
2	COL	Collision Detect, Input. The collision detect signal is an active-high input and should be asserted by the external Ethernet PHY controller upon detection of a collision on the medium. The PHY should ensure that COL remains asserted while the collision condition persists. The transitions on the COL signal need not be synchronous to TXClk or RXClk. The COL signal is ignored by the MAC when operating in full-duplex mode. COL serves the same function for ENDEC operation.
18	MDC	MII Management Clock, Output. The MII management clock is generated by the MAC for use by the external Ethernet PHY controller as a timing referenced for transferring information on the MDIO pin. MDC is a periodic signal that has no maximum high or low times. The minimum high and low times are 160ns each. The minimum period for MDC is 400ns independent of the period of TXClk and RXClk.

PIN	NAME	FUNCTION
19	MDIO	MII Management Input/Output. The MII management I/O is the data pin for serial communication with the external Ethernet PHY controller. In a read cycle, data is driven by the PHY to the MAC synchronously with respect to the MDC clock. In a write cycle, data from the MAC is output to the external PHY synchronously with respect to the MDC clock.
99	OW	1-Wire Data, I/O. The 1-Wire data pin is an open-drain, bidirectional data bus for the 1-Wire Bus Master. External 1-Wire slave devices are connected to this pin. This pin must be pulled high by an external resistor, normally 2.2k Ω .
100	$\overline{\text{OWSTP}}$	Strong Pullup Enable, Output. This 1-Wire pin is an open-drain active-low output used to enable an external strong pullup for the 1-Wire bus. This pin must be pulled high by an external resistor, normally 10k Ω . This functionality helps recovery times when the 1-Wire bus is operated in overdrive and long-line standard communication modes. It can optionally be enabled while the bus master is in the idle state for slave devices requiring sustained high-current operation.

FEATURES (continued)

- **Full-Function CAN 2.0B Controller**
 - 15 Message Centers
 - Supports Standard (11-Bit) and Extended (29-Bit) Identifiers and Global Masks
 - Media Byte Filtering to Support DeviceNet™, SDS, and Higher Layer CAN Protocols
 - Auto-Baud Mode and SIESTA Low-Power Mode
- **Integrated Primary System Logic**
 - 16 Total Interrupt Sources with Six External
 - Four 16-Bit Timer/Counters
 - 2x/4x Clock Multiplier Reduces Electromagnetic Interference (EMI)
 - Programmable Watchdog Timer
 - Oscillator-Fail Detection
 - Programmable IrDA Clock
- **Advanced Power Management**
 - Energy Saving 1.8V Core
 - 3.3V I/O Operation, 5V Tolerant
 - Power-Management, Idle, and Stop Mode Operations with Switchback Feature
 - Ethernet and CAN Shutdown Control for Power Conservation
 - Early Warning Power-Fail Interrupt
 - Power-Fail Reset
- **Enhanced Memory Architecture**
 - Selectable 8/10-Bit Stack Pointer for High-Level Language Support
 - 64kBytes Additional On-Chip SRAM Usable as Program/Data Memory
 - 16-Bit/24-Bit Paged/24-Bit Contiguous Modes
 - Selectable Multiplexed/Nonmultiplexed External Memory Interface
 - Merged Program/Data Memory Space Allows In-System Programming
 - Defaults to True 8051-Memory Compatibility

DeviceNet is a trademark of Open DeviceNet Vendor Association, Inc.

TERMINOLOGY

The term DS80C410 is used in the remainder of the document to refer to the DS80C410 and DS80C411 unless otherwise specified.

DETAILED DESCRIPTION

The DS80C410 network microcontroller offers the highest integration available in an 8051 device. Peripherals include a 10/100 Ethernet MAC, three serial ports, an optional CAN 2.0B controller, 1-Wire Master, and 64 I/O pins. To enable access to the network, a full application-accessible TCP IPv4/6 network stack and OS are provided in ROM. The network stack supports up to 32 simultaneous TCP connections and can transfer up to 5Mbps through the Ethernet MAC. Its maximum system-clock frequency of 75MHz results in a minimum instruction cycle time of 54ns. Access to large program or data memory areas is simplified with a 24-bit addressing scheme that supports up to 16MB of contiguous memory. To accelerate data transfers between the microcontroller and memory, the DS80C410 provides four data pointers, each of which can be configured to automatically increment or decrement upon execution of certain data pointer-related instructions. The DS80C410's hardware math accelerator further increases the speed of 32-bit and 16-bit multiply and divide operations as well as high-speed shift, normalization, and accumulate functions.

With extensive networking and I/O capabilities, the DS80C410 is equipped to serve as a central controller in a multitiered network. The 10/100 Ethernet media access controller (MAC) enables the DS80C410 to access and communicate over the Internet. While maintaining a presence on the Internet, the microcontroller can actively control lower tier networks with dedicated on-chip hardware. These hardware resources include a full CAN 2.0B controller, a 1-Wire net controller, three full-duplex serial ports, and eight 8-bit ports (up to 64 digital I/O pins).

Instant connectivity and networking support are provided through an embedded 64kB ROM. This ROM contains firmware to perform a network boot over an Ethernet connection using DHCP in conjunction with TFTP. The ROM firmware realizes a full, application-accessible TCP/IP stack, supporting both IPv4 and IPv6, and implements UDP, TCP, DHCP, ICMP, and IGMP. In addition, a priority-based, preemptive task scheduler is also included. The firmware has been structured so that a MAC address can optionally be acquired from an IEEE-registered DS2502-E48.

The 10/100 Ethernet MAC featured on the DS80C410 complies with both the IEEE 802.3 MII and ENDEC PHY interface standards. The MII interface supports 10/100Mbps bus operation, while the ENDEC interface supports 10Mbps operation. The MAC has been designed for low-power standard operation and can optionally be placed into an ultra-low-power sleep mode, to be awakened manually or by detection of a Magic Packet or wake-up frame. Incorporating a buffer control unit reduces the burden of Ethernet traffic on the CPU. This unit, after initial configuration through an SFR interface, manages all Tx/Rx packet activity and status reporting through an on-chip 8kB SRAM. To further reduce host (DS80C410) software intervention, the MAC can be set up to generate a hardware interrupt following each transmit or receive status report. The DS80C410 MAC can be operated in half-duplex or full-duplex mode with flow control, and provides multicast/broadcast-address filtering modes as well as VLAN tag-recognition capability.

The DS80C410 features a full-function CAN 2.0B controller. The DS80C411 does not include this peripheral. This controller provides 15 total message centers, 14 of which can be configured as either transmit or receive buffers and one that can serve as a receive double buffer. The device supports standard 11-bit or 29-extended message identifiers, and offers two separate 8-bit media masks and media arbitration fields to support the use of higher-level CAN protocols such as DeviceNet and SDS. A special auto-baud mode allows the CAN controller to quickly determine required bus timing when inserted into a new network. A SIESTA sleep mode has been made available for times when the CAN controller can be placed into a power-saving mode.

The DS80C410 has resources that far exceed those normally provided on a standard 8-bit microcontroller. Many functions, which might exist as peripheral circuits to a microcontroller, have been integrated into the DS80C410. Some of the integrated functions of the DS80C410 include 16 interrupt sources (six external), four timer/counters, a programmable watchdog timer, a programmable IrDA output clock, an oscillator-fail detection circuit, and an internal 2X/4X clock multiplier. This frequency multiplier allows the microcontroller to operate at full speed with a reduced crystal frequency, reducing EMI.

Advanced power-management support positions the DS80C410 for portable and power-conscious applications. The low-voltage microcontroller core runs from a 1.8V supply while the I/O remains 5V tolerant, operating from a 3.3V supply. A power-management mode (PMM) allows software to switch from the standard machine cycle rate of

4 clocks per cycle to 1024 clocks per cycle. For example, 40MHz standard operation has a machine cycle rate of 10MHz. In PMM, at the same external clock speed, software can select a 39kHz machine cycle rate, considerably reducing power consumption. The microcontroller can be configured to automatically switch back from PMM to the faster mode in response to external interrupts or serial port activity. The DS80C410 provides the ability to place the CPU into an idle state or an ultra-low-power stop-mode state. As protection against brownout and power-fail conditions, the microcontroller is capable of issuing an early warning power-fail interrupt and can generate a power-fail reset.

When the internal ROM is disabled, the DS80C410 defaults to true 8051-memory compatibility on power up. However, the microcontroller is most powerful when taking advantage of its enhanced memory architecture. The DS80C410 has a selectable 10-bit stack pointer that can address up to 1kB of on-chip SRAM stack space for increased code efficiency. It can be operated in a 24-bit paged or 24-bit contiguous address mode, giving access to a much larger address range than the standard 16-bit address mode. Support for merged program and data memory access allows in-system programming, and it can be configured to internally demultiplex data and the lowest address byte, thereby eliminating the need for an external latch and potentially allowing the use of slower memory devices.

80C32 COMPATIBILITY

The DS80C410 is a CMOS 80C32-compatible microcontroller designed for high performance. Every effort has been made to keep the core device familiar to 80C32 users while adding many enhanced features. The DS80C410 provides the same timer/counter resources, full duplex serial port, 256 Bytes of scratchpad RAM, and I/O ports as the standard 80C32. Timers default to 12 oscillator clocks per tick operation to keep timing compatible with original 8051 systems. New hardware functions are accessed using special function registers (SFRs) that do not overlap with standard 80C32 locations. All instructions perform exactly the same functions as their 8051 counterparts. Their effect on bits, flags, and other status functions is identical. Because the device runs the standard 8051 instruction set, in general, software written for existing 80C32-based systems work on the DS80C410. The primary exceptions are related to timing-critical issues, since the high-performance core of the microcontroller executes instructions much faster than the original, both in absolute and relative number of clocks.

The relative time of two DS80C410 instructions might differ from the traditional 8051. For example, in the original architecture the “MOVX A, @DPTR” instruction and the “MOV direct, direct” instruction required the same amount of time: two machine cycles or 24 oscillator cycles. In its default configuration (machine cycle = 4 oscillator cycles), the DS80C410 executes the “MOVX A, @DPTR” instruction in as little as two machine cycles or 8 oscillator cycles, but the “MOV direct, direct” uses three machine cycles or 12 oscillator cycles. While both are faster than their original counterparts, they now have different execution times. Examine the timing of each instruction for familiarity with the changes. Note that a machine cycle now requires just 4 clocks, and provides one ALE pulse per cycle. Most instructions require only one or two cycles, but some require as many as four or five. Refer to the *High-Speed Microcontroller User's Guide* and the *High-Speed Microcontroller User's Guide: Network Microcontroller Supplement* for individual instruction-timing details and for calculating the absolute timing of software loops. Also remember that the counter/timers default to run at the traditional 12 clocks per increment. This means that timer-based events still occur at the standard intervals, but that code now executes at a higher speed relative to the timers. Timers optionally can be configured to run at the faster 4 clocks per increment to take advantage of faster controller operation.

Memory interfacing can be performed identically to the standard 80C32. The high-speed nature of the DS80C410 core slightly changes the interface timing, and designers are advised to consult the timing diagrams in this data sheet for more information.

This data sheet provides only a summary and overview of the DS80C410. Detailed descriptions are available in the corresponding user's guide. This data sheet assumes a familiarity with the architecture of the standard 80C32. In addition to the basic features of that device, the DS80C410 incorporates many new features.

PERFORMANCE OVERVIEW

The DS80C410's higher performance comes not just from increasing the clock frequency but also from a more efficient design. This updated core removes the dummy memory cycles that are present in a standard, 12 clock-per-machine cycle 8051. In the DS80C410, a machine cycle requires only 4 clocks. Thus the fastest instruction, 1 machine cycle in duration, executes three times faster for the same crystal frequency. The majority of instructions

on the DS80C410 experience a 3-to-1 speed improvement, while a few execute between 1.5 and 2.4 times faster. One instruction, INC DPTR, actually executes in fewer machine cycles (1 machine cycle vs. 2 machine cycles originally required), thus it sees a 6X throughput improvement over the original 8051. Regardless of specific performance improvements, all instructions are faster than the original 8051.

Improvement of individual programs depends on the actual mix of instructions used. Speed-sensitive applications should make the most use of instructions that are at least three times faster. However, given the large number of 3-to-1 improved op codes, dramatic speed improvements are likely for any arbitrary combination of instructions. The core architectural improvements and the submicron-CMOS design result in a peak instruction cycle of 54ns (18.75 million instructions per second, i.e., MIPS). To further increase performance, auto-increment/decrement and auto-toggle enhancements have been implemented for the quad data pointer to allow the user to eliminate wasted instructions when moving blocks of memory.

SPECIAL FUNCTION REGISTERS (SFRS)

SFRs control most special features of the microcontroller. They allow the device to have many new features but use the standard 8051 instruction set. When writing software to use a new feature, an equate statement defines the SFR to the assembler or compiler. This is the only change needed to access the new function. The DS80C410 duplicates the SFRs contained in the standard 80C32. [Table 1](#) shows the register addresses and bit locations. The *High-Speed Microcontroller User's Guide: Network Microcontroller Supplement* contains a full description of all SFRs.

Bits that are related to the CAN module become read-only bits on the DS80C411, returning logic 1 when read. Exceptions to this are:

- C0_I/O (P5CNT.3) is a general-purpose read/write bit on the DS80C411, but it has no effect on processor operation.
- CAN0BA (P5CNT.6) has the same operation as on the DS80C400.
- C0BPR6 (COR.3) is a general-purpose read/write bit on the DS80C411, but is has no effect on processor operation.
- C0BPR7 (COR.4) is a general-purpose read/write bit on the DS80C411, but is has no effect on processor operation.
- C0IE (EIE.6) is a general-purpose read/write bit on the DS80C411, but is has no effect on processor operation.
- C0IP (IEP.6) is a general-purpose read/write bit on the DS80C411, but is has no effect on processor operation.

Table 1. SFR Addresses and Bit Locations

REGISTER	BIT 7	BIT 6	BIT 5	BIT 4	BIT 3	BIT 2	BIT 1	BIT 0	ADDRESS
P4	P4.7/A19	P4.6/A18	P4.5/A17	P4.4/A16	P4.3/CE3	P4.2/CE2	P4.1/CE1	P4.0/CE0	80h
SP									81h
DPL									82h
DPH									83h
DPL1									84h
DPH1									85h
DPS	ID1	ID0	TSL	AID	SEL1	—	—	SEL0	86h
PCON	SMOD_0	SMOD0	OFDF	OFDE	GF1	GF0	STOP	IDLE	87h
TCON	TF1	TR1	TF0	TR0	IE1	IT1	IE0	IT0	88h
TMOD	GATE	C/ \bar{T}	M1	M0	GATE	C/ \bar{T}	M1	M0	89h
TL0									8Ah
TL1									8Bh
TH0									8Ch
TH1									8Dh
CKCON	WD1	WD0	T2M	T1M	T0M	MD2	MD1	MD0	8Eh
P1	P1.7/INT5	P1.6/INT4	P1.5/INT3	P1.4/INT2	P1.3/TXD	P1.2/RXD1	P1.1/T2EX	P1.0/T2	90h
EXIF	IE5	IE4	IE3	IE2	CKRY	RGMD	RGSL	BGS	91h
P4CNT	—	—	P4CNT.5	P4CNT.4	P4CNT.3	P4CNT.2	P4CNT.1	P4CNT.0	92h
DPX									93h
DPX1									95h
C0RMS0									96h
C0RMS1									97h
SCON0	SM0/FE_0	SM1_0	SM2_0	REN_0	TB8_0	RB8_0	TI_0	RI_0	98h
SBUF0									99h
ESP	—	—	—	—	—	—	ESP.1	ESP.0	9Bh
AP									9Ch
ACON	—	—	MROM	BPME	BROM	SA	AM1	AM0	9Dh
C0TMA0									9Eh
C0TMA1									9Fh
P2	P2.7/A15	P2.6/A14	P2.5/A13	P2.4/A12	P2.3/A11	P2.2/A10	P2.1/A9	P2.0/A8	A0h
P5	P5.7/PCE3	P5.6/PCE2	P5.5/PCE1	P5.4/PCE0	P5.3	P5.2/T3	P5.1/C0RX	P5.0/C0TX	A1h
P5CNT	—	CAN0BA	—	—	C0_I/O	P5CNT.2	P5CNT.1	P5CNT.0	A2h
C0C	ERIE	STIE	PDE	SIESTA	CRST	AUTOB	ERCS	SWINT	A3h
C0S	BSS	EC96/128	WKS	RXS	TXS	ER2	ER1	ER0	A4h
C0IR	INTIN7	INTIN6	INTIN5	INTIN4	INTIN3	INTIN2	INTIN1	INTIN0	A5h
C0TE									A6h
C0RE									A7h
IE	EA	ES1	ET2	ES0	ET1	EX1	ET0	EX0	A8h
SADDR0									A9h
SADDR1									AAh
C0M1C	MSRDY	ETI	ERI	INTRQ	EXTRQ	MTRQ	ROW/TIH	DTUP	ABh
C0M2C	MSRDY	ETI	ERI	INTRQ	EXTRQ	MTRQ	ROW/TIH	DTUP	ACh
C0M3C	MSRDY	ETI	ERI	INTRQ	EXTRQ	MTRQ	ROW/TIH	DTUP	ADh
C0M4C	MSRDY	ETI	ERI	INTRQ	EXTRQ	MTRQ	ROW/TIH	DTUP	AEh
C0M5C	MSRDY	ETI	ERI	INTRQ	EXTRQ	MTRQ	ROW/TIH	DTUP	AFh
P3	P3.7/RD	P3.6/WR	P3.5/T1	P3.4/T0	P3.3/INT1	P3.2/INT0	P3.1/TXD0	P3.0/RXD0	B0h
P6	P6.7/TXD2	P6.6/RXD2	P6.5/A21	P6.4/A20	P6.3/CE7	P6.2/CE6	P6.1/CE5	P6.0/CE4	B1h
P6CNT	—	—	P6CNT.5	P6CNT.4	P6CNT.3	P6CNT.2	P6CNT.1	P6CNT.0	B2h
C0M6C	MSRDY	ETI	ERI	INTRQ	EXTRQ	MTRQ	ROW/TIH	DTUP	B3h
C0M7C	MSRDY	ETI	ERI	INTRQ	EXTRQ	MTRQ	ROW/TIH	DTUP	B4h
C0M8C	MSRDY	ETI	ERI	INTRQ	EXTRQ	MTRQ	ROW/TIH	DTUP	B5h

REGISTER	BIT 7	BIT 6	BIT 5	BIT 4	BIT 3	BIT 2	BIT 1	BIT 0	ADDRESS
C0M9C	MSRDY	ETI	ERI	INTRQ	EXTRQ	MTRQ	ROW/TIH	DTUP	B6h
C0M10C	MSRDY	ETI	ERI	INTRQ	EXTRQ	MTRQ	ROW/TIH	DTUP	B7h
IP	—	PS1	PT2	PS0	PT1	PX1	PT0	PX0	B8h
SADEN0									B9h
SADEN1									BAh
C0M11C	MSRDY	ETI	ERI	INTRQ	EXTRQ	MTRQ	ROW/TIH	DTUP	BBh
C0M12C	MSRDY	ETI	ERI	INTRQ	EXTRQ	MTRQ	ROW/TIH	DTUP	BCh
C0M13C	MSRDY	ETI	ERI	INTRQ	EXTRQ	MTRQ	ROW/TIH	DTUP	BDh
C0M14C	MSRDY	ETI	ERI	INTRQ	EXTRQ	MTRQ	ROW/TIH	DTUP	BEh
C0M15C	MSRDY	ETI	ERI	INTRQ	EXTRQ	MTRQ	ROW/TIH	DTUP	BFh
SCON1	SM0/FE_1	SM1_1	SM2_1	REN_1	TB8_1	RB8_1	TI_1	RI_1	C0h
SBUF1									C1h
PMR	CD1	CD0	SWB	CTM	4X/2X	ALEOFF	—	—	C4h
STATUS	PIP	HIP	LIP	—	SPTA1	SPRA1	SPTA0	SPRA0	C5h
MCON	—	—	—	—	PDCE3	PDCE2	PDCE1	PDCE0	C6h
TA									C7h
T2CON	TF2	EXF2	RCLK	TCLK	EXEN2	TR2	C/T2	CP/RL2	C8h
T2MOD	—	—	—	D13T1	D13T2	—	T2OE	DCEN	C9h
RCAP2L									CAh
RCAP2H									CBh
TL2									CCh
TH2									CDh
COR	IRDACK	—	—	C0BPR7	C0BPR6	COD1	COD0	CLKOE	CEh
PSW	CY	AC	F0	RS1	RS0	OV	F1	P	D0h
MCNT0	LSHIFT	CSE	SCE	MAS4	MAS3	MAS2	MAS1	MAS0	D1h
MCNT1	MST	MOF	SCB	CLM	—	—	—	—	D2h
MA									D3h
MB									D4h
MC									D5h
MCON1	IRAMD	PRAME	—	—	PDCE7	PDCE6	PDCE5	PDCE4	D6h
WDCON	SMOD_1	POR	EPFI	PFI	WDIF	WTRF	EWT	RWT	D8h
SADDR2									D9h
BPA1									DAh
BPA2									DBh
BPA3									DCh
ACC									E0h
OCAD									E1h
CSRD									E3h
CSRA									E4h
EBS	FPE	RBF	—	BS4	BS3	BS2	BS1	BS0	E5h
BCUD									E6h
BCUC	BUSY	EPMF	TIF	RIF	BC3	BC2	BC1	BC0	E7h
EIE	EPMIE	C0IE	EAIE	EWDI	EWPI	ES2	ET3	EX2-5	E8h
MXAX									EAh
DPX2									EBh
DPX3									EDh
OWMAD	—	—	—	—	—	A2	A1	A0	EEh
OWMDR									EFh
B									F0h
SADEN2									F1h
DPL2									F2h
DPH2									F3h

REGISTER	BIT 7	BIT 6	BIT 5	BIT 4	BIT 3	BIT 2	BIT 1	BIT 0	ADDRESS
DPL3									F4h
DPH3									F5h
DPS1	ID3	ID2	—	—	—	—	—	—	F6h
STATUS1	—	—	—	—	V1PF	V3PF	SPTA2	SPRA2	F7h
EIP	EPMIP	C0IP	EAIP	PWDI	PWPI	PS2	PT3	PX2-5	F8h
P7	P7.7/A7	P7.6/A6	P7.5/A5	P7.4/A4	P7.3/A3	P7.2/A2	P7.1/A1	P7.0/A0	F9h
TL3									FBh
TH3									FCh
T3CM	TF3	TR3	T3M	SMOD_2	GATE	C/T $\bar{3}$	M1	M0	FDh
SCON2	SM0/FE_2	SM1_2	SM2_2	REN_2	TB8_2	RB8_2	TI_2	RI_2	FEh
SBUF2									FFh

Note: Shaded bits are timed-access protected.

Table 2. SFR Reset Values

REGISTER	BIT 7	BIT 6	BIT 5	BIT 4	BIT 3	BIT 2	BIT 1	BIT 0	ADDRESS
P4	1	1	1	1	1	1	1	1	80h
SP	0	0	0	0	0	0	0	0	81h
DPL	0	0	0	0	0	0	0	0	82h
DPH	0	0	0	0	0	0	0	0	83h
DPL1	0	0	0	0	0	0	0	0	84h
DPH1	0	0	0	0	0	0	0	0	85h
DPS	0	0	0	0	1	0	0	0	86h
PCON	0	0	Special	0	0	0	0	0	87h
TCON	0	0	0	0	0	0	0	0	88h
TMOD	0	0	0	0	0	0	0	0	89h
TL0	0	0	0	0	0	0	0	0	8Ah
TL1	0	0	0	0	0	0	0	0	8Bh
TH0	0	0	0	0	0	0	0	0	8Ch
TH1	0	0	0	0	0	0	0	0	8Dh
CKCON	0	0	0	0	0	0	0	1	8Eh
P1	1	1	1	1	1	1	1	1	90h
EXIF	0	0	0	0	Special	Special	Special	0	91h
P4CNT	1	1	1	1	1	1	1	1	92h
DPX	0	0	0	0	0	0	0	0	93h
DPX1	0	0	0	0	0	0	0	0	95h
C0RMS0	0	0	0	0	0	0	0	0	96h
C0RMS1	0	0	0	0	0	0	0	0	97h
SCON0	0	0	0	0	0	0	0	0	98h
SBUF0	0	0	0	0	0	0	0	0	99h
ESP	1	1	1	1	1	1	0	0	9Bh
AP	0	0	0	0	0	0	0	0	9Ch
ACON	1	1	0	0	Special	0	0	0	9Dh
C0TMA0	0	0	0	0	0	0	0	0	9Eh
C0TMA1	0	0	0	0	0	0	0	0	9Fh
P2	1	1	1	1	1	1	1	1	A0h
P5	1	1	1	1	1	1	1	1	A1h
P5CNT	1	0	0	0	0	0	0	0	A2h
C0C	0	0	0	0	1	0	0	1	A3h
C0S	0	0	0	0	0	0	0	0	A4h
C0IR	0	0	0	0	0	0	0	0	A5h
C0TE	0	0	0	0	0	0	0	0	A6h
C0RE	0	0	0	0	0	0	0	0	A7h
IE	0	0	0	0	0	0	0	0	A8h
SADDR0	0	0	0	0	0	0	0	0	A9h
SADDR1	0	0	0	0	0	0	0	0	AAh
C0M1C	0	0	0	0	0	0	0	0	ABh
C0M2C	0	0	0	0	0	0	0	0	ACh
C0M3C	0	0	0	0	0	0	0	0	ADh
C0M4C	0	0	0	0	0	0	0	0	AEh
C0M5C	0	0	0	0	0	0	0	0	AFh
P3	1	1	1	1	1	1	1	1	B0h
P6	1	1	1	1	1	1	1	1	B1h
P6CNT	0	0	0	0	0	0	0	0	B2h
C0M6C	0	0	0	0	0	0	0	0	B3h
C0M7C	0	0	0	0	0	0	0	0	B4h
C0M8C	0	0	0	0	0	0	0	0	B5h
C0M9C	0	0	0	0	0	0	0	0	B6h
C0M10C	0	0	0	0	0	0	0	0	B7h
IP	1	0	0	0	0	0	0	0	B8h
SADEN0	0	0	0	0	0	0	0	0	B9h
SADEN1	0	0	0	0	0	0	0	0	BAh
C0M11C	0	0	0	0	0	0	0	0	BBh
C0M12C	0	0	0	0	0	0	0	0	BCh
C0M13C	0	0	0	0	0	0	0	0	BDh
C0M14C	0	0	0	0	0	0	0	0	BEh
C0M15C	0	0	0	0	0	0	0	0	BFh
SCON1	0	0	0	0	0	0	0	0	C0h
SBUF1	0	0	0	0	0	0	0	0	C1h
PMR	1	0	0	0	0	0	1	1	C4h

REGISTER	BIT 7	BIT 6	BIT 5	BIT 4	BIT 3	BIT 2	BIT 1	BIT 0	ADDRESS
STATUS	0	0	0	1	0	0	0	0	C5h
MCON	1	1	1	1	0	0	0	0	C6h
TA	1	1	1	1	1	1	1	1	C7h
T2CON	0	0	0	0	0	0	0	0	C8h
T2MOD	1	1	0	0	0	1	0	0	C9h
RCAP2L	0	0	0	0	0	0	0	0	CAh
RCAP2H	0	0	0	0	0	0	0	0	CBh
TL2	0	0	0	0	0	0	0	0	CCh
TH2	0	0	0	0	0	0	0	0	CDh
COR	0	1	1	0	0	0	0	0	CEh
PSW	0	0	0	0	0	0	0	0	D0h
MCNT0	0	0	0	0	0	0	0	0	D1h
MCNT1	0	0	0	0	1	1	1	1	D2h
MA	0	0	0	0	0	0	0	0	D3h
MB	0	0	0	0	0	0	0	0	D4h
MC	0	0	0	0	0	0	0	0	D5h
MCON1	0	0	1	1	0	0	0	0	D6h
WDCON	0	Special	0	Special	0	Special	0	0	D8h
SADDR2	0	0	0	0	0	0	0	0	D9h
BPA1	0	0	0	0	0	0	0	0	DAh
BPA2	0	0	0	0	0	0	0	0	DBh
BPA3	0	0	0	0	0	0	0	0	DCh
ACC	0	0	0	0	0	0	0	0	E0h
OCAD	0	0	0	0	0	0	0	0	E1h
CSRD	0	0	0	0	0	0	0	0	E3h
CSRA	0	0	0	0	0	0	0	0	E4h
EBS	0	1	1	0	0	0	0	0	E5h
BCUD	0	0	0	0	0	0	0	0	E6h
BCUC	0	0	0	0	0	0	0	0	E7h
EIE	0	0	0	0	0	0	0	0	E8h
MXAX	0	0	0	0	0	0	0	0	EAh
DPX2	0	0	0	0	0	0	0	0	EBh
DPX3	0	0	0	0	0	0	0	0	EDh
OWMAD	0	0	0	0	0	1	1	1	EEh
OWMDR	0	0	0	0	0	0	0	0	EFh
B	0	0	0	0	0	0	0	0	F0h
SADEN2	0	0	0	0	0	0	0	0	F1h
DPL2	0	0	0	0	0	0	0	0	F2h
DPH2	0	0	0	0	0	0	0	0	F3h
DPL3	0	0	0	0	0	0	0	0	F4h
DPH3	0	0	0	0	0	0	0	0	F5h
DPS1	0	0	1	1	1	1	1	1	F6h
STATUS1	1	1	1	1	1	1	0	0	F7h
EIP	0	0	0	0	0	0	0	0	F8h
P7	1	1	1	1	1	1	1	1	F9h
TL3	0	0	0	0	0	0	0	0	FBh
TH3	0	0	0	0	0	0	0	0	FCh
T3CM	0	0	0	0	0	0	0	0	FDh
SCON2	0	0	0	0	0	0	0	0	FEh
SBUF2	0	0	0	0	0	0	0	0	FFh

Note: Shaded bits are timed-access protected. "Special" bits are affected only by certain types of reset. Refer to the user's guide for details.

TIMED-ACCESS PROTECTION

Selected SFR bits are critical to operation, making it desirable to protect them against an accidental write operation. The timed-access procedure prevents errant behavior from accidentally altering bits that would seriously affect microcontroller operation. The timed-access procedure requires that the write of a protected bit be immediately preceded by the following two instructions:

```
MOV 0C7h, #0AAh
MOV 0C7h, #55h
```

Writing an AAh followed by a 55h to the timed access register (location C7h), opens a three-cycle window that allows software to modify one of the protected bits. The protected bits are:

SFR	BIT(S)	NAME	FUNCTION
EXIF (91h)	EXIF.0	BGS	Bandgap Select
P4CNT (92h)	P4CNT.5–0	—	Port 4 Pin Configuration Control Bits
ACON (9Dh)	ACON.5	MROM	Merge ROM
—	ACON.4	BPME	Breakpoint Mode Enable
—	ACON.3	BROM	By-Pass ROM
—	ACON.2	SA	Stack Address Mode
—	ACON.1–0	AM1–AM0	Address Mode Select Bits
P5CNT (A2h)	P5CNT.2–0	—	Port 5 Pin Configuration Control Bits
C0C (A3h)	C0C.3	CRST	CAN 0 Reset
P6CNT (B2h)	P6CNT.5–0	—	Port 6 Pin Configuration Control Bits
—	MCON.5	CAN	CMA Data Memory Assignment
—	MCON.3–0	PDCE3–PDCE0	Program/Data-Chip Enables
COR (CEh)	COR.7	IRDACK	IRDA Clock-Output Enable
—	COR.4–3	C0BPR7–C0BPR6	CAN 0 Baud Rate Prescale Bits
—	COR.2–1	COD1–COD0	CAN Clock-Output Divide Bits
—	COR.0	CLKOE	CAN Clock-Output Enable
MCON1 (D6h)	MCON1.3–0	PDCE7–PDCE4	Program/Data Chip Enable
MCON2 (D7h)	MCON2.6–4	WPR2–WPR0	Write-Protect Range Bits
—	MCON2.3–0	WPE3–WPE0	Write-Protect Enable Bits
WDCON (D8h)	WDCON.6	POR	Power-On Reset Flag
—	WDCON.3	WDIF	Watchdog Interrupt Flag
—	WDCON.1	EWT	Watchdog Reset Enable
—	WDCON.0	RWT	Reset Watchdog Timer
EBS (E5h)	EBS.7	FPE	Flush Filter Failed-Packet Enable
—	EBS.4–0	BS4–BS0	Buffer Size Configuration Bits

MEMORY ARCHITECTURE

The DS80C410 incorporates six internal memory areas:

- 256 Bytes of scratchpad (or direct) RAM
- 8kB of SRAM for Ethernet MAC transmit/receive buffer memory
- 64kB SRAM configurable as a combination of MOVX data memory and code memory
- 1kB SRAM configurable as extended stack memory or MOVX data memory
- 256 Bytes of RAM reserved for the CAN message centers (not available on the DS80C411)
- 64kB embedded ROM firmware

Up to 16MB of external code memory can be addressed through a multiplexed or demultiplexed 22-bit address bus/8-bit data bus through eight available chip enables. Up to 4MB of external data memory can be accessed over the same address/data buses through peripheral-enable signals. The DS80C410 also permits a 16MB merged program/data memory map.

ADDRESSING MODES

Three different addressing modes are supported, as selected by the AM1, AM0 bits in the address control (ACON; 9Dh) SFR.

AM1:0	ADDRESS MODE
00b	16-bit (default when internal ROM disabled)
01b	24-bit paged
1xb	24-bit contiguous (default if internal ROM enabled)

16-Bit Address Mode

The 16-bit address mode accesses memory in a similar manner as a traditional 8051. It is op-code compatible with the 8051 microprocessor and identical to the byte and cycle count of the Dallas Semiconductor high-speed microcontroller family. A device operating in this mode can access up to 64kB of program and data memory. The DS80C410 defaults to this mode following any reset.

24-Bit Paged Address Mode

The 24-bit paged address mode retains binary-code compatibility with the 8051 instruction set, but adds one machine cycle to the ACALL, LCALL, RET, and RETI instructions with respect to the Dallas Semiconductor high-speed microcontroller family timing. This is transparent to standard 8051 compilers. Interrupt latency is also increased by one machine cycle. In this mode, interrupt vectors are fetched from 0000xxh.

24-Bit Contiguous Address Mode

The 24-bit contiguous addressing mode uses a full 24-bit program counter, and all modified branching instructions automatically save and restore the entire program counter. The 24-bit branching instructions such as ACALL, AJMP, LCALL, LJMP, MOV DPTR, RET, and RETI instructions require an assembler, compiler, and linker that specifically supports these features. The INC DPTR is lengthened by one cycle but remains byte-count compatible with the standard 8051 instruction set.

Visit www.maxim-ic.com/microcontrollers for a list of tools that support the DS80C410.

Extended Address Generation

FUNCTION	ADDRESS BITS 23–16	ADDRESS BITS 15–8	ADDRESS BITS 7–0
MOVX Instructions Using DPTRn	DPXn	DPHn	DPLn
MOVX Instructions Using @Ri	MXAX;EAh	P2;A0h	Ri
Addressing Program Memory In 24-Bit Paged Mode	AP;9Ch	—	—
10-Bit Stack Pointer Mode	—	ESP;9Bh	SP;81h

External Program Memory Addressing

Since the DS80C410 is not bound to the 8051's traditional 16-bit address mode, on-chip hardware enhancements were made to accommodate the larger memory interfaces associated with 24-bit addressing. The DS80C410 provides SFR bits to configure certain port pins as upper address lines and chip enables. The Port 4 control register (P4CNT; 92h) and Port 6 control register (P6CNT; B2h) control the number of chip enables that are used and the maximum amount of program memory that can be accessed per chip enable. Tables 3 and 4 illustrate which port pins are converted to address lines or chip enables as a result of the P4CNT and P6CNT bit settings.

Table 3. Extended Address Generation

P4CNT.5–3	P6.5	P6.4	P4.7	P4.6	P4.5	P4.4	MAX MEMORY ACCESSIBLE per CE
000	I/O	I/O	I/O	I/O	I/O	I/O	32kB (Note 1)
001	I/O	I/O	I/O	I/O	I/O	A16	128kB
010	I/O	I/O	I/O	I/O	A17	A16	256kB
011	I/O	I/O	I/O	A18	A17	A16	512kB
100	I/O	I/O	A19	A18	A17	A16	1MB
101	I/O	A20	A19	A18	A17	A16	2MB (Note 4)
110 or 111(default)	A21	A20	A19	A18	A17	A16	4MB (Note 2)

Table 4. Chip-Enable Generation

P6CNT.2–0	PORT 6 PIN FUNCTION					P4CNT.2–0	PORT 4 PIN FUNCTION			
	P6.3	P6.2	P6.1	P6.0			P4.3	P4.2	P4.1	P4.0
000 (Note 3)	I/O	I/O	I/O	I/O		000	I/O	I/O	I/O	I/O
100	I/O	I/O	I/O	$\overline{CE4}$		100	I/O	I/O	I/O	$\overline{CE0}$
101	I/O	I/O	$\overline{CE5}$	$\overline{CE4}$		101	I/O	I/O	$\overline{CE1}$	$\overline{CE0}$
110	I/O	$\overline{CE6}$	$\overline{CE5}$	$\overline{CE4}$		110	I/O	$\overline{CE2}$	$\overline{CE1}$	$\overline{CE0}$
111 (Note 4)	$\overline{CE7}$	$\overline{CE6}$	$\overline{CE5}$	$\overline{CE4}$		111(default)	$\overline{CE3}$	$\overline{CE2}$	$\overline{CE1}$	$\overline{CE0}$

Note 1: Only 32kB of memory is accessible per chip enable for the P4CNT.5-3 = 000b setting, which means at least two chip enables are needed in order to address the standard 16-bit (0–FFFFh) address range.

Note 2: The default P4CNT.5-3 = 111b setting (4MB accessible per CE) requires only four chip enables in order to access the maximum 24-bit (0–FFFFFFh) address range.

Note 3: Default condition when the internal ROM is disabled.

Note 4: When the internal ROM is enabled, the default memory map is reconfigured to 2MB per \overline{CE} , P4CNT.5-3 = 101b, and $\overline{CE4}$ to $\overline{CE7}$ are enabled, P6CNT.2-0 = 111b.

External Data Memory Addressing

Using a similar implementation as was used to expand program memory access, the DS80C410 allows up to 4MB of data memory access through four peripheral chip enables (\overline{PCE}). The Port 5 control register (P5CNT; A2h) and Port 6 control register (P6CNT; B2h) designate the number of peripheral chip enables and the maximum amount of addressable data memory per peripheral chip enable. [Table 5](#) shows which port pins are converted to peripheral chip enables, along with the maximum memory accessible through each peripheral chip enable for P5CNT, P6CNT bit settings.

Table 5. Peripheral Chip-Enable Generation

P5CNT.2–0	P5.7	P5.6	P5.5	P5.4		P6CNT.5–3	MAX MEMORY ACCESSIBLE per \overline{PCE}
000 (default)	I/O	I/O	I/O	I/O		000 (default)	32kB
100	I/O	I/O	I/O	$\overline{PCE0}$		001	128kB
101	I/O	I/O	$\overline{PCE1}$	$\overline{PCE0}$		010	256kB
110	I/O	$\overline{PCE2}$	$\overline{PCE1}$	$\overline{PCE0}$		011	512kB
111	$\overline{PCE3}$	$\overline{PCE2}$	$\overline{PCE1}$	$\overline{PCE0}$		100	1MB

Demultiplexed External Memory Addressing

On power-up or following any reset, the DS80C410 defaults to the traditional 8051 external memory interface, with the address MSB presented on Port 2 and the address LSB and data multiplexed on Port 0. The multiplexed mode requires an external latch to demultiplex the address LSB and data. The DS80C410 provides an external pin (MUX) that, when pulled high during a power-on reset, demultiplexes the address LSB and data. If demultiplexed mode is enabled, the address LSB is provided on Port 7 and the data on Port 0. At the expense of consuming Port 7, demultiplexed mode eliminates the external demultiplexing latch and the delay element associated with the latch. In some cases, the removal of this timing delay allows use of slower, less expensive external memory devices. [Table 6](#) shows pin assignments for the multiplexed (traditional 8051) and demultiplexed external addressing modes.

Table 6. External Memory Addressing Pin Assignments

	SIGNAL	MULTIPLEXED ($\overline{\text{MUX}} = 0$)	DEMULTIPLEXED ($\overline{\text{MUX}} = 1$)
ADDRESS	A21	P6.5	P6.5
	A20	P6.4	P6.4
	A19	P4.7	P4.7
	A18	P4.6	P4.6
	A17	P4.5	P4.5
	A16	P4.4	P4.4
	A15–A8	P2.7–P2.0	P2.7–P2.0
	A7–A0	P0.7–P0.0	P7.7–P7.0
DATA	D7–D0	P0.7–P0.0	P0.7–P0.0
CHIP ENABLES	$\overline{\text{CE}}7$	P6.3	P6.3
	$\overline{\text{CE}}6$	P6.2	P6.2
	$\overline{\text{CE}}5$	P6.1	P6.1
	$\overline{\text{CE}}4$	P6.0	P6.0
	$\overline{\text{CE}}3$	P4.3	P4.3
	$\overline{\text{CE}}2$	P4.2	P4.2
	$\overline{\text{CE}}1$	P4.1	P4.1
	$\overline{\text{CE}}0$	P4.0	P4.0
PERIPHERAL CHIP ENABLES	$\overline{\text{PCE}}3$	P5.7	P5.7
	$\overline{\text{PCE}}2$	P5.6	P5.6
	$\overline{\text{PCE}}1$	P5.5	P5.5
	$\overline{\text{PCE}}0$	P5.4	P5.4

Combined Program/Data Memory Access

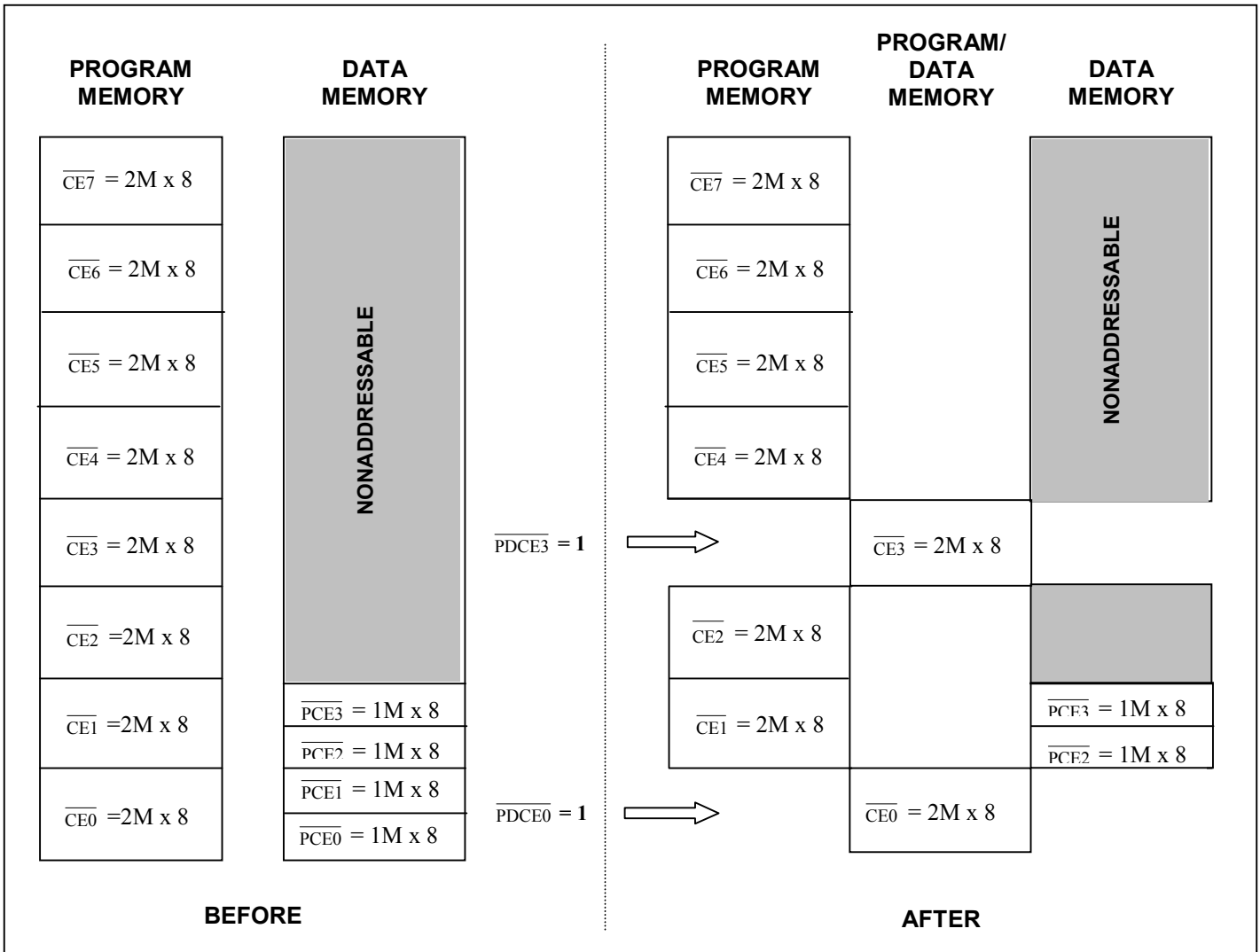
The DS80C410 can be configured to allow data memory access (MOVX) to the program memory area. This feature might be useful, for example, when modifying lookup tables or supporting in-application programming of code space. Setting any of the PDCE7-4 (MCON1.3-0) or PDCE3-0 (MCON.3-0) bits enables combined program/data memory access and causes the corresponding chip-enable ($\overline{\text{CE}}$) signal to function for both MOV_C and MOV_X operations. When combined program/data memory access is enabled, the peripheral chip-enable ($\overline{\text{PCE}}$) signals previously assigned to that data memory space are disabled. Write access to combined program and data memory blocks is controlled by the $\overline{\text{WR}}$ signal, and read access is controlled by the $\overline{\text{PSEN}}$ signal. This feature is especially useful if the design achieves in-system reprogrammability through external flash memory, in which a single device is accessed through both MOV_C instructions (program fetch) and MOV_X write operations (updates to code memory). [Figure 1](#) demonstrates how setting $\overline{\text{PDCE}}$ bits can alter external memory data access.

When combined program/data memory access is enabled, there is the potential to inadvertently modify code that a user meant to leave fixed. For this reason, the DS80C410 provides the ability to write protect the first 0–16kB of memory accessible through each of the chip enables $\overline{\text{CE}}3$, $\overline{\text{CE}}2$, $\overline{\text{CE}}1$, and $\overline{\text{CE}}0$. The write-protection feature for each chip enable is invoked by setting the appropriate WPE3–0 (MCON2.3-0) bit. The protected range is defined by the WPR2–0 (MCON2.6–4) bit settings as shown in [Table 7](#). Any MOV_X instructions attempting to write to a protected area are disallowed and set the write-protected interrupt flag (WPIF–MCON2.7), causing a write-protect interrupt if enabled.

Table 7. Write-Protection Range

MCON2.6–4	RANGE PROTECTED (kB)
000	0 to 2
001	0 to 4
010	0 to 6
011	0 to 8
100	0 to 10
101	0 to 12
110	0 to 14
111	0 to 16

Figure 1. Example External Memory Map—Merged Program/Data



Enhanced Quad Data Pointers

The DS80C410 offers enhanced features for accelerating the access and movement of data. It contains four data pointers (DPTR0, DPTR1, DPTR2, and DPTR3), in comparison to the single data pointer offered on the original 8051, and allows the user to define, for each data pointer, whether the INC DPTR instruction increments or decrements the selected pointer. Also, realizing that many data accesses occur in large contiguous blocks, the DS80C410 can be configured to automatically increment or decrement a data pointer on execution of certain instructions. This improvement greatly speeds access to consecutive pieces of data since hardware can now accomplish a task (advancing the data pointer) that previously required software execution time. Finally, each pair of data pointers (DPTR0, DPTR1 or DPTR2, DPTR3) can be configured for an auto-toggle mode. When placed into this mode, certain data pointer-related instructions toggle the active data-pointer selection to the other pointer in the pair. Enabling the auto-toggle feature, with one pointer to source data and a second pointer to destination data, greatly speeds the copying of large data blocks.

DPTR0 is located at the same address as the original 8051 data pointer, allowing the DS80C410 to execute standard 8051 code with no modifications. The registers making up the second, third, and fourth data pointers are located at SFR address locations not used in the original 8051. To access the extended 24-bit address range supported by the DS80C410, a third, high-order byte (DPXn) has been added to each pointer so that each data pointer is now composed of the SFR combination DPXn+DPHn+DPLn. [Table 8](#) summarizes the SFRs that make up each data pointer.

Table 8. Data Pointer SFR Locations

DATA POINTER	DPX+DPH+DPL COMBINATION
DPTR0	DPX (93h) + DPH (83h) + DPL (82h)
DPTR1	DPX1 (95h) + DPH1 (85h) + DPL1 (84h)
DPTR2	DPX2 (EBh) + DPH2 (F3h) + DPL2 (F2h)
DPTR3	DPX3 (EDh) + DPH3 (F5h) + DPL3 (F4h)

The active data pointer is selected with the data pointer select bits SEL1 (DPS.3) and SEL (DPS.0). For the SEL1 and SEL bits, the 00b state selects DPTR0, 01b selects DPTR1, 10b selects DPTR2, and 11b selects DPTR3. Any instructions that reference the DPTR (i.e., MOVX A, @DPTR) use the data pointer selected by the SEL1, SEL bit-pair combination. To allow for code compatibility with previous dual data pointer microcontrollers, the bits adjacent to SEL are not implemented so that the INC DPS instruction can still be used to quickly toggle between DPTR0 and DPTR1 or between DPTR2 and DPTR3.

Unlike the standard 8051, the DS80C410 has the ability to decrement as well as increment the data pointers without additional instructions. Each data pointer (DPTR0, DPTR1, DPTR2, DPTR3) has an associated control bit (ID0, ID1, ID2, ID3) that determines whether the INC DPTR operation results in an increment or decrement of the pointer. When the active data pointer ID (increment/decrement) control bit is clear, the INC DPTR instruction increments the pointer, whereas a decrement occurs if the active pointer's ID bit is set when the INC DPTR instruction is performed.

ID0 = DPS.6
 ID1 = DPS.7
 ID2 = DPS1.6
 ID3 = DPS1.7

Another useful feature of the device is its ability to automatically switch the active data pointer after certain DPTR-based instructions are executed. This feature can greatly reduce the software overhead associated with data memory block moves, which toggle between the source and destination registers. The auto-toggle feature does not toggle between all four data pointers, nor does it allow the user to select which data pointers to toggle between. When the toggle select bit (TSL;DPS.5) is set to 1, the SEL bit (DPS.0) is automatically toggled every time one of the DPTR instructions below is executed. Thus, depending upon the state of the SEL1 bit (DPS.3), the active data pointer toggles the DPTR0, DPTR1 pair or the DPTR2, DPTR3 pair.

Auto-Toggle (if TSL = 1)

```
INC DPTR
MOV DPTR, #data16
MOV DPTR, #data24
MOVC A, @A+DPTR
MOVX A, @DPTR
MOVX @DPTR, A
```

As a brief example, if TSL is set to 1, then both data pointers can be updated with two INC DPTR instructions. Assume that SEL1 = 0 and SEL = 0, making DPTR0 the active data pointer. The first INC DPTR increments DPTR0 and toggles SEL to 1. The second instruction increments DPTR1 and toggles SEL back to 0.

```
INC DPTR
INC DPTR
```

As a further enhancement, the DS80C410 provides the ability to automatically increment/decrement the active data pointer after certain DPTR-based instructions are executed. Copying large blocks of data generally requires that the source and destination pointers index byte-by-byte through their respective data ranges. The traditional method for incrementing each pointer is by using the INC DPTR instruction. When the auto-increment/decrement bit (AID:DPS.4) is set to 1, the active data pointer is automatically incremented or decremented every time one of the DPTR instructions below is executed.

Auto-Increment/Decrement (if AID = 1)

```
MOVC A, @A+DPTR
MOVX A, @DPTR
MOVX @DPTR, A
```

When used in conjunction, the auto-toggle and auto-increment/decrement features can produce very fast and efficient routines for copying or moving data. For example, suppose you want to copy three bytes of data from a source location (pointed to by DPTR2) to a destination location (pointed to by DPTR3). Assuming that DPTR2 is the active pointer (SEL1 = 1, SEL = 0), with TSL = 1 and AID = 1, the instruction sequence below copies the three bytes:

```
MOVX A, @DPTR
MOVX @DPTR, A
MOVX A, @DPTR
MOVX @DPTR, A
MOVX A, @DPTR
MOVX @DPTR, A
```

Stretch Memory Cycles

The DS80C410 allows user-application software to select the number of machine cycles it takes to execute a MOVX instruction, allowing access to both fast and slow off-chip data memory and/or peripherals without glue logic. High-speed systems often include memory-mapped peripherals such as LCDs or UARTs with slow access times, so it may not be necessary or desirable to access external devices at full speed. The microprocessor can perform a MOVX instruction in as little as two machine cycles or as many as 12 machine cycles. Accesses to internal MOVX SRAM always use two cycles. Note that stretch cycle settings affect external MOVX memory operations only and there is no way to slow the accesses to program memory other than to use a slower crystal (or external clock).

External MOVX timing is governed by the selection of 0-to-7 stretch cycles, controlled by the MD2–MD0 SFR bits in the clock control register (CKCON.2–0). A stretch of 0 results in a 2-machine cycle MOVX instruction. A stretch of 7 results in a MOVX of 12 machine cycles. Software can dynamically change the stretch value depending on the particular memory or peripheral being accessed. The default of one stretch cycle allows the use of commonly available SRAMs without dramatically lengthening the memory access times.

Stretch cycle settings affect external MOVX timing in three gradations. Changing the stretch value from 0 to 1 adds an additional clock cycle each to the data setup and hold times. Stretch values of 2 and 3 each stretch the \overline{WR} or \overline{RD} signal by an additional machine cycle. When a stretch value of 4 or above is selected, the interface timing changes dramatically to allow for very slow peripherals. First, the ALE signal is lengthened by one machine cycle. This increases the address setup time into the peripheral by this amount. Next, the address is held on the bus for one additional machine cycle, increasing the address hold time by this amount. The \overline{WR} and \overline{RD} signals are then lengthened by a machine cycle. Finally, during a MOVX write the data is held on the bus for one additional machine cycle, thereby increasing the data hold time by this amount. For every stretch value greater than 4, the setup and hold times remain constant, and only the width of the read or write signal is increased. These three gradations are reflected in the *AC Electrical Characteristics* section, where the eight MOVX timing specifications are represented by only three timing diagrams.

The reset default of one stretch cycle results in a three-cycle MOVX for any external access. Therefore, the default off-chip RAM access is not at full speed. This is a convenience to existing designs that use slower RAM. When maximum speed is desired, software should select a stretch value of 0. When using very slow RAM or peripherals, the application software can select a larger stretch value.

The specific timing of MOVX instructions as a function of stretch settings is provided in the *Electrical Specifications* section of this data sheet. As an example, [Table 9](#) shows the read and write strobe widths corresponding to each stretch value.

Table 9. Data Memory Cycle Stretch Values

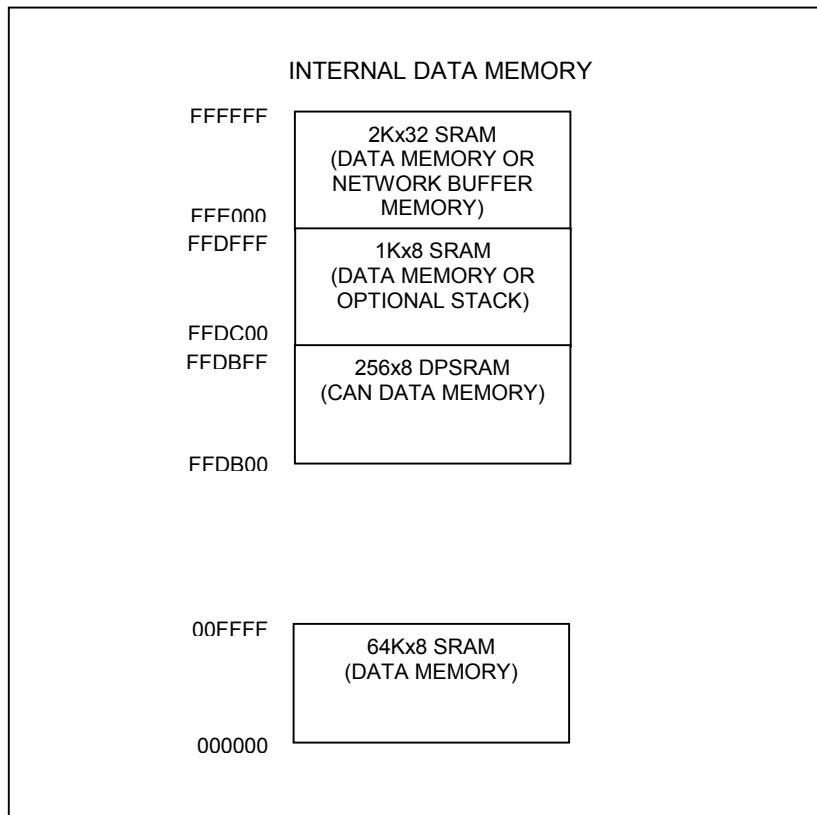
MD2	MD1	MD0	STRETCH VALUE	MOVX MACHINE CYCLES	APPROXIMATE RD, WR PULSE WIDTH (IN OSCILLATOR CLOCKS)			
					(4X/2X = 1 CD1:0 = 00)	(4X/2X = 0 CD1:0 = 00)	(4X/2X = X CD1:0 = 10)	(4X/2X = X CD1:0 = 11)
0	0	0	0 (Note 1)	2	0.5 t _{CLK}	1 t _{CLK}	2 t _{CLK}	512 t _{CLK}
0	0	1	1 (Note 2)	3	1 t _{CLK}	2 t _{CLK}	4 t _{CLK}	1024 t _{CLK}
0	1	0	2	4	2 t _{CLK}	4 t _{CLK}	8 t _{CLK}	2048 t _{CLK}
0	1	1	3	5	3 t _{CLK}	6 t _{CLK}	12 t _{CLK}	3072 t _{CLK}
1	0	0	4	9	4 t _{CLK}	8 t _{CLK}	16 t _{CLK}	4096 t _{CLK}
1	0	1	5	10	5 t _{CLK}	10 t _{CLK}	20 t _{CLK}	5120 t _{CLK}
1	1	0	6	11	6 t _{CLK}	12 t _{CLK}	24 t _{CLK}	6144 t _{CLK}
1	1	1	7	12	7 t _{CLK}	14 t _{CLK}	28 t _{CLK}	7168 t _{CLK}

Note 1: All internal MOVX operations execute at the 0 stretch setting.

Note 2: Default stretch setting for external MOVX operations following reset, prior to execution of internal ROM.

Internal MOVX SRAM

The DS80C410/411 incorporates 73.25kBytes on-chip SRAM for MOVX memory. The on-chip SRAM is physically divided into four memory blocks: a dedicated 64Kx8 data or program/data memory, a 1Kx8 memory block for extended stack or data memory, and 256 bytes of dual port RAM for control and storage of CAN messages. The address locations of these four blocks are fixed and cannot be altered. [Figure 2](#) shows the default memory configuration of the DS80C410.

Figure 2. Internal Data Memory

The 8kB (2kx32) block is used by the Ethernet MAC as frame-buffer memory for incoming or outgoing packet data and can, at the same time, be accessed by the DS80C410 as MOVX data memory. While the MAC is in use, special care should be taken by user software to prevent undesirable MOVX writes from corrupting frame-buffer memory. Note: that when the SA bit (ACON.2) is set, 1kB of the MOVX data memory is accessed by the 10-bit

extended stack pointer. The additional 256 Bytes of internal SRAM are used to configure and operate the 15 CAN-controller message centers.

Extended Stack Pointer

The DS80C410 supports both the traditional 8-bit and an extended 10-bit stack pointer that improves the performance of large programs written in high-level languages such as C. To enable the 10-bit stack pointer, set the stack-address mode bit, SA (ACON.2). The bit is cleared following a reset, forcing the device to use an 8-bit stack located in the scratchpad RAM area. When the SA bit is set, the device addresses up to 1kB of internal MOVX memory for stack purposes. The 10-bit stack pointer address is generated by concatenating the lower two bits of the extended stack pointer (ESP;9Bh) and the traditional 8051 stack pointer (SP;81h).

On-Chip Arithmetic Accelerator

An on-chip math accelerator allows the microcontroller to perform 32-bit and 16-bit multiplication, division, shifting, and normalization using dedicated hardware. Math operations are performed by sequentially loading three special registers. The mathematical operation is determined by the sequence in which three dedicated SFRs (MA, MB, and MCNT0) are accessed, eliminating the need for a special step to choose the operation. The normalize function facilitates the conversion of 4-Byte unsigned binary integers into floating point format. [Table 10](#) shows the operations supported by the math accelerator and their time of execution.

Table 10. Arithmetic Accelerator Execution Times

OPERATION	RESULT	EXECUTION TIME
32-Bit/16-Bit Divide	32-Bit Quotient, 16-Bit Remainder	36 t_{CLCL}
16-Bit/16-Bit Divide	16-Bit Quotient, 16-Bit Remainder	24 t_{CLCL}
16-Bit/16-Bit Multiply	32-Bit Product	24 t_{CLCL}
32-Bit Shift Left/Right	32-Bit Result	36 t_{CLCL}
32-Bit Normalize	32-Bit Mantissa, 5-Bit Exponent	36 t_{CLCL}

[Table 11](#) demonstrates the procedure to perform mathematical operations using the hardware math accelerator. The MA and MB registers must be loaded and read in the order shown for proper operation, although accesses to any other registers can be performed between accesses to the MA or MB registers. An access to the MA, MB, or MC registers out of sequence corrupt the operation, requiring the software to clear the MST bit to restart the math accelerator state machine. See the descriptions of the MCNT0 and MCNT1 SFRs for details about how the shift and normalize functions operate.

Table 11. Arithmetic Accelerator Sequencing

DIVIDE (32/16 or 16/16)	MULTIPLY (16 x 16)
Load MA with dividend LSB. <i>Load MA with dividend LSB + 1.</i> <i>Load MA with dividend LSB + 2.</i> Load MA with dividend MSB. Load MB with divisor LSB. Load MB with divisor MSB. Poll the MST bit until cleared. (9 machine cycles for 32-bit numerator) (6 machine cycles for 16-bit numerator) Read MA to retrieve the quotient MSB. <i>Read MA to retrieve the quotient LSB + 2.</i> <i>Read MA to retrieve the quotient LSB + 1.</i> Read MA to retrieve the quotient LSB. Read MB to retrieve the remainder MSB. Read MB to retrieve the remainder LSB.	Load MB with multiplier LSB. Load MB with multiplier MSB. Load MA with multiplicand LSB. Load MA with multiplicand MSB. Poll the MST bit until cleared (6 machine cycles). Read MA for product MSB. Read MA for product LSB + 2. Read MA for product LSB + 1. Read MA for product LSB.
SHIFT RIGHT/LEFT	NORMALIZE
Load MA with data LSB. Load MA with data LSB + 1. Load MA with data LSB + 2. Load MA with data MSB. Configure MCNT0/MCNT1 registers as required. Poll the MST bit until cleared (9 machine cycles). Read MA for result MSB. Read MA for result LSB + 2. Read MA for result LSB + 1. Read MA for result LSB.	Load MA with data LSB. Load MA with data LSB + 1. Load MA with data LSB + 2. Load MA with data MSB. Configure MCNT0.4–0 = 00000b. Poll the MST bit until cleared (9 machine cycles). Read MA for mantissa MSB. Read MA for mantissa LSB + 2. Read MA for mantissa LSB + 1. Read MA for mantissa LSB. Read MCNT0.4–MCNT0.0 for exponent.

*Not performed for 16-bit numerator.

40-Bit Accumulator

The accelerator also incorporates an automatic accumulator function, permitting the implementation of multiply-and-accumulate and divide-and-accumulate functions without any additional delay. Each time the accelerator is used for a multiply or divide operation, the result is transparently added to a 40-bit accumulator. This can greatly increase speed of DSP and other high-level math operations.

The accumulator can be accessed any time the multiply/accumulate status flag (MCNT1;D2h) is cleared. The accumulator is initialized by performing five writes to the multiplier C register (MC;D5h), LSB first. The 40-bit accumulator can be read by performing five reads of the multiplier C register, MSB first.

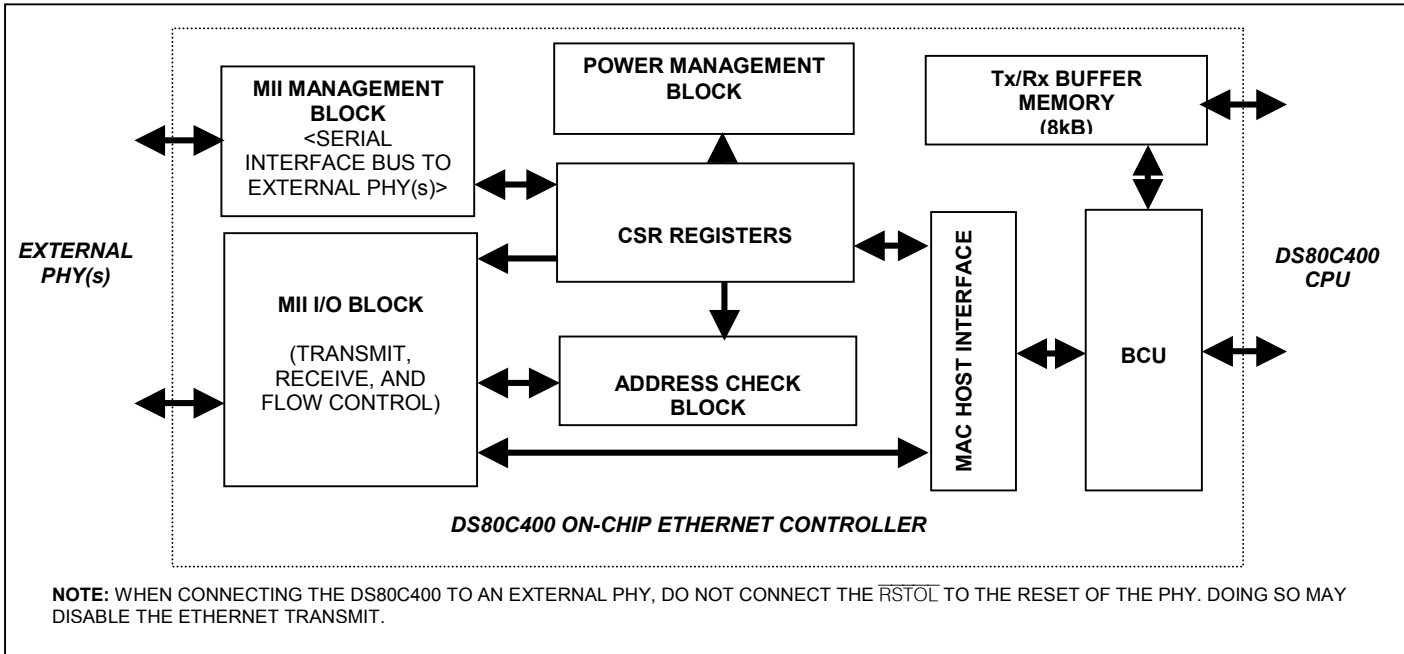
Ethernet Controller

The DS80C410 incorporates a 10/100Mbps Ethernet controller, which supports the protocol requirements for operating an Ethernet/IEEE 802.3-compliant PHY device. It provides receive, transmit, and flow control mechanisms through a media-independent interface (MII), which includes a serial management bus for configuring external PHY devices. The MII can be configured to operate in half-duplex or full-duplex mode at either 10Mbps or 100Mbps, or can support 10Mbps ENDEC mode operation.

For half-duplex mode operation, the DS80C410 shares the Ethernet physical media with other stations on the network. The DS80C410 follows the IEEE 802.3 carrier-sense multiple-access with collision detection (CSMA/CD) method for accessing the physical media. The MAC waits until the physical carrier is idle before attempting a transmission. Having multiple stations on the network results in the possibility of transmissions from different stations colliding. When a collision is detected, the MAC waits some number of time slots (according to an internal back-off timer) before attempting retransmission. Unless instructed otherwise, the MAC automatically attempts to retransmit collided frames up to 16 times before aborting the transmit frame. As a means of flow control when receiving data, the MAC uses a back-pressure scheme, transmitting a jamming signal to force collisions on incoming frames transmitted by other stations. Using this back-pressure scheme gives the DS80C410 control of the network or time to free up needed receive data buffers.

For full-duplex mode operation, the physical media connects the DS80C410 directly to only one other station, allowing simultaneous transmit and receive activity between the two without risk of collision. Hence, no media-access method (i.e., CSMA/CD) needs to be used. For full-duplex operation, the flow control mechanism is the PAUSE control frame. When needing time to free additional receive data buffers, the DS80C410 can initiate a PAUSE control frame, requesting that the other station suspend transmission attempts for a specified number of time slots.

Figure 3. Ethernet Controller Block Diagram



Buffer Control Unit

The buffer control unit (BCU) serves as the central controller of all DS80C410 Ethernet activity. The BCU regulates CPU read/write activity to the Ethernet controller blocks through a series of SFRs: BCU control (BCUC; E7h), BCU data (BCUD; E8h), CSR address (CSRA; E4h), and CSR data (CSR D; E3h). These SFRs allow the CPU to issue commands to the BCU, exchange packet size/location information with the BCU, configure the on-chip Ethernet MAC, and even communicate with external PHYs through the MII serial-management bus.

[Table 12](#) outlines the commands that can be issued through the BCUC register. Prior to issuing a write (1000b) or read (1001b) CSR register command, the CSRA SFR must be configured to address a valid CSR register. For each CSR register write, the CSR D SFR must be loaded with the data to be written prior to issuing the write command, whereas on a read, CSR D returns the CSR register data following the read command. [Table 13](#) lists the CSR register addresses and functions.

Table 12. Buffer Control Unit Commands

COMMAND (BCUC.3:BCUC.0)	OPERATION
0000	No Operation (default)
0010	Invalidate Current Receive Packet
0011	Flush Receive Buffer
0100	Transmit Request (normal)
0101	Transmit Request (disable padding)
0110	Transmit Request (disable CRC)
1000	Write CSR Register
1001	Read CSR Register
1100	Enable Sleep Mode
1101	Disable Sleep Mode
Other	Reserved

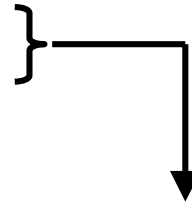


Table 13. CSR Registers

CSR REGISTER ADDRESS (CSRA)	FUNCTION
00h	MAC Control
04h	Ethernet MAC Physical Address [47:32]
08h	Ethernet MAC Physical Address [31:0]
0Ch	Multicast Address Hash Table [63:32]
10h	Multicast Address Hash Table [31:0]
14h	MII Address
18h	MII Data
1Ch	Flow Control
20h	VLAN1 Tag
24h	VLAN2 Tag
28h	Wake-Up Frame Filter
2Ch	Wake-Up Events Control and Status
Other	Reserved

The BCU is responsible for coordinating and reporting status for all data-packet transactions between the Ethernet MAC and the 8kB packet-buffer memory. The size of the transmit and receive buffers within the 8kB packet-buffer memory is user-configurable through the EBS (E5h) register. During transmit and receive operations, the BCU operates according to the user-defined buffer allocation and tracks consumption of receive buffer memory so that a receive-buffer-full condition can be signaled.

For a receive operation, the BCU first must assess whether there are any open pages in receive buffer memory to accommodate an incoming packet. If there are not open pages, the receive-buffer-full (RBF; EBS.6) flag is set. Until the RBF condition is cleared, all incoming frames are missed. If receive buffer memory has open pages, the received data is stored in the first open page starting at byte offset 4, leaving the first 4 bytes open for packet status reporting. Receive packets requiring multiple pages are stored in consecutive pages. Note that the receive buffer operates as a circular queue, with page 0 being the consecutive page to follow the final (n - 1) receive buffer page. The BCU stores incoming data to receive buffer memory until the transaction is complete or until the reception is

aborted. The BCU incorporates a 31 x 8 first-in-first-out receive packet register (receive FIFO) so that the CPU can access information for the next receive packet in queue. Upon reception of each valid packet into receive buffer memory, the BCU writes a receive status word into the first word of the receive packet starting page, updates the receive FIFO, and notifies the CPU by setting an interrupt flag. The CPU can access the receive FIFO by reading the BCUD SFR. Bits 4–0 of the data read from BCUD contain the starting page address and bits 7, 6, 5 reflect the number of pages occupied by the packet.

For a transmit operation, the tasks performed by the BCU are similar. The CPU first provides size/location information of the transmit packet to the BCU. This is accomplished by three consecutive writes to the BCUD SFR. The first write specifies the MSB of the 11-bit byte count for the transmit packet, the second gives the LSB of the 11-bit byte count, and the third provides the starting page address for the packet. Note that at page 31 of the transmit buffer, the next consecutive page is page (n). The CPU issues a transmit request to the BCU, which then communicates this request to the MAC. Once started, the BCU reads data from transmit buffer memory and feeds the data to the MAC for presentation on the MII. This process continues until the transaction is complete or the transmission is aborted. The BCU then writes a transmit status word back to transmit buffer memory and notifies the CPU by setting the interrupt flag. Transmit buffer management should be handled by the application code.

Command/Status (CSR) Registers

The CSR registers are essential in defining the operational characteristics of the Ethernet controller. The CSR registers contain the following key items:

- MAC physical address
- Transmit, receive, and flow control settings for the MAC
- Multicast hash table used by the address check block
- Filter mode and good/bad frame controls for the address check block
- VLAN tag identifiers
- Wake-up frame filter
- Register interface for serial MII PHY management bus

Each CSR register is 32-bits wide and is accessible using the BCUC, CSRA, CSRD SFR interface described in the *Buffer Control Unit* section. To program a CSR register, the application code must provide data (CSRD) and address (CSRA) for the target register before issuing the 'Write CSR Register' command to the BCU. When performing a CSR register read, the application code provides the address (CSRA), issues the 'Read CSR Register' command to the BCU, and then may unload the data (CSRD). The sequences below illustrate the correct procedures for writing and reading the CSR registers.

CSR Register Write

Load CSRD with MSB of 32-bit word to be written.

Load CSRD with LSB + 2 of the 32-bit word to be written.

Load CSRD with LSB + 1 of the 32-bit word to be written.

Load CSRD with LSB of the 32-bit word to be written.

Load CSRA with address of the CSR register to be written.

Issue the 'Write CSR Register' command to the BCU by writing BCUC.3–BCUC.0 = 1000b.

CSR Register Read

Load CSRA with address of the CSR register to be read.

Issue the 'Read CSR Register' command to the BCU by writing BCUC.3–BCUC.0 = 1001b.

Wait until the BCU busy bit (BCUC.7) = 0.

Unload CSRD for the MSB of the 32-bit word.

Unload CSRD for the LSB + 2 of the 32-bit word.

Unload CSRD for the LSB + 1 of the 32-bit word.

Unload CSRD for the LSB of the 32-bit word.

Each CSR register is documented as follows:

CSR Register: MAC Control
Register Address: 00h

Bit Names:

31	RA	BLE	—	HBD	PS	—	—	—	24
23	DRO	OM[1:0]		F	PM	PR	IF	PB	16
15	HO	—	HP	LCC	DBF	DRTY	—	ASTP	8
7	BLOMT[1:0]		DC	—	TE	RE	—	—	0

Reset State:

31	0	0	0	0	0	0	0	0	24
23	0	0	0	0	0	1	0	0	16
15	0	0	0	0	0	0	0	0	8
7	0	0	0	0	0	0	0	0	0

RA, Receive All. This bit overrides the flush-filter failed-packet function if that function has been enabled (EBS.7 = 1).

0 = default frame handling (default)

1 = all error-free frames are received with packet filter bit set (= 1) in the receive status word

BLE, Big/Little Endian Mode

0 = data buffers are operated in little Endian mode (default)

1 = data buffers are operated in big Endian mode

HBD, Heart-Beat Disable. This bit is only useful in ENDEC mode and has no affect on MII mode operation.

0 = heart-beat signal quality-generator function enabled (default)

1 = heart-beat signal quality-generator function is disabled

PS, Port Select

0 = MII mode (default)

1 = ENDEC mode

DRO, Disable Receive Own. This bit should always be cleared to a logic 0 for full-duplex operation and any loopback operating modes other than “normal mode.”

0 = MAC receives all packets given by the PHY (default)

1 = MAC disables reception of frames during frame transmission (TX_EN = 1)

OM[1:0], Loopback Operating Mode

00 = normal mode, no loopback (default)

01 = internal loopback through MII

10 = external loopback through PHY

11 = reserved

F, Full-Duplex Mode

0 = half-duplex mode (default)

1 = full-duplex mode

PM, Pass All Multicast

0 = multicast frames filtered according to current multicast filter mode (default)

1 = pass all multicast frames; filter-fail bit is reset (= 0) for all multicast frames received

PR, Promiscuous Mode

0 = promiscuous mode disabled

1 = promiscuous mode enabled (default)

IF, Inverse Filtering

- 0 = inverse filtering disabled (default)
- 1 = inverse filtering by the address check block enabled

PB, Pass Bad Frames

- 0 = packet filter bit in the receive status word is set (= 1) only when error-free frames received (default)
- 1 = packet filter bit in the receive status word is set (= 1) for frames that pass the destination address filter even when they contain errors. Promiscuous mode should always be used when this bit is set.

HO, Hash-Only Filtering Mode

- This bit should only be set when HP = 1.
- 0 = filter unicast frames according to filter mode configuration (default)
- 1 = hash filtering of unicast and multicast frames by the address check block

HP, Hash/Perfect Filtering Mode

- 0 = perfect filtering by the address check block for unicast and multicast frames (default)
- 1 = hash filtering by the address check block for multicast frames and perfect filtering of unicast frames

LCC, Late Collision Control

- 0 = transmission is aborted if a late collision is encountered (default)
- 1 = allows frame retransmission attempts even when a late collision is encountered

DBF, Disable Broadcast Frames

- 0 = packet filter bit in the receive status word is set (= 1) for each broadcast frame received (default)
- 1 = packet filter bit in the receive status word is reset (= 0) for each broadcast frame received

DRTY, Disable Retry

- 0 = MAC attempts to transmit a frame 16 times before signaling a retry error (default)
- 1 = MAC attempts to transmit a frame only once before signaling a retry error

ASTP, Automatic Pad Stripping

- 0 = receive frames are transferred to the BCU without modification (default)
- 1 = zero padding and CRC are stripped for receive frames, which specify a data length less than 46 Bytes

BOLMT[1:0], Back-Off Limit. The back-off protocol requires that the MAC wait some number of time slots (512bits / time slot) before rescheduling a transmission attempt. A 10-bit free-running counter is used to generate this back-off delay. The BOLMT[1:0] bits select the number of bits to be used from the 10-bit counter.

- 00 = 10 bits (0 to 1024 time slots, default)
- 01 = 8 bits (0 to 256 time slots)
- 10 = 4 bits (0 to 16 time slots)
- 11 = 1 bit (none or 1 time slot)

DC, Deferral Check

- 0 = MAC can defer indefinitely while waiting to transmit (default)
- 1 = MAC aborts a transmission attempt if it has deferred for more than 24,288 consecutive bit times

TE, Transmitter Enable

- 0 = transmitter disabled (default)
- 1 = transmitter enabled

RE, Receiver Enable

- 0 = receiver disabled (default)
- 1 = receiver enabled

CSR Register: MAC Address High
Register Address: 04h

Bit Names:

31	—	—	—	—	—	—	—	—	24
23	—	—	—	—	—	—	—	—	16
15	PADR [47:40]								8
7	PADR [39:32]								0

Reset State:

31	0	0	0	0	0	0	0	0	24
23	0	0	0	0	0	0	0	0	16
15	1	1	1	1	1	1	1	1	8
7	1	1	1	1	1	1	1	1	0

PADR [47:32]m MAC Physical Address [47:32]. These two bytes represent the 16 most significant bits of the MAC physical address.

CSR Register: MAC Address Low
Register Address: 08h

Bit Names:

31	PADR [31:24]								24
23	PADR [23:16]								16
15	PADR [15:8]								8
7	PADR [7:0]								0

Reset State:

31	1	1	1	1	1	1	1	1	24
23	1	1	1	1	1	1	1	1	16
15	1	1	1	1	1	1	1	1	8
7	1	1	1	1	1	1	1	1	0

PADR [31:0], MAC Physical Address [31:0]. These four bytes represent the 32 least significant bits of the MAC physical address.

CSR Register: Multicast Address High
Register Address: 0Ch

Bit Names:

31	HT[63]	HT[62]	HT[61]	HT[60]	HT[59]	HT[58]	HT[57]	HT[56]	24
23	HT[55]	HT[54]	HT[53]	HT[52]	HT[51]	HT[50]	HT[49]	HT[48]	16
15	HT[47]	HT[46]	HT[45]	HT[44]	HT[43]	HT[42]	HT[41]	HT[40]	8
7	HT[39]	HT[38]	HT[37]	HT[36]	HT[35]	HT[34]	HT[33]	HT[32]	0

Reset State:

31	0	0	0	0	0	0	0	0	24
23	0	0	0	0	0	0	0	0	16
15	0	0	0	0	0	0	0	0	8
7	0	0	0	0	0	0	0	0	0

HT [63:32], Hash Table [63:32]. These bits represent the upper 32 bits of the 64-bit hash table that are used for hash table filtering. The multicast hash-filtering mode is detailed later in the data sheet.

CSR Register: Multicast Address Low
Register Address: 10h

Bit Names:

31	HT[31]	HT[30]	HT[29]	HT[28]	HT[27]	HT[26]	HT[25]	HT[24]	24
23	HT[23]	HT[22]	HT[21]	HT[20]	HT[19]	HT[18]	HT[17]	HT[16]	16
15	HT[15]	HT[14]	HT[13]	HT[12]	HT[11]	HT[10]	HT[9]	HT[8]	8
7	HT[7]	HT[6]	HT[5]	HT[4]	HT[3]	HT[2]	HT[1]	HT[0]	0

Reset State:

31	0	0	0	0	0	0	0	0	24
23	0	0	0	0	0	0	0	0	16
15	0	0	0	0	0	0	0	0	8
7	0	0	0	0	0	0	0	0	0

HT [31:0], Hash Table [31:0]. These bits represent the lower 32 bits of the 64-bit hash table that are used for hash table filtering. The multicast hash-filtering mode is detailed later in the data sheet.

CSR Register: MII Address
Register Address: 14h

Bit Names:

31	—	—	—	—	—	—	—	—	24
23	—	—	—	—	—	—	—	—	16
15	PHYA [4:0]					PHYR [4:2]			8
7	PHYR [1:0]		—	—	—	—	W/R	BUSY	0

Reset State:

31	0	0	0	0	0	0	0	0	24
23	0	0	0	0	0	0	0	0	16
15	0	0	0	0	0	0	0	0	8
7	0	0	0	0	0	0	0	0	0

PHYA[4:0], PHY Address [4:0]. This 5-bit address specifies the PHY address for 2-wire MII serial-management bus communication.

PHYR[4:0], PHY Register Select [4:0]. This 5-bit field specifies the PHY register to be accessed in 2-wire MII serial-management bus communication.

W/R, Write/Read. This bit is used to indicate whether a write or read operation is to be requested of the addressed PHY/PHY register.

0 = read

1 = write

BUSY, Busy. This status bit indicates when PHY communication is currently taking place on the MII serial-management bus. The application must wait until BUSY = 0 before modifying the MII address and MII data registers prior to each read/write operation.

0 = MII serial-management bus idle

1 = MII serial-management bus busy (write/read in progress)

CSR Register: MII Data
Register Address: 18h

Bit Names:

31	—	—	—	—	—	—	—	—	24
23	—	—	—	—	—	—	—	—	16
15	PHYD [15:8]								8
7	PHYD [7:0]								0

Reset State:

31	0	0	0	0	0	0	0	0	24
23	0	0	0	0	0	0	0	0	16
15	0	0	0	0	0	0	0	0	8
7	0	0	0	0	0	0	0	0	0

PHYD[15:0], PHY Data [15:0]. These 16 bits contain the data read from the PHY register following a read operation, or the data to be written to the PHY register prior to a write operation.

CSR Register: Flow Control
Register Address: 1Ch

Bit Names:

31	PAUSE [15:8]								24
23	PAUSE [7:0]								16
15	—	—	—	—	—	—	—	—	8
7	—	—	—	—	—	PCF	FCE	BUSY	0

Reset State:

31	0	0	0	0	0	0	0	0	24
23	0	0	0	0	0	0	0	0	16
15	0	0	0	0	0	0	0	0	8
7	0	0	0	0	0	0	0	0	0

PAUSE[15:0], Pause Time [15:0]. These bits are only valid in full-duplex mode. These 16 bits contain the value that is passed in the pause time field when a pause-control frame is generated. The format for the pause-control frame is shown in [Figure 4](#).

PCF, Pass Pause-Control Frame. This bit is valid for full-duplex mode only. This bit instructs the MAC whether or not to set the packet filter bit for pause-control frames.

0 = MAC decodes (if FCE = 1) but does not set the receive status word packet-filter bit (default)

1 = MAC decodes (if FCE = 1) and sets the packet-filter bit = 1 for pause-control frames

FCE, Flow Control Enable

0 = MAC flow control is disabled (default)

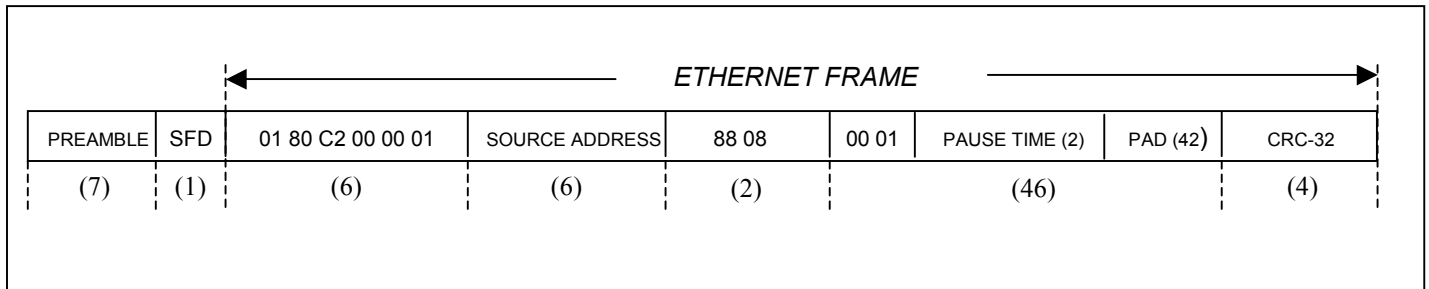
1 = MAC flow control enabled; pause-control frame for full-duplex, back-pressure for half-duplex

BUSY, Flow Control Busy. The BUSY bit is only valid in full-duplex mode. The BUSY bit should read logic 0 before initiating a pause-control frame. The BUSY bit should be set to logic 1 to initiate a pause-control frame. Upon successful transmission of a pause-control frame, the BUSY bit returns to logic 0.

0 = no pause-control frame currently being transmitted (default)

1 = initiate a pause-control frame

Figure 4. Pause-Control Frame



CSR Register: VLAN1 Tag
Register Address: 20h

Bit Names:

31	—	—	—	—	—	—	—	—	24
23	—	—	—	—	—	—	—	—	16
15	VLAN1 [15:8]								8
7	VLAN1 [7:0]								0

Reset State:

31	0	0	0	0	0	0	0	0	24
23	0	0	0	0	0	0	0	0	16
15	1	1	1	1	1	1	1	1	8
7	1	1	1	1	1	1	1	1	0

VLAN1 [15:0], VLAN1 Tag Identifier [15:0]. These 16 bits contain the VLAN1 tag that is compared against the 13th and 14th bytes of the incoming frame to determine whether it is a VLAN1 frame. If a non-zero match occurs, the max frame length is extended from 1518 Bytes to 1522 Bytes.

CSR Register: VLAN2 Tag
Register Address: 24h

Bit Names:

31	—	—	—	—	—	—	—	—	24
23	—	—	—	—	—	—	—	—	16
15	VLAN2 [15:8]								8
7	VLAN2 [7:0]								0

Reset State:

31	0	0	0	0	0	0	0	0	24
23	0	0	0	0	0	0	0	0	16
15	1	1	1	1	1	1	1	1	8
7	1	1	1	1	1	1	1	1	0

VLAN2 [15:0], VLAN2 Tag Identifier [15:0]. These 16 bits contain the VLAN2 tag that is compared against the 13th and 14th bytes of the incoming frame to determine whether it is a VLAN2 frame. If a non-zero match occurs, the max frame length is extended from 1518 Bytes to 1538 Bytes.

CSR Register: Wake-Up Frame Filter
Register Address: 28h

Bit Names:

31	WUFD [31:24]								24
23	WUFD [23:16]								16
15	WUFD [15:8]								8
7	WUFD [7:0]								0

Reset State:

31	0	0	0	0	0	0	0	0	24
23	0	0	0	0	0	0	0	0	16
15	0	0	0	0	0	0	0	0	8
7	0	0	0	0	0	0	0	0	0

WUFD [31:0], Wake-Up Frame Filter Data [31:0]. These 32 bits are used to access the four available network wake-up frame filters. Eight accesses to the wake-up frame filter register are needed to read or write all four wake-up frame filters.

CSR Register: Wake-Up Events Control and Status
Register Address: 2Ch

Bit Names:

31	—	—	—	—	—	—	—	—	24
23	—	—	—	—	—	—	—	—	16
15	—	—	—	—	—	—	GU	—	8
7	—	WUFF	MPF	—	—	WUFE	MPE	—	0

Reset State:

31	0	0	0	0	0	0	0	0	24
23	0	0	0	0	0	0	0	0	16
15	0	0	0	0	0	0	0	0	8
7	0	0*	0*	0	0	0	0	0	0

*Power-on reset only. Unaffected by other reset sources.

GU, Global Unicast

0 = frames must pass the destination address filter as well as the wake-up frame filter criteria in order to generate a wake-up event (default)

1 = frames must pass only the wake-up frame filter criteria to generate a wake-up event

WUFF, Wake-Up Frame Received Flag. This bit is set to logic 1 to indicate when a wake-up event was generated due to the reception of a network wake-up frame. Application software must clear this flag by writing a 1 to this bit.

MPF, Magic Packet Received Flag. This bit is set to logic 1 to indicate when a wake-up event was generated due to the reception of a Magic Packet. Application software must clear this flag by writing a 1 to this bit.

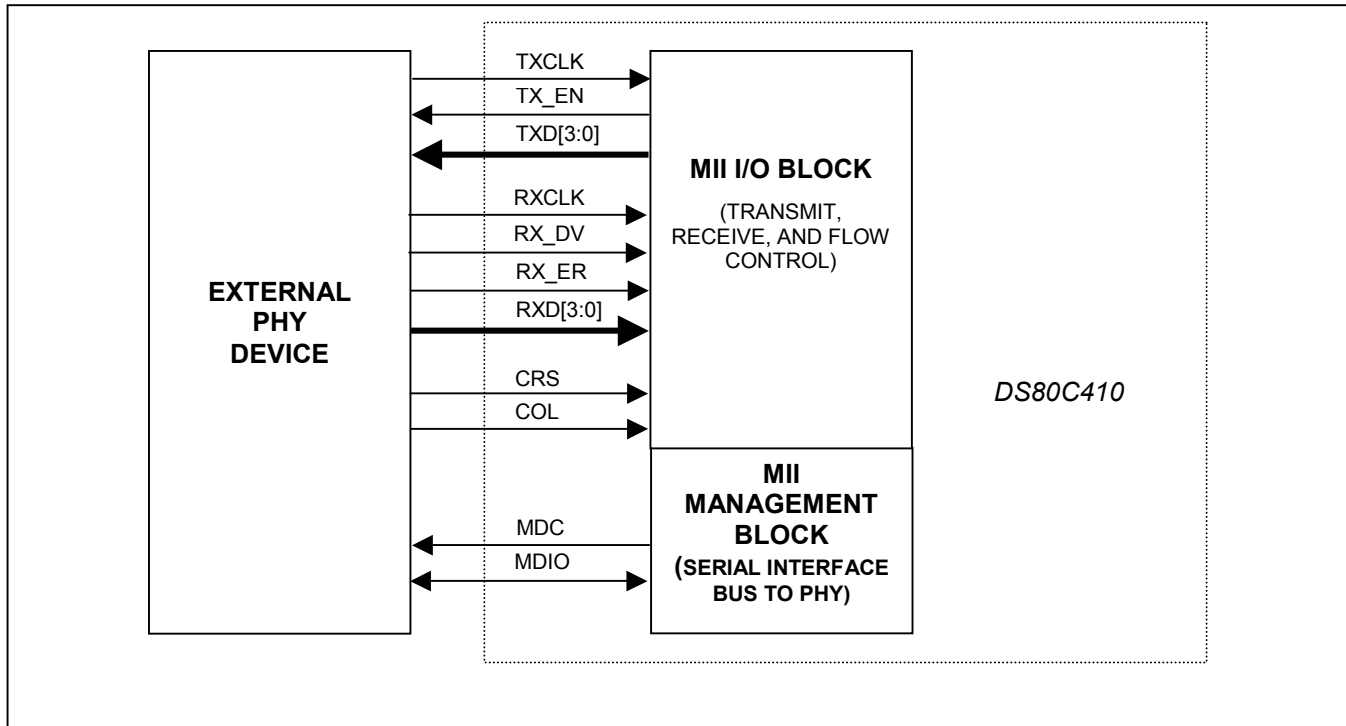
WUFE, Wake-Up Frame Enable. Setting this bit to logic 1 invokes sleep mode and allows the reception of network wake-up frame to generate a wake-up event.

MPE, Magic Packet Enable. Setting this bit to logic 1 invokes sleep mode and allows the reception of a Magic Packet to generate a wake-up event.

Media Independent Interface (MII)

The DS80C410 contains an IEEE 802.3 MII-compliant PHY interface. This interface contains two basic blocks. The MII I/O block provides independent transmit and receive data-path I/O and PHY network-status signal inputs. The MII management block implements a 2-wire serial communication bus to facilitate PHY register access. The block diagram in [Figure 5](#) shows the signals associated with the DS80C410 MII.

Figure 5. MII Block Diagram



MII Management Block

The MII management block allows the host to write control data to and read status from any of 32 registers in any of 32 PHY controllers. The MII management block communicates with external PHY(s) over a 2-wire serial interface composed of the MDC serial-clock output pin and the MDIO pin that serves as the I/O line for all address and data transactions. Data (MDIO) is valid on the rising edge of clock (MDC). The MII address (14h) and MII data (18h) CSR registers, outlined previously in the *CSR Register* section, are used by the CPU to monitor and control the 2-wire MII serial bus. A write to the CSR register MII address triggers the read or write operation. [Figure 6](#) shows the MII management frame format.

Figure 6. MII Management Frame Format

	PREAMBLE (32 bits)	START (2 bits)	OP CODE (2 bits)	PHY ADDRESS (5 bits)	PHY REGISTER (5 bits)	TURN AROUND (2 bits)	DATA (16 bits)	IDLE (1 bit)
READ	111...111	01	10	PHYA [4:0]	PHYR[4:0]	ZZ*	ZZ...ZZ*	Z
WRITE	111...111	01	01	PHYA [4:0]	PHYR[4:0]	10	PHYD[15:0]	Z

*During a read operation, the external PHY drives the MDIO line low for the second bit of the turnaround field to indicate proper synchronization, and then drives the 16-bits of read data requested.

MII I/O Block

The MII I/O block supports all of the transmit and receive data transactions between the DS80C410 MAC and the external PHY device as well as monitoring network status signals provided by the PHY.

The transmit interface is composed of TXCLK, TX_EN, and TXD[3:0]. The TXCLK input is the transmit clock provided by the PHY. For 10Mbps operation, the transmit clock (TXCLK) should be run at 2.5MHz. For 100Mbps, TXCLK should be run at 25MHz. The TXD[3:0] outputs provide the 4-bit (nibble) data bus for transmitting frame data to the external PHY. Each transmission begins when the TX_EN output is driven active high, indicating to the PHY that valid data is present on the TXD[3:0] bus.

The receive interface is composed of RXCLK, RX_DV, RX_ER, and RXD[3:0]. The RXCLK input is the receive clock provided by the external PHY. This clock (RXCLK) should be run at 2.5MHz for 10Mbps operation and at 25MHz for 100Mbps operation. The RXD[3:0] inputs serve as the 4-bit (nibble) data bus for receiving frame data from the external PHY. The reception begins when the external PHY drives the RX_DV input high, signaling that valid data is present on the RXD[3:0] bus. During reception of a frame (RX_DV = 1), the RX_ER input indicates whether the external PHY has detected an error in the current frame. The RX_ER input is ignored when not receiving a frame (RX_DV = 0).

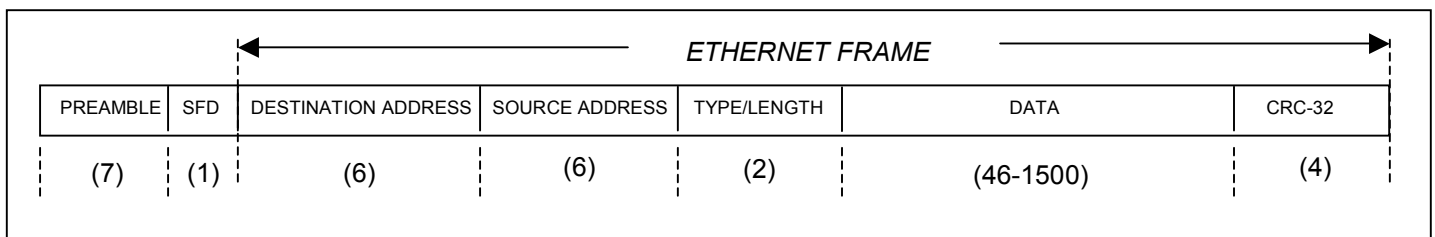
The MII also monitors two network status signals that are provided by the external PHY. The CRS (carrier sense) input is used to assess when the physical media is idle. The COL (collision detect) input is required for half-duplex operation to signal when a collision has occurred on the physical media.

Ethernet Frames

The basic purpose of the MII I/O block is to deliver and receive Ethernet frames to and from an external PHY, which controls the physical carrier. The format of the IEEE 802.3 Ethernet frame is shown in [Figure 7](#).

The preamble (7 Bytes) and start-of-frame delimiter (1 Byte) precede the Ethernet frame as a means of synchronizing to the start of the frame. The first two fields of the Ethernet frame are the destination address and the source address, each made up of 6 octets (bytes). The destination address field is the field examined by the address check block to determine whether the applied address filter criteria is met or not. The two bytes following the source address contain the Length or Type of frame. For Ethernet II (DIX) frames, these two bytes contain the Type field and the protocol for that specific frame type is embedded in the Data field. For frames where Length is specified in these two bytes, a header would typically follow in the Data field to convey type/protocol information for the frame (i.e., 802.2 or SNAP). Since the maximum Data field length for an Ethernet frame is 1500 Bytes, and all assigned frame types are greater than this value (1500d = 05DCh), one can easily distinguish whether the field holds Type or Length, allowing both kinds of frames to co-exist on the network. A special case occurs when the VLAN tag protocol ID (= 8100h) is encountered where the Length or Type is normally expected. The frame is then considered to be VLAN tagged. The VLAN frame format is described later.

Figure 7. IEEE 802.3 Ethernet Frame



Address Check Block

The address check block of the Ethernet controller monitors the destination address of all incoming packets and determines whether the address passes or fails the filter criteria configured by CPU. The outcome of this address filter test, along with bits signaling whether the frame is a broadcast or multicast frame, is reported by the BCU in a packet's receive status word.

All incoming frames can be classified as one of three types: unicast, multicast, or broadcast (a special type of multicast). A unicast frame contains a 0 in the first received bit of the destination address and is intended for a single node on the network. A multicast frame contains a 1 in the first received bit of the destination address and is intended for multiple devices on the network. A broadcast frame is a multicast frame containing all 1's in the destination address field and is intended for all network devices. Unless specifically disabled through the disable broadcast frame (DBF) bit in the CSR MAC control register (00h), broadcast frames are always received by the DS80C410 MAC.

The address filter criteria are established using five bits found in the CSR MAC control register (00h). Three basic filter possibilities exist: perfect, inverse, and hash. Perfect filtering requires that the destination address perfectly match the MAC physical address that has been assigned in CSR registers MAC address high (04h) and MAC address low (08h). Inverse filtering requires that the destination address be anything other than the assigned MAC physical address. Perfect and inverse filtering is only applied to unicast frames. Hash filtering uses a user-defined hash table contained in CSR registers multicast address high (0Ch) and multicast address low (10h) to detect a successful address match. [Figure 8](#) shows the five bits controlling the destination address filter. [Table 14](#) gives the valid bit combinations and resultant filter modes. Note that some of the address filter mode control bits can instruct the address check block to automatically pass or fail certain types of frames.

Figure 8. Address Filter Mode Control Bits

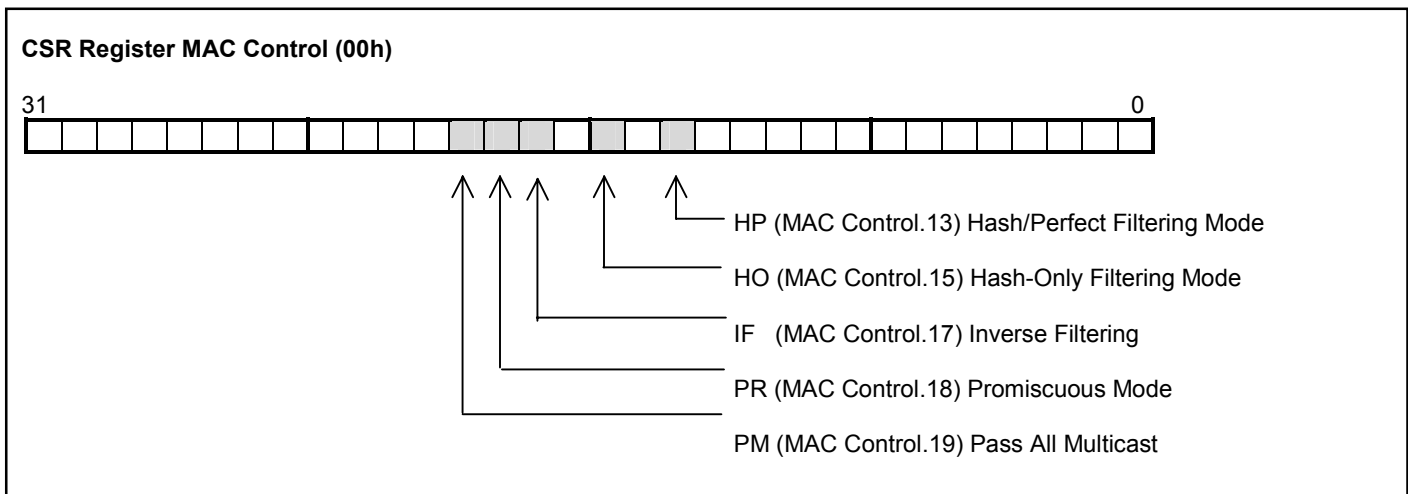


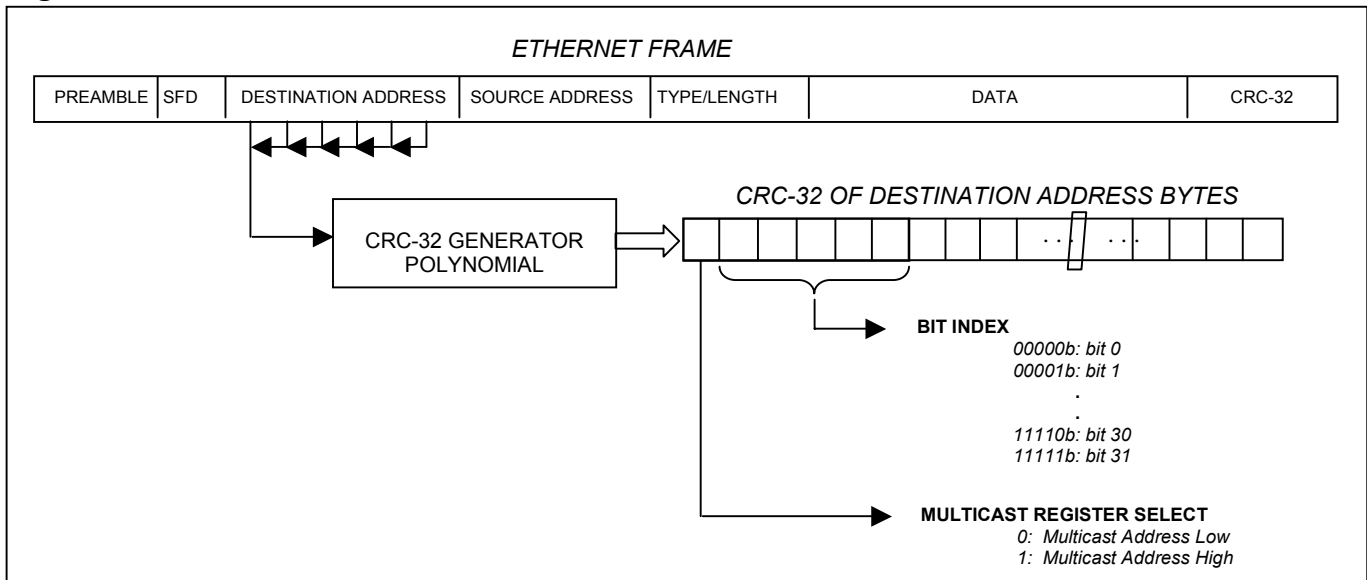
Table 14. Address Filter Modes

FILTER MODE CONTROL BITS					DESTINATION ADDRESS FILTER CRITERIA	
PM	PR	IF	HO	HP	UNICAST	MULTICAST
0	0	0	0	0	PERFECT	FAIL
0	0	1	0	0	INVERSE	FAIL
0	0	0	0	1	PERFECT	HASH
1	0	0	0	x	PERFECT	PASS
0	0	0	1	1	HASH	HASH
1	0	0	1	1	HASH	PASS
x	1	0	x	x	PASS (reset default state = 01000b)	

Multicast Hash Filter

Hash filtering of destination addresses requires that a hash table be established. The hash table must be programmed into the CSR multicast address low and multicast address high registers. When hash filtering has been selected, the 6 bytes of the destination address are passed through the internal CRC-32 logic. The most significant 6 bits of the resultant CRC-32 are used to index into the hash table. From those 6 bits, the most significant bit determines whether multicast address high or low is used, while the lower 5 bits provide the bit index into the selected CSR register. If the multicast address high or low register bit indexed by the upper 6 bits of the CRC-32 is programmed to 1, then the destination address passes. [Figure 9](#) shows the hash filtering process.

Figure 9. Hash Table Index Generation



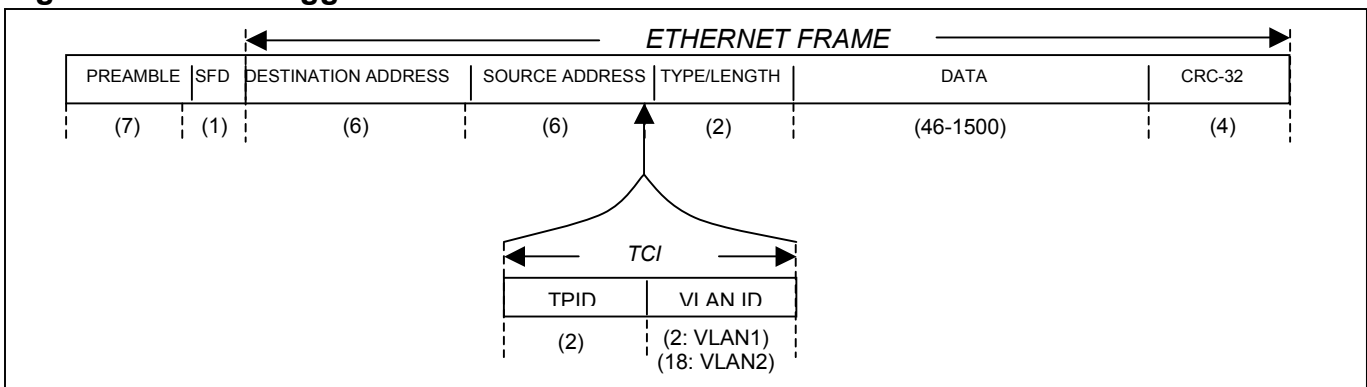
VLAN Support

The DS80C410 offers VLAN support through recognition of frames that are tagged as such. Each VLAN tag provides tag control information (TCI) containing a tag protocol ID (TPID) and VLAN ID. The incoming TPID occupy the 13th and 14th byte positions, those that would normally contain either the length or type field for the frame. The TPID is compared against the VLAN1 (20h) and VLAN2 (24h) CSR registers.

If a non-zero match occurs between the TPID and VLAN1 register setting, the frame is recognized as having a VLAN1 tag. For VLAN1 tagged frames, the TPID is followed by 2 Bytes containing the VLAN ID; therefore, the MAC extends the maximum legal frame length by a total of 4 Bytes (TPID = 2 Bytes, VLAN ID = 2 Bytes).

If a non-zero match occurs between the TPID and VLAN2 register setting, the frame is recognized as having a VLAN2 tag. For VLAN2 tagged frames, the TPID is followed by 18 Bytes containing the VLAN ID; therefore, the MAC extends the maximum legal frame length by a total of 20 Bytes (TPID = 2 Bytes, VLAN ID = 18 Bytes).

Figure 10. VLAN Tagged Frame

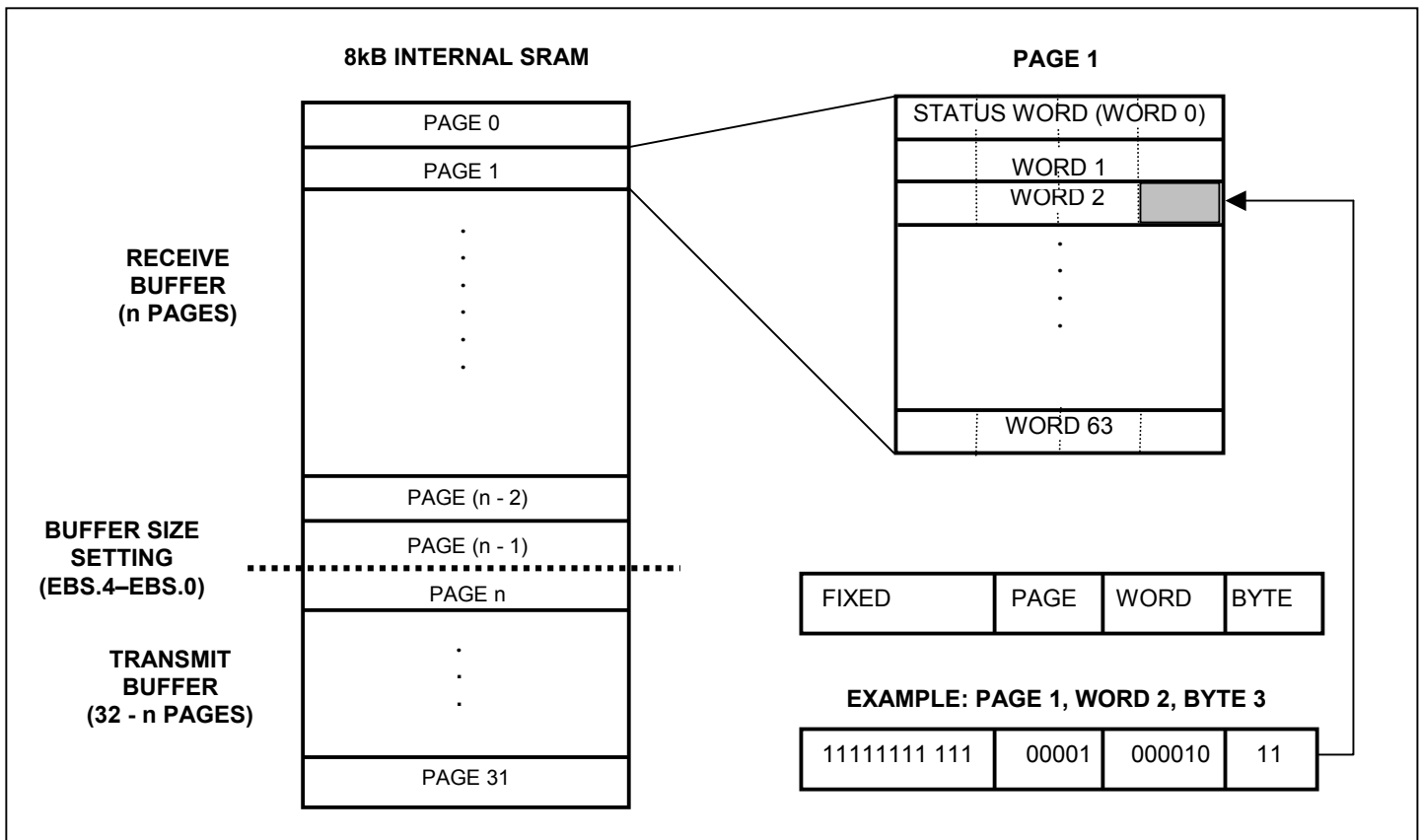


Transmit/Receive Packet Buffer Memory (8kB)

The DS80C410 Ethernet controller uses 8kB of internal SRAM as transmit/receive packet buffer memory. This SRAM is read/write accessible as data memory by the CPU using the MOVX instruction. The BCU also has access to this SRAM, and automatically writes/reads packet buffer memory whenever it needs to store or retrieve Ethernet packet information. The logical MOVX address range of the 8kB SRAM is fixed at FFE000h to FFFFFFFh.

When used for Ethernet packet buffer memory, the 8kB SRAM is logically configured into (32) pages of 64 words each, where a word consists of 4 Bytes. These 32 pages can be dynamically allocated between Ethernet transmit and receive buffer memory. The five least significant bits of the Ethernet buffer size (EBS; E5h) SFR specify how many pages are allocated for receive buffer memory. The remaining pages of the 32 are used as transmit buffer memory. Note that transmit and receive data packets can span multiple pages. The reset default state of the Ethernet buffer size select bits (EBS.4–EBS.0) is 00000b, which configures all 32 pages as transmit buffer memory. As an example, setting EBS.4–EBS.0 = 10000b would result in pages 0–15 (16 pages) being configured as receive buffer memory and pages 16–31 (16 pages) being configured as transmit buffer memory. A setting of 11111b leaves a single page (page 31) for transmit buffer memory and configures pages 0–30 (31 pages) as receive buffer memory. Changing the transmit/receive buffer-size settings flush the contents of the receive buffer and the receive FIFO. [Figure 11](#) is an illustration of the 8kB buffer memory map and addressing scheme.

Figure 11. Transmit/Receive Data Buffer Memory



Transmit/Receive Status Words

For each attempt made by the MAC to receive or transmit packet data, the BCU writes a 32-bit transmit or receive status word back to the first word of the starting page for the packet. This word provides status information needed by the CPU to determine when and what action should be taken.

Transmit Status Word

Bit Names:

31	RETRY	—	—	—	—	—	—	—	24
23	—	—	—	—	—	—	—	—	16
15	—	HBF	COL_CNT [3:0]				OLTCOL	DFR	8
7	NODAT	XCOL	LTCOL	XDFR	LSCRS	NOCRS	JABTO	ABORT	0

RETRY, Packet Retry. This bit indicates that the current transmit packet has to be retried because of a collision on the bus. The application has to restart the transmission of the frame when this bit is set to 1. When this bit is reset, it indicates that the transmission of the current frame is completed. The success or failure to transmit a frame is indicated by the framed aborted (ABORT) bit.

HBF, Heart-Beat Fail. This bit is only meaningful for ENDEC mode. This bit is not valid if the NODAT or XFDR bit is set.

0 = heart-beat collision check successful

1 = heart-beat collision check failed

COL_CNT [3:0], Collision Count. These four bits indicate the number of collisions that occurred before the frame was transmitted. Collision count is valid only in half-duplex mode and it is not valid when the excessive collisions (XCOL) bit is set.

OLTCOL, Late Collision Observed. This bit is only valid in half-duplex mode and is always set if the late collision abort (LTCOL) bit is set in the status word.

0 = no late collisions observed

1 = late collision (collision after the first time slot) observed.

DFR, Deferred. This bit is only valid in half-duplex mode.

0 = no deferral required for the frame transmission attempt

1 = MAC had to defer while waiting to transmit because the carrier was not idle

NODAT, Underrun

0 = transmit frame was not aborted due to data underrun

1 = transmit frame aborted because the MAC did not have sufficient data to complete the current frame transmission

XCOL, Excessive Collisions. This bit is only valid in half-duplex mode.

0 = transmit frame was not aborted due to excessive collisions

1 = transmit frame aborted because of excessive collisions (16 transmit attempts unless DRTY = 1)

LTCOL, Late Collision. This bit is only valid in half-duplex mode.

0 = transmit frame was not aborted due to a late collision

1 = transmit frame aborted due to collision occurring after the collision window of 64 Bytes. This bit is not valid if the NODAT bit is set.

XDFR, Excessive Deferral. This bit is only valid in half-duplex mode when the MAC control register bit DFR is set.

0 = transmit frame was not aborted due to excessive deferral

1 = transmit frame aborted due to deferral of over 24,288 bit times

LSCRS, Loss of Carrier. This bit is only valid in half-duplex mode.

0 = transmit frame was not aborted due to loss of carrier

1 = transmit frame aborted due to loss of carrier (CRS = 0 during the frame transmission)

NOCRS, No Carrier. This bit is only valid in half-duplex mode.

0 = transmit frame was not aborted due to lack of carrier

1 = transmit frame aborted due to lack of carrier (CRS = 0 when transmit frame initiated)

JABTO, Jabber Timeout

0 = transmit frame was not aborted due to jabber timeout

1 = transmit frame aborted due to jabber timeout (MAC transmitter has been active for twice the Ethernet max frame length)

ABORT, Frame Aborted

0 = transmit frame was not aborted

1 = transmit frame was aborted by the MAC due to one of the following conditions: jabber timeout, no carrier, loss of carrier, excessive deferral, late collision, retry count exceeds the attempt limit, and data underrun

Receive Status Word

Bit Names:

31	MF	PF	FF	BCF	MCF	UCTRL	CTRL	LEN	24
23	VLAN2	VLAN1	CRC	DRIB	MII_ER	TYPE	COL	LONG	16
15	RUNT	WDOG	FLEN [13:8]						8
7	FLEN [7:0]								0

MF, Missed Frame

0 = receive frame was not missed

1 = receive frame missed

PF, Packet Filter

0 = current frame failed the packet filter

1 = current frame passed the packet filter

FF, Filter Fail

0 = destination address of the current receive frame passed the applied address filter

1 = destination address of the current receive frame failed the applied address filter

BCF, Broadcast Frame

0 = receive frame is not a broadcast frame

1 = receive frame is a broadcast frame (i.e., destination address is all ones)

MCF, Multicast Frame

0 = receive frame is not a multicast frame

1 = receive frame is a multicast frame (i.e., first bit of the destination address is a 1)

UCTRL, Unsupported Control Frame. This bit is only valid in full-duplex mode.

0 = receive frame is not an unsupported control frame

1 = receive frame is a control frame that is not supported (i.e., one that contains an op code field that is not supported or one that is not equal to the 64-Byte minimum frame size)

CTRL, Control Frame. This bit is only valid in full-duplex mode.

0 = receive frame is not a control frame

1 = receive frame is a control frame

LEN, Length Error. The frame length check is performed only when type/length field contains frame length (TYPE = 0). When the data field contains more bytes than specified in the length field, these bytes are assumed to be pad bytes.

0 = receive frame passed the frame length check

1 = receive frame contained fewer bytes than specified in the length field

VLAN2, Two_Level VLAN Frame

0 = receive frame did not contain a VLAN tag that matched the VLAN2 register

1 = receive frame 13th and 14th bytes matched the two-level VLAN tag register (VLAN2)

VLAN1, One_Level VLAN Frame

0 = receive frame did not contain a VLAN tag that matched the VLAN1 register

1 = receive frame 13th and 14th bytes matched the one-level VLAN tag register (VLAN1)

CRC, CRC Error. This bit is also set to 1 if the RX_ER pin is asserted by the PHY during a reception, even if the CRC-32 for the frame is correct.

0 = CRC-32 error was not detected for the receive frame

1 = CRC-32 error was detected for the receive frame

DRIB, Dribbling Bit. This bit is not valid if the COL or RUNT bits are set to 1. If DRIB = 1 and CRC = 0, then the packet is valid.

0 = receive frame did not contain any dribbling bits

1 = receive frame contained dribbling bits (a noninteger multiple of 8 bits)

MII_ER, MII Error

0 = PHY did not assert the RX_ER signal during reception of the frame

1 = PHY asserted the RX_ER signal (indicating an error was detected) during the receive frame

TYPE, Frame Type. This bit is not valid for runt frames less than 14 Bytes.

0 = length specified in the length/type field (i.e., value equal or less than 1500)

1 = type specified in the length/type field (i.e., value greater than 1500)

COL, Collision Seen

0 = receive frame did not incur any collisions

1 = receive frame is damaged by a late collision (one that occurred after the first 64 bytes)

LONG, Frame Too Long. This bit only serves as a status indicator and does not cause frame truncation.

0 = receive frame did not exceed the maximum frame length check

1 = receive frame exceeded the maximum frame length (1518 Bytes, unless VLAN tagged)

RUNT, Runt Frame

0 = receive frame is not a runt frame (<64 Bytes)

1 = receive frame does not meet the minimum required frame size (64 Bytes = 1 time slot) due to a collision or premature frame termination

WDOG, Watchdog Timeout. The FLEN[13:0] field is not valid when this bit is set.

0 = MAC watchdog timer did not timeout during the receive frame

1 = MAC watchdog timer timed out during the receive frame. The watchdog timer is programmed to twice the maximum frame length (3036 bit times).

FLEN [13:0], Frame Length [13:0]. This field indicates the receive frame length in bytes, including zero padding pad (if applicable) and the CRC-32 field, unless automatic pad stripping has been enabled (ASTP = 1). When ASTP = 1, the frame length includes only the data field.

Ethernet Interrupts

The DS80C410 Ethernet controller supports two interrupt sources: Ethernet power-mode interrupt and the Ethernet activity interrupt. Each interrupt source has its own enable, priority, and flag bits. The locations of these bits are documented in the interrupt vector table later in the data sheet ([Table 26](#)). Both interrupt sources are globally enabled or disabled by the EA bit in the IE SFR and both require that the interrupt flags be manually cleared by application software. The Ethernet power-mode interrupt source, if enabled, can be generated on the reception of a Magic Packet or network wake-up frame while the Ethernet controller is in sleep mode. The Ethernet activity interrupt can be triggered when the BCU reports the status of either a transmit or receive packet.

Power Management Block

The DS80C410 Ethernet controller contains a power management block that allows it to be put into a sleep mode by the CPU, thus conserving power when not actively handling Ethernet traffic.

Sleep mode can be invoked in two different ways. The CPU can issue the 'Enable Sleep Mode' command to the BCU by simply writing the BCUC SFR = 1100b. Alternatively, the Ethernet controller is put into sleep mode when one or both of the possible wake-up frame sources are enabled. The enable bits for these two wake-up sources, network wake-up frame and Magic Packet frame, are located in the CSR wake-up frame control and status register (2Ch). If the network wake-up frame is intended as a wake-up source, the CSR wake-up frame filter register (28h) should be programmed accordingly prior to invoking sleep mode.

If sleep mode is invoked using the 'Enable Sleep Mode' command, the Ethernet controller can be awakened by the 'Disable Sleep Mode' command or by either of the two special wake-up frames. If sleep mode is invoked by enabling one or both wake-up frame sources, only the enabled wake-up frame(s) can remove the condition. To resume normal Ethernet operation, all enable bits and flag bits (including EPMF of the BCUC SFR) should be cleared and if the 'Enable Sleep Mode' command was used to invoke sleep mode, then the 'Disable Sleep Mode' command must be issued.

Magic Packet and Network Wake-Up Frame

The power management block recognizes two types of frames, Magic Packet and network wake-up frame, as capable of awakening the Ethernet controller from sleep mode. In order for either type of frame to serve as a wake-up source, it must be programmed to do so.

A Magic Packet is an error-free frame that passes the current destination address filter and that, anywhere after the source address, contains a data sequence of FFFF_FFFF_FFFFh immediately followed by 16 iterations of the MAC physical address. When a Magic Packet is detected by the power management block, the Magic Packet-received bit (bit 5 of CSR wake-up events control and status register) is set, and an interrupt request to the CPU is generated if enabled (EPMI = 1).

A network wake-up frame is one that passes any of the four user-defined frame filters that have been programmed into the CSR wake-up frame filter register (28h) and passes the destination address filter (if GU = 0). Each filter is composed of a command, an offset, a byte mask, and a CRC. The command nibble contains a bit (MSB of command) to select whether unicast (= 0) or multicast (= 1) frames are to be checked and a bit (LSB of command) used to disable (= 0) or enable (= 1) that individual frame filter. The offset defines the location of the first byte to be checked in each potential wake-up frame. Since the destination address is checked by the address check block, the offset should always be greater than 12. The byte mask is used to define which of the 31 bytes, beginning at the offset, are to be used for the CRC calculation. Bit 31 of the byte mask is always 0, but for each bit *j* of the byte mask that is set to a logic 1, byte (offset + *j*) is included in the CRC-16 calculation. The CRC contains the CRC-16 of the pattern bytes needed to cause a wake-up event. When a network wake-up frame is recognized, the wake-up frame received bit (bit 6 of CSR wake-up events control and status register) becomes set and an interrupt request to the CPU is generated if enabled (EPMI = 1). The wake-up frame-filter register structure is shown in [Figure 12](#).

Figure 12. Wake-Up Frame-Filter Structure

31								0																							
FILTER 0 BYTE MASK																															
FILTER 1 BYTE MASK																															
FILTER 2 BYTE MASK																															
FILTER 3 BYTE MASK																															
RESERVED				FILTER 3 COMMAND				RESERVED				FILTER 2 COMMAND				RESERVED				FILTER 1 COMMAND				RESERVED				FILTER 0 COMMAND			
FILTER 3 OFFSET								FILTER 2 OFFSET								FILTER 1 OFFSET								FILTER 0 OFFSET							
FILTER 1 CRC-16																FILTER 0 CRC-16															
FILTER 3 CRC-16																FILTER 2 CRC-16															

Embedded TINI ROM Firmware

The DS80C410 incorporates an embedded ROM specifically designed for hosting the TINI® runtime environment and the TINI C libraries. The ROM firmware implements three major components: a full TCP/IPv4/6 stack with industry-standard Berkeley socket interface, a preemptive task scheduler, and NetBoot functionality. The NetBoot component uses the TCP/IP stack, socket layer, and task scheduler to provide automatic network boot capability. NetBoot allows an application to be downloaded from the network and executed by the microcontroller.

To use the ROM firmware, the system is required to have the following hardware components:

- 64kB SRAM memory, internal on the DS80C410 and DS80C411, mapped (Note 1) at address locations 000000h–00FFFFh
- Memory (SRAM or flash) to store user-application code
- DS2502P-E48 1-Wire chip, to hold physical MAC address (Note 2)
- External crystal or oscillator (Note 3)

Note 1: Merged program/data memory configuration is required.

Note 2: Java applications and NetBoot require a DS2502P-E48. Applications written in C can program the MAC address directly and do not require the use of the DS2502P-E48.

Note 3: NetBoot functionality requires external clock frequency to be at least 7MHz. Clock doubler is not turned on until after NetBoot. Thus, 100Mbps NetBoot is not possible unless the external clock source is at least 25MHz.

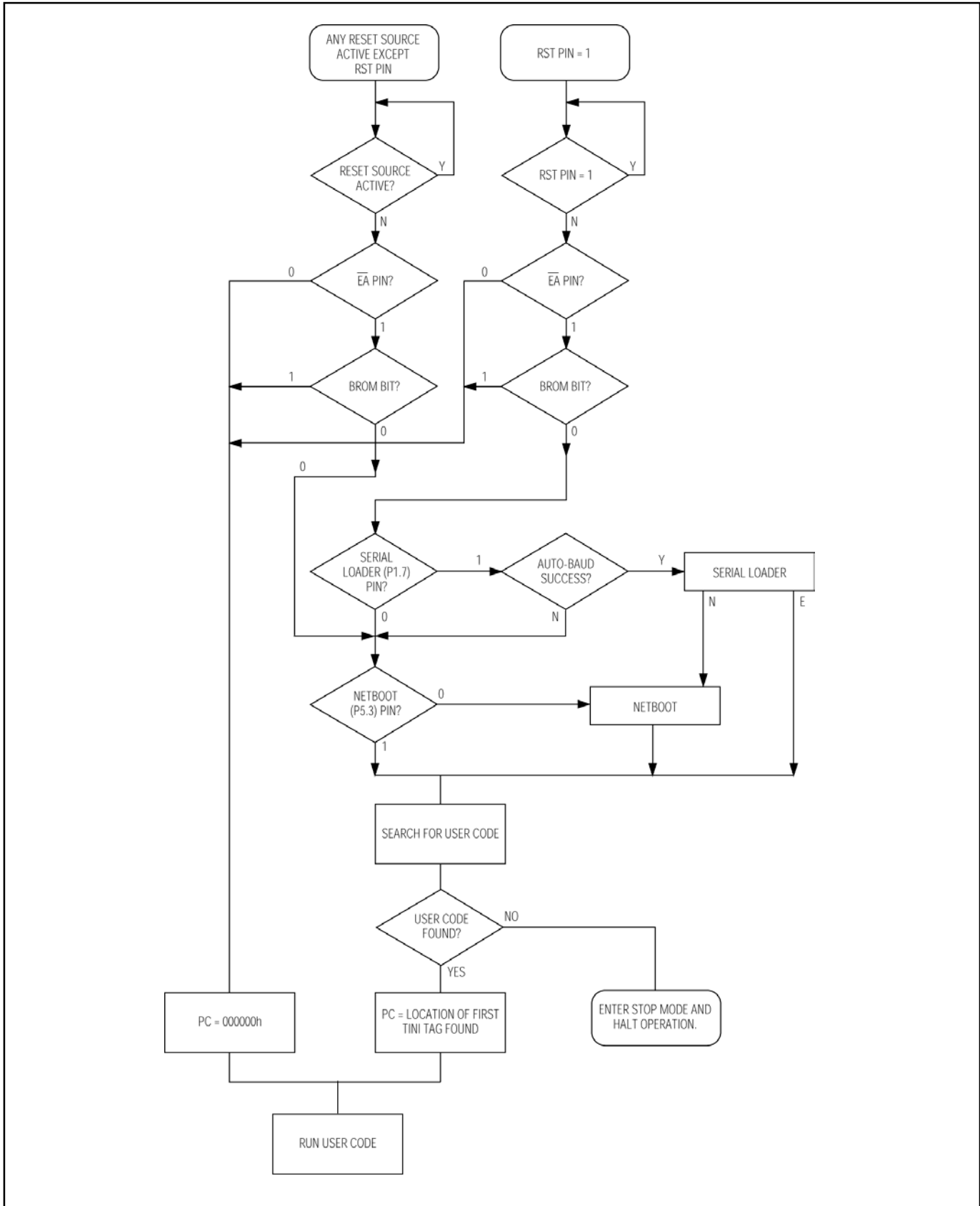
Selecting DS80C410 ROM Code Execution

The DS80C410, following each reset, begins execution of program code at address location 000000h. Since the DS80C410 contains internal ROM and supports external program code, the user must select which of these two program memory spaces should be accessed for initial program fetching. There are two mechanisms that control selection of the internal DS80C410 ROM code. These two controls are the \overline{EA} pin and the bypass ROM (BROM) SFR bit. No matter the state of the BROM bit, if the \overline{EA} pin is held at a logic low level, the DS80C410 ROM code is not entered and is not accessible to the user code. If the \overline{EA} pin is at a logic high level, the BROM bit is then examined to determine whether the internal DS80C410 ROM should be executed or bypassed. If BROM = 0, the ROM code is executed. Otherwise (BROM = 1), the ROM code is bypassed and execution is transferred to external user code at address 000000h. The BROM bit defaults to 0 on a power-on reset, but is unaffected by other reset sources. This code selection process can be seen in [Figure 13](#).

DS80C410 ROM Code Execution Flow

Once the internal DS80C410 ROM code has been selected ($\overline{EA} = 1$, BROM = 0), it must first execute some basic configuration code to provide functionality to subsequent ROM operations. Next, the ROM code reads the state of port pin P1.7. The ROM associates the logic state of P1.7 with the user desire to invoke the serial loader function. If the serial loader pin (P1.7) is a logic 1, the ROM monitors for activity on serial port 0 and tries to respond to the external host with its own serial banner. Once serial communication has been established at a supported baud rate, signified by correct reception of the DS80C410 loader banner and prompt, the user can issue commands. The serial loader commands are described later in the data sheet. If the serial loader pin is pulled to a logic 0, the ROM reads the state of port pin P5.3. Much like the association made between P1.7 and invocation of the serial loader, the ROM links the logic state of P5.3 with the user desire to begin the NetBoot process. If the NetBoot pin (P5.3) is asserted (logic 0), the ROM initiates the NetBoot process. If the NetBoot pin is not asserted (logic 1), the ROM executes the find-user-code routine to identify executable user code. [Figure 13](#) illustrates the ROM decisions described above.

Figure 13. ROM Code Boot Sequence

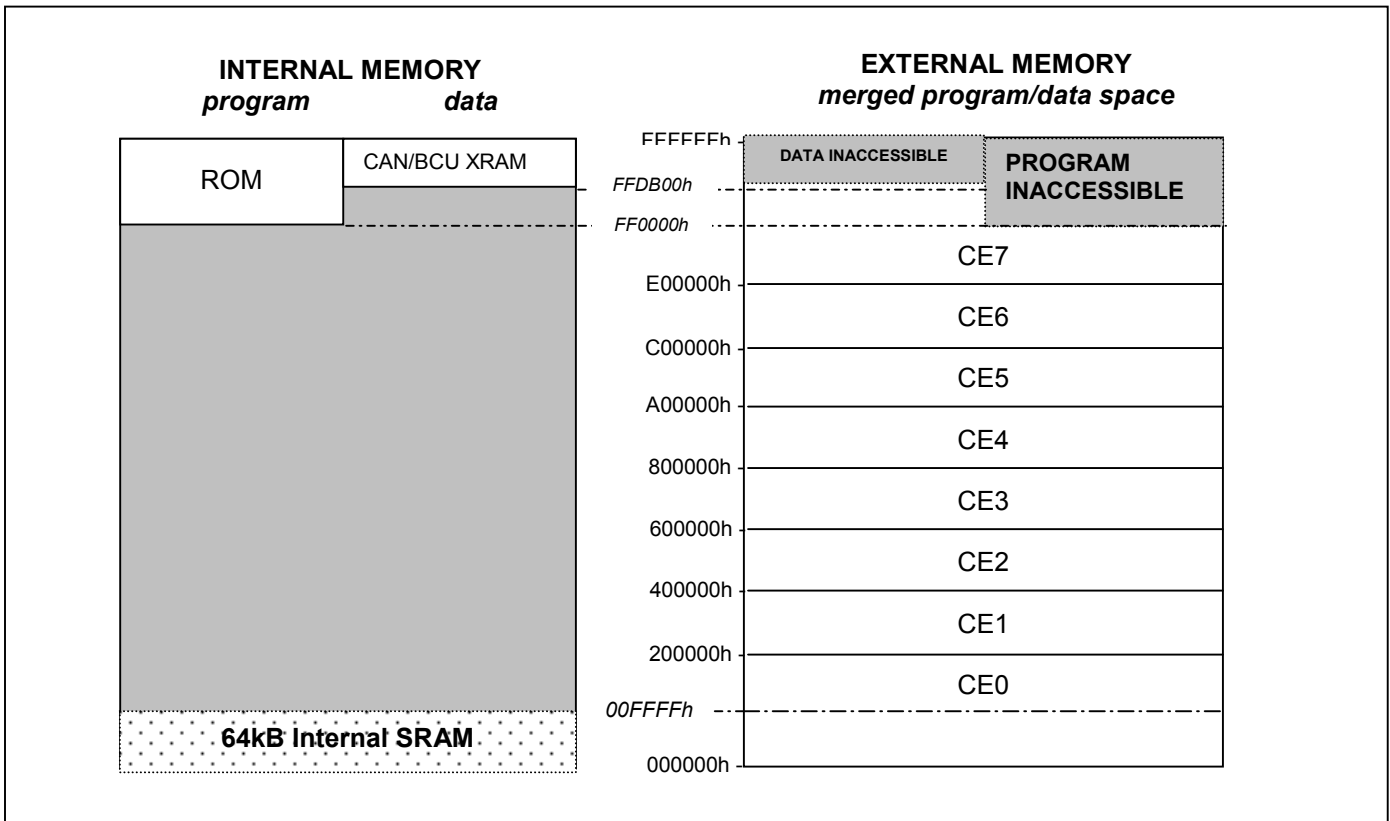


DS80C410 ROM Initialization Code

The DS80C410 firmware automatically executes Initialization Code (ROM_Init) to generate the memory map as shown in [Figure 14](#) and configure the hardware as follows:

- | | |
|--|--------------------|
| Enables 24-bit contiguous address mode | (ACON.1:0 = 11b) |
| Logically relocates ROM to addresses FF0000h–FF7FFFh | (ACON.5 = 1) |
| Enables CE0–3, 2MB/chip enable | (P4CNT = 2Fh) |
| Enables PCE0–3 | (P5CNT = 07h) |
| Enables CE4–7, 1M/peripheral chip enable | (P6CNT = 27h) |
| Merged program/data CE0–3, relocate internal XRAM | (MCON = AFh) |
| Enables extended 1kB stack option | (ACON.2 = 1) |
| Configure to maximum MOVX stretch value | (CKCON.2:0 = 111b) |
| Configure UARTs for Mode 1 serial operation | |

Figure 14. Memory Map Following Execution of ROM_Init on DS80C410/DS80C411



Serial Loader

The serial loader function implemented by the firmware can be invoked by leaving the serial loader pin (P1.7) at logic 1 during the boot sequence. When this condition is found, the ROM monitors the RXD0 pin for reception of the <CR> character (0Dh) at a supported baud rate. The serial loader function uses hardware serial port 0 in mode 1 (asynchronous, one start bit, eight data bits, no parity, and one stop bit in full duplex). The serial loader can automatically detect certain baud rates and configure itself to that speed. The equation below is used to calculate the nearest integer-reload value for Timer 2 (used for serial port 0 baud rate generation) based on the external clock frequency and desired baud rate. The calculated (nearest integer) RCAP2H, RCAP2L reload value may not result in an exact baud rate match. The calculated reload value and clock frequency can be used in the equation to solve for the baud rate configurable by the DS80C410. It is advised that the baud rate mismatch be no greater than $\pm 2.5\%$ to maintain reliable communication. The functionality was designed to work for clock rates from 3.680MHz to 75.000MHz and baud rates from 2400 to 115,200.

$$\text{RCAP2H, RCAP2L} = 65,536 - \frac{\text{Oscillator Clock Frequency}}{32 \times \text{Baud Rate}}$$

For example, suppose an 18MHz crystal is being used and a 19,200 baud rate is desired. The above equation yields a nearest integer reload value of FFE3h. This reload value results in a true baud rate of 19396.6 (+1% error).

Once a supported baud rate has been detected, the DS80C410 transmits an ASCII text banner containing copyright information and prompt for command entry. At this point, the user can issue any of the supported serial loader commands. A summary of the supported serial loader commands can be seen in [Table 15](#). A detailed description of each command and further information pertaining to the serial loader can be found in the *High-Speed Microcontroller User's Guide: Network Microcontroller Supplement*.

Table 15. Serial Loader Command Summary

COMMAND	FUNCTION
B	Bank select
C	CRC-16 of memory range
D	Dump Intel hex data from selected bank
E	Exit the loader and try to execute code
F	Fill selected bank memory with hex data
G	Go: Start executing code at offset 0 in the current bank
H, ?	Help: Display ROM version and current bank
L	Load Intel hex into memory
N	NetBoot
V	Verify memory against incoming hex
T2	Enable clock doubler
T8	Enable/Disable load of internal 64kByte RAM
X	Execute code at a given offset in the current bank
Z	Zap: Erase/clear the current bank.

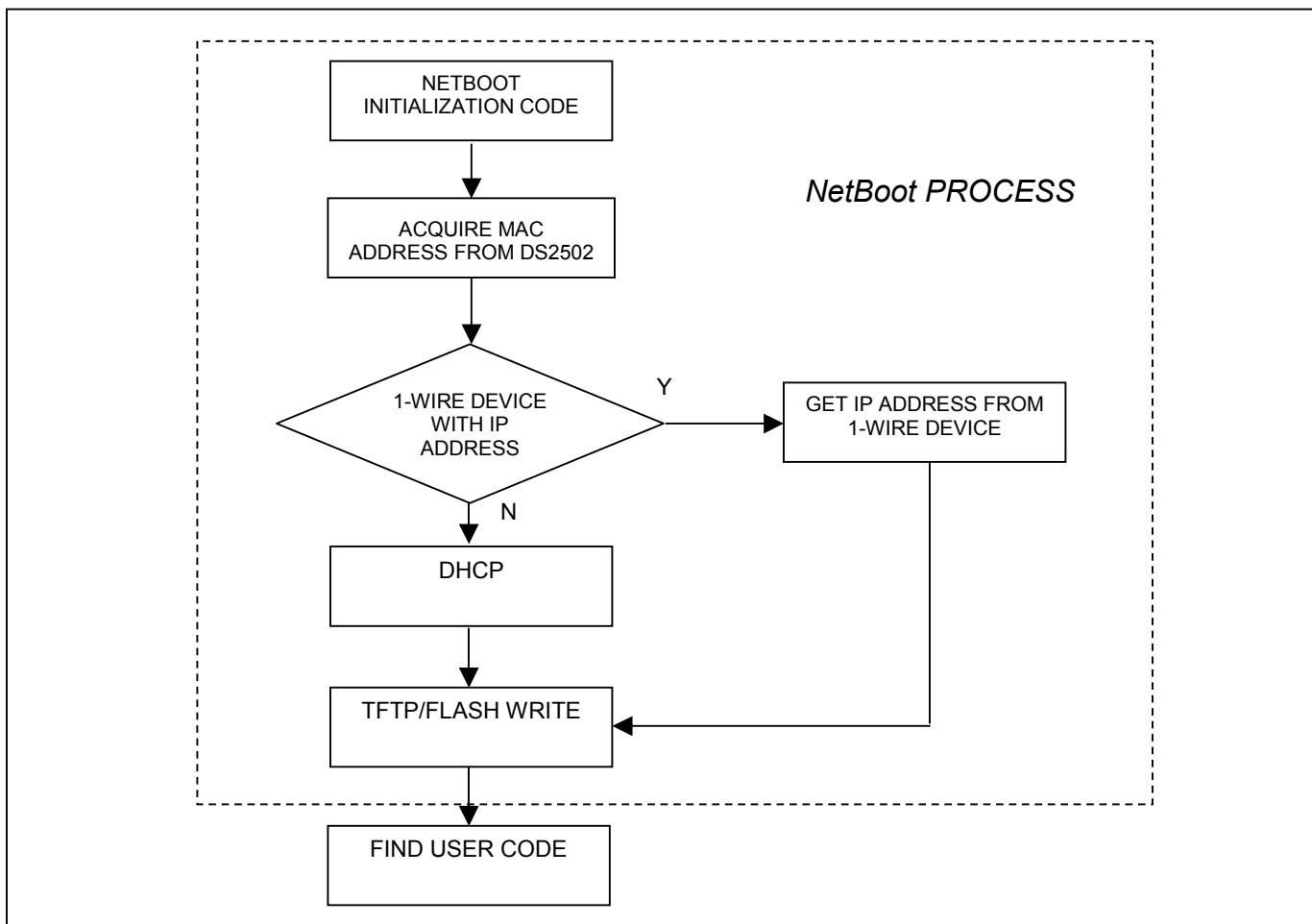
NetBoot

The NetBoot process affords the user flexibility to download or update code remotely over the network. This capability is quite powerful. Not only does it make firmware revisions trivial, but it also makes remote diagnostics very practical. Also, since NetBoot can automatically reload the latest version of the user application code, the system designer now has the option to select volatile SRAM for code storage.

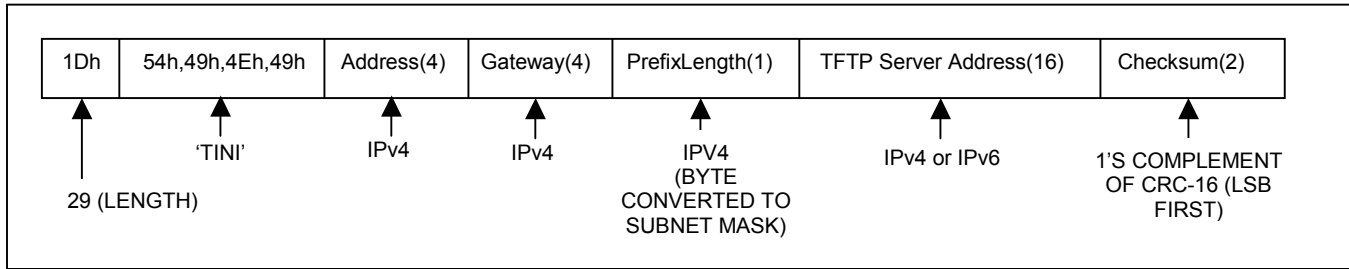
For the NetBoot function to work, the DS80C410 ROM firmware must initialize certain hardware components and create the environment needed to support the process. The NetBoot initialization code implements a primitive memory manager, kicks off the task scheduler, and initializes the 1-Wire hardware, Ethernet driver, TCP/IP stack, and socket layer.

Once the NetBoot initialization code has completed, the true network boot process can begin. The DS80C410 Ethernet MAC first must be assigned a physical address. Within the NetBoot process, the physical MAC address can only be acquired through an external DS2502-(E48) 1-Wire chip. Hence, this 1-Wire chip, containing the MAC address, is required for successful NetBoot operation. [Figure 15](#) shows the NetBoot code flow chart.

Figure 15. NetBoot Code Flow Chart



Next, the DS80C410 ROM searches the 1-Wire bus for an external device (separate from the device containing the MAC address) that contains an IP address and TFTP server IP address. In order to correctly acquire the IP and TFTP server addresses from an external 1-Wire device, the data read from the device must conform to a specific format. This format is shown in [Figure 16](#).

Figure 16. 1-Wire IP and TFTP Server IP Address Format

If the IP and TFTP server addresses cannot be acquired from a 1-Wire device, the NetBoot process uses DHCP to get this information. The DS80C410 broadcasts its MAC address in a DHCP discover packet. A DHCP server, if available, should then respond with an IP address offering. The DS80C410 subsequently requests the IP address, to which the DHCP server must acknowledge. In the DHCP acknowledge packet, the TFTP server IP address is then read from the “next server IP” field. Because some DHCP servers do not allow configuration of the “next server IP” field, the DS80C410 recognizes the site-specific option 150 (also used on Cisco IP phones to get TFTP server IP addresses). When option 150 is present in the acknowledge packet, it will take precedence over the “next server IP” field.

Now armed with an IP address and TFTP server IP address, the DS80C410 tries to find code to be loaded into external program memory. The DS80C410 ROM first requests to read the file from the TFTP server coinciding with a “!” prepended to its unique physical MAC address (e.g., !006035AB9811). If the request is successful, NetBoot is immediately terminated. If the request is denied, it issues a second request for its unique MAC address (e.g. 006035AB9811). If this request is unsuccessful, it issues a third, less specific, request to read the filename associated with the ROM revision (e.g. TINI400-1.2.0). If this request is denied, then lastly it attempts to read from the TFTP server the file ‘TINI400.’ Using this strategy, the TFTP server operator can distinguish between different devices and/or different releases of the Dallas Semiconductor Networked Microcontroller ROM firmware (DS80C400, DS80C410 and DS80C411).

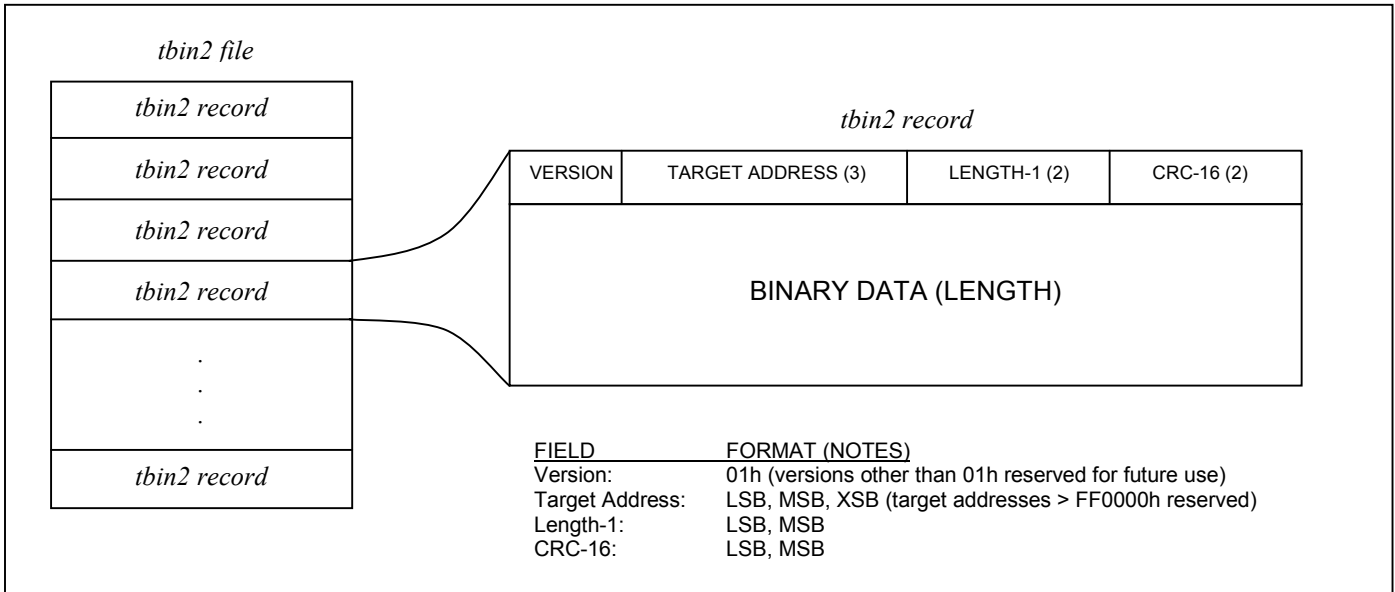
After successfully locating the desired file on the TFTP server, the DS80C410 must transfer and program the file into memory. Currently, the DS80C410 only offers programming support for internal/external SRAM and AMD compatible flash memory devices. The NetBoot code expects the transferred file to be in the Dallas *tbin2* format. The *tbin2* format consists of one or more records, allowing binary concatenation of multiple images into one file. [Figure 17](#) illustrates the *tbin2* file format.

For each 64kB bank to be programmed, the DS80C410 ROM first performs a CRC-16 of the current memory bank contents. If the CRC-16 of the current memory matches the data to be programmed, the bank is left alone. If the CRC-16 differs, it performs a couple of write/read-back operations to assess whether the bank is flash or SRAM and then executes the erasure (if flash) and programming.

After completion of the TFTP server file transfer and programming of external memory, the NetBoot process concludes by updating a ‘previous TFTP success’ flag and executing the ROM find-user-code routine.

If either DHCP or the TFTP transfer fail, the NetBoot code checks whether the TFTP transfer has been successful in a previous attempt (note that this feature requires cooperation by the user application). If so, the DS80C410 ROM exits NetBoot and transfers execution to the find-user-code routine. If the TFTP transfer has not been successful in the past, the DS80C410 ROM allows the watchdog timer to reset the DS80C410.

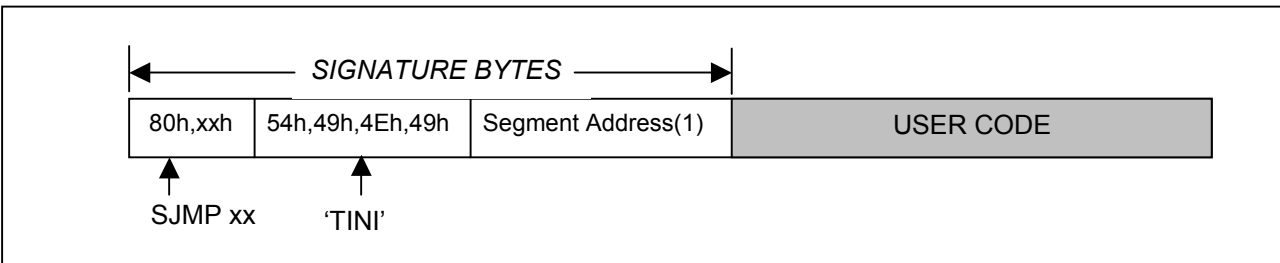
Figure 17. Dallas *tbin2* Record and File Format



Find-User Code

The DS80C410 ROM firmware attempts to find valid user code by searching for specific signature bytes. First, the address C000h in the internal RAM is checked. If unsuccessful, the ROM starts a search at the beginning of each 64kB block of memory. The search begins at address location C00000h and continues downward through memory in decrements of 64kB until executable code is located or failure occurs (search terminates at 000000h). For the find-user-code routine to judge a block of memory as valid executable code, it must be tagged with the signature bytes shown in [Figure 18](#).

Figure 18. User Code Signature (Required by Find-User Code)



Once a valid signature is found, the signature byte at offset 6, referred to in [Figure 18](#) as the segment address, is examined to determine whether execution control should be transferred immediately or whether the search should continue. If the segment address byte equals 00h or matches the most significant address byte for the 64kB block being examined, execution is transferred to the user code. If the segment address byte does not match, that segment address byte is used to determine the next memory block examined for a valid signature.

Exported ROM Functions

The DS80C410 ROM firmware implements many functions that are made accessible to the user application code. In order for user application code to call a specific function, the location of that function must be known. The absolute address location of each DS80C410 ROM function must be read from an export table (also found in the ROM). To allow flexibility for future ROM firmware structural changes and improvements, the export table itself is not connected to a specific address range, but instead a 3-Byte pointer to the start of the export table is fixed at addresses FF0002h (XSB), FF0003h (MSB), and FF0004h (LSB). The first three bytes of the export table contain the quantity of function entries in the export table. In 3-Byte increments, following the first three bytes, the rest of the table contains absolute address locations for the exported ROM functions. Thus, once the export table location has been discovered, the index for a given function/structure ([Table 16](#)) can be used to find its absolute address (Function address = ExportTable[Index x 3]). [Figure 19](#) illustrates the method for locating the export table and a

specific ROM function. [Table 16](#) shows the contents of the ROM export table. Brief descriptions of the functionality provided by the TCP/IP stack, socket layer, and task manager are included after the table, while the full details for these and other exported ROM functions are covered in the *High-Speed Microcontroller User's Guide: Network Microcontroller Supplement*.

Figure 19. Finding the Location of an Exported ROM Function

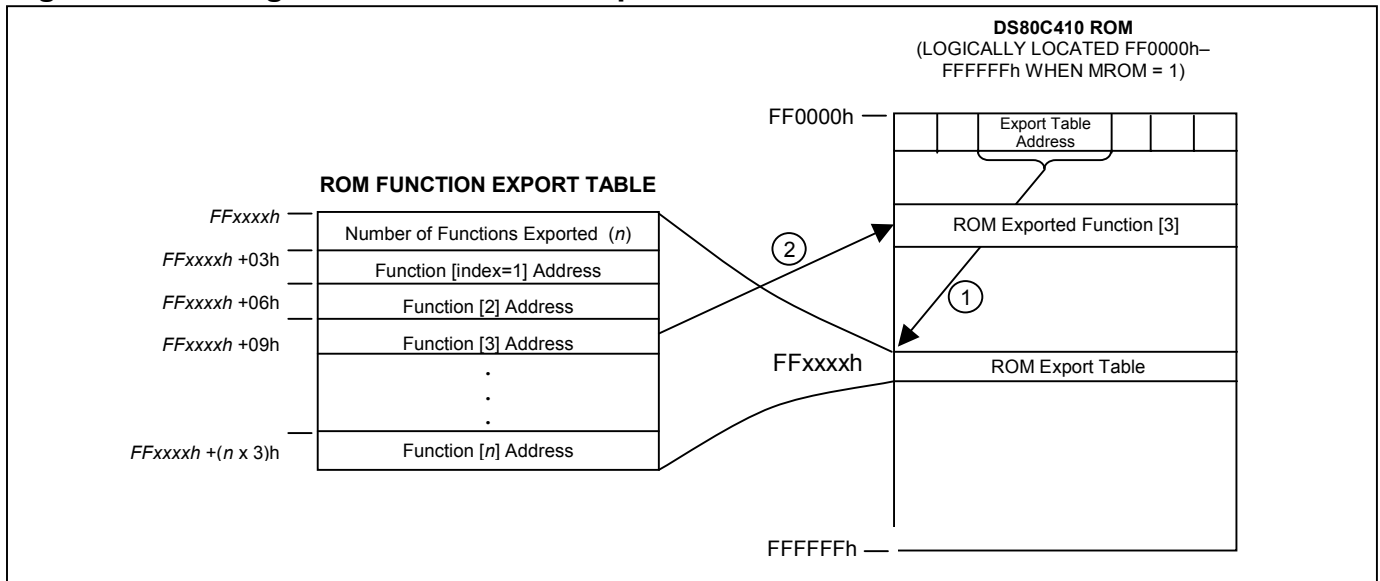


Table 16. ROM Export Table

INDEX	FUNCTION	DESCRIPTION/GROUP
0	Num_Fn,0,0	Number of functions following in the table
1	crc16	Utility functions
2	mem_clear	
3	mem_copy	
4	mem_compare	
5	add_dptr0	
6	add_dptr1	
7	sub_dptr0	
8	sub_dptr1	
9	getpseudorandom	
10	rom_kernelmalloc	Memory manager
11	rom_kernelfree	
12	rom_malloc	
13	rom_malloc_dirty	
14	rom_free	
15	rom_deref	
16	rom_getfreeram	
17	socket	Socket functions
18	closesocket	
19	sendto	
20	recvfrom	
21	connect	
22	bind	
23	listen	
24	accept	
25	recv	
26	send	
27	getsockopt	
28	setsockopt	
29	getsockname	
30	getpeername	
31	cleanup	
32	avail	
33	join	
34	leave	
35	ping	
36	getnetworkparams	
37	setnetworkparams	
38	getipv6params	
39	getethernetstatus	
40	getftpserver	
41	setftpserver	
42	eth_processinterrupt	Ethernet interrupt handler
43	arp_generaterequest	Generates ARP request
44	MAC_ID	Pointer to MAC ID
45	dhcp_init	DHCP functions
46	dhcp_setup	
47	dhcp_startup	
48	dhcp_run	
49	dhcp_status	
50	dhcp_stop	
51	rom_dhcp_notify	
52	tftp_init	TFTP functions
53	tftp_first	
54	tftp_next	
55	TFTP_MSG	
56	task_genesis	Task scheduler functions
57	task_getcurrent	
58	task_getpriority	
59	task_setpriority	
60	task_fork	

INDEX	FUNCTION	DESCRIPTION/GROUP
61	task_kill	
62	task_suspend	
63	task_sleep	
64	task_signal	
65	rom_task_switch_in	
66	rom_task_switch_out	
67	EnterCriticalSection	Enter/Leave critical section
68	LeaveCriticalSection	
69	rom_init	Initialization functions
70	rom_copyivt	
71	rom_redirect_init	
72	mm_init	
73	km_init	
74	ow_init	
75	network_init	
76	eth_init	
77	init_sockets	
78	tick_init	
79	WOS_Tick	Timer interrupt handler
80	BLOB	Start address of the memory area ignored by NetBoot
81	WOS_IOPoll	Asynchronous TCP/IP maintenance functions
82	IP_ProcessReceiveQueues	
83	IP_ProcessOutput	
84	TCP_RetryTop	
85	ETH_ProcessOutput	
86	IGMP_GroupMaintenance	
87	IP6_ProcessReceiveQueues	
88	IP6_ProcessOutput	
89	PARAMBUFFER	Pointer to parameter buffer
90	RAM_TOP	Address of pointer to end of RAM used by NetBoot
91	BOOT_MEMBEGIN	
92	BOOT_MEMEND	
93	OWM_First	1-Wire master functions
94	OWM_Next	
95	OWM_Reset	
96	OWM_Byte	
97	OWM_Search	
98	OWM_ROMID	
99	Autobaud	Serial port 0 baud rate detection
100	tftp_close	
Note: Index 101 and higher only available on DS80C410 or ROM 1.2.0 and newer		
101	ROM_NetBoot	Entry point to NetBoot function
102	task_switcher	Address of default task switcher
103	Tick_CalculateReload	Function that computes values required for millisecond timer
104	OWM_ProbeClock	1-Wire master functions
105	OWM_CalculateDivisor	
106	Info_SendString	Debug port functions
107	Info_SendTwoHex	
108	Info_ConvHex	
109	Info_SendCRLF	
110	Copyright	Locations of copyright strings
111	AllRightsReserved	
112	Util_PseudoRand	Pseudo random function
113	Flash_SectorErase	AMD Flash functions
114	Mem_WriteXRAM	
115	ARP_GenerateRequest	ARP support for ZeroConf
116	ARP_CheckCache	
117	NetNat_Subnet_to_Prefix	Calculates subnet length
118	unbind	Socket function
119	Math_Mul1024	Math functions
120	Math_Div2	
121	Math_Div1024	

INDEX	FUNCTION	DESCRIPTION/GROUP
122	Math_LongDiv1024	
123	task_suspend_nc	Task scheduler functions
123	task_sleep_nc	
124	UDP_TestReceive	Socket function
125	ETH_ReadMII	Ethernet MAC functions
126	ETH_WriteMII	
127	ETH_ReadCSR	
128	ETH_WriteCSR	
129	IP_CheckHeader	IP stack functions
130	IP_PacketReceived	

TCP/IP Stack and Berkeley Sockets

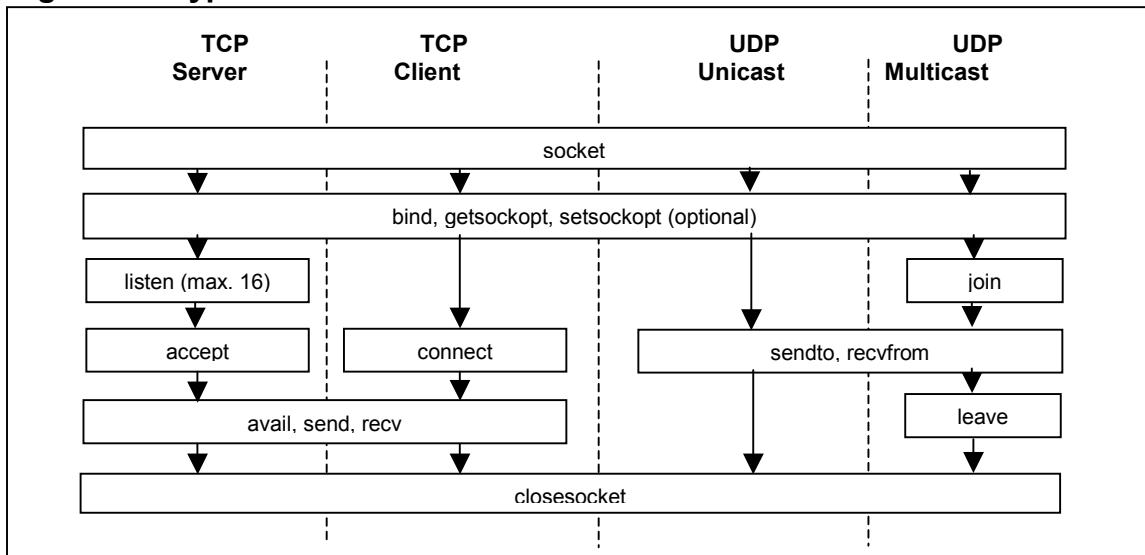
The ROM firmware implements TCP/IP Ethernet networking over an industry-standard/Berkeley socket interface. The stack supports TCP and UDP transport protocols, allowing a maximum of 24 client/server sockets for either IPv4 or IPv6. [Table 17](#) lists the socket functions implemented and accessible in the ROM firmware. The full details of each socket function are contained in the *High-Speed Microcontroller User's Guide: Network Microcontroller Supplement*.

[Figure 20](#) illustrates the typical sequences for using TCP/UDP client/server sockets. The IPv4 implementation supports multicasting, ICMP echo request ("ping"), DHCP client, and TFTP client. It does not, however, allow IP packet fragmentation or reassembly, and it ignores the extended IP options field. The IPv6 implementation supports ICMP and the TFTP client protocols.

Table 17. Socket Functions

FUNCTION	DESCRIPTION
socket	Creates the specified TCP or UDP network socket
closesocket	Closes the specified socket
sendto	Sends a UDP datagram to the specified address
recvfrom	Receives a UDP datagram
connect	Connects a TCP socket to the specified address
bind	Binds a socket to the specified address, port
listen	Listens for connections on the specified socket
accept	Accepts a TCP connection on the specified socket
recv	Reads data from the specified TCP socket connection
send	Sends data to the specified TCP socket connection
getsockopt	Gets options for the specified socket
setsockopt	Sets options for the specified socket
getsockname	Gets current local address for the specified socket
getpeername	Gets current remote address for the specified TCP socket
cleanup	Closes all sockets associated with the specified task ID
avail	Returns the number of bytes available for reading on the specified TCP socket
join	Adds the specified UDP socket to a specified multicast group
leave	Removes the specified UDP socket from a specified multicast group
ping	Sends ICMP echo request to the specified address
setnetworkparams	Sets the IPv4 address and configuration parameters
getnetworkparams	Gets the IPv4 address and configuration parameters
getipv6params	Gets the IPv6 address
getethernetstatus	Gets the status of the Ethernet link
gettftpserver	Gets the IP address of the TFTP server
settftpserver	Sets the IP address of the TFTP server

Figure 20. Typical TCP/UDP Sockets



Task Scheduler

The DS80C410 ROM firmware implements a priority based preemptive task scheduler. Each task created is represented in a task ring by a corresponding task control block (TCB). The TCB holds critical information specific to the task, such as the ID, priority, event bit mask, wake-up time, and pointers to state information and next task. Using a timer, the scheduler is run approximately every 4ms (at 18.432MHz crystal frequency) unless deferred because another interrupt is in progress. The scheduler supports an unlimited number of tasks and allows addition, deletion, or modification on the fly. However, one should realize that increasing the number of tasks increases the time needed by the scheduler to search and prioritize the ring. The *High-Speed Microcontroller User's Guide: Network Microcontroller Supplement* provides greater detail about the task scheduler and its functionality.

Controller Area Network (CAN) Module

The DS80C410 incorporates one CAN controller that is fully compliant with the CAN 2.0B specification. On the DS80C411, the CAN controller is not available. CAN is a highly robust, high-performance communication protocol for serial communications. Popular in a wide range of applications including automotive, medical, heating, ventilation, and industrial control, the CAN architecture allows for the construction of sophisticated networks with a minimum of external hardware.

The CAN controller supports the use of 11-bit standard or 29-bit extended acceptance identifiers for up to 15 messages, with the standard 8-Byte data field, in each message. Fourteen of the 15 message centers are programmable in either transmit or receive modes, with the 15th designated as an FIFO-buffered, receive-only message center to help prevent data overruns. All message centers have two separate 8-bit media masks and media arbitration fields for incoming message verification. This feature supports the use of higher-level protocols that use the first and/or second byte of data as a part of the acceptance layer for storing incoming messages. Each message center can also be programmed independently to test incoming data with or without the use of the global masks.

Global controls and status registers in the CAN unit allow the microcontroller to evaluate error messages, generate interrupts, locate and validate new data, establish the CAN bus timing, establish identification mask bits, and verify the source of individual messages. Each message center is individually equipped with the necessary status and control bits to establish direction, identification mode (standard or extended), data field size, data status, automatic remote frame request and acknowledgment, and perform masked or nonmasked identification-acceptance testing.

Communicating with the CAN Module

The microcontroller interface to the CAN modules is divided into two groups of registers. All the global CAN status and control bits as well as the individual message center control/status registers are located in the SFR map. The remaining registers associated with the message centers (data identification, identification/arbitration masks, format and data) are located in MOVX data space. For the DS80C410, the message centers are fixed from FFDB00h – FFDBFFh. The internal architecture of the DS80C410 requires that the device be in one of the two 24-bit addressing modes when the CMA bit is set to correctly access the CAN MOVX memory. A special lockout feature prevents the accidental software corruption of the control, status, and mask registers while a CAN operation is in progress. Each CAN controller uses a total of 15 message centers. Each message center is composed of four specific areas that include the following:

- 1) Four arbitration registers (C0MxAR0-3) that store either the 11-bit or 29-bit arbitration value. These registers are located in the MOVX memory map.
- 2) A format register (C0MxF) that informs the CAN controller as to the direction (transmit or receive), the number of data bytes in the message, the identification format (standard or extended), and the optional use of the identification mask or media mask during message evaluation. This register is located in the MOVX memory map.
- 3) Eight data bytes for storage of 0 to 8 Bytes of data (C0MxD0-7) are located in the MOVX memory map.
- 4) Message control registers (C0MxC) are located in the SFR memory for fast access.

Each of the message centers is identical with the exception of message center 15. Message center 15 has been designed as a receive-only center and is also buffered through the use of a two-message FIFO to help prevent message loss in a message-overrun situation. The receipt of a third message before either of the first two are read overwrites the second message, leaving the first message undisturbed.

Modification of the CAN registers located in MOVX memory is protected through the SWINT bit. Consult the description of this bit in the *High-Speed Microcontroller User's Guide: Network Microcontroller Supplement* for more information. The CAN module contains a block of control/status/mask registers, 14 functionally identical message centers, plus a 15th message center that is receive-only and incorporates a buffered FIFO. [Table 18](#) describes the organization of the message centers located in MOVX space.

Table 18. CAN Controller MOVX Memory Map

CONTROL/STATUS/MASK REGISTERS									
REGISTER	7	6	5	4	3	2	1	0	MOVX DATA ADDRESS
C0MID0	MID07	MID06	MID05	MID04	MID03	MID02	MID01	MID00	FFDB00h
C0MA0	M0AA7	M0AA6	M0AA5	M0AA4	M0AA3	M0AA2	M0AA1	M0AA0	FFDB01h
C0MID1	MID17	MID16	MID15	MID14	MID13	MID12	MID11	MID10	FFDB02h
C0MA1	M1AA7	M1AA6	M1AA5	M1AA4	M1AA3	M1AA2	M1AA1	M1AA0	FFDB03h
C0BT0	SJW1	SJW0	BPR5	BPR4	BPR3	BPR2	BPR1	BPR0	FFDB04h
C0BT1	SMP	TSEG26	TSEG25	TSEG24	TSEG13	TSEG12	TSEG11	TSEG10	FFDB05h
C0SGM0	ID28	ID27	ID26	ID25	ID24	ID23	ID22	ID21	FFDB06h
C0SGM1	ID20	ID19	ID18	0	0	0	0	0	FFDB07h
C0EGM0	ID28	ID27	ID26	ID25	ID24	ID23	ID22	ID21	FFDB08h
C0EGM1	ID20	ID19	ID18	ID17	ID16	ID15	ID14	ID13	FFDB09h
C0EGM2	ID12	ID11	ID10	ID9	ID8	ID7	ID6	ID5	FFDB0Ah
C0EGM3	ID4	ID3	ID2	ID1	ID0	0	0	0	FFDB0Bh
C0M15M0	ID28	ID27	ID26	ID25	ID24	ID23	ID22	ID21	FFDB0Ch
C0M15M1	ID20	ID19	ID18	ID17	ID16	ID15	ID14	ID13	FFDB0Dh
C0M15M2	ID12	ID11	ID10	ID9	ID8	ID7	ID6	ID5	FFDB0Eh
C0M15M3	ID4	ID3	ID2	ID1	ID0	0	0	0	FFDB0Fh
CAN 0 MESSAGE CENTER 1									
	RESERVED								FFDB10h–11h
C0M1AR0	CAN 0 MESSAGE 1 ARBITRATION REGISTER 0								FFDB12h
C0M1AR1	CAN 0 MESSAGE 1 ARBITRATION REGISTER 1								FFDB13h
C0M1AR2	CAN 0 MESSAGE 1 ARBITRATION REGISTER 2								FFDB14h
C0M1AR3	CAN 0 MESSAGE 1 ARBITRATION REGISTER 3							WTOE	FFDB15h
C0M1F	DTBYC3	DTBYC2	DTBYC1	DTBYC0	T/R	EX/ST	MEME	MDME	FFDB16h
C0M1D0–7	CAN 0 MESSAGE 1 DATA BYTES 0 to 7								FFDB17h–1Eh
	RESERVED								FFDB1Fh
CAN 0 MESSAGE CENTERS 2 to 14									
	MESSAGE CENTER 2 REGISTERS (similar to Message Center 1)								FFDB20h–2Fh
	MESSAGE CENTER 3 REGISTERS (similar to Message Center 1)								FFDB30h–3Fh
	MESSAGE CENTER 4 REGISTERS (similar to Message Center 1)								FFDB40h–4Fh
	MESSAGE CENTER 5 REGISTERS (similar to Message Center 1)								FFDB50h–5Fh
	MESSAGE CENTER 6 REGISTERS (similar to Message Center 1)								FFDB60h–6Fh
	MESSAGE CENTER 7 REGISTERS (similar to Message Center 1)								FFDB70h–7Fh
	MESSAGE CENTER 8 REGISTERS (similar to Message Center 1)								FFDB80h–8Fh
	MESSAGE CENTER 9 REGISTERS (similar to Message Center 1)								FFDB90h–9Fh
	MESSAGE CENTER 10 REGISTERS (similar to Message Center 1)								FFDBA0h–AFh
	MESSAGE CENTER 11 REGISTERS (similar to Message Center 1)								FFDBB0h–BFh
	MESSAGE CENTER 12 REGISTERS (similar to Message Center 1)								FFDBC0h–CFh
	MESSAGE CENTER 13 REGISTERS (similar to Message Center 1)								FFDBD0h–DFh
	MESSAGE CENTER 14 REGISTERS (similar to Message Center 1)								FFDBE0h–EFh
CAN 0 MESSAGE CENTER 15									
—	Reserved								FFDBF0h–F1h
C0M15AR0	CAN 0 MESSAGE 15 ARBITRATION REGISTER 0								FFDBF2h
C0M15AR1	CAN 0 MESSAGE 15 ARBITRATION REGISTER 1								FFDBF3h
C0M15AR2	CAN 0 MESSAGE 15 ARBITRATION REGISTER 2								FFDBF4h
C0M15AR3	CAN 0 MESSAGE 15 ARBITRATION REGISTER 3							WTOE	FFDBF5h
C0M15F	DTBYC3	DTBYC2	DTBYC1	DTBYC0	0	EX/ST	MEME	MDME	FFDBF6h
C0M15D0— C0M15D7	CAN 0 MESSAGE 15 DATA BYTE 0 to 7								FFDBF7h–FEh
	Reserved								FFDBFFh

CAN Interrupts

The DS80C410 provides one interrupt source for the CAN controller. The CAN interrupt source can be triggered by a receive/transmit acknowledgment from one of the 15 message centers or an error condition.

Each message center has individual ETI (transmit) and ERI (receive) interrupt enable bits and INTRQ flag bits that are found in the corresponding message control (C0MxC) SFR. If the ETI or ERI bits have been set for a message center, the successful transmission or receipt of a message, respectively, sets the INTRQ bit for that message center. The INTRQ bit can only be cleared through software. All message center interrupt flags (INTRQ) of the CAN module are ORed together to produce a single interrupt source for the CAN controller. For the microcontroller to acknowledge any individual message center interrupt request, the global interrupt enable bit (IE.7) and the CAN 0 interrupt enable bit, EIE.6, must both be set.

Interrupt assertion of error and status conditions associated with the CAN module is controlled by the ERIE and STIE bits located in the CAN 0 control (C0C) SFR. These interrupt sources also require that the global interrupt enable (EA = IE.7) and the CAN 0 interrupt enable (C0IE = EIE.6) bits be set in order to be acknowledged by the microcontroller.

Arbitration and Masking

After the CAN module has ascertained that an incoming message is bit error-free, the identification field of that message is then compared against one or more arbitration values to determine if they are loaded into a message center. Each enabled message center (see the MSRDY bit in the CAN message control register) is tested in order from 1 to 15. The first message center to successfully pass the test receives the incoming message and ends the testing. The use of masking registers allows the use of more complex identification schemes, as tests can be made based on bit patterns rather than an exact match between all bits in the identification field and arbitration values. The CAN controller also incorporates a set of five masks to allow messages with different IDs to be grouped and successfully loaded into a message center; note that some of these masks are optional as per the bits shown in [Table 19](#).

There are several possible arbitration tests, varying according to which message center is involved. If all of the enabled tests succeed, the message is loaded into the respective message center. The most basic test, performed on all messages, compares either 11 (CAN 2.0A) or 29 (CAN 2.0B) bits of the identification field to the appropriate arbitration register, based on the EX/ST bit in the CAN 0 format register. The MEME bit (C0MxF.1) controls whether the arbitration and ID registers are compared directly or through a mask register. A special set of arbitration registers dedicated to message center 15 allows added flexibility in filtering this location.

If desired, further arbitration can be performed by comparing the first two bytes of the data field in each message against two 8-bit media arbitration register bytes. The MDME bit in the CAN message center format registers (C0MxF.0) either disables (MDME = 0) arbitration, or enables (MDME = 1) arbitration using the media ID mask registers 0–1.

If the 11-bit or 29-bit arbitration and the optional media-byte arbitration are successful, the message is loaded into the respective message center. The format register also allows the microcontroller to program each message center to function in a receive or transmit mode through the T/R bit and to use from 0 to 8 data bytes within the data field of a message. Note that message center 15 can only be used in a receive mode. To avoid a priority inversion, the DS80C410 CAN controller is configured to reload the transmit buffer with the message of the highest priority (lowest message center number) whenever an arbitration is lost or an error condition occurs.

Table 19. Arbitration/Masking Feature Summary

TEST NAME	ARBITRATION REGISTERS	MASK REGISTERS	CONTROL BITS AND CONDITIONS
Standard 11-bit Arbitration (CAN 2.0A)	Message Center Arbitration Registers 0–1 (Located in each message center, MOVX memory)	Standard Global Mask Registers 0–1 (Located in CAN control/status/mask register bank, MOVX memory)	EX/ST = 0 MEME = 0: Mask register ignored. ID and arbitration register must match exactly. MEME = 1: Only bits corresponding to 1 in mask register are compared in ID and arbitration registers.
Extended 29-bit Arbitration (CAN 2.0B)	Message Center Arbitration Registers 0–3 (Located in each message center, MOVX memory)	Extended Global Mask Registers 0–3 (Located in CAN control/status/mask register bank, MOVX memory)	EX/ST = 1 MEME = 0: Mask register ignored. ID and arbitration register must match exactly. MEME = 1: Only bits corresponding to 1 in mask register are compared in ID and arbitration registers.
Media Byte Arbitration	Media Arbitration Registers 0–3 (Located in CAN control/status/mask register bank, MOVX memory)	Media ID Mask Registers 0–1 (Located in CAN control/status/mask register bank, MOVX memory)	MDME = 0: Media byte arbitration disabled. MDME = 1: Only bits corresponding to 1 in Media ID mask register are compared between data bytes 1 and 2 and Media arbitration registers.
Message Center 15, Standard 11-bit Arbitration (CAN 2.0A)	Message Center 15 Arbitration Registers 0–1 (Located in message center 15, MOVX memory)	Message Center 15 Mask Registers 0–1 (Located in CAN control/status/mask register bank, MOVX memory)	EX/ST = 0 MEME = 0: Mask register ignored. ID and arbitration register must match exactly. MEME = 1: Message center 15 mask registers are ANDed with Global Mask register. Only bits corresponding to 1 in resulting value are compared in ID and arbitration registers.
Message Center 15, Extended 29-bit Arbitration (CAN 2.0B)	Message Center 15 Arbitration Registers 0–3 (Located in message center 15, MOVX memory)	Message Center 15 Mask Registers 0–3 (Located in CAN control/status/mask register bank, MOVX memory)	EX/ST = 1 MEME = 0: Mask register ignored. ID and arbitration register must match exactly. MEME = 1: Message center 15 mask registers are ANDed with Global Mask register. Only bits corresponding to 1 in resulting value are compared in ID and arbitration registers.

Message Buffering/Overwrite

If a message center is configured for reception ($T\bar{R} = 0$) and the previous message has not been read ($DTUP = 1$), then the disposition of an incoming message to that message center is controlled by the WTOE bit (located in CAN arbitration register 3 of each message center). When $WTOE = 0$, the incoming message is discarded and the current message untouched.

If the WTOE bit is set, the incoming message is received and written over the existing data bytes in that message center. The receiver overwrite bit (ROW) also is set in the corresponding message center control register, located in SFR memory.

Message center 15 is unique in that it incorporates a buffer that can receive up to two messages without loss. If a message is received by message center 15 while it contains an unread message, the new incoming message is held in an internal buffer. When the CAN controller reads the message center 15 memory location and then clears $DTUP = INTRQ = EXTRQ = 0$, the contents of the internal buffer are automatically loaded into the message center 15 MOVX memory location.

The message center 15 WTOE bit controls what happens if a third message is received when both the message center 15 MOVX memory location and the buffer contain unread messages. If $WTOE = 0$, the new message is discarded, leaving the message center 15 MOVX memory location and the buffer untouched. If $WTOE = 1$, then the third message writes over the buffered message but leaves the message center 15 MOVX memory location untouched.

Error Counter Interrupt Generation

The CAN module can be configured to alert the microcontroller when either 96 or 128 errors have been detected by the transmit or receive error counters. The error-count select bit, ERCS (C0C.1), selects whether the limit is 96 (ERCS = 0) or 128 (ERCS = 1) errors. When the error limit is exceeded, the CAN error-count exceeded bit CECE (C0S.6) is set. If the ERIE, C0IE, and EA SFR bits are configured, an interrupt is generated. If the ERCS bit is set, the device generates an interrupt when the CECE bit is set or cleared, if the interrupt is enabled.

Bit Timing

Bit timing of the CAN transmission can be adjusted per the CAN 2.0B specification. The CAN 0 bus timing register zero (C0BT0), located in the control/status/mask register block in MOVX memory, controls the PHASE_SEG1 and PHASE_SEG2 time segments and the baud rate prescaler (BPR5–BPR0). The CAN 0 bus timing register one (C0BT1) contains the controls for the sampling rate and the number of clock cycles assigned to the Phase Segment 1 and 2 portions of the nominal bit time. The values of both of the bus timing registers are automatically loaded into the CAN controller following each software change of the SWINT bit from a 1 to a 0 by the microcontroller. The bit timing parameters must be set before starting operation of the CAN controller. These registers are modifiable only during a software initialization, (SWINT = 1), when the CAN controller is *not* in a bus-off mode, and after the removal of a system reset or a CAN reset. To avoid unpredictable behavior of the CAN controller, the software cannot clear the SWINT bit when TSEG1 and TSEG2 are both cleared to 0.

1-Wire Bus Master

The DS80C410 incorporates a 1-Wire bus master to support communication to external 1-Wire devices. The bus master provides complete control of the 1-Wire bus and coordinates transmit (Tx)/receive (Rx) activities with minimal supervision by the CPU. All timing and control sequences for the bus are generated within the bus master. Communication between the CPU and the bus master is accomplished through read/write access of the 1-Wire master address (OWMAD; EEh) and 1-Wire master data (OWMDR; EFh) SFRs. When 1-Wire bus activity generates a condition that requires servicing by the CPU, the bus master sets the appropriate status bit to create an interrupt request to the CPU. If the 1-Wire bus master interrupt source has been enabled, the CPU services the request according to the priority that has been assigned. The 1-Wire bus master supports bit banging, search ROM accelerator, and overdrive modes. Detailed operation of the 1-Wire bus is described in *The Book of iButton Standards* (www.maxim-ic.com/iButtonBook).

Communicating with the Bus Master

The microcontroller interface to the 1-Wire bus master is through two SFRs, 1-Wire master address (OWMAD; EEh), and 1-Wire master data (OWMDR; EFh). These two registers allow read/write access of the six internal registers of the 1-Wire bus master. The internal registers provide a means for the CPU to configure and control transmit/receive activity through the bus master.

The three least significant bits (A2:A0) of the OWMAD SFR specify the address of the internal register to be accessed. The OWMDR SFR is used for read/write access to the implemented bits of the specified internal register. All internal registers are read/write accessible except the interrupt flag register (xxxx010b), which allows only read access to interrupt status flags. It should also be noted that all writes to the Tx/Rx buffer register (xxxx001b) are directed to the Tx buffer and all reads retrieve data from the Rx buffer. The 1-Wire bus master internal register map is shown in [Table 20](#).

Table 20. 1-Wire Bus Master Internal Register Map

REGISTER ADDRESS/ FUNCTION	BIT 7	BIT 6	BIT 5	BIT 4	BIT 3	BIT 2	BIT 1	BIT 0
000 Command	—	—	—	—	OW_IN	FOW	SRA	1WR
001 Tx/Rx Buffer	D7	D6	D5	D4	D3	D2	D1	D0
010 Interrupt Flag	OW_LOW	OW_SHORT	RSRF	RBF	TEMT	TBE	PDR	PD
011 Interrupt Enable	EOWL	EOWSH	ERSF	ERBF	ETMT	ETBE	—	EPD
100 Clock Divisor	CLK_EN	—	—	DIV2	DIV1	DIV0	PRE1	PRE0
101 Control	EOWMI	OD	BIT_CTL	STP_SPLY	STPEN	EN_FOW	PPM	LLM

*Logic states represented by A2:A0 other than those listed in the table are considered to be invalid addresses and are not supported by the bus master. When OWMAD contains an invalid address, reads of OWMDR return invalid data, and writes to OWMDR do not change the internal register contents.

Clock Control

All 1-Wire timing patterns are generated using a base clock of 1.0MHz. To create this base clock frequency for the 1-Wire bus master, the microcontroller system clock must be internally divided down. The clock divisor internal register implements bits to control this clock division and generation. The prescaler bits (PRE1:PRE0) divide the microcontroller system clock by 1, 3, 5, or 7 for settings of 00b, 01b, 10b, and 11b respectively. The divider bits (DIV2:DIV0) control the circuitry, which then divides the prescaler output clock by 1, 2, 4, 8, 16, 32, 64, or 128. The CLK_EN bit (bit 7 of the clock divisor register) enables or disables the clock generation circuitry. Setting CLK_EN to a logic 1 enables the clock generation circuitry while clearing the bit disables the clock generation circuitry. The clock divisor register must be configured properly before any 1-Wire communication can take place. [Table 21](#) shows the proper selections for the PRE1:PRE0 and DIV2:DIV0 register bits for a given microcontroller system clock. Note that the clock generation circuitry requires that the microcontroller system clock be between 3.2MHz and 75MHz, preferably with 50% duty cycle.

Table 21. Clock Divisor Register Settings

SYSTEM CLOCK FREQUENCY (MHz)		DIVIDER RATIO	DIV2:DIV0	DIVIDE BITS SELECTION	PRE1:PRE0	PRESCALER BITS SELECTION
MIN	MAX					
4.0	< 5.0	4	010	4	00	1
5.0	< 6.0	5	000	1	10	5
6.0	< 7.0	6	001	2	01	3
7.0	< 8.0	7	000	1	11	7
8.0	< 10.0	8	011	8	00	1
10.0	< 12.0	10	001	2	10	5
12.0	< 14.0	12	010	4	01	3
14.0	< 16.0	14	001	2	11	7
16.0	< 20.0	16	100	16	00	1
20.0	< 24.0	20	010	4	10	5
24.0	< 28.0	24	011	8	01	3
28.0	< 32.0	28	010	4	11	7
32.0	< 40.0	32	101	32	00	1
40.0	< 48.0	40	011	8	10	5
48.0	< 56.0	48	100	16	01	3
56.0	< 64.0	56	011	8	11	7
64.0	75.0	64	110	64	00	1

Transmitting and Receiving Data

All data transmitted and received by the 1-Wire bus master passes through the transmit/receive data buffer (internal register address xxxxx001b). The data buffer is double-buffered with separate transmit and receive buffers. Writing to the data buffer connects the transmit buffer to the data bus while reading connects the receive buffer to the data bus.

The data buffer combination for the transmit interface is composed of the transmit buffer and transmit shift register. Each of these registers has a flag that can be used as an interrupt source. The transmit buffer empty (TBE) flag is set when the transmit buffer is empty and ready to accept a new byte of data from the user. As soon as the data byte is written into the transmit buffer, TBE is cleared. The transmit shift register empty (TEMT) flag is set when the shift register has no data and is ready to load a new data byte from the transmit buffer. When a byte of data is transferred into the transmit shift register, TEMT is cleared and TBE becomes set.

To send a byte of data on the 1-Wire bus, the user writes the desired data to the transmit buffer. The data is moved to the transmit shift register, where it is shifted serially onto the 1-Wire bus, least significant bit first. When the transmit shift register is empty, new data is transferred from the transmit buffer (if available) and the serial process repeats. Note that the 1-Wire protocol requires a reset before any bus communication.

The data buffer combination for the receive interface is composed of the receive buffer and the receive shift register. The receive registers can also generate interrupts. The receive shift register full (RSRF) flag is set at the start of data being shifted into the register, and is cleared when the receive shift register is empty. The receive buffer full (RBF) flag is set when data is transferred from the receive shift register into the receive buffer and is cleared after the CPU reads the register. If RBF is set, and another byte of data is received in the receive shift

register, the receive shift register holds the new byte and waits until the user reads the receive buffer, clearing the RBF flag. Thus, if both RSRF and RBF are set, no further transmissions should be made on the 1-Wire bus, or else data can be lost, as the byte in the receive shift register is overwritten by the next received data.

To read data from a slave device, the bus master must first be ready to transmit data depending on commands in the command register already set up by the CPU. Data is retrieved from the bus in a similar fashion to a write operation. The CPU initiates a read operation by writing FFh data to the transmit buffer. The data that is then shifted into the receive shift register is the wired-AND of the bus master write data (FFh) and the data from the slave device. When the receive shift register is full, the data is transferred to the receive buffer (if RBF = 0), where it can be read by the CPU. Additional bytes can be read by sending FFh again. If the slave device is not ready to respond to read request, the data received by the bus master is identical to that which was transmitted (FFh).

Bus Master Commands

The 1-Wire bus master can generate special commands on the 1-Wire bus in addition to transmitting and receiving data. These commands are generated through the setting of a corresponding bit in the command register (xxxx000h). These operational modes are defined in *The Book of iButton Standards* available on our website at www.maxim-ic.com/iButtonBook.

1WR (Bit 0): 1-Wire Reset. Setting this bit to logic 1 causes a reset of the 1-Wire bus, which must precede any command given on the bus. Setting this bit also automatically clears the SRA bit. The 1WR bit is automatically cleared as soon as the 1-Wire bus reset completes. The bus master sets the presence-detect interrupt flag (PD) when the reset is completed and sufficient time for a 1-Wire reset to occur has passed. The result of the 1-Wire reset is placed in the interrupt register bit PDR. If a presence-detect pulse was received, PDR is cleared; otherwise, it is set.

SRA (Bit 1): Search ROM Accelerator. Setting this bit to logic 1 places the bus master into search-ROM-accelerator mode in order to expedite the search ROM process. The general principle of the search ROM process is to deselect one device after another at every conflicting ROM ID bit position of the attached slave devices. Using the search ROM process, the bus master can ultimately learn the ROM ID for each device attached to the 1-Wire bus. To prevent the CPU from having to perform many bit manipulations during a search ROM process, the search-ROM-accelerator mode can be invoked, allowing the CPU to send 16 bytes of data to complete a single search ROM pass. Details about the search ROM algorithm can be found in *The Book of iButton Standards* or the *High-Speed Microcontroller User's Guide: Network Microcontroller Supplement*.

FOW (Bit 2): Force OW Line Low. Setting this bit to logic 1 forces the OW line to a low value if the EN_FOW bit in the control register is also set to logic 1. The FOW bit has no effect on the OW line when the EN_FOW bit is cleared to logic 0.

OW_IN (Bit 3): OW Line Input. This bit always reflects the current logic state of the OW line.

Bus Master Controls

The 1-Wire bus master can perform certain special functions to support OW line operation. These special functions can be configured through the control register (xxxx101h).

LLM (Bit 0): Long Line Mode. This bit is used to enable the long-line mode timing. Setting this bit to logic 1 effectively moves the 'write one' release and data-sample timing during standard mode communication out to 8 μ s and 22 μ s, respectively. The recovery time is extended to 14 μ s. This provides a less strict environment for long line transmissions. Clearing this bit to logic 0 leaves the 'write one' release, data sampling, and recovery time (during standard mode communication) at 5 μ s, 15 μ s, and 10 μ s, respectively.

PPM (Bit 1): Presence Pulse Masking. This bit is used to enable/disable the presence pulse-masking function. Setting this bit to logic 1 causes the bus master to initiate the beginning of a presence pulse during a 1-Wire reset. This enables the master to prevent the larger amount of ringing caused by slave devices pulling the OW line low. If the PPM bit is set, the PDR result bit in the interrupt flag register is always set, indicating that a slave device is present on the OW line (even if there are none). Clearing the PPM bit to logic 0 disables the presence pulse-masking function.

EN_FOW (Bit 2): Enable Force OW. Setting the EN_FOW bit to a logic 1 allows the bus master to force the OW line low using FOW (bit 2 of the command register). Clearing the EN_FOW bit to a logic 0 disables the use of the FOW bit.

STPEN (Bit 3): Strong Pullup Enable. Setting the STPEN bit to a logic 1 enables functionality for the $\overline{\text{OWSTP}}$ output pin. The $\overline{\text{OWSTP}}$ pin serves as the enable signal to an external strong pullup device. This functionality is used for meeting the recovery time requirement in overdrive mode and long-line standard communication. When enabled (STPEN = 1), $\overline{\text{OWSTP}}$ goes active-low any time the master is not pulling the OW line low or waiting to read data from a slave during a communication sequence. Once the communication sequence is complete, the $\overline{\text{OWSTP}}$ output is released. Note that when the master is in the idle state, the STP_SPLY bit must also be set to logic 1 (in addition to STPEN = 1) in order for the $\overline{\text{OWSTP}}$ pin to remain in the active-low state. Clearing the STPEN bit to logic 0 disables all $\overline{\text{OWSTP}}$ pin functionality.

STP_SPLY (Bit 4): Strong Pullup Supply Mode. When the $\overline{\text{OWSTP}}$ pin is enabled (STPEN = 1), setting the STP_SPLY bit to logic 1 results in an active-low output for the $\overline{\text{OWSTP}}$ pin being sustained when the master is in an idle state. Thus, when the $\overline{\text{OWSTP}}$ signal gates an external P-channel pullup, STP_SPLY = 1 can be used to enable a stiff supply voltage to slave devices requiring high current during operation. Clearing the bit to logic 0 disables the strong pullup on the $\overline{\text{OWSTP}}$ pin when the master is idle. This bit has no affect when the $\overline{\text{OWSTP}}$ pin is disabled (STPEN = 0).

BIT_CTL (Bit 5): Bit-Banging Mode. Setting this bit to logic 1 place the master into the bit-banging mode of operation. In the bit-banging mode, only the least significant bit of the transmit/receive register is sent or received before the associated interrupt flag occurs (signaling the end of the transaction). Clearing the bit leaves the bus master operating in full-byte boundaries.

OD (Bit 6): Overdrive Mode. Setting this bit to a logic 1 places the master into overdrive mode, effectively changing the bus master timing to match the 1-Wire timing for overdrive mode as outlined in *The Book of iButton Standards*. Clearing the OD bit to a logic 0 leaves the master operating with standard mode timing.

EOWMI (Bit 7): Enable 1-Wire Master Interrupt. Setting this bit to a logic 1 enables the 1-Wire master interrupt request to the CPU for any of the 1-Wire interrupt sources that have been individually enabled in the interrupt enable register (xxxxx011b). Since the 1-Wire master interrupt and external interrupt 5 share the same interrupt flag (IE5; EXIF.7), both cannot be used simultaneously. Thus, enabling the 1-Wire interrupt source effectively disables the external interrupt 5 source.

1-Wire Interrupts

The 1-Wire bus master can be configured to generate an interrupt request to the CPU on the occurrence of a number of 1-Wire-related events or conditions. These include the following: presence-detect, transmit buffer empty, transmit shift-register empty, receive buffer full, receive shift-register full, 1-Wire short, and 1-Wire low. Each of these potential 1-Wire interrupt sources has a corresponding enable bit and flag bit. Each flag bit in the interrupt flag register (xxxxx010b) is set, independent of the interrupt enable bit, when the associated event or condition occurs. In order for the interrupt flag to generate an interrupt request to the CPU, however, the individual enable bit for the source along with the 1-Wire bus master interrupt enable bit (EOWMI; control register bit 7), and global interrupt enable bit (EA; IE.7) must both be set to a logic 1. To clear the 1-Wire bus master interrupt, a read of the interrupt flag register must always be performed by software. [Table 22](#) summarizes the 1-Wire bus master interrupt sources.

Table 22. 1-Wire Bus Master Interrupt Sources

INTERRUPT SOURCE	MEANING	ENABLE/FLAG LOCATION (Interrupt Flag Register.x Interrupt Enable Register.x)
Presence Detect	After a 1-Wire reset has been issued, this flag is set after the amount of time for a presence-detect pulse to have occurred. This bit is cleared when the interrupt flag register is read.	Bit 0
Transmit Buffer Empty	This flag is set when the transmit buffer is empty and ready to receive the next byte. This bit is cleared when data is written to the transmit buffer. A read of the interrupt flag register has no effect on this bit.	Bit 2
Transmit Shift Register Empty	This flag is set when the transmit shift register is empty and is ready to load a new byte from the transmit buffer. This bit is cleared when data is transferred from the transmit buffer to the transmit shift register. A read of the interrupt flag register has no effect on this bit.	Bit 3
Receive Buffer Full	This flag is set when there is a byte of data in the receive buffer waiting to be read. This bit is cleared when the receive buffer is read.	Bit 4
Receive Shift Register Full	This flag is set when there is a byte of data in the receive shift register waiting to be transferred to the receive buffer. This bit is cleared when data in the receive shift register is transferred to the receive buffer.	Bit 5
1-Wire Short	This flag is set when the OW line was low before the bus master was able to send out the beginning of a reset or a time slot. A read of the interrupt flag register clears this bit.	Bit 6
1-Wire Low	This flag is set when the OW line is low while the bus master is idle, signaling that a slave device has issued a presence pulse on the OW line. A read of the interrupt flag register clears this bit if the OW line is no longer low while the master is idle.	Bit 7

Peripheral Overview (Primary Integrated System Logic)

The DS80C410 provides several of the most commonly needed peripheral functions in microcomputer-based systems. The DS80C410 offers three serial ports, four timers, a programmable watchdog timer, power-fail reset detection, and a power-fail interrupt flag. Each of these peripherals is described below, and more details are available in the *High-Speed Microcontroller User's Guide* and the *High-Speed Microcontroller User's Guide: Network Microcontroller Supplement*.

Serial Ports

The microcontroller provides a serial port (UART) that is identical to the 80C52. Two additional hardware serial ports are provided that are duplicates of the first one. This second port optionally uses pins P1.2 (RXD1) and P1.3 (TXD1). The third port optionally uses pins P6.6 (RXD2) and P6.7 (TXD2). The function of each of the three serial ports is controlled by the SFRs and bits shown in [Table 23](#).

Table 23. Serial Port SFRs

SERIAL PORT FUNCTION CONTROL	SERIAL PORT 0	SERIAL PORT 1	SERIAL PORT 2
Control Register	SCON0	SCON1	SCON2
Input/Output Data Buffer	SBUF0	SBUF1	SBUF2
Baud Rate Doubler Bit	PCON.7	WDCON.7	T3CM.4
Framing Error-Detection Enable	PCON.6	PCON.6	PCON.6
Slave Address Mask Enable	SADEN0	SADEN1	SADEN2
Slave Address	SADDR0	SADDR1	SADDR2

All three serial ports can operate simultaneously and be configured for different baud rates or different modes. When using a timer for the purpose of baud rate generation, serial port 1 must use timer 1, serial port 2 must use timer 3, while serial port 0 can use either timer 1 or timer 2. Refer to the *High-Speed Microcontroller User's Guide* for full descriptions of serial port operational modes.

Timers

The microcontroller provides four general-purpose timer/counters. Timers 0, 1, and 3 have three common modes of operation. Each of the three can be used as a 13-bit timer/counter, 16-bit timer/counter, or 8-bit timer/counter with auto-reload. Timer 0 can also operate as two 8-bit timer/counters. When operated as a counter, timers 0, 1, and 3 count pulses on the corresponding T0, T1, and T3 external pins. Timer 2 is a true 16-bit timer/counter with several additional operating modes. With a 16-bit reload register, timer 2 supports other features such as 16-bit auto-reload, capture, up/down count, and output clock generation. All four timer/counters default to the standard oscillator frequency divided by 12 input clock but can be configured to run from the system clock divided by 4. Timers 1 and 2 can also be configured to operate with an input clock equal to the system clock divided by 13. [Table 24](#) shows the SFRs and bits associated with the four timer/counters.

Table 24. Timer/Counter SFRs

TIMER/COUNTER FUNCTION	TIMER/COUNTER 0	TIMER/COUNTER 1	TIMER/COUNTER 2	TIMER/COUNTER 3
Timer/Counter Mode Selection and Control	TMOD, TCON	TMOD, TCON	T2MOD, T2CON	T3CM
Count Registers	TH0, TL0	TH1, TL1	TH2, TL2	TH3, TL3
8-Bit Reload Register	TH0	TH1	—	TH3
16-Bit Reload/Capture Registers	—	—	RCAP2H, RCAP2L	—
Timer Input Clock-Select Bit	CKCON.3	CKCON.4	CKCON.5	T3CM.5
Divide-by-13 Clock-Option Bit	—	T2MOD.4	T2MOD.3	—

Watchdog Timer

The watchdog is a free-running, programmable timer that can set a flag, cause an interrupt, and/or reset the microcontroller if allowed to reach a preselected timeout. It can be restarted by software.

A typical application uses the watchdog timer as a reset source to prevent software from losing control. The watchdog timer is initialized, selecting the timeout period and enabling the reset and/or interrupt functions. After enabling the reset function, software must then restart the timer before its expiration or hardware resets the CPU. In this way, if the code execution goes awry and software does not reset the watchdog as scheduled, the microcontroller is put in reset, a known good state.

Software can select one of four timeout values as controlled by the WD1 and WD0 bits. Timeout values are precise since they are a function of the crystal frequency. When the watchdog times out, the watchdog interrupt flag (WDIF = WDCON.3) is set. If the watchdog interrupt source has been enabled, program execution immediately vectors to the watchdog timer interrupt-service routine (code address = 63h). To enable the watchdog interrupt source, both the EWDI (EIE.4) and EA (IE.7) bits must be set. Furthermore, setting the EWT (WDCON.1) bit allows the watchdog timer to generate a reset exactly 512 system clocks following a timeout. To prevent the watchdog reset from occurring in such a situation, the watchdog timer count must be reset (RWT = 1) or the watchdog-reset function itself must be disabled (EWT = 0). Both the enable watchdog timer (EWT) reset and the reset watchdog timer (RWT) control bits are protected by timed-access circuitry. This prevents errant software from accidentally clearing or disabling the watchdog. When a watchdog timer reset condition occurs, the watchdog timer reset flag (WTRF = WDCON.2) is set by the hardware. This flag can then be interrogated following a reset to determine whether the reset was caused by the watchdog timer.

The watchdog interrupt is useful for systems that do not require a reset circuit. It sets the WDIF (watchdog interrupt) flag 512 system clocks before setting the reset flag. Software can optionally enable this interrupt source, which is independent of the watchdog-reset function. The interrupt is commonly used during the debug process to determine where watchdog reset commands must be located in the application software. The interrupt also can serve as a convenient time-base generator or can wake up the microcontroller from power-saving modes.

The watchdog timer is controlled by the clock control (CKCON) and the watchdog control (WDCON) SFRs. CKCON.7 and CKCON.6 are WD1 and WD0 respectively, and they select the watchdog timeout period. Of course, the $4X/2X$ (PMR.3) and CD1:0 (PMR.7:6) system clock control bits also affect the timeout period. [Table 25](#) shows the selection of timeout.

[Table 25](#) demonstrates that, for a 40MHz crystal frequency, the watchdog timer is capable of producing timeout periods from 3.28ms ($2^{17} \times 1/40\text{MHz}$) to greater than one and a half seconds ($1.68 = 2^{26} \times 1/40\text{MHz}$) with the default setting of CD1:0 (= 10). This wide variation in timeout periods allows very flexible system implementation.

In a typical initialization, the user selects one of the possible counter values to determine the timeout. Once the counter chain has completed a full count, hardware sets the interrupt flag (WDIF = WDCON.3). Regardless of whether the software makes use of this flag, there are then 512 system clocks left until the reset flag (WTRF = WDCON.2) is set. Software can enable (1) or disable (0) the reset using the enable watchdog timer reset (EWT = WDCON.1) bit.

Table 25. Watchdog Timeout Values

4X/2X	CD1:0	WATCHDOG INTERRUPT TIMEOUT			
		WD1:0 = 00	WD1:0 = 01	WD1:0 = 10	WD1:0 = 11
1	00	2^{15}	2^{18}	2^{21}	2^{24}
0	00	2^{16}	2^{19}	2^{22}	2^{25}
x	01	2^{17}	2^{20}	2^{23}	2^{26}
x	10	2^{17}	2^{20}	2^{23}	2^{26}
x	11	2^{25}	2^{28}	2^{31}	2^{34}

IrDA Clock

The DS80C410 has the ability to generate an output clock (CLKO) as a secondary function on port pin P3.5. Setting both the IrDA clock-output enable bit (IRDACK:COR.7) and external clock-output enable bit (XCLKOE:COR.1) to a logic 1 produces an output clock of 16 times the programmed baud rate for serial port 0. This 16X output clock used in conjunction with serial port 0 I/O (TXD0, RXD0) conveniently allows for direct connection to common IrDA encoder/decoder devices. If the XCLKOE bit alone is set to logic 1, the CLKO pin outputs the system clock frequency divided by 2, 4, 6, or 8 as defined by clock-output divide bits (COD1:0). Setting the IRDACK bit alone to logic 1 has no effect.

Interrupts

The microcontroller provides 16 interrupt sources with three priority levels. All interrupts, with the exception of the power-fail interrupt, are controlled by a series combination of individual enable bits and a global interrupt enable EA (IE.7). Setting EA to a 1 allows individual interrupts to be enabled. Clearing EA disables all interrupts regardless of their individual enable settings.

The three available priority levels are low, high, and highest. The highest priority level is reserved for the power-fail interrupt only. All other interrupts have individual priority bits that when set to a 1 establish the particular interrupt as high priority. In addition to the user-selectable priorities, each interrupt also has an inherent natural priority, used to determine the priority of simultaneously occurring interrupts. The available interrupt sources, their flags, enables, natural priority, and available priority selection bits are identified in [Table 26](#). Note that external interrupts 2–5 and the 1-Wire bus master share a common interrupt vector (43h). Also note that external interrupt 5 and the 1-Wire bus master interrupt are multiplexed to form a single interrupt request. When the 1-Wire bus master interrupt is enabled (EOWMI = 1), it takes priority over external interrupt 5. In order for external interrupt 5 request to be used, the 1-Wire bus master interrupt must be disabled (EOWMI = 0).

Table 26. Interrupt Summary

NAME	FUNCTION	VECTOR	NATURAL PRIORITY	FLAG BIT	ENABLE BIT	PRIORITY CONTROL BIT
PFI	Power-Fail Interrupt	33h	0	PFI (WDCON.4)	EPFI (WDCON.5)	N/A
INT0	External Interrupt 0	03h	1	IE0 (TCON.1) (Note 2)	EX0 (IE.0)	PX0 (IP.0)
TF0	Timer 0	0Bh	2	TF0 (TCON.5) (Note 1)	ET0 (IE.1)	PT0 (IP.1)
INT1	External Interrupt 1	13h	3	IE1 (TCON.3) (Note 2)	EX1 (IE.2)	PX1 (IP.2)
TF1	Timer 1	1Bh	4	TF1 (TCON.7) (Note 1)	ET1 (IE.3)	PT1 (IP.3)
TI0 or RI0	Serial Port 0	23h	5	RI_0(SCON0.0) TI_0(SCON0.1)	ES0 (IE.4)	PS0 (IP.4)
TF2	Timer 2	2Bh	6	TF2(T2CON.7)	ET2 (IE.5)	PT2 (IP.5)
TI1 or RI1	Serial Port 1	3Bh	7	RI_1(SCON1.0) TI_1(SCON1.1)	ES1 (IE.6)	PS1 (IP.6)
INT2	External Interrupts 2–5, 1-Wire Bus Master, Interrupt	43h	8	IE2 (EXIF.4)	EX2-5 (EIE.0)	PX2-5 (EIP.0)
INT3				IE3 (EXIF.5)	—	
INT4				IE4 (EXIF.6)	—	
INT5/OWMI	—	—	—	IE5 (EXIF.7) (Note 3)	EOWMI (Note 3)	
TF3	Timer 3	4Bh	9	TF3 (T3CM.7)	ET3 (EIE.1)	PT3 (EIP.1)
TI2 or RI2	Serial Port 2	53h	10	IE4 (EXIF.6)	ES2 (EIE.2)	PS2 (EIP.2)
WPI	Write Protect Interrupt	5Bh	11	WPIF (MCON2.7)	EWPI (EIE.3)	PWPI (EIP.3)
COI	CAN0 Interrupt	6Bh	12	Various	COIE (EIE.6)	COIP (EIP.6)
EAI	Ethernet Activity	73h	13	TIF (BCUC.5) RIF (BCUC.4)	EAIE (EIE.5)	EAIP (EIP.5)
WDTI	Watchdog Timer	63h	14	WDIF (WDCON.3)	EWDI (EIE.4)	PWDI (EIP.4)
EPMI	Ethernet Power Mode	7Bh	15	EPMF (BCUC.6)	EPMIE (EIE.7)	EPMIP (EIP.7)

Unless marked, all flags must be cleared by the application software.

Note 1: Cleared automatically by hardware when the service routine is entered.

Note 2: If edge-triggered, the flag is cleared automatically by hardware when the service routine is entered. If level-triggered, the flag follows the state of the interrupt pin.

Note 3: The global 1-Wire interrupt-enable bit (EOWMI) and individual 1-Wire interrupt source enables are located in the internal 1-Wire bus master interrupt enable register, and must be accessed through the OWMAD and OWMADR SFRs. Individual 1-Wire interrupt source flag bits that are located in the internal 1-Wire bus master Interrupt flag register are accessed in the same way.

One's Complement Adder

The DS80C410 implements a one's complement adder to support the Internet checksum algorithm. The adder contains a 16-bit accumulator and is accessed through the one's complement adder data (OCAD) SFR.

Writing two bytes to the OCAD register initiates a summation between the 16-bit accumulator and the 16-bit value entered. When entering a new 16-bit value for summation, the MSB should be loaded first and the LSB loaded second. The calculation begins on the first machine cycle following the second write to the OCAD register and executes in a single machine cycle. This allows back-to-back writes of 16-bit data to the OCAD register for summation. The carry out bit from the high-order bit of the calculation is added back into the low-order bit of the accumulator.

Reading two bytes from the OCAD register downloads the contents of the 16-bit accumulator. When reading the 16-bit accumulator through the OCAD register, the MSB is unloaded first and the LSB is unloaded second. The 16-bit accumulator is cleared to 0000h following the second read of the OCAD SFR.

The following is an example sequence for producing an Internet checksum for transmission.

- Read OCAD twice to make certain that the 16-bit accumulator = 0000h
- Write MSB of 16-bit value to OCAD
- Write LSB of 16-bit value to OCAD

- Repeat steps 2, 3 over the message data for which the checksum is to be computed
- Read MSB of 16-bit value from OCAD
- One's complement of the byte last read is the Internet checksum MSB
- Read LSB of 16-bit value from OCAD
- One's complement of the byte last read is the Internet checksum LSB

Note that the computation of the Internet checksum over the message data and 16-bit checksum field should yield 0000h.

Clock Control and Power Management

The DS80C410 includes a number of unique features that allow flexibility in selecting system clock sources and operating frequencies. To support the use of inexpensive crystals while allowing full speed operation, a clock multiplier is included in the microcontroller's clock circuit. Also, in addition to the standard 80C32 idle and power-down (stop) modes, the DS80C410 provides a PMM. This mode allows the microcontroller to continue instruction execution at a very low speed to significantly reduce power consumption (below even idle mode). The DS80C410 also features several enhancements to stop mode that make this extremely low-power mode more useful. Each of these features is discussed in detail below.

System Clock Control

As mentioned previously, the microcontroller contains special clock-control circuitry that simultaneously provides maximum timing flexibility and maximum availability and economy in crystal selection. The logical operation of the system clock divide control function is shown in [Figure 21](#). A 3:1 multiplexer, controlled by CD1, CD0 (PMR.7-6), selects one of three sources for the internal system clock:

- Crystal oscillator or external clock source
- (Crystal oscillator or external clock source) divided by 256
- (Crystal oscillator or external clock source) frequency multiplied by 2 or 4 times

The system clock control circuitry generates two clock signals that are used by the microcontroller. The *internal system clock* provides the time base for timers and internal peripherals. The system clock is run through a divide-by-4 circuit to generate the *machine cycle clock* that provides the time base for CPU operations. All instructions execute in one to five machine cycles. It is important to note the distinction between these two clock signals, as they are sometimes confused, creating errors in timing calculations.

Setting CTM = 1 and CD1, CD0 = 00b enables the frequency multiplier, either doubling or quadrupling the frequency of the crystal oscillator or external clock source. The $4X/2X$ bit controls the multiplying factor, selecting twice or four times the frequency when set to 0 or 1, respectively. Enabling the frequency multiplier results in apparent instruction execution speeds of 2 or 1 clocks. Regardless of the configuration of the frequency multiplier, the system clock of the microcontroller can never be operated faster than 75MHz. This means that the maximum external clock source is 18.75MHz when using the 4X setting, and 37.5MHz when using the $2X$ setting.

The primary advantage of the clock multiplier is that it allows the microcontroller to use slower crystals to achieve the same performance level. This reduces EMI and cost, as slower crystals are generally more available and thus less expensive.

Setting CD1, CD0 = 11b enables the PMM. When placed into PMM, the incoming crystal or clock frequency is divided by 256, resulting in a machine cycle of 1024 clocks. Note that power consumption in PMM is less than idle mode. While both modes leave the power-hungry internal timers running, PMM runs all clocked functions such as timers at the rate of crystal divided by 1024, rather than crystal divided by 4. Even though instruction execution continues in PMM (albeit at a reduced speed), it still consumes less power than idle mode. As a result, there is little reason to use idle mode in new designs.

The system clock and machine cycle rate changes one machine cycle after the instruction changing the control bits. Note that the change affects all aspects of system operation, including timers and baud rates. Using the switchback feature, described later, can eliminate many of the problems associated with the PMM.

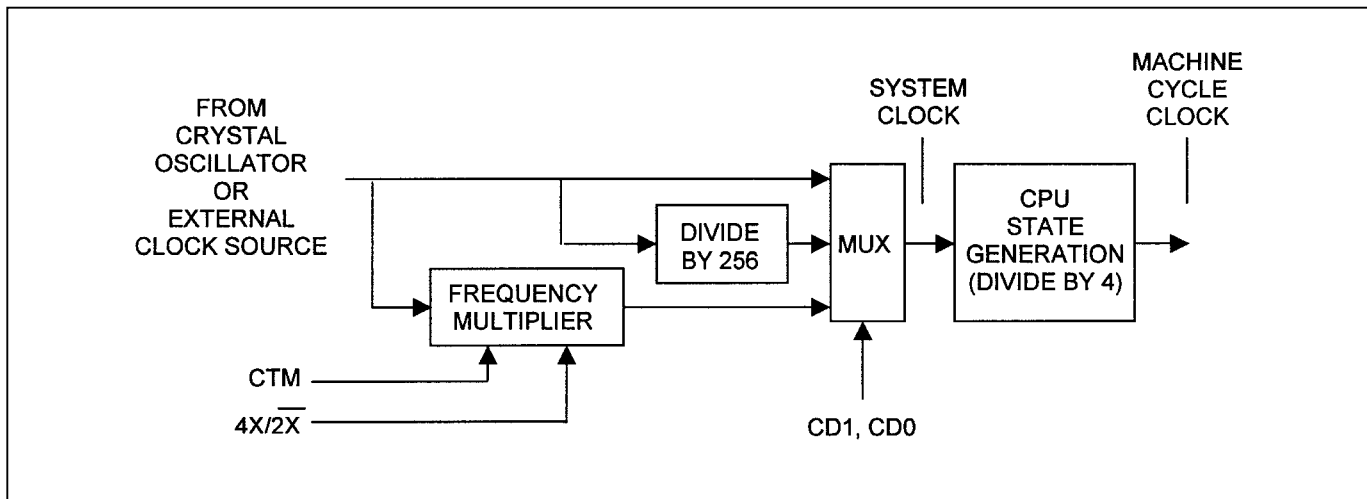
Changing the System Clock/Machine Cycle Clock Frequency

The microcontroller incorporates a special locking sequence to ensure “glitch-free” switching of the internal clock signals. All changes to the CD1, CD0 bits must pass through the 10 (divide-by-4) state. For example, to change from 00 (frequency multiplier) to 11 (PMM), the software must change the bits in the following sequence: 00b => 10b => 11b. Attempts to switch between invalid states fail, leaving the CD1, CD0 bits unchanged.

The following sequence must be followed when switching to the frequency multiplier as the internal time source. This sequence can only be performed when the device is in divide-by-4 operation. The steps must be followed in this order, although it is possible to have other instructions between them. Any deviation from this order causes the CD1, CD0 bits to remain unchanged. Switching from frequency multiplier to nonmultiplier mode requires no steps other than the changing of the CD1, CD0 bits.

- 1) Ensure that the CD1, CD0 bits are set to 10, and the RGMD (EXIF.2) bit = 0.
- 2) Clear the crystal multiplier enable (CTM) bit.
- 3) Set the 4X/2X bit to the appropriate state.
- 4) Set the CTM bit.
- 5) Poll the CKRDY bit (EXIF.3), waiting until it is set to 1. This takes approximately 65,536 cycles of the external crystal or clock source.
- 6) Set CD1, CD0 to 00. The frequency multiplier is engaged on the machine cycle following the write to these bits.

Figure 21. System Clock Control Diagram



Switchback

As an alternative to software changing the CD1 and CD0 clock control bits to exit PMM, the microcontroller provides hardware alternatives for automatic switchback to standard speed (divide-by-4) operation. When enabled, the switchback feature allows serial ports and interrupts to automatically switch back from divide-by-1024 (PMM) to divide-by-4 (standard speed) operation. This feature makes it very convenient to use the PMM in real-time applications.

The switchback feature is enabled by setting the SFR bit SWB (PMR.5) to a 1. Once it is enabled, and PMM is selected, two possible events can cause an automatic switchback to divide-by-4 mode. First, if an external interrupt occurs and is acknowledged, the system clock reverts from PMM to divide-by-4 mode. For example, if $\overline{INT0}$ is enabled and the CPU is not servicing a higher priority interrupt, then switchback occurs on $\overline{INT0}$. However, if $\overline{INT0}$ is not enabled or the CPU is servicing a higher priority interrupt, then activity on $\overline{INT0}$ does not cause switchback to occur.

A switchback can also occur when an enabled UART detects the start bit, indicating the beginning of an incoming serial character or when the SBUF register is loaded initiating a serial transmission. Note that a serial character's start bit does not generate an interrupt. The interrupt occurs only on reception of a complete serial word. The automatic switchback on detection of a start bit allows hardware to return to divide-by-4 operation (and the correct baud rate) in time for a proper serial reception or transmission.

Status

The STATUS (C5h) register and STATUS1 (F7h) register provide information about interrupt and serial port activity to assist in determining if it is possible to enter PMM. The microcontroller supports three levels of interrupt priority: power-fail, high, and low. The PIP (power-fail priority interrupt status; STATUS.7), HIP (high priority interrupt status; STATUS.6), and LIP (low priority interrupt status; STATUS.5) status bits, when set to a logic 1, indicate the corresponding level is in service.

Software should not rely on a lower-priority level interrupt source to remove PMM (switchback) when a higher level is in service. Check the current priority service level before entering PMM. If the current service level locks out a desired switchback source, then it would be advisable to wait until this condition clears before entering PMM. Alternately, software can prevent an undesired exit from PMM by intentionally entering a low priority interrupt-service level before entering PMM. This prevents other low priority interrupts from causing a switchback.

Entering PMM during an ongoing serial port transmission or reception can corrupt the serial port activity. To prevent this, a hardware lockout feature ignores changes to the clock divisor bits while the serial ports are active. Serial port transmit and receive activity can be monitored through the serial port activity bits located in the STATUS and STATUS1 registers.

Oscillator-Fail Detect

The microcontroller contains a safety mechanism called an on-chip oscillator-fail detect circuit. When enabled, this circuit causes the microcontroller to be held in reset if the oscillator frequency falls below ~100kHz. When activated, this circuit complements the watchdog timer. Normally, the watchdog timer is initialized so that it times out and causes a reset in the event that the microcontroller loses control. In the event of a crystal or external oscillator failure, however, the watchdog timer does not function, and there is the potential to fail in an uncontrolled state. Using the oscillator-fail detect circuit forces the microcontroller to a known state (i.e., reset) even if the oscillator stops.

The oscillator-fail detect circuitry is enabled when software sets the enable bit OFDE (PCON.4) to a 1. Please note that software must use a timed-access procedure (described earlier) to write this bit. The OFDF (PCON.5) bit also sets to a 1 when the circuitry detects an oscillator failure, and the microcontroller is forced into a reset state. This bit can only be cleared to a 0 by a power-fail reset or by software. The oscillator-fail detect circuitry is not triggered when the oscillator is stopped upon entering stop mode.

Power-Fail Reset

The microcontroller incorporates an internal precision bandgap voltage reference and comparator circuit that provide a power-on and power-fail reset function. This circuit monitors the incoming power supply voltages (V_{CC1} and V_{CC3}) and holds the microcontroller in reset if either supply is below a minimum voltage level. When power exceeds the reset threshold, a full power-on reset is performed. In this way, this internal voltage monitoring circuitry handles both power-up and power-down conditions without the need for additional external components.

Once V_{CC1} and V_{CC3} have risen above minimum voltages, V_{RST1} and V_{RST3} respectively, the device automatically restarts the oscillator for the external crystal and counts 65,536 clock cycles before program execution begins at location 0000h. This helps the system maintain reliable operation by only permitting operation when the supply voltage is in a known good state. Software can determine that a power-on reset has occurred by checking the power-on reset flag (POR;WDCON.6). Software should clear the POR bit after reading it.

Power-Fail Interrupt

The bandgap voltage reference that sets precise reset thresholds also generates an optional early warning power-fail interrupt (PFI). When enabled by software, the microcontroller vectors to code address 0033h if either V_{CC1} or V_{CC3} drop below V_{PFW1} or V_{PFW3} , respectively. PFI has the highest priority. The PFI enable is in the watchdog control SFR (EPFI;WDCON.5). Setting this bit to logic 1 enables the PFI. Application software can also read the PFI flag at WDCON.4. A PFI condition sets this bit to a 1. The flag is independent of the interrupt enable and must be cleared by software.

External Reset Pins

The DS80C410 has both reset input (RST) and reset output ($\overline{\text{RSTOL}}$) pins. The $\overline{\text{RSTOL}}$ pin supplies an active-low reset output when the microcontroller is reset through a high on the RST pin, a timeout of the watchdog timer, a crystal oscillator fail, or an internally detected power-fail. The timing of the $\overline{\text{RSTOL}}$ pin is dependent on the source of the reset.

RESET TYPE/SOURCE	$\overline{\text{RSTOL}}$ DURATION
Power-On Reset	65,536 t_{CLK} (as described in <i>Power Cycle Timing Characteristics</i>)
External Reset	< 1.25 machine cycles
Power-Fail	65,536 t_{CLK} (as described in <i>Power Cycle Timing Characteristics</i>)
Watchdog Timer Reset	Two machine cycles
Oscillator-Fail Detect	65,536 t_{CLK} (as described in <i>Power Cycle Timing Characteristics</i>)

Idle Mode

Setting the IDLE bit (PCON.0) invokes the idle mode. Idle leaves internal clocks, serial ports, and timers running. Power consumption drops because memory is not being accessed and instructions are not being executed. Since clocks are running, the idle power consumption is a function of crystal frequency. The CPU can exit idle mode with any interrupt or a reset. Because PMM consumes less power than idle mode, and leaves the timers and CPU operating, idle mode is no longer recommended for new designs, and is included for backward-software compatibility only.

Stop Mode

Setting the STOP bit of the power-control register (PCON.1) invokes stop mode. Stop mode is the lowest power state (besides power off) since it turns off all internal clocking. All microcontroller operation ceases at the end of the instruction that sets the STOP bit. The CPU invokes stop mode only when the CAN controller has been disabled (through the SWINT or CRST bits in the C0C SFR) and when the Ethernet controller has been placed in sleep mode. The CPU can exit stop mode through an external interrupt, Ethernet power-mode interrupt, CAN interrupt, or a reset condition. Internally generated interrupts (timer, serial port, watchdog) cannot cause an exit from stop mode because internal clocks are not active in stop mode. See the *DC Electrical Specifications* section for I_{CC1} and I_{CC3} maximum stop mode currents.

Bandgap Select

The DS80C410 provides two enhancements to stop mode. As described below, the device provides a bandgap reference to determine power-fail interrupt and reset thresholds. The bandgap reference is controlled by the bandgap select bit, BGS (EXIF.0). Setting BGS to a 1 keeps the bandgap reference enabled during stop mode. The default or reset condition of the bit is logic 0, which disables the bandgap during stop mode. This bit does not enable/disable the internal reference during full power, PMM, or idle modes.

With the bandgap reference enabled, the power-fail reset and power-fail interrupt sources are valid means for leaving stop mode. This allows software to detect and compensate for a power supply sag or brownout, even when in stop mode. When BGS = 1, the internal bandgap and associated comparator circuitry consume a small amount of additional current during stop mode. If a user does not require a power-fail reset or interrupt while in stop mode, the bandgap can remain disabled. Only the most power-sensitive applications should disable the bandgap reference in stop mode, as this results in an uncontrolled power-down condition.

Ring Oscillator

The second enhancement to stop mode reduces power consumption and allows the device to restart instantly when exiting stop mode. The ring oscillator is an internal clock that can optionally provide the clock source to the microcontroller when exiting stop mode in response to an interrupt.

During stop mode the crystal oscillator is halted to maximize power savings. Typically 1ms to 7ms are required for an external crystal to begin oscillating again once the device receives the exit stimulus. The ring oscillator, by contrast, is a free-running digital oscillator that has no startup delay. The ring oscillator feature is enabled by setting the ring oscillator select bit, RGSL (EXIF.1). If enabled, the microcontroller uses the ring oscillator as the clock source to exit stop mode, resuming operation in less than 100ns. After 65,536 oscillations of the external clock

source (not the ring oscillator), the device clears the ring oscillator mode bit, RGMD (EXIF.2), to indicate that the device has switched from the ring oscillator to the external clock source.

The ring oscillator runs at approximately 15MHz, but varies over temperature and voltage. As a result, no serial communication or precision timing should be attempted while running from the ring oscillator, since the operating frequency is not precise. Likewise, the Ethernet and CAN controllers derive their timing from the system clock and should not be enabled until RGMD = 0. The reset (default) state of the RGSL bit is logic 0, which does not result in use of the ring oscillator to exit stop mode.

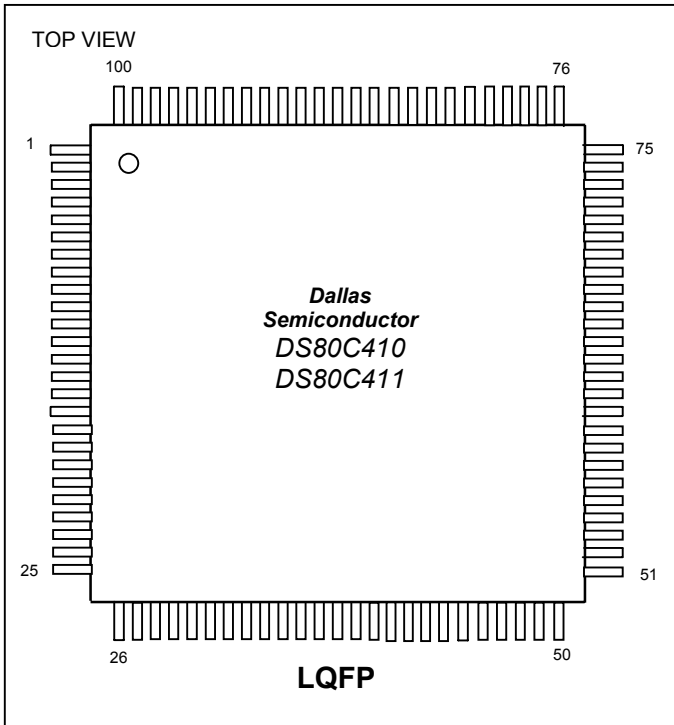
EMI Reduction

One of the major contributors to radiated noise in an 8051-based system is the toggling of ALE. The microcontroller allows software to disable ALE when not used by setting the ALEOFF (PMR.2) bit to a 1. When ALEOFF = 1, ALE automatically toggles during off-chip program and data memory accesses. However, ALE remains static when performing on-chip memory access. The default state of ALEOFF is 0, so ALE normally toggles at a frequency of XTAL/4.

Software Breakpoint Mode

The DS80C410 provides a special software-breakpoint mode for code-debug purposes. Breakpoint mode can be enabled by setting the BPME bit (ACON.4) to a logic 1. Once enabled, the A5h op code can be used to create a break in code execution. When the break op code (A5h) is executed, all clocks to the timer 0, 1, 2, 3, and watchdog timer blocks are stopped and any serial port operation (when derived from a timer) is halted. Additionally, the state machine controlling access to timed-access-protected SFRs is suspended. Much like an interrupt, the CPU generates a hardware LCALL and vector to address location 000083h. Unlike an interrupt, however, the return address is not pushed onto the stack, but is placed into the BPA1 (LSB), BPA2 (MSB), and BPA3 (XSB) SFRs, and the A5h op code is used to exit breakpoint mode and return to the address contained in the BPA3:1 SFRs.

PIN CONFIGURATION



SELECTOR GUIDE

PART	CAN BUS	ON-CHIP SRAM (kB)	MAX CLOCK SPEED (MHz)
DS80C410-FNY	1	73.25	75
DS80C410-FNY+	1	73.25	75
DS80C411-FNY	0	73.25	75
DS80C411-FNY+	0	73.25	75

+ Denotes lead-free/RoHS-compliant device.

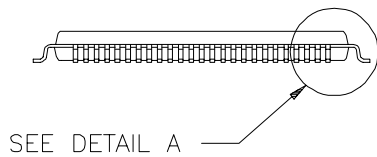
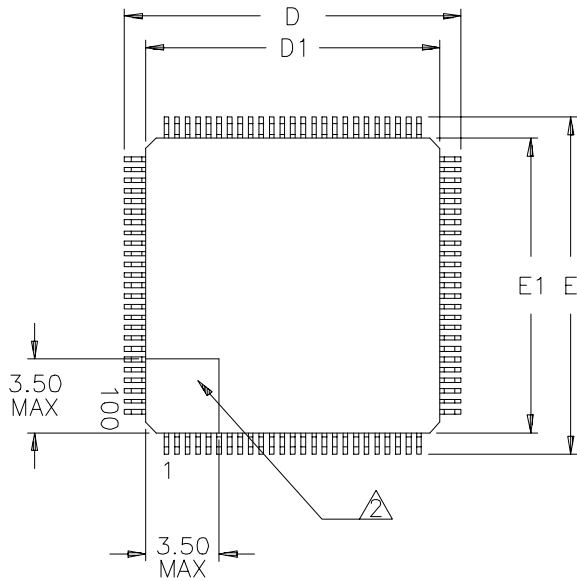
REVISION HISTORY

REVISION	DESCRIPTION
102204	New product release (DS80C410)
010705	New product release (DS80C411)
060805	Added lead-free devices to <i>Ordering Information</i> and <i>Selector Guide</i> tables.

TINI is a registered trademark of Dallas Semiconductor Corp.

PACKAGE INFORMATION

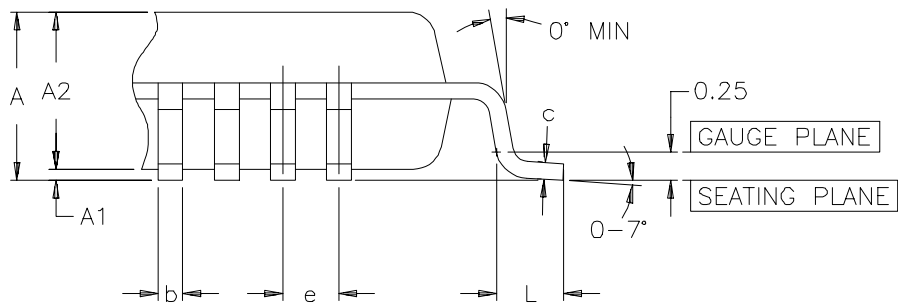
(The package drawing(s) in this data sheet may not reflect the most current specifications. For the latest package outline information, go to www.maxim-ic.com/DallasPackInfo.)



NOTES:

1. DIMENSIONS D1 AND E1 INCLUDE MOLD MISMATCH, BUT DO NOT INCLUDE MOLD PROTRUSION; ALLOWABLE PROTRUSION IS 0.25 MM PER SIDE.
2. DETAILS OF PIN 1 IDENTIFIER ARE OPTIONAL BUT MUST BE LOCATED WITHIN THE ZONE INDICATED.
3. ALLOWABLE DAMBAR PROTRUSION IS 0.08 MM TOTAL IN EXCESS OF THE b DIMENSION; PROTRUSION NOT TO BE LOCATED ON LOWER RADIUS OR FOOT OF LEAD.
4. ALL DIMENSIONS ARE IN MILLIMETERS.

DIM	MIN	MAX
A	—	1.60
A1	0.05	—
A2	1.35	1.45
b	0.17	0.27
c	0.09	0.20
D	15.80	16.20
D1	14.00	BSC
E	15.80	16.20
E1	14.00	BSC
e	0.50	BSC
L	0.45	0.75



DETAIL A

Maxim/Dallas Semiconductor cannot assume responsibility for use of any circuitry other than circuitry entirely embodied in a Maxim/Dallas Semiconductor product. No circuit patent licenses are implied. Maxim/Dallas Semiconductor reserves the right to change the circuitry and specifications without notice at any time.

Maxim Integrated Products, 120 San Gabriel Drive, Sunnyvale, CA 94086 408-737-7600

© 2005 Maxim Integrated Products • Printed USA