

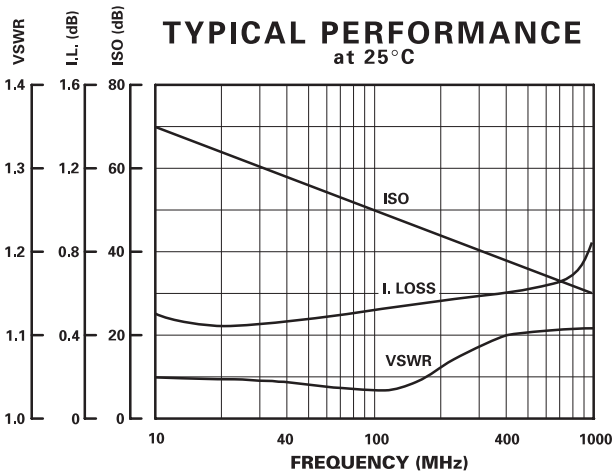
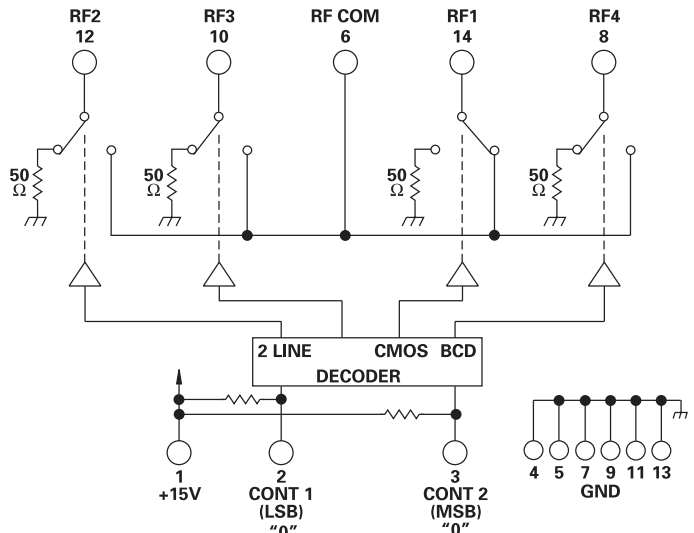
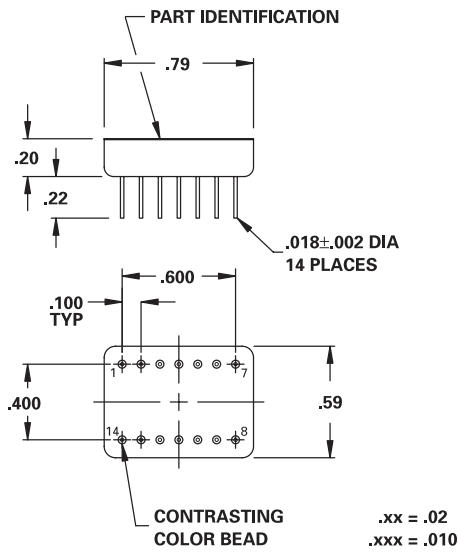
# MODEL NUMBER DS0545

# PIN Diode SP4T

## FEATURES

- 10-500 MHz
- 8 mA, +15 VDC
- 0.6 dB Insertion Loss
- CMOS Driver with BCD
- Non-Reflective
- Small 14 Pin DIP
- Low Cost

## SP4T



LOGIC TABLE		
Control State		Condition
C1	C2	RF COM to
0	0	RF1
1	0	RF2
0	1	RF3
1	1	RF4

## GUARANTEED PERFORMANCE

Parameter	Min	Typ	Max	Units	Conditions
Operating Frequency	10		500	MHz	
DC Current		8	12	mA	At +15 VDC Supply
Control Type		CMOS			2 Line, See Logic Table
Control Current	High Low		±1 -2.0	μA mA	V <sub>IH</sub> = +15V V <sub>IL</sub> = 0V
Insertion Loss		0.6	0.8	dB	
Isolation		50	55	dB	10 - 30 MHz
		40	45	dB	30 - 100 MHz
		25	30	dB	100 - 500 MHz
VSWR		1.1/1 1.2/1	1.25/1 1.5/1		Termination
Impedance		50		OHMS	
Switching Speed		7	35	μSEC	50% CMOS to 90% / 10% RF
Transition (Rise/Fall) Time		4		μSEC	90% / 10% or 10% / 90% RF
Switching (Video) Transients		220		mV	Peak Value
Intercept Points	2nd		+76	dBm	
	3rd		+47	dBm	
			+13	dBm	
RF Power	Operate No Damage		+10 +30	dBm	0,1 dB Compression
Operating Temperature	-55	+25	+125	°C	TA



DAICO Industries

310.507.3242 • FAX 310.507.5701 • www.daico.com