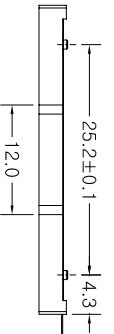
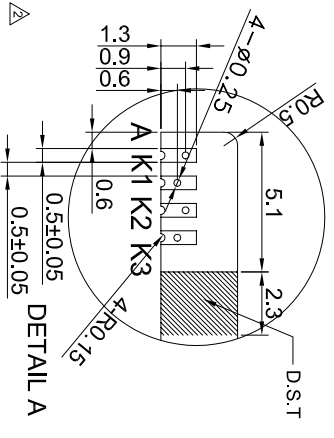
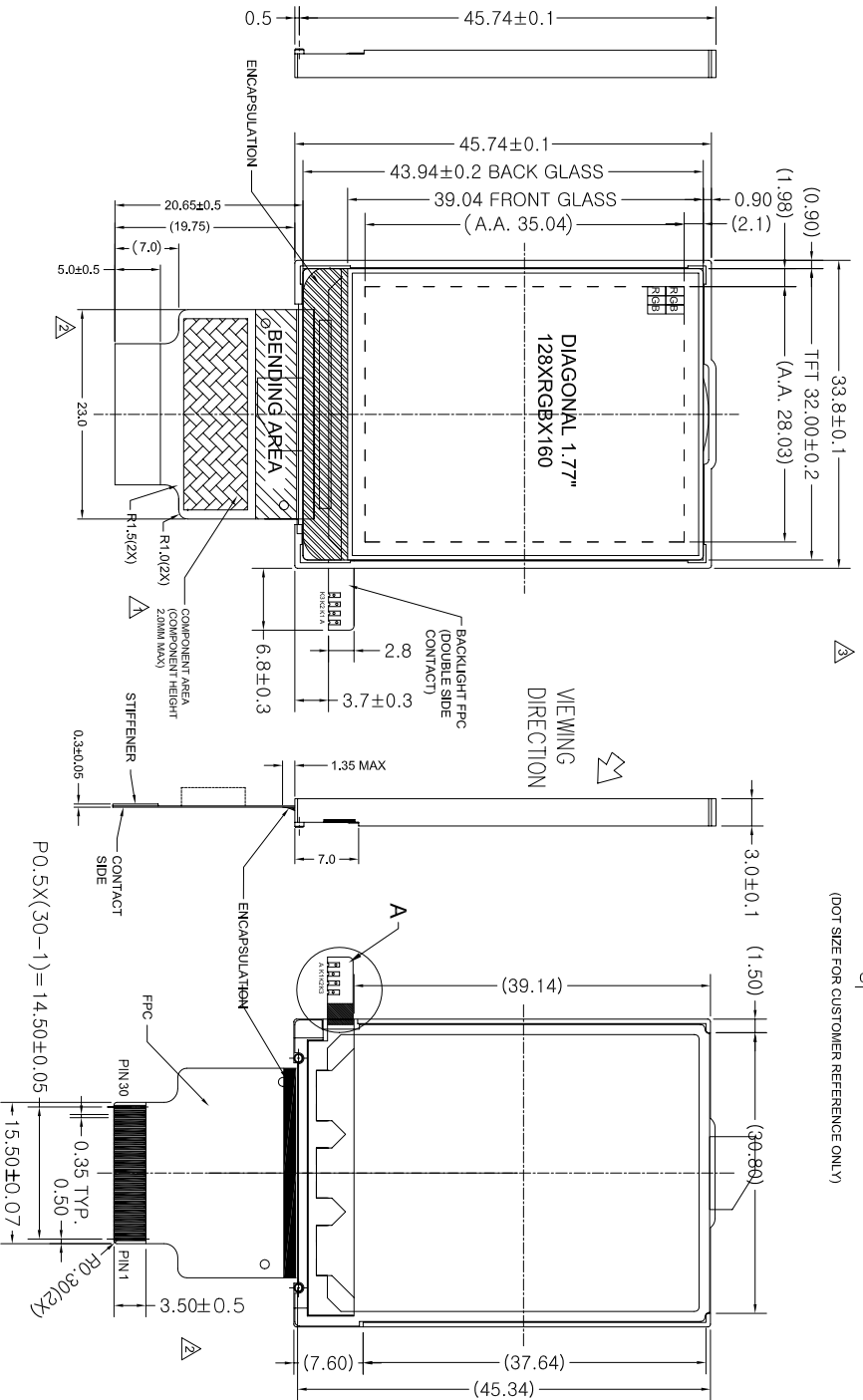
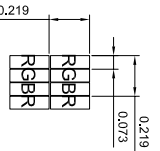


THIS DRAWING ON THE PRINT AND INFORMATION THEREON ARE PROPRIETARY TO VARTTRONIX AND SHALL NOT BE USED IN WHOLE OR IN PART WITHOUT WRITTEN PERMISSION OF VARTTRONIX.



(DOT SIZE FOR CUSTOMER REFERENCE ONLY)



DISPLAY TYPE	177° TFT, X-Y, TRANSMISSIVE, DARK COLOR
VIEWING ANGLE	177° X-Y, 90°
VIEWING ANGLE	12.0° CLOCK
MUX RATIO	1160 DUTY
LED CONTROL DRIVER	COG#231
LED DRIVING VOLTAGE	18V
OPERATING TEMPERATURE	-20°C to +70°C
STORAGE TEMPERATURE	-30°C to +80°C
TYPE	COG
BACKLIGHT	VAULT INSHI
DRIVING VOLTAGE	MIN: 18V MAX: 18V
CONSUMING CURRENT	MIN: 110mA MAX: 110mA
REMARK	THE BACKLIGHT HAS NOT BEEN TOUGHENED YET

TITLE: JCM Module Specification
PROJECT NO.: COG-T177MLH-01

CUSTOMER REF:

TOLERANCE UNLESS OTHERWISE SPECIFIED:	X.X ±0.3
DIMENSIONS IN MM	X.XX ±0.1
MATERIAL:	FINISH: N/A
SCALE:	DO NOT ON SCALE OVERALL THK: N/A

PIN NO.	1	2	3	4	5	6	7	8	9	10	11	12	13	14	15
SYMBOL	GND	VCI	VCC	CS	RS	E/W/R	R/W/RD	D0	D1	D2	D3	D4	D5	D6	D7
	D8	D9	D10	D11	D12	D13	D14	D15	D16	D17	RST	IM3	IM1	IM0	NC

NOTES:
 1. SPECIAL CHARACTERISTIC
 2. + : SAFETY CHARACTERISTIC
 3. * : CRITICAL DIMENSION
 4. () : REFERENCE DIMENSION



THIRD ANGLE PROJECTION	
DRAWN:	XG LUO
CHECKED:	CY XIE
APPROVED:	ALFRED CHAN
DATE	06.04.25
DESCRIPTION:	COG-T177MLH-01
FILE NO.:	COG-T177MLH-01 R4.DWG
REV.:	4
SHEET	1 OF 1