

Camera module CMV-61CX

OUTLINE

Developed as a small version with VGA specifications. Ultra-small size (□6.0mm) with basic performance equivalent to that of the conventional size (□8.5mm) has been achieved.



FEATURES

1. Module with low profile of 4.4mm.
2. Can support side contact and bottom contact connectors.
3. The specification that the user is demanding can correspond after it makes arrangements beforehand separately.

USES

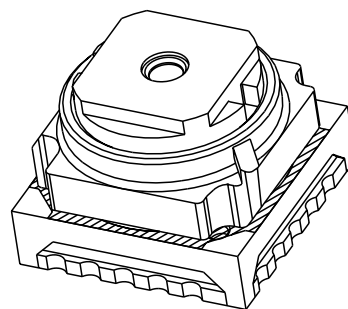
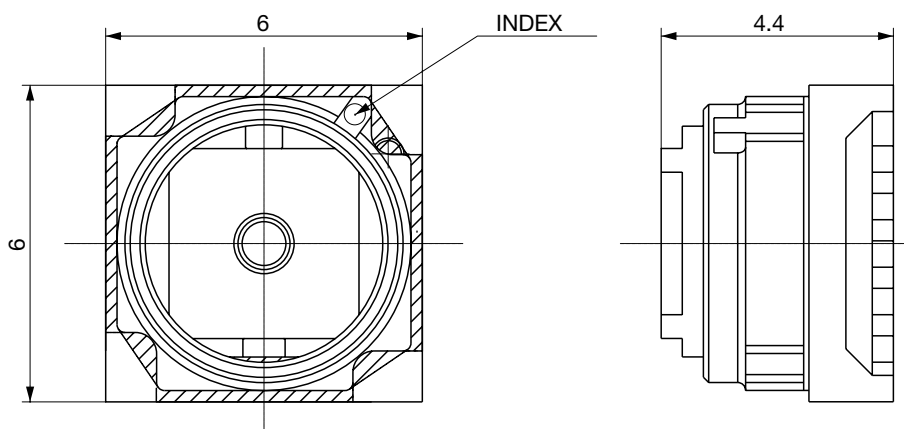
Cell phones and small sensors

SPECIFICATIONS

Item	Specification
Sensor process	CMOS
Pixel Array Size	640 (H) × 480 (V)
Data Bus Mode	8bit
Framerate	30f/s at 25MHz
Power Consumption	90mW
Operation Voltage Range	1.5V/2.8V typ.

*Specifications may be changed for the purpose of improvement and upgrading.

DIMENSIONS



Unit: mm