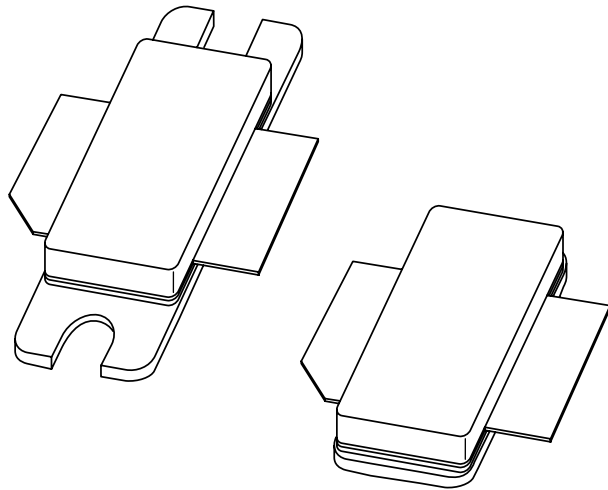


DATA SHEET



BLF900-110; BLF900S-110 Base station LDMOS transistors

Product specification
Supersedes data of 2003 Sep 22

2004 Feb 04

Base station LDMOS transistors

BLF900-110; BLF900S-110

FEATURES

- Typical CDMA IS95 performance at standard settings with a supply voltage of 27 V, frequency of 881.5 MHz and I_{DQ} of 700 mA; adjacent channel bandwidth is 30 kHz, adjacent channel at ± 750 kHz:
 - Output power = 24 W (AV)
 - Gain = 15 dB
 - Efficiency = 27%
 - ACPR = -45 dBc at 750 kHz and BW = 30 kHz.
- 110 W CW performance
- Easy power control
- Excellent ruggedness
- High power gain
- Excellent thermal stability
- Designed for broadband operation (800 to 1000 MHz)
- Internally matched for ease of use.

APPLICATIONS

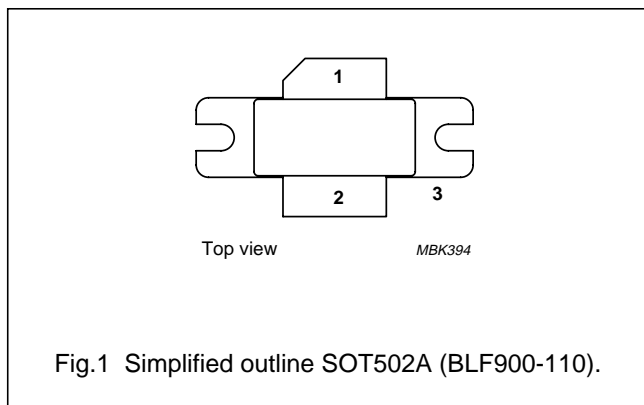
- RF power amplifier for GSM, EDGE and CDMA base stations and multicarrier operations in the 800 to 1000 MHz frequency range.

DESCRIPTION

110 W LDMOS power transistor for base station applications at frequencies from 800 to 1000 MHz.

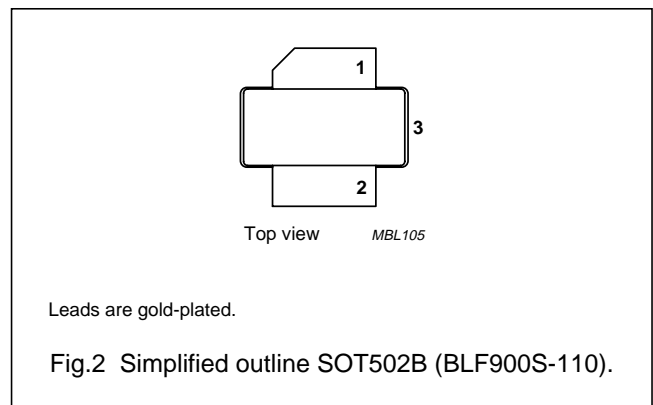
PINNING - SOT502A

PIN	DESCRIPTION
1	drain
2	gate
3	source; connected to flange



PINNING - SOT502B

PIN	DESCRIPTION
1	drain
2	gate
3	source; connected to flange



QUICK REFERENCE DATA

Typical RF performance at $T_h = 25$ °C in a common source test circuit.

MODE OF OPERATION	f (MHz)	V_{DS} (V)	P_L (W)	G_p (dB)	η_D (%)	d_3 (dBc)	ACPR 750 (dBc)
2-tone, class-AB	$f_1 = 890.0; f_2 = 890.1$	27	100 (PEP)	17	38	-33	-
CDMA (IS95)	881.5	27	24 (AV)	15	27	-	-45

Base station LDMOS transistors

BLF900-110; BLF900S-110

ORDERING INFORMATION

TYPE NUMBER	PACKAGE		
	NAME	DESCRIPTION	VERSION
BLF900-110	–	Flanged LDMOST ceramic package; 2 mounting holes; 2 leads	SOT502A
BLF900S-110	–	Earless flanged LDMOST ceramic package; 2 leads	SOT502B

LIMITING VALUES

In accordance with the Absolute Maximum Rating System (IEC 60134).

SYMBOL	PARAMETER	MIN.	MAX.	UNIT
V_{DS}	drain-source voltage	–	75	V
V_{GS}	gate-source voltage	–	± 15	V
T_{stg}	storage temperature	–65	+150	°C
T_j	junction temperature	–	200	°C

THERMAL CHARACTERISTICS

SYMBOL	PARAMETER	CONDITIONS	VALUE	UNIT
$R_{th(j-c)}$	thermal resistance from junction to case	$T_h = 25\text{ °C}$, $P_L = 160\text{ W (AV)}$, note 1	0.9	K/W

Note

1. Thermal resistance is determined under specified RF operating conditions.

CHARACTERISTICS

$T_j = 25\text{ °C}$ unless otherwise specified.

SYMBOL	PARAMETER	CONDITIONS	MIN.	TYP.	MAX.	UNIT
$V_{(BR)DSS}$	drain-source breakdown voltage	$V_{GS} = 0$; $I_D = 3\text{ mA}$	75	–	–	V
V_{GSth}	gate-source threshold voltage	$V_{DS} = 10\text{ V}$; $I_D = 250\text{ mA}$	4.5	–	5.5	V
I_{DSS}	drain-source leakage current	$V_{GS} = 0$; $V_{DS} = 28\text{ V}$	–	–	3	μA
I_{DSX}	on-state drain current	$V_{GS} = V_{GSth} + 9\text{ V}$; $V_{DS} = 10\text{ V}$	31	–	–	A
I_{GSS}	gate leakage current	$V_{GS} = \pm 15\text{ V}$; $V_{DS} = 0$	–	–	0.5	μA
g_{fs}	forward transconductance	$V_{DS} = 20\text{ V}$; $I_D = 7.5\text{ A}$	–	7	–	S
R_{DSon}	drain-source on-state resistance	$V_{GS} = V_{GSth} + 9\text{ V}$; $I_D = 9\text{ A}$	–	90	–	$\text{m}\Omega$

Base station LDMOS transistors

BLF900-110; BLF900S-110

APPLICATION INFORMATION

RF performance in a common source class-AB circuit. $V_{DS} = 27$ V; $f = 890$ MHz; $T_h = 25$ °C; unless otherwise specified.

SYMBOL	PARAMETER	CONDITIONS	MIN.	TYP.	MAX.	UNIT
Mode of operation: 2-tone CW, 100 kHz spacing, $I_{DQ} = 700$ mA						
G_p	power gain	$P_L = 100$ W (PEP)	16	17 ⁽¹⁾	–	dB
η_D	drain efficiency		35	38	–	%
IRL	input return loss		–	–9	<–6	dB
d_3	third order intermodulation distortion		–	–33	–27	dBc
	ruggedness	VSWR = 10 : 1 through all phases; $P_L = 125$ W (PEP)	no degradation in output power			
Mode of operation: CDMA, IS95 (pilot, paging, sync and traffic codes 8 to 13), $I_{DQ} = 575$ mA						
G_p	power gain	$P_L = 24$ W (AV)	–	15	–	dB
η_D	drain efficiency	$P_L = 24$ W (AV)	–	27	–	%
ACPR 750	adjacent channel power ratio	at BW = 30 kHz	–	–45	–	dBc

Note

1. Refer to RF Gain grouping table.

RF Gain grouping

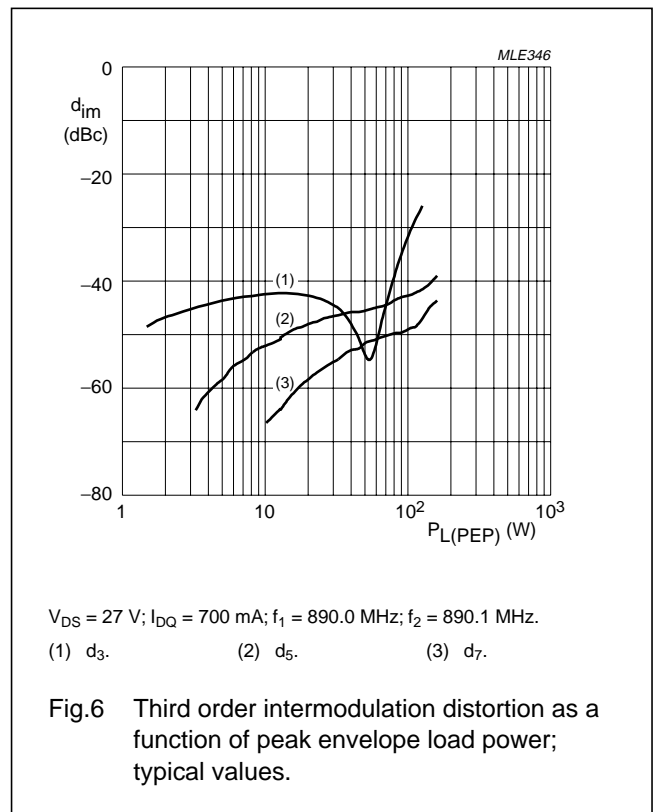
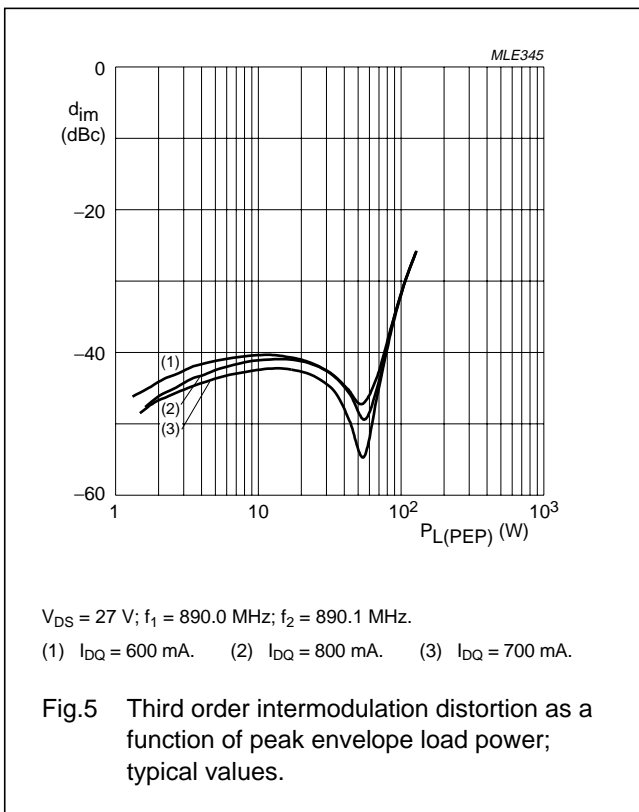
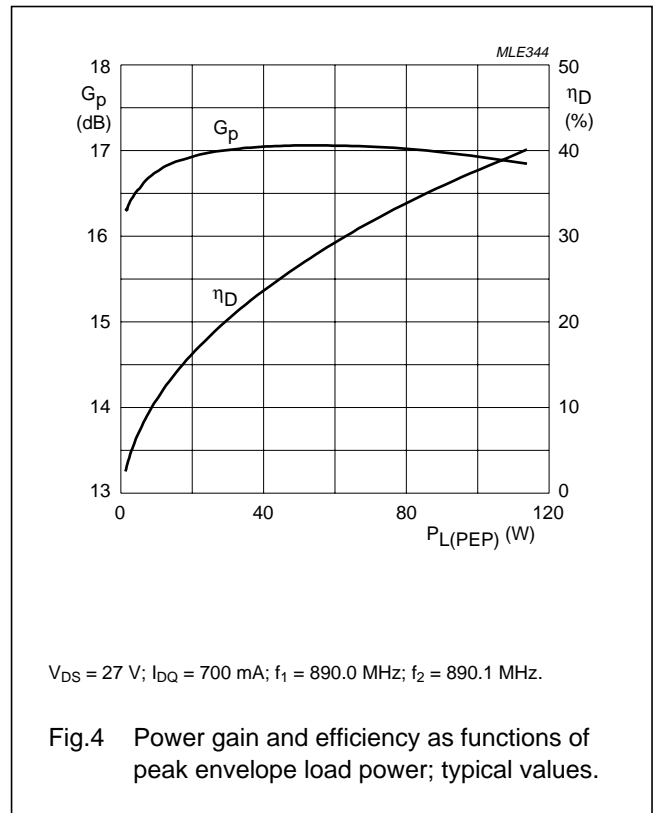
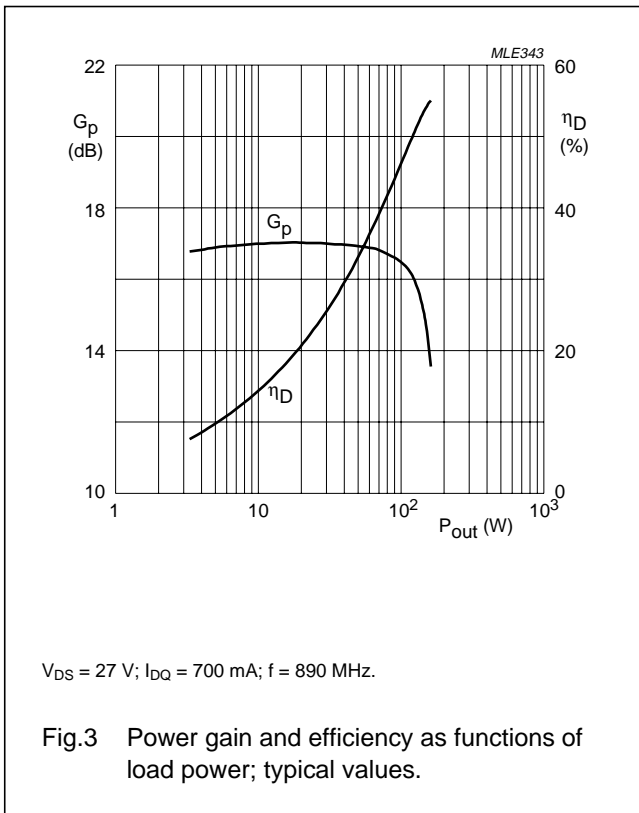
CODE ⁽¹⁾	GAIN ⁽²⁾ (dB)	
	MIN.	MAX.
B	16.0	16.5
C	16.5	17.0
D	17.0	17.5
E	17.5	18.0

Notes

1. 0.2 dB overlap is allowed for measurement repeatability.
2. For 2-tone at $f_1 = 890$ MHz; $f_2 = 890.1$ MHz.

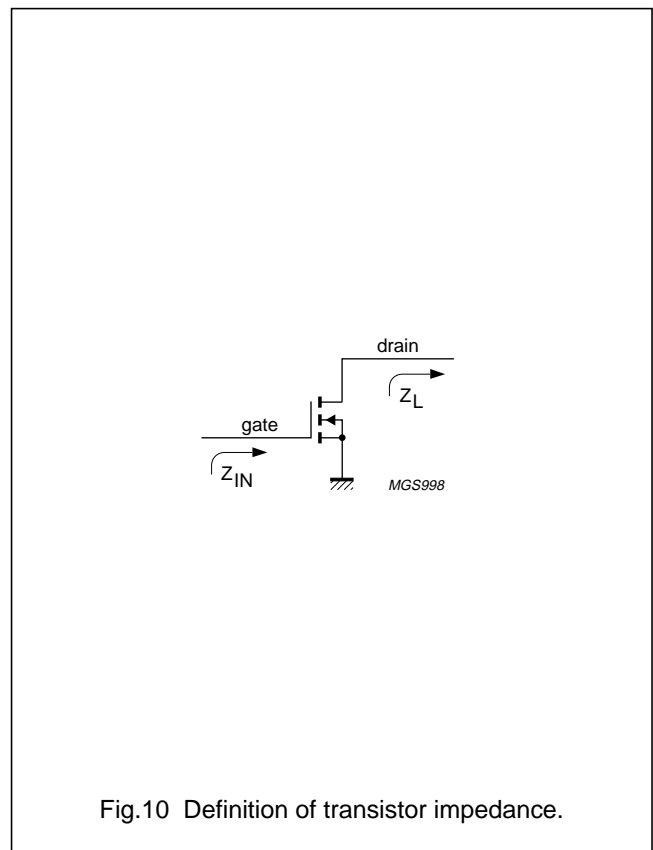
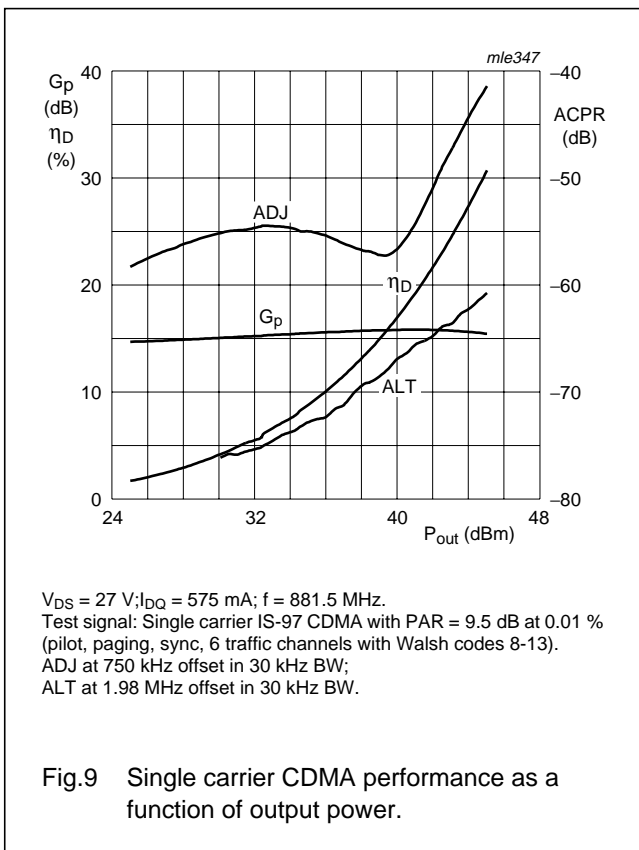
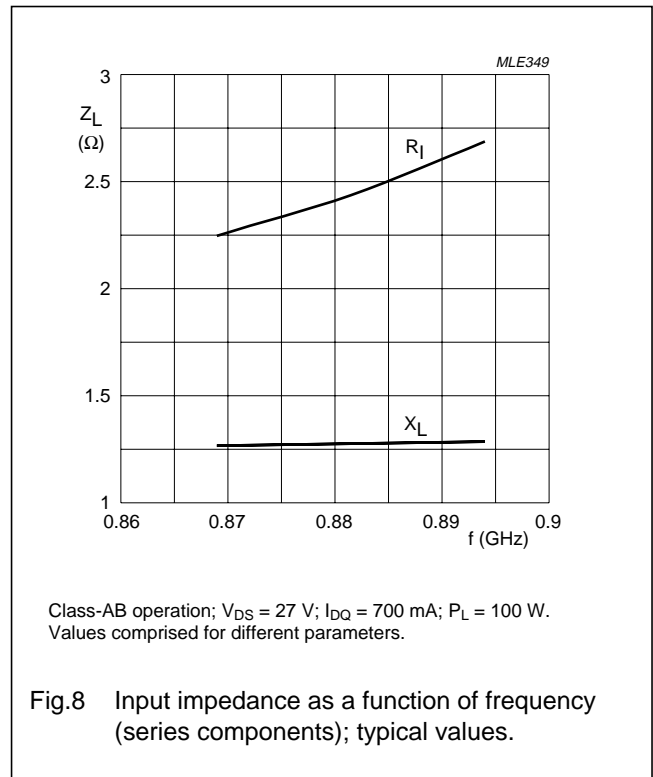
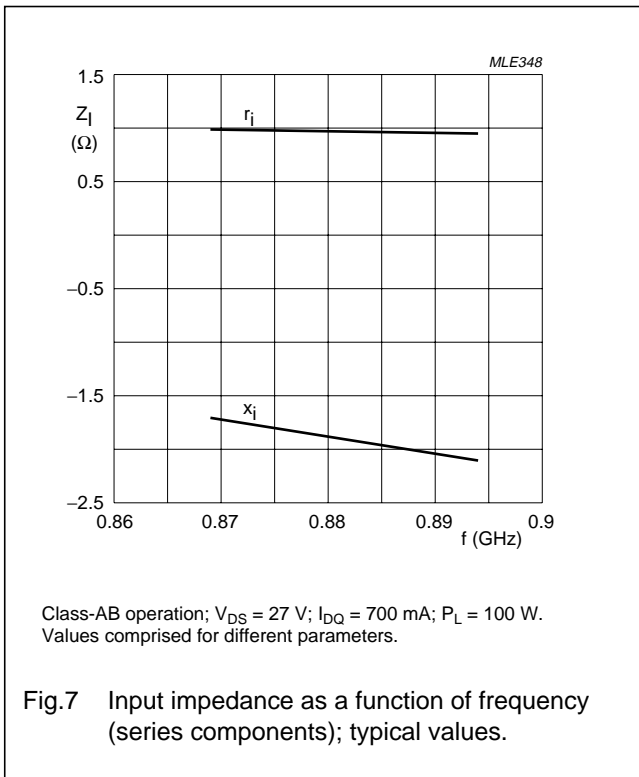
Base station LDMOS transistors

BLF900-110; BLF900S-110



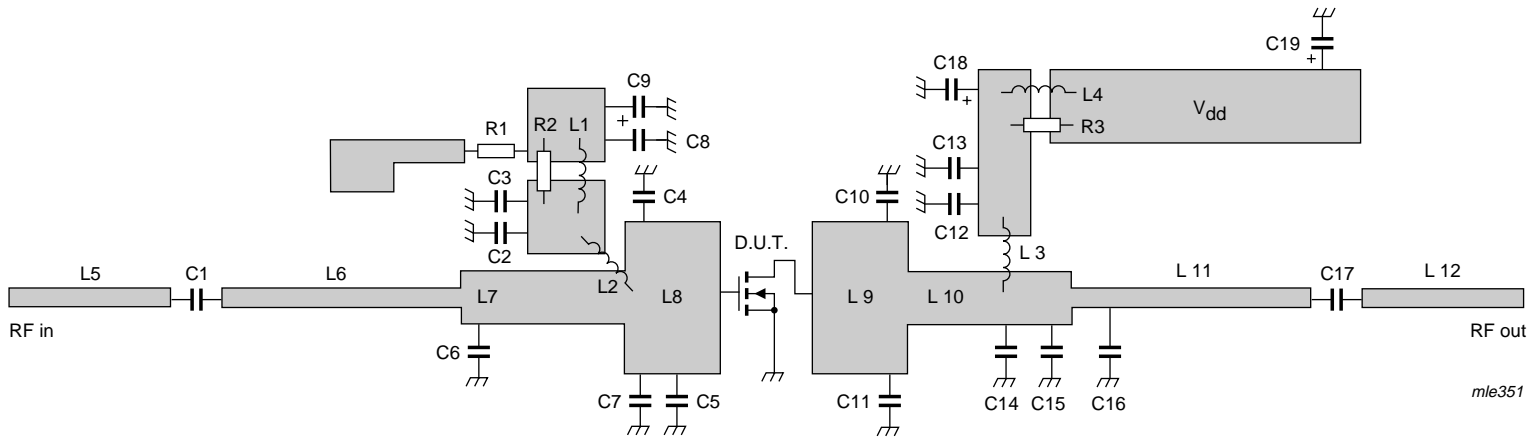
Base station LDMOS transistors

BLF900-110; BLF900S-110



Base station LDMOS transistors

BLF900-110; BLF900S-110

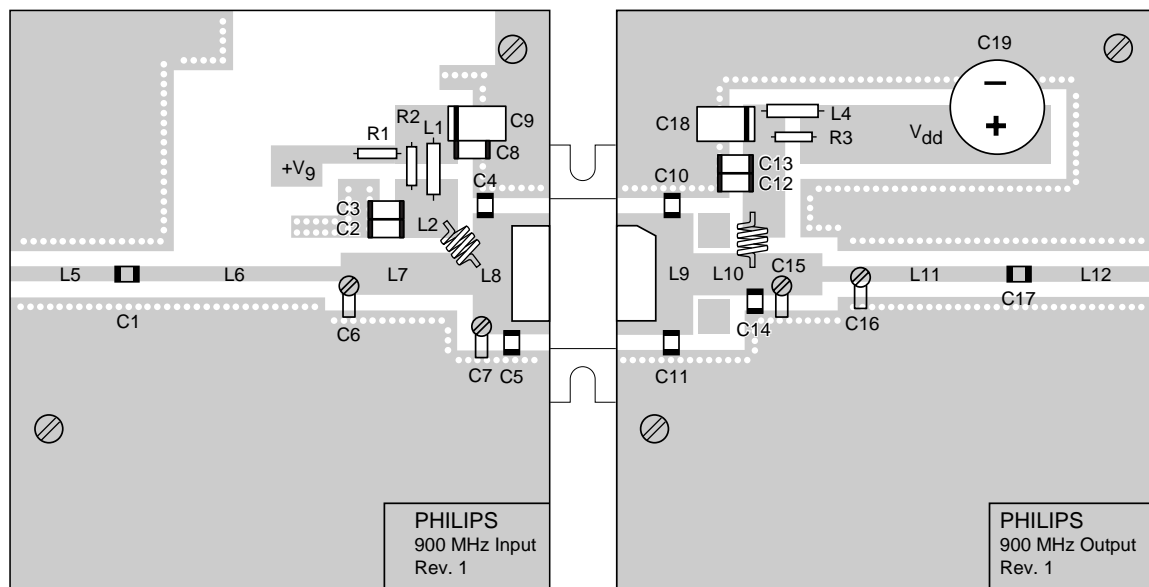
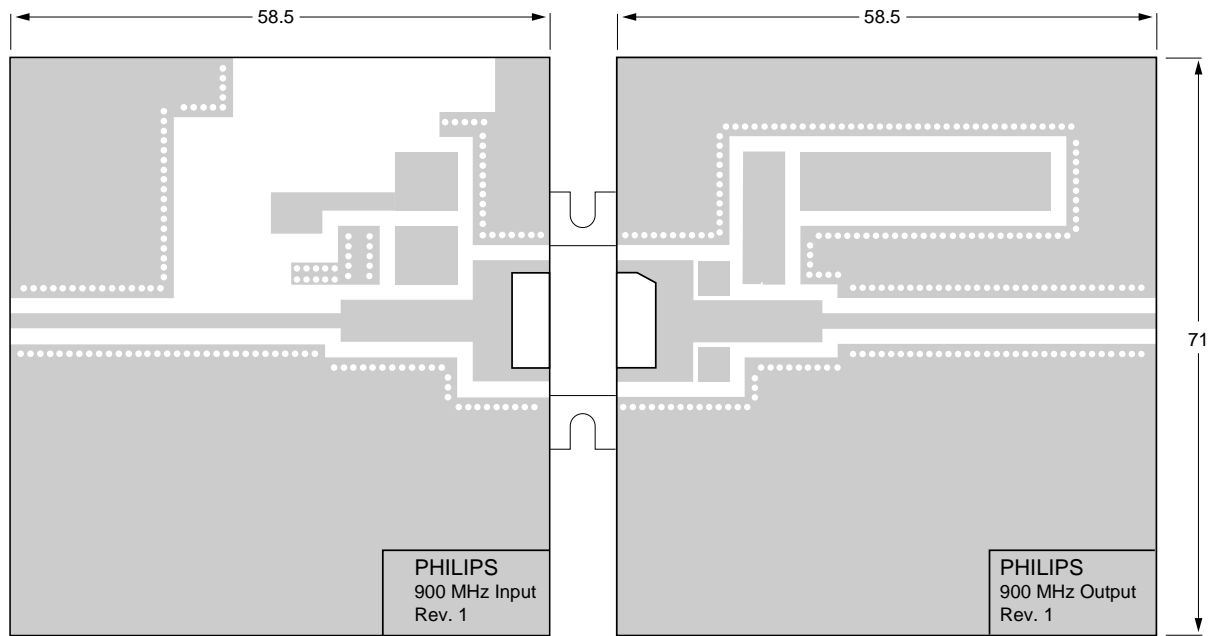


mle351

Fig.11 Test circuit for 860 to 900 MHz operation.

Base station LDMOS transistors

BLF900-110; BLF900S-110



mle350

Dimensions in mm.

The components are situated on one side of the copper-clad Ultralam 2000 printed-circuit board ($\epsilon_r = 2.5$); thickness = 31 mm. The other side is unetched and serves as a ground plane.

Fig.12 Component layout for 860 to 900 MHz test circuit.

Base station LDMOS transistors

BLF900-110; BLF900S-110

List of components (see Figs 11 and 12)

COMPONENT	DESCRIPTION	VALUE	DIMENSIONS
C1	multilayer ceramic chip capacitor; note 1	30 pF	
C2, C12	multilayer ceramic chip capacitor; note 1	47 pF	
C3, C13	multilayer ceramic chip capacitor; note 1	300 pF	
C4	multilayer ceramic chip capacitor; note 1	10 pF	
C5	multilayer ceramic chip capacitor; note 1	3 pF	
C6, C7, C15	trimmer capacitors (Tekelec); note 2	0.8 to 8 pF	
C8	multilayer ceramic chip capacitor; note 1	20 nF	
C9	tantalum capacitor	10 μ F; 35 V	
C10, C11	multilayer ceramic chip capacitor; note 1	13 pF	
C14	multilayer ceramic chip capacitor; note 1	8.2 pF	
C16	trimmer capacitor	0.5 to 4.5 pF	
C17	multilayer ceramic chip capacitor; note 1	56 pF	
C18	tantalum capacitor; low ESR	10 μ F; 35 V	
C19	electrolytic capacitor	220 μ F; 40 V	
L1	ferrite bead (long)	grade 4S2	
L2	3 turn ind. copper wire		1 mm; int dia = 4.5 mm
L3	4 turn ind. copper wire		1 mm; int dia = 3 mm
L4	ferrite bead (short)	grade 4S2	
L5	stripline; note 3	$Z_0 = 50 \Omega$	2 x 17.2 mm
L6	stripline; note 3	$Z_0 = 50 \Omega$	2 x 25.4 mm
L7	stripline; note 3	$Z_0 = 50 \Omega$	5.6 x 17.4 mm
L8	stripline; note 3	$Z_0 = 50 \Omega$	16 x 10.2 mm
L9	stripline; note 3	$Z_0 = 10 \Omega$	16 x 10.2 mm
L10	stripline; note 3	$Z_0 = 25 \Omega$	5.6 x 17.4 mm
L11	stripline; note 3	$Z_0 = 50 \Omega$	2 x 25.4 mm
L12	stripline; note 3	$Z_0 = 50 \Omega$	2 x 17.2 mm
R1	SMD resistor	8.2 Ω , 0.1 W	
R2	SMD resistor	4.7 Ω , 0.1 W	
R3	metal film resistor	10 Ω , 0.6 W	

Notes

- American Technical Ceramics type 100A or capacitor of same quality.
- Mounted flat.
- Striplines are on a double copper-clad Ultralam 2000 printed-circuit board ($\epsilon_r = 2.5$); thickness = 0.31 mm.

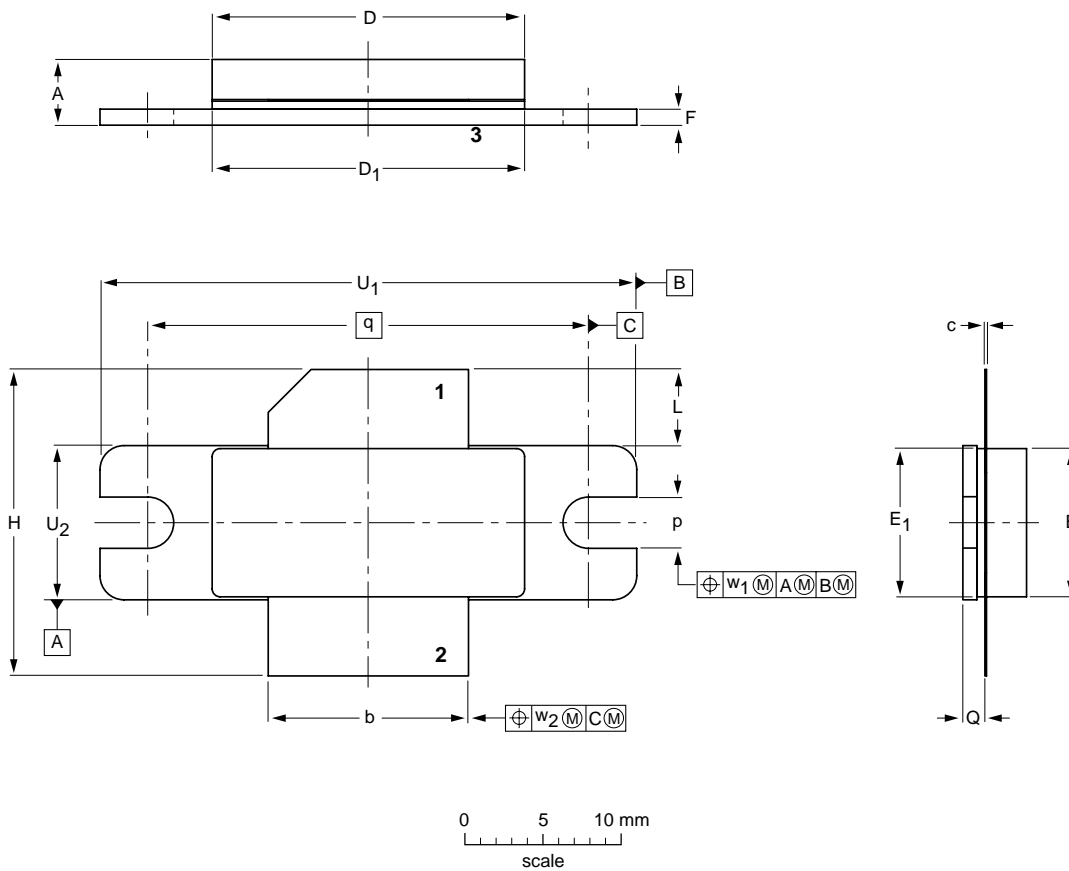
Base station LDMOS transistors

BLF900-110; BLF900S-110

PACKAGE OUTLINES

Flanged LDMOST ceramic package; 2 mounting holes; 2 leads

SOT502A



DIMENSIONS (millimetre dimensions are derived from the original inch dimensions)

UNIT	A	b	c	D	D ₁	E	E ₁	F	H	L	p	Q	q	U ₁	U ₂	w ₁	w ₂
mm	4.72	12.83	0.15	20.02	19.96	9.50	9.53	1.14	19.94	5.33	3.38	1.70	27.94	34.16	9.91	0.25	0.51
	3.43	12.57	0.08	19.61	19.66	9.30	9.25	0.89	18.92	4.32	3.12	1.45		33.91	9.65		
inches	0.186	0.505	0.006	0.788	0.786	0.374	0.375	0.045	0.785	0.210	0.133	0.067	1.100	1.345	0.390	0.01	0.02
	0.135	0.495	0.003	0.772	0.774	0.366	0.364	0.035	0.745	0.170	0.123	0.057		1.335	0.380		

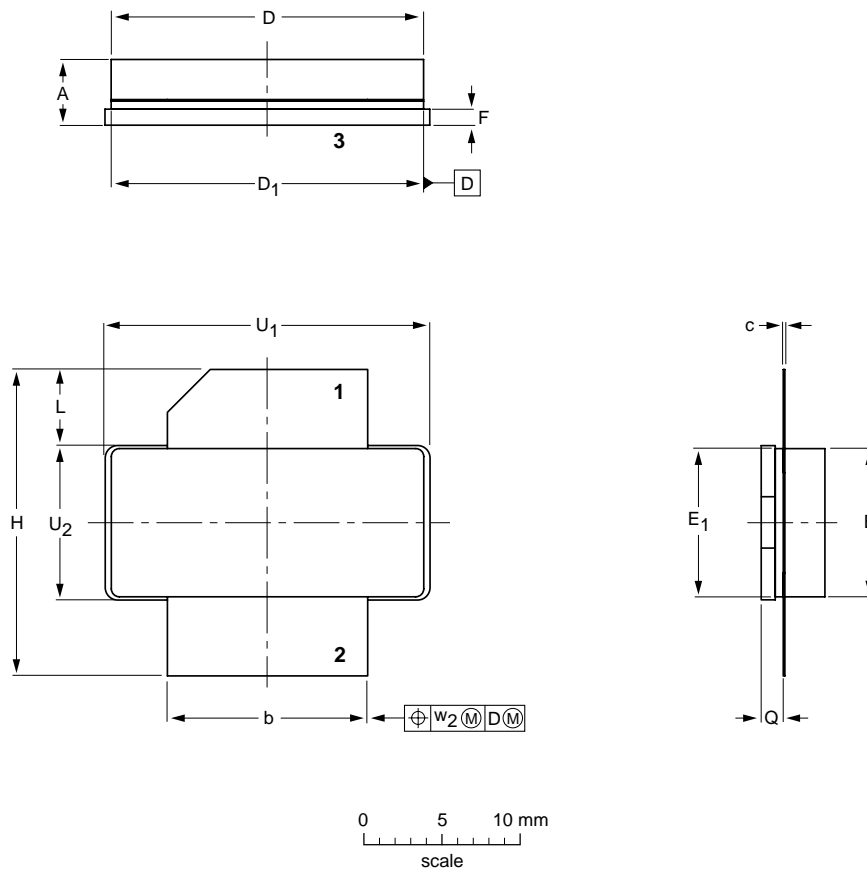
OUTLINE VERSION	REFERENCES			EUROPEAN PROJECTION	ISSUE DATE
	IEC	JEDEC	JEITA		
SOT502A					99-12-28 03-01-10

Base station LDMOS transistors

BLF900-110; BLF900S-110

Earless flanged LDMOST ceramic package; 2 leads

SOT502B



DIMENSIONS (millimetre dimensions are derived from the original inch dimensions)

UNIT	A	b	c	D	D ₁	E	E ₁	F	H	L	Q	U ₁	U ₂	w ₂
mm	4.72	12.83	0.15	20.02	19.96	9.50	9.53	1.14	19.94	5.33	1.70	20.70	9.91	0.25
	3.43	12.57	0.08	19.61	19.66	9.30	9.25	0.89	18.92	4.32	1.45	20.45	9.65	
inches	0.186	0.505	0.006	0.788	0.786	0.374	0.375	0.045	0.785	0.210	0.067	0.815	0.390	0.010
	0.135	0.495	0.003	0.772	0.774	0.366	0.364	0.035	0.745	0.170	0.057	0.805	0.380	

OUTLINE VERSION	REFERENCES				EUROPEAN PROJECTION	ISSUE DATE
	IEC	JEDEC	JEITA			
SOT502B						99-12-28-03-01-10

Base station LDMOS transistors

BLF900-110; BLF900S-110

DATA SHEET STATUS

LEVEL	DATA SHEET STATUS ⁽¹⁾	PRODUCT STATUS ⁽²⁾⁽³⁾	DEFINITION
I	Objective data	Development	This data sheet contains data from the objective specification for product development. Philips Semiconductors reserves the right to change the specification in any manner without notice.
II	Preliminary data	Qualification	This data sheet contains data from the preliminary specification. Supplementary data will be published at a later date. Philips Semiconductors reserves the right to change the specification without notice, in order to improve the design and supply the best possible product.
III	Product data	Production	This data sheet contains data from the product specification. Philips Semiconductors reserves the right to make changes at any time in order to improve the design, manufacturing and supply. Relevant changes will be communicated via a Customer Product/Process Change Notification (CPCN).

Notes

1. Please consult the most recently issued data sheet before initiating or completing a design.
2. The product status of the device(s) described in this data sheet may have changed since this data sheet was published. The latest information is available on the Internet at URL <http://www.semiconductors.philips.com>.
3. For data sheets describing multiple type numbers, the highest-level product status determines the data sheet status.

DEFINITIONS

Short-form specification — The data in a short-form specification is extracted from a full data sheet with the same type number and title. For detailed information see the relevant data sheet or data handbook.

Limiting values definition — Limiting values given are in accordance with the Absolute Maximum Rating System (IEC 60134). Stress above one or more of the limiting values may cause permanent damage to the device. These are stress ratings only and operation of the device at these or at any other conditions above those given in the Characteristics sections of the specification is not implied. Exposure to limiting values for extended periods may affect device reliability.

Application information — Applications that are described herein for any of these products are for illustrative purposes only. Philips Semiconductors make no representation or warranty that such applications will be suitable for the specified use without further testing or modification.

DISCLAIMERS

Life support applications — These products are not designed for use in life support appliances, devices, or systems where malfunction of these products can reasonably be expected to result in personal injury. Philips Semiconductors customers using or selling these products for use in such applications do so at their own risk and agree to fully indemnify Philips Semiconductors for any damages resulting from such application.

Right to make changes — Philips Semiconductors reserves the right to make changes in the products - including circuits, standard cells, and/or software - described or contained herein in order to improve design and/or performance. When the product is in full production (status 'Production'), relevant changes will be communicated via a Customer Product/Process Change Notification (CPCN). Philips Semiconductors assumes no responsibility or liability for the use of any of these products, conveys no licence or title under any patent, copyright, or mask work right to these products, and makes no representations or warranties that these products are free from patent, copyright, or mask work right infringement, unless otherwise specified

Philips Semiconductors – a worldwide company

Contact information

For additional information please visit <http://www.semiconductors.philips.com>. Fax: +31 40 27 24825

For sales offices addresses send e-mail to: sales.addresses@www.semiconductors.philips.com.

© Koninklijke Philips Electronics N.V. 2004

SCA76

All rights are reserved. Reproduction in whole or in part is prohibited without the prior written consent of the copyright owner.

The information presented in this document does not form part of any quotation or contract, is believed to be accurate and reliable and may be changed without notice. No liability will be accepted by the publisher for any consequence of its use. Publication thereof does not convey nor imply any license under patent- or other industrial or intellectual property rights.

Printed in The Netherlands

R77/02/pp13

Date of release: 2004 Feb 04

Document order number: 9397 750 12171

Let's make things better.

**Philips
Semiconductors**



PHILIPS