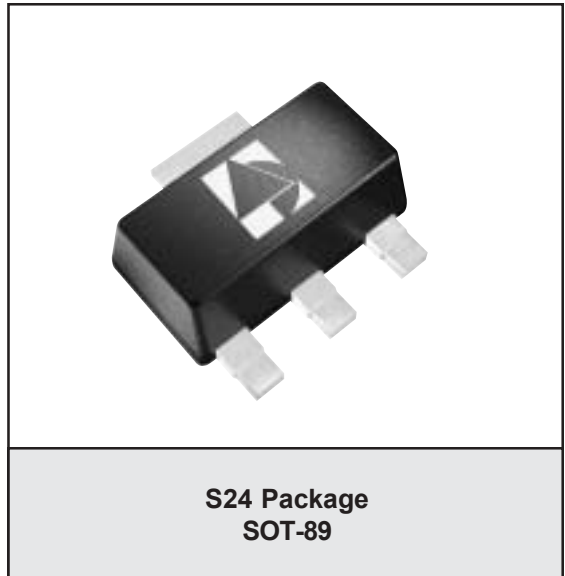


FEATURES

- DC-7000 MHz Operation Bandwidth
- +27.5 dBm Output IP3 at 850 MHz
- 4.5 dB Noise Figure at 850 MHz
- 20.5 dB Gain at 850 MHz
- +14.5 dBm P1dB at 1950 MHz
- SOT-89 Package
- Single +5 V to +12 V Supply
- Case Temperature: -40 to +85 °C

APPLICATIONS

- Cellular Base Stations for W-CDMA, CDMA, TDMA, GSM, PCS and CDPD systems
- Fixed Wireless
- MMDS/WLL
- WLAN, HyperLAN

**PRODUCT DESCRIPTION**

The AGB3306 is one of a series of high performance InGaP HBT amplifiers designed for use in applications requiring high linearity, low noise and low distortion. No external matching components are needed for insertion into a 50 Ω system. With a high output IP3, low noise figure and wide band

operation, the AGB3306 is ideal for wireless infrastructure applications such as Cellular Base Stations, MMDS, and WLL. Offered in a low cost SOT-89 surface mount package, the AGB3306 requires a single supply voltage, and typically consumes 0.25 Watts of power using a +8 V supply.

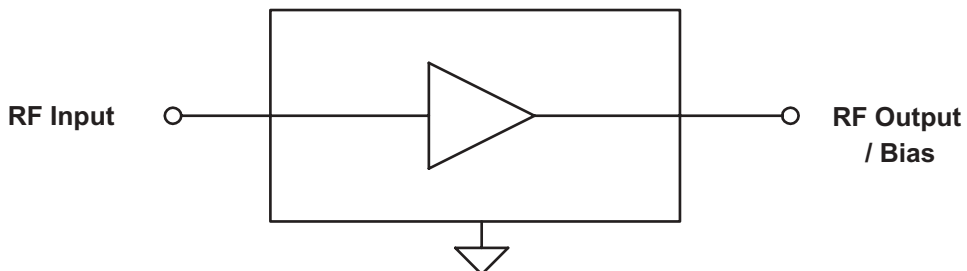


Figure 1: Block Diagram

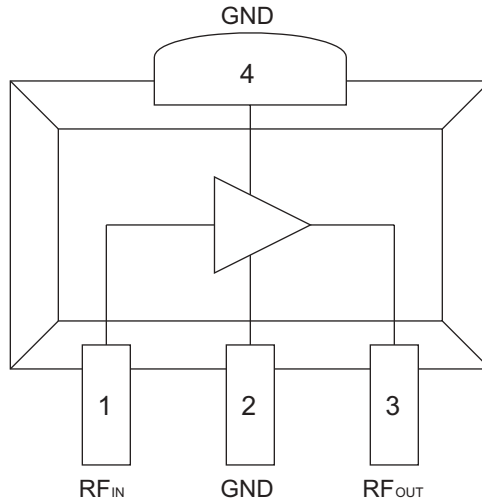


Figure 2: Pinout (X-ray Top View)

Table 1: Pin Description

PIN	NAME	DESCRIPTION
1	RF _{IN}	RF Input
2	GND	Ground
3	RF _{OUT}	RF Output / Bias
4	GND	Ground

ELECTRICAL CHARACTERISTICS

Table 2: Absolute Minimum and Maximum Ratings

PARAMETER	MIN	MAX	UNIT
Device Voltage (V_{CC})	0	+6	VDC
RF Input Power (P_{IN})	-	+10	dBm
Storage Temperature (T_{STG})	-40	+150	°C
Junction Temperature	-	+200	°C

Stresses in excess of the absolute ratings may cause permanent damage. Functional operation is not implied under these conditions. Exposure to absolute ratings for extended periods of time may adversely affect reliability.

Table 3: Operating Ranges

PARAMETER	MIN	TYP	MAX	UNIT
Operating Frequency (f) ⁽¹⁾	-	-	7000	MHz
Supply Voltage (V_{SUPPLY}) ⁽²⁾	-	+8	-	VDC
Case Temperature (T_C)	-40	-	+85	°C

The device may be operated safely over these conditions; however, parametric performance is guaranteed only over the conditions defined in the electrical specifications.

Notes:

- (1) Operating frequency is defined by the output return loss (S22) having a VSWR less than 2:1.
- (2) Voltage applied through a bias resistor and inductor. Refer to Figure 3. For other supply voltages, see the APPLICATION INFORMATION section.

Table 4: Electrical Specifications
 (T_A = +25 °C, V_{SUPPLY} = +8 VDC, 50Ω System)

PARAMETER	MIN	TYP	MAX	UNIT	
Gain (S ₂₁)	850 MHz	-	20.6	-	dB
	1950 MHz	-	18.7	-	
	2140 MHz	-	18.2	-	
	2450 MHz	-	17.7	-	
Output IP3 ⁽¹⁾	850 MHz	-	+27.5	-	dBm
	1950 MHz	-	+27.4	-	
	2140 MHz	-	+27.8	-	
	2450 MHz	-	+27.0	-	
Output 1dB Compression (P1dB)	1950 MHz	-	+14.6	-	dBm
Noise Figure	850 MHz	-	4.5	-	dB
Thermal Resistance (θ _{Jc}) ⁽²⁾	-	420	-	°C/W	
Supply Current (I _{cc})	-	33	-	mA	

Notes:

- (1) OIP3 is measured with two tones at 1 MHz spacing at 0 dBm output power per tone.
- (2) The value for Thermal Resistance is based on a Device Voltage (V_{cc}) of +3.8 Volts.
3. Performance as measured on ANADIGICS test fixture (see Figure 3).

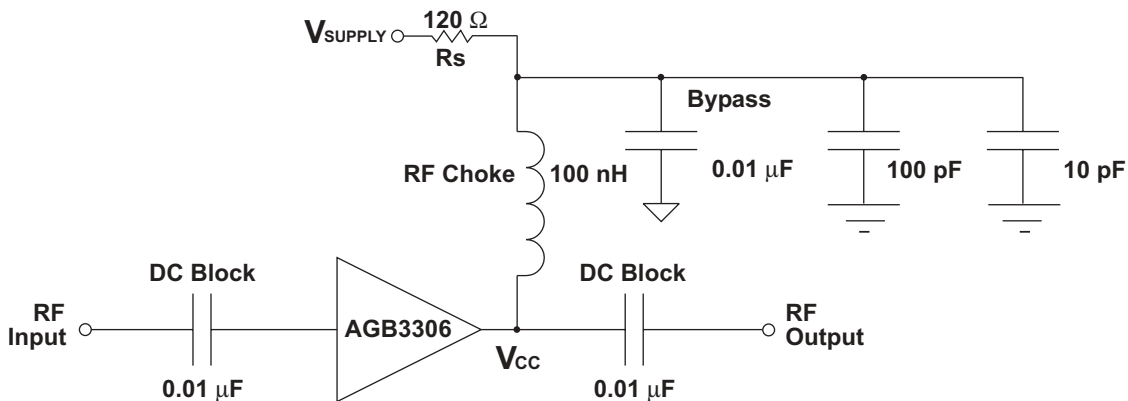


Figure 3: Application Circuit (50Ω Terminations)

PERFORMANCE DATA

Figure 4: Gain vs. Frequency
De-embedded 50Ω S-parameter
 (T_A = +25 °C, V_{CC} = +3.8 V, I_{CC} = 33 mA)

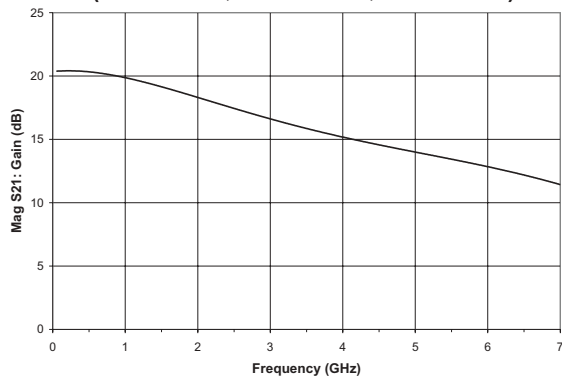


Figure 5: Isolation vs. Frequency
De-embedded 50Ω S-parameter
 (T_A = +25 °C, V_{CC} = +3.8 V, I_{CC} = 33 mA)

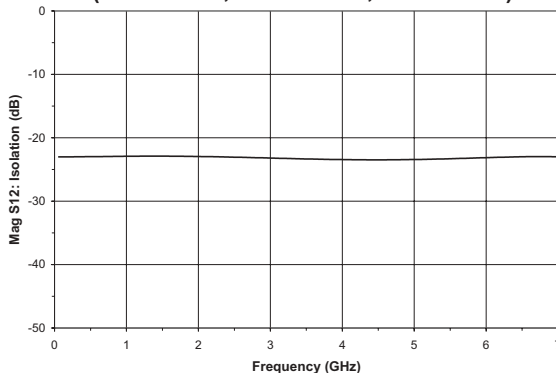


Figure 6: Input Return Loss vs. Frequency
De-embedded 50Ω S-parameter
 (T_A = +25 °C, V_{CC} = +3.8 V, I_{CC} = 33 mA)

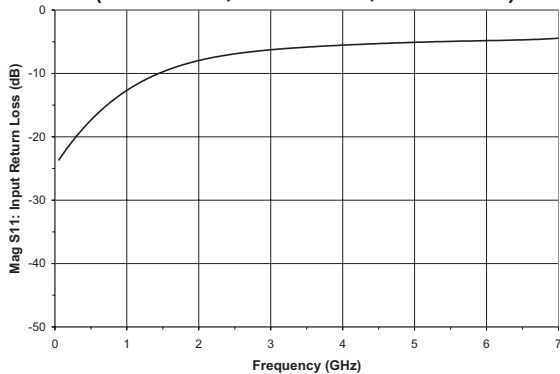
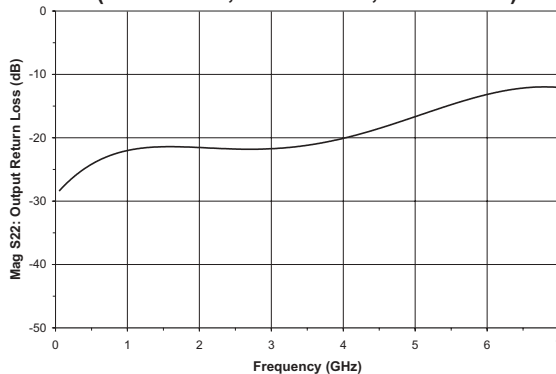


Figure 7: Output Return Loss vs. Frequency
De-embedded 50Ω S-parameter
 (T_A = +25 °C, V_{CC} = +3.8 V, I_{CC} = 33 mA)



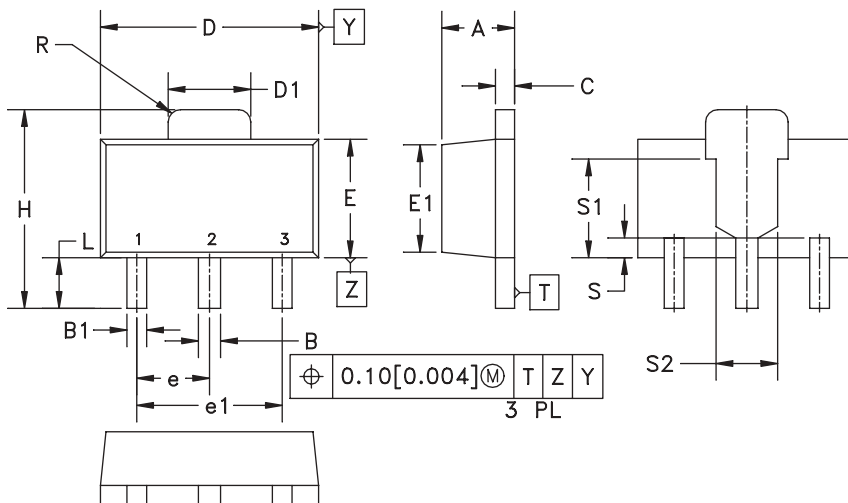
APPLICATION INFORMATION

The AGB3306 is optimized for a bias current of 33 mA. Using a +8 V supply, a bias resistor (R_s) of 120 Ω will provide the appropriate bias (see Figure 3). Table 5 shows the recommended value of R_s for other supply voltages.

Table 5: Bias Resistor Values for Various Supply Voltages

V_{SUPPLY}	+5 V	+8 V	+9 V	+12 V
R_s	30 Ω	120 Ω	150 Ω	240 Ω

PACKAGE OUTLINE



SYMBOL	MILLIMETERS		INCHES		NOTE
	MIN.	MAX.	MIN.	MAX.	
A	1.40	1.60	0.055	0.063	—
B	0.44	0.56	0.017	0.022	—
B1	0.36	0.48	0.014	0.019	3
C	0.35	0.44	0.014	0.017	—
D	4.40	4.60	0.173	0.181	—
D1	1.62	1.83	0.064	0.072	—
E	2.29	2.60	0.090	0.102	—
E1	2.13	2.29	0.084	0.090	4
e	1.50	BSC	0.059	BSC	—
e1	3.00	BSC	0.118	BSC	—
H	3.94	4.25	0.155	0.167	—
L	0.89	1.20	0.035	0.047	—
R	—	0.25	—	0.010	—
S	0.40	NOM.	0.016	NOM.	4
S1	2.03	NOM.	0.080	NOM.	4
S2	1.27	NOM.	0.050	NOM.	4

NOTES:

1. CONTROLLING DIMENSIONS: MILLIMETERS.
2. DIMENSIONS DO NOT INCLUDE END FLASH, MOLD FLASH OR MATERIAL PROTRUSIONS.
3. DIMENSION B1, 2 PLACES.
4. DIMENSIONS E1, S, S1 & S2 – REFERENCE ONLY.
5. REFERENCE JEDEC TO-243 (AA).

Figure 8: S24 Package Outline – SOT-89

TOP BRAND



NOTES:

1. ANADIGICS LOGO SIZE: X=0.040±0.010 Y=0.048±0.010
2. PART NUMBER: FOUR NUMERIC CHARACTERS
3. WAFER LOT NUMBER: LLLL= FOUR NUMERIC CHARACTERS
NN= TWO ALPHABETIC CHARACTERS
4. TYPE : ELITE
SIZE : 2-POINT
COLOR : LASER

Figure 9: Branding Specification

ORDERING INFORMATION

PART NUMBER	TEMPERATURE RANGE	PACKAGE DESCRIPTION	COMPONENT PACKAGING
AGB3306S24Q1	-40 to +85°C	SOT-89 Package	1,000 piece Tape and Reel

**ANADIGICS, Inc.**

141 Mount Bethel Road
 Warren, New Jersey 07059, U.S.A.
 Tel: +1 (908) 668-5000
 Fax: +1 (908) 668-5132

URL: <http://www.anadigics.com>
 E-mail: Mktg@anadigics.com

IMPORTANT NOTICE

ANADIGICS, Inc. reserves the right to make changes to its products or to discontinue any product at any time without notice. The product specifications contained in Advanced Product Information sheets and Preliminary Data Sheets are subject to change prior to a product's formal introduction. Information in Data Sheets have been carefully checked and are assumed to be reliable; however, ANADIGICS assumes no responsibilities for inaccuracies. ANADIGICS strongly urges customers to verify that the information they are using is current before placing orders.

WARNING

ANADIGICS products are not intended for use in life support appliances, devices or systems. Use of an ANADIGICS product in any such application without written consent is prohibited.