



# 78DxxA

## Linear Integrated Circuit

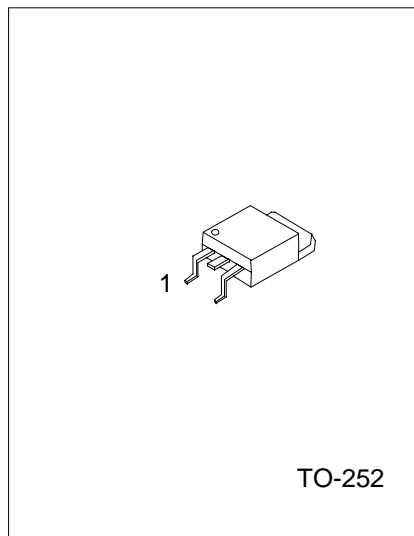
### 3-TERMINALS 1A POSITIVE VOLTAGE REGULATOR

#### DESCRIPTION

The UTC 78DXXA family is monolithic fixed voltage regulator integrated circuit. They are suitable for applications that required supply current up to 1 A.

#### FEATURES

- \* Peak output current up to 1A.
- \* Fixed output voltage of 3.3V, 4.7V, 5V, 6V, 7V, 8V, 9V, 10V, 12V, 15V, 18V and 24V available.
- \* Thermal overload shutdown protection.
- \* Short circuit current limiting.
- \* Output transistor SOA protection.



\*Pb-free plating product number: 78DxxAL

#### PIN CONFIGURATION

PIN NO.	PIN NAME
1	Input
2	Ground
3	Output

#### ORDERING INFORMATION

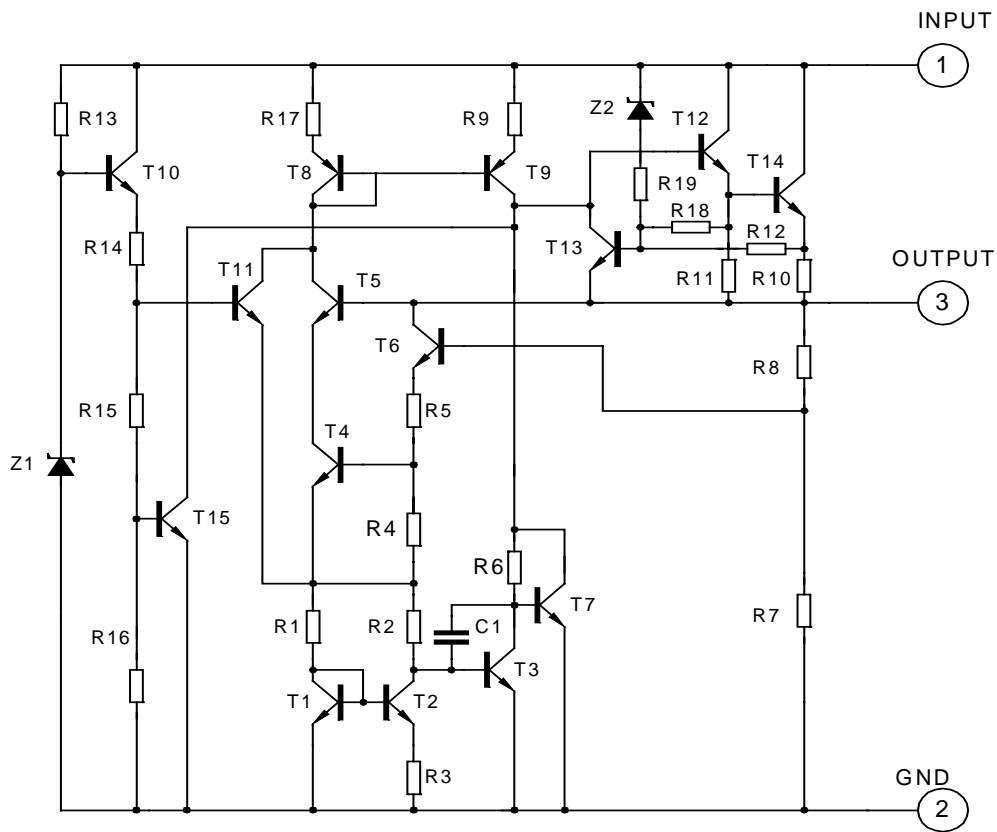
Ordering Number		Package	Packing
Normal	Lead Free Plating		
78DxxA-TM3-T	78DxxAL-TM3-T	TO-251	Tube
78DxxA-TN3-R	78DxxAL-TN3-R	TO-252	Tape Reel
78DxxA-TN3-T	78DxxAL-TN3-T	TO-252	Tube

Note: xx: Output Voltage, refer to below table.

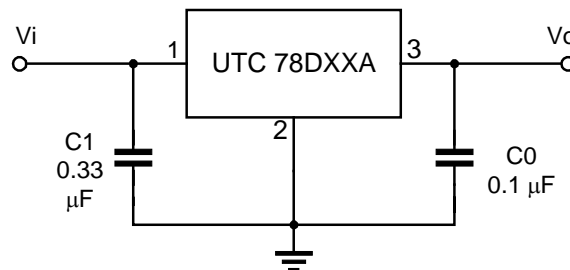
#### OUTPUT VOLTAGE INFORMATION

Output Voltage	Code
3.3V	33
4.7V	47
5V	05
6V	06
7V	07
8V	08
9V	09
10V	10
12V	12
15V	15
18V	18
24V	24

### ■ BLOCK DIAGRAM



### ■ APPLICATION CIRCUIT



Note: Bypass capacitors are recommended for optimum stability and transient response and should be located as close as possible to the regulators.

■ ABSOLUTE MAXIMUM RATINGS (Ta = 25°C, unless otherwise specified)

PARAMETER	SYMBOL	RATINGS	UNIT	
Input Voltage	V <sub>IN</sub>	V <sub>OUT</sub> = 3.3~18V	35	V
		V <sub>OUT</sub> = 20~24V	40	
Output Current	I <sub>OUT</sub>	1	A	
Power Dissipation	P <sub>D</sub>	Internally Limited	W	
Operating Temperature Range	T <sub>OPR</sub>	-40 ~ +85	°C	
Operating Junction Temperature	T <sub>J</sub>	0~+125	°C	
Storage Temperature Range	T <sub>STG</sub>	-40 ~ +150	°C	

Note:1. Absolute maximum ratings are stress ratings only and functional device operation is not implied. The device could be damaged beyond Absolute maximum ratings.

2. The device is guaranteed to meet performance specifications within 0°C~70°C operating temperature range and assured by design from -40°C~85°C.
3. The maximum steady state usable output current are dependent on input voltage, heat sinking, lead length of the package and copper pattern of PCB. The data are showed as electrical characteristics table represents pulse test conditions with junction temperatures specified at the initiation of test.

■ ELECTRICAL CHARACTERISTICS (T<sub>J</sub>=25°C, P<sub>D</sub>≦15W, unless otherwise specified)

**For 78D33A** (V<sub>IN</sub> = 5.8V, I<sub>OUT</sub> = 0.5A, C1 = 0.33μF, C0 = 0.1μF)

PARAMETER	SYMBOL	TEST CONDITIONS	MIN	TYP	MAX	UNIT
Output Voltage	V <sub>OUT</sub>	I <sub>OUT</sub> = 5mA ~ 1.0A	3.168	3.30	3.432	V
		V <sub>IN</sub> = 5.8~18.3V, I <sub>OUT</sub> = 5mA~1.0A	3.135		3.465	V
Load Regulation	ΔV <sub>OUT</sub>	I <sub>OUT</sub> = 5mA~1.0A			33	mV
		I <sub>OUT</sub> = 0.25A~0.75A			17	mV
Line Regulation	ΔV <sub>OUT</sub>	V <sub>IN</sub> = 5.8~18.3V			33	mV
		V <sub>IN</sub> = 5.8~18.3V, I <sub>OUT</sub> = 1.0A			33	mV
Quiescent Current	I <sub>Q</sub>	I <sub>OUT</sub> ≦ 1.0A			8.0	mA
Quiescent Current Change	ΔI <sub>Q</sub>	V <sub>IN</sub> = 5.8~18.3V			1.0	mA
		I <sub>OUT</sub> = 5mA~1.0A			0.5	mA
Output Noise Voltage	eN	10Hz ≦ f ≦ 100kHz		55		μV
Temperature coefficient of V <sub>OUT</sub>	ΔV <sub>OUT</sub> /ΔT	I <sub>OUT</sub> = 5mA		-0.4		mV/°C
Ripple Rejection	RR	V <sub>IN</sub> = 6.3~16.3V, f = 120Hz		57		dB
Peak Output Current	I <sub>PEAK</sub>			1.8		A
Short-Circuit Current	I <sub>SC</sub>	V <sub>IN</sub> = 35V		250		mA
Dropout Voltage	V <sub>D</sub>			2.0		V

**For 78D47A** (V<sub>IN</sub> = 9.7V, I<sub>OUT</sub> = 0.5A, C1 = 0.33μF, C0 = 0.1μF)

PARAMETER	SYMBOL	TEST CONDITIONS	MIN	TYP	MAX	UNIT
Output Voltage	V <sub>OUT</sub>	I <sub>OUT</sub> = 5mA~1.0A	4.512	4.70	4.888	V
		V <sub>IN</sub> = 5.8~18.3V, I <sub>OUT</sub> = 5mA~1.0A	4.465		4.935	V
Load Regulation	ΔV <sub>OUT</sub>	I <sub>OUT</sub> = 5mA~1.0A			47	mV
		I <sub>OUT</sub> = 0.25A~0.75A			24	mV
Line Regulation	ΔV <sub>OUT</sub>	V <sub>IN</sub> = 5.8~18.3V			47	mV
		V <sub>IN</sub> = 5.8~18.3V, I <sub>OUT</sub> = 1.0A			47	mV
Quiescent Current	I <sub>Q</sub>	I <sub>OUT</sub> ≦ 1.0A			8.0	mA
Quiescent Current Change	ΔI <sub>Q</sub>	V <sub>IN</sub> = 5.8~18.3V			1.0	mA
		I <sub>OUT</sub> = 5mA~1.0A			0.5	mA
Output Noise Voltage	eN	10Hz ≦ f ≦ 100kHz		40		μV
Temperature coefficient of V <sub>OUT</sub>	ΔV <sub>OUT</sub> /ΔT	I <sub>OUT</sub> = 5mA		-0.6		mV/°C
Ripple Rejection	RR	V <sub>IN</sub> = 6.3~16.3V, f = 120Hz	62	80		dB
Peak Output Current	I <sub>PEAK</sub>			1.8		A
Short-Circuit Current	I <sub>SC</sub>	V <sub>IN</sub> = 35V		250		mA
Dropout Voltage	V <sub>D</sub>			2.0		V

## ■ ELECTRICAL CHARACTERISTICS(Cont.)

**For 78D05A** ( $V_{IN}=10V$ ,  $I_{OUT}=0.5A$ ,  $C1=0.33\mu F$ ,  $C0=0.1\mu F$ )

PARAMETER	SYMBOL	TEST CONDITIONS	MIN	TYP	MAX	UNIT
Output Voltage	$V_{OUT}$	$I_{OUT}=5mA\sim 1.0A$	4.80	5.0	5.20	V
		$V_{IN}=7.5\sim 20V$ , $I_{OUT}=5mA\sim 1.0A$	4.75		5.25	V
Load Regulation	$\Delta V_{OUT}$	$I_{OUT}=5mA\sim 1.0A$			50	mV
		$I_{OUT}=0.25A\sim 0.75A$			25	mV
Line Regulation	$\Delta V_{OUT}$	$V_{IN}=7\sim 25V$			50	mV
		$V_{IN}=7.5\sim 20V$ , $I_{OUT}=1.0A$			50	mV
Quiescent Current	$I_Q$	$I_{OUT}\leq 1.0A$			8.0	mA
Quiescent Current Change	$\Delta I_Q$	$V_{IN}=7.5\sim 20V$			1.0	mA
		$I_{OUT}=5mA\sim 1.0A$			0.5	mA
Output Noise Voltage	eN	$10Hz\leq f\leq 100kHz$		40		$\mu V$
Temperature coefficient of $V_{OUT}$	$\Delta V_{OUT}/\Delta T$	$I_{OUT}=5mA$		-0.6		mV/ $^{\circ}C$
Ripple Rejection	RR	$V_{IN}=8\sim 18V$ , $f=120Hz$	62	80		dB
Peak Output Current	$I_{PEAK}$			1.8		A
Short-Circuit Current	$I_{SC}$	$V_{IN}=35V$		250		mA
Dropout Voltage	$V_D$			2.0		V

**For 78D06A** ( $V_{IN}=11V$ ,  $I_{OUT}=0.5A$ ,  $C1=0.33\mu F$ ,  $C0=0.1\mu F$ )

PARAMETER	SYMBOL	TEST CONDITIONS	MIN	TYP	MAX	UNIT
Output Voltage	$V_{OUT}$	$I_{OUT}=5mA\sim 1.0A$	5.76	6.0	6.24	V
		$V_{IN}=8.5\sim 21V$ , $I_{OUT}=5mA\sim 1.0A$	5.7		6.3	V
Load Regulation	$\Delta V_{OUT}$	$I_{OUT}=5mA\sim 1.0A$			60	mV
		$I_{OUT}=0.25A\sim 0.75A$			30	mV
Line Regulation	$\Delta V_{OUT}$	$V_{IN}=8\sim 25V$			60	mV
		$V_{IN}=8.5\sim 21V$ , $I_{OUT}=1.0A$			60	mV
Quiescent Current	$I_Q$	$I_{OUT}\leq 1.0A$			8.0	mA
Quiescent Current Change	$\Delta I_Q$	$V_{IN}=8.5\sim 21V$			1.0	mA
		$I_{OUT}=5mA\sim 1.0A$			0.5	mA
Output Noise Voltage	eN	$10Hz\leq f\leq 100kHz$		45		$\mu V$
Temperature coefficient of $V_{OUT}$	$\Delta V_{OUT}/\Delta T$	$I_{OUT}=5mA$		-0.7		mV/ $^{\circ}C$
Ripple Rejection	RR	$V_{IN}=9\sim 19V$ , $f=120Hz$	59	75		dB
Peak Output Current	$I_{PEAK}$			1.8		A
Short-Circuit Current	$I_{SC}$	$V_{IN}=35V$		250		mA
Dropout Voltage	$V_D$			2.0		V

**For 78D07A** ( $V_{IN}=13V$ ,  $I_{OUT}=0.5A$ ,  $C1=0.33\mu F$ ,  $C0=0.1\mu F$ )

PARAMETER	SYMBOL	TEST CONDITIONS	MIN	TYP	MAX	UNIT
Output Voltage	$V_{OUT}$	$I_{OUT}=5mA\sim 1.0A$	6.72	7.0	7.28	V
		$V_{IN}=9.5\sim 22V$ , $I_{OUT}=5mA\sim 1.0A$	6.65		7.35	V
Load Regulation	$\Delta V_{OUT}$	$I_{OUT}=5mA\sim 1.0A$			70	mV
		$I_{OUT}=0.25A\sim 0.75A$			35	mV
Line Regulation	$\Delta V_{OUT}$	$V_{IN}=9\sim 25V$			70	mV
		$V_{IN}=9.5\sim 22V$ , $I_{OUT}=1.0A$			70	mV
Quiescent Current	$I_Q$	$I_{OUT}\leq 1.0A$			8.0	mA
Quiescent Current Change	$\Delta I_Q$	$V_{IN}=9.5\sim 22V$			1.0	mA
		$I_{OUT}=5mA\sim 1.0A$			0.5	mA
Output Noise Voltage	eN	$10Hz\leq f\leq 100kHz$		50		$\mu V$
Temperature coefficient of $V_{OUT}$	$\Delta V_{OUT}/\Delta T$	$I_{OUT}=5mA$		-0.8		mV/ $^{\circ}C$
Ripple Rejection	RR	$V_{IN}=10\sim 20V$ , $f=120Hz$	59	75		dB
Peak Output Current	$I_{PEAK}$			1.7		A
Short-Circuit Current	$I_{SC}$	$V_{IN}=35V$		250		mA
Dropout Voltage	$V_D$			2.0		V

## ■ ELECTRICAL CHARACTERISTICS(Cont.)

**For 78D08A** ( $V_{IN}=14V$ ,  $I_{OUT}=0.5A$ ,  $C1=0.33\mu F$ ,  $C0=0.1\mu F$ )

PARAMETER	SYMBOL	TEST CONDITIONS	MIN	TYP	MAX	UNIT
Output Voltage	$V_{OUT}$	$I_{OUT}=5mA\sim 1.0A$	7.68	8.0	8.32	V
		$V_{IN}=10.5\sim 23V$ , $I_{OUT}=5mA\sim 1.0A$	7.6		8.4	V
Load Regulation	$\Delta V_{OUT}$	$I_{OUT}=5mA\sim 1.0A$			80	mV
		$I_{OUT}=0.25A\sim 0.75A$			40	mV
Line Regulation	$\Delta V_{OUT}$	$V_{IN}=10.5\sim 25V$			80	mV
		$V_{IN}=10.5\sim 23V$ , $I_{OUT}=1.0A$			80	mV
Quiescent Current	$I_Q$	$I_{OUT}\leq 1.0A$			8.0	mA
Quiescent Current Change	$\Delta I_Q$	$V_{IN}=10.5\sim 23V$			1.0	mA
		$I_{OUT}=5mA\sim 1.0A$			0.5	mA
Output Noise Voltage	eN	$10Hz\leq f\leq 100kHz$		58		$\mu V$
Temperature coefficient of $V_{OUT}$	$\Delta V_{OUT}/\Delta T$	$I_{OUT}=5mA$		-0.9		mV/ $^{\circ}C$
Ripple Rejection	RR	$V_{IN}=11.5\sim 21.5V$ , $f=120Hz$	56	72		dB
Peak Output Current	$I_{PEAK}$			1.8		A
Short-Circuit Current	$I_{SC}$	$V_{IN}=35V$		250		mA
Dropout Voltage	$V_D$			2.0		V

**For 78D09A** ( $V_{IN}=15V$ ,  $I_{OUT}=0.5A$ ,  $C1=0.33\mu F$ ,  $C0=0.1\mu F$ )

PARAMETER	SYMBOL	TEST CONDITIONS	MIN	TYP	MAX	UNIT
Output Voltage	$V_{OUT}$	$I_{OUT}=5mA\sim 1.0A$	7.68	8.0	8.32	V
		$V_{IN}=11.5\sim 24V$ , $I_{OUT}=5mA\sim 1.0A$	7.6		8.4	V
Load Regulation	$\Delta V_{OUT}$	$I_{OUT}=5mA\sim 1.0A$			80	mV
		$I_{OUT}=0.25A\sim 0.75A$			40	mV
Line Regulation	$\Delta V_{OUT}$	$V_{IN}=11.5\sim 25V$			80	mV
		$V_{IN}=11.5\sim 24V$ , $I_{OUT}=1.0A$			80	mV
Quiescent Current	$I_Q$	$I_{OUT}\leq 1.0A$			8.0	mA
Quiescent Current Change	$\Delta I_Q$	$V_{IN}=11.5\sim 24V$			1.0	mA
		$I_{OUT}=5mA\sim 1.0A$			0.5	mA
Output Noise Voltage	eN	$10Hz\leq f\leq 100kHz$		58		$\mu V$
Temperature coefficient of $V_{OUT}$	$\Delta V_{OUT}/\Delta T$	$I_{OUT}=5mA$		-0.9		mV/ $^{\circ}C$
Ripple Rejection	RR	$V_{IN}=12.5\sim 22.5V$ , $f=120Hz$	56	72		dB
Peak Output Current	$I_{PEAK}$			1.8		A
Short-Circuit Current	$I_{SC}$	$V_{IN}=35V$		250		mA
Dropout Voltage	$V_D$			2.0		V

**For 78D10A** ( $V_{IN}=16V$ ,  $I_{OUT}=0.5A$ ,  $C1=0.33\mu F$ ,  $C0=0.1\mu F$ )

PARAMETER	SYMBOL	TEST CONDITIONS	MIN	TYP	MAX	UNIT
Output Voltage	$V_{OUT}$	$I_{OUT}=5mA\sim 1.0A$	9.60	10.0	10.40	V
		$V_{IN}=12.5\sim 25V$ , $I_{OUT}=5mA\sim 1.0A$	9.5		10.5	V
Load Regulation	$\Delta V_{OUT}$	$I_{OUT}=5mA\sim 1.0A$			100	mV
		$I_{OUT}=0.25A\sim 0.75A$			50	mV
Line Regulation	$\Delta V_{OUT}$	$V_{IN}=13\sim 25V$			100	mV
		$V_{IN}=13\sim 25V$ , $I_{OUT}=1.0A$			100	mV
Quiescent Current	$I_Q$	$I_{OUT}\leq 1.0A$			8.0	mA
Quiescent Current Change	$\Delta I_Q$	$V_{IN}=12.6V\sim 25V$			1.0	mA
		$I_{OUT}=5mA\sim 1.0A$			0.5	mA
Output Noise Voltage	eN	$10Hz\leq f\leq 100kHz$		58		$\mu V$
Temperature coefficient of $V_{OUT}$	$\Delta V_{OUT}/\Delta T$	$I_{OUT}=5mA$		-1.1		mV/ $^{\circ}C$
Ripple Rejection	RR	$V_{IN}=13\sim 23V$ , $f=120Hz$	56	72		dB
Peak Output Current	$I_{PEAK}$			1.8		A
Short-Circuit Current	$I_{SC}$	$V_{IN}=35V$		250		mA
Dropout Voltage	$V_D$			2.0		V

■ ELECTRICAL CHARACTERISTICS(Cont.)

**For 78D12A** ( $V_{IN}=19V$ ,  $I_{OUT}=0.5A$ ,  $C1=0.33\mu F$ ,  $C0=0.1\mu F$ )

PARAMETER	SYMBOL	TEST CONDITIONS	MIN	TYP	MAX	UNIT
Output Voltage	$V_{OUT}$	$I_{OUT}=5mA\sim 1.0A$	11.52	12.0	12.48	V
		$V_{IN}=14.5\sim 27V$ , $I_{OUT}=5mA\sim 1.0A$	11.4		12.6	V
Load Regulation	$\Delta V_{OUT}$	$I_{OUT}=5mA\sim 1.0A$			120	mV
		$I_{OUT}=0.25A\sim 0.75A$			60	mV
Line Regulation	$\Delta V_{OUT}$	$V_{IN}=14.5\sim 30V$			120	mV
		$V_{IN}=14.6\sim 27V$ , $I_{OUT}=1.0A$			120	mV
Quiescent Current	$I_Q$	$I_{OUT}\leq 1.0A$			8.0	mA
Quiescent Current Change	$\Delta I_Q$	$V_{IN}=12.6\sim 25V$			1.0	mA
		$I_{OUT}=5mA\sim 1.0A$			0.5	mA
Output Noise Voltage	eN	$10Hz\leq f\leq 100kHz$		75		$\mu V$
Temperature coefficient of $V_{OUT}$	$\Delta V_{OUT}/\Delta T$	$I_{OUT}=5mA$		-1.5		$mV/^\circ C$
Ripple Rejection	RR	$V_{IN}=15\sim 25V$ , $f=120Hz$	55	72		dB
Peak Output Current	$I_{PEAK}$			1.8		A
Short-Circuit Current	$I_{SC}$	$V_{IN}=35V$		250		mA
Dropout Voltage	$V_D$			2.0		V

**For 78D15A** ( $V_{IN}=23V$ ,  $I_{OUT}=0.5A$ ,  $C1=0.33\mu F$ ,  $C0=0.1\mu F$ )

PARAMETER	SYMBOL	TEST CONDITIONS	MIN	TYP	MAX	UNIT
Output Voltage	$V_{OUT}$	$I_{OUT}=5mA\sim 1.0A$	11.52	12.0	12.48	V
		$V_{IN}=17.5\sim 30V$ , $I_{OUT}=5mA\sim 1.0A$	11.4		12.6	V
Load Regulation	$\Delta V_{OUT}$	$I_{OUT}=5mA\sim 1.0A$			120	mV
		$I_{OUT}=0.25A\sim 0.75A$			60	mV
Line Regulation	$\Delta V_{OUT}$	$V_{IN}=18.5\sim 30V$			120	mV
		$V_{IN}=17.7\sim 30V$ , $I_{OUT}=1.0A$			120	mV
Quiescent Current	$I_Q$	$I_{OUT}\leq 1.0A$			8.0	mA
Quiescent Current Change	$\Delta I_Q$	$V_{IN}=17.5\sim 30V$			1.0	mA
		$I_{OUT}=5mA\sim 1.0A$			0.5	mA
Output Noise Voltage	eN	$10Hz\leq f\leq 100kHz$		75		$\mu V$
Temperature coefficient of $V_{OUT}$	$\Delta V_{OUT}/\Delta T$	$I_{OUT}=5mA$		-1.5		$mV/^\circ C$
Ripple Rejection	RR	$V_{IN}=18.5\sim 28.5V$ , $f=120Hz$	55	72		dB
Peak Output Current	$I_{PEAK}$			1.8		A
Short-Circuit Current	$I_{SC}$	$V_{IN}=35V$		250		mA
Dropout Voltage	$V_D$			2.0		V

**For 78D18A** ( $V_{IN}=27V$ ,  $I_{OUT}=0.5A$ ,  $C1=0.33\mu F$ ,  $C0=0.1\mu F$ )

PARAMETER	SYMBOL	TEST CONDITIONS	MIN	TYP	MAX	UNIT
Output Voltage	$V_{OUT}$	$I_{OUT}=5mA\sim 1.0A$	17.28	18.0	18.72	V
		$V_{IN}=21\sim 33V$ , $I_{OUT}=5mA\sim 1.0A$	17.1		18.9	V
Load Regulation	$\Delta V_{OUT}$	$I_{OUT}=5mA\sim 1.0A$			180	mV
		$I_{OUT}=0.25A\sim 0.75A$			90	mV
Line Regulation	$\Delta V_{OUT}$	$V_{IN}=21\sim 33V$			180	mV
		$V_{IN}=21\sim 33V$ , $I_{OUT}=1.0A$			180	mV
Quiescent Current	$I_Q$	$I_{OUT}\leq 1.0A$			8.0	mA
Quiescent Current Change	$\Delta I_Q$	$V_{IN}=21.5\sim 33V$			1.0	mA
		$I_{OUT}=5mA\sim 1.0A$			0.5	mA
Output Noise Voltage	eN	$10Hz\leq f\leq 100kHz$		110		$\mu V$
Temperature coefficient of $V_{OUT}$	$\Delta V_{OUT}/\Delta T$	$I_{OUT}=5mA$		-2.2		$mV/^\circ C$
Ripple Rejection	RR	$V_{IN}=22\sim 32V$ , $f=120Hz$	53	69		dB
Peak Output Current	$I_{PEAK}$			1.8		A
Short-Circuit Current	$I_{SC}$	$V_{IN}=35V$		250		mA
Dropout Voltage	$V_D$			2.0		V

■ ELECTRICAL CHARACTERISTICS(Cont.)

For 78D24A ( $V_{IN}=33V$ ,  $I_{OUT}=0.5A$ ,  $C1=0.33\mu F$ ,  $C0=0.1\mu F$ )

PARAMETER	SYMBOL	TEST CONDITIONS	MIN	TYP	MAX	UNIT
Output Voltage	$V_{OUT}$	$I_{OUT}=5mA\sim 1.0A$	23.04	24.0	24.96	V
		$V_{IN}=27\sim 38V$ , $I_{OUT}=5mA\sim 1.0A$	22.8		25.2	V
Load Regulation	$\Delta V_{OUT}$	$I_{OUT}=5mA\sim 1.0A$			240	mV
		$I_{OUT}=0.25A\sim 0.75A$			120	mV
Line Regulation	$\Delta V_{OUT}$	$V_{IN}=27\sim 38V$			240	mV
		$V_{IN}=27\sim 38V$ , $I_{OUT}=1.0A$			240	mV
Quiescent Current	$I_Q$	$I_{OUT}\leq 1.0A$			8.0	mA
Quiescent Current Change	$\Delta I_Q$	$V_{IN}=28\sim 38V$			1.0	mA
		$I_{OUT}=5mA\sim 1.0A$			0.5	mA
Output Noise Voltage	eN	$10Hz\leq f\leq 100kHz$		170		$\mu V$
Temperature coefficient of $V_{OUT}$	$\Delta V_{OUT}/\Delta T$	$I_{OUT}=5mA$		-2.8		mV/ $^{\circ}C$
Ripple Rejection	RR	$V_{IN}=28\sim 38V$ , $f=120Hz$	50	66		dB
Peak Output Current	$I_{PEAK}$			1.8		A
Short-Circuit Current	$I_{SC}$	$V_{IN}=35V$		250		mA
Dropout Voltage	$V_D$			2.0		V

UTC assumes no responsibility for equipment failures that result from using products at values that exceed, even momentarily, rated values (such as maximum ratings, operating condition ranges, or other parameters) listed in products specifications of any and all UTC products described or contained herein. UTC products are not designed for use in life support appliances, devices or systems where malfunction of these products can be reasonably expected to result in personal injury. Reproduction in whole or in part is prohibited without the prior written consent of the copyright owner. The information presented in this document does not form part of any quotation or contract, is believed to be accurate and reliable and may be changed without notice.