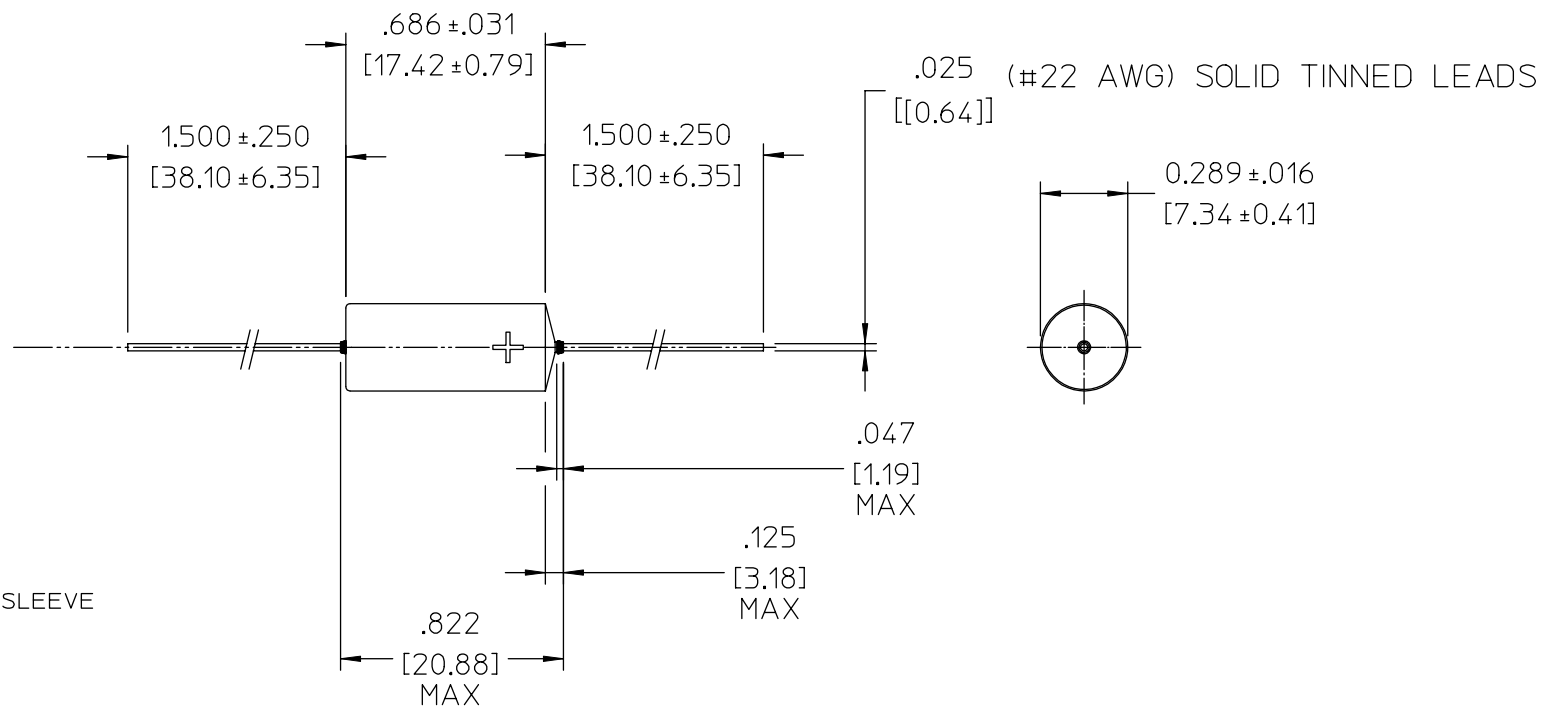


**VICOR CONFIDENTIAL**

THIS DOCUMENT AND THE DATA DISCLOSED HEREIN OR HEREWITH IS NOT TO BE REPRODUCED, USED, OR DISCLOSED IN WHOLE OR IN PART TO ANYONE WITHOUT PERMISSION OF VICOR CORP.

REV.	DESCRIPTION	DATE	APPROVED
#1	DRAWN FOR DEVELOPMENT	GCK 8/6/01	CF
#2	REVISED PER MARK-UP	GCK 03/11/03	CF



- NOTES:
1. MATERIAL: SOLID TANTALUM
  2. CASE: METAL, WITH INSULATING SLEEVE
  3. INCH/[METRIC] DIMENSIONING.

ELECTRICAL CHARACTERISTICS @ T=25°C (UNLESS OTHERWISE SPECIFIED)

PARAMETER	SYMBOL	MIN	TYP	MAX	UNITS	TEST CONDITIONS
CAPACITANCE	C	24.3		29.70	uF	@ 120 Hz, .5 Vrms
LEAKAGE CURRENT	I <sub>DCL</sub>			8	uA	@ V <sub>DCW</sub>
EQUIVALENT SERIES RESISTANCE	ESR		210		mΩ	@ 100 KHz 1VRMS
WORKING VOLTAGE	V <sub>DCW</sub>	50			V	
DISSIPATION FACTOR	D			6	%	@ 120 Hz 1VRMS
OPERATING TEMPERATURE		-55°C TO +125°C				WITH PROPER VOLTAGE DERATING

MARKING:

1. VENDOR
2. DATE CODE
3. MFD/TOL/VDC

DRAWN BY <b>G. C. KEAY</b>	DATE <b>8/6/01</b>				
<small>UNLESS OTHERWISE SPECIFIED DIMENSIONS ARE IN INCHES- TOLERANCES ARE: FRACTIONS DECIMALS ANGLES ±1/64 .XX= .01 ±1° .XXX= .005</small>					
<small>THIRD ANGLE PROJECTION</small> 		<b>CAP, SOLID TANTALUM,</b> <b>27 uF, ±20%, 50V</b>			
		SIZE <b>B</b>	FSCM NO. <b>67131</b>	DWG NO <b>24255</b>	REV <b>#2</b>
DO NOT SCALE DRAWING		SCALE 2:1	SHEET 1 OF 1		