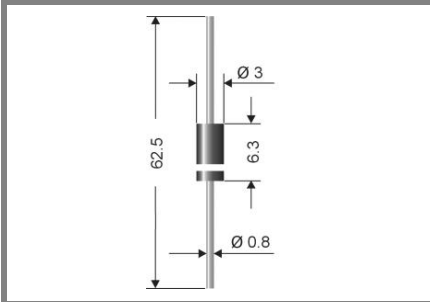


1N 5817...1N 5819



Axial lead diode

Schottky barrier rectifiers diodes

1N 5817...1N 5819

Forward Current: 1 A

Reverse Voltage: 20 to 40 V

Features

- Max. solder temperature: 260°C
- Plastic material has UL classification 94V-0

Mechanical Data

- Plastic case DO-15 / DO-204AC
- Weight approx.: 0,4 g
- Terminals: plated terminals solderable per MIL-STD-750
- Mounting position: any
- Standard packaging: 4000 pieces per ammo

1) Valid, if leads are kept at ambient temperature at a distance of 10 mm from case

2) $I_F = 3 \text{ A}$, $T_j = 25 \text{ °C}$

3) $T_A = 25 \text{ °C}$

Type	Repetitive peak reverse voltage V_{RRM} V	Surge peak reverse voltage V_{RSM} V	Max. reverse recovery time $I_F = -A$ $I_R = -A$ $I_{RR} = -A$ t_{rr} ns	Max. forward voltage $V_F^{2)}$
1N 5817	20	20	-	0,750
1N 5818	30	30	-	0,875
1N 5819	40	40	-	0,900

Absolute Maximum Ratings		$T_c = 25 \text{ °C}$, unless otherwise specified	
Symbol	Conditions	Values	Units
I_{FAV}	Max. averaged fwd. current, R-load, $T_A = 50 \text{ °C}^1)$	1	A
I_{FRM}	Repetitive peak forward current $f > 15 \text{ Hz}^1)$	10	A
I_{FSM}	Peak forward surge current 50 Hz half sinus-wave $^3)$	40	A
i^2t	Rating for fusing, $t < 10 \text{ ms}^3)$	8	A ² s
R_{thA}	Max. thermal resistance junction to ambient $^1)$	45	K/W
R_{thT}	Max. thermal resistance junction to terminals $^1)$	15	K/W
T_j	Operating junction temperature	-50...+150	°C
T_s	Storage temperature	-50...+175	°C

Characteristics		$T_c = 25 \text{ °C}$, unless otherwise specified	
Symbol	Conditions	Values	Units
I_R	Maximum leakage current, $T_j = 25 \text{ °C}$; $V_R = V_{RRM}$	<1	mA
	$T_j = 100 \text{ °C}$; $V_R = V_{RRM}$	<10	mA
C_j	Typical junction capacitance (at MHz and applied reverse voltage of V)	-	pF
Q_{rr}	Reverse recovery charge ($U_R = V$; $I_F = A$; $dI_F/dt = A/ms$)	-	μC
E_{RSM}	Non repetitive peak reverse avalanche energy ($I_R = mA$; $T_j = \text{°C}$; inductive load switched off)	-	mJ

