

Part Number: WP76761CSURC

HYPER RED

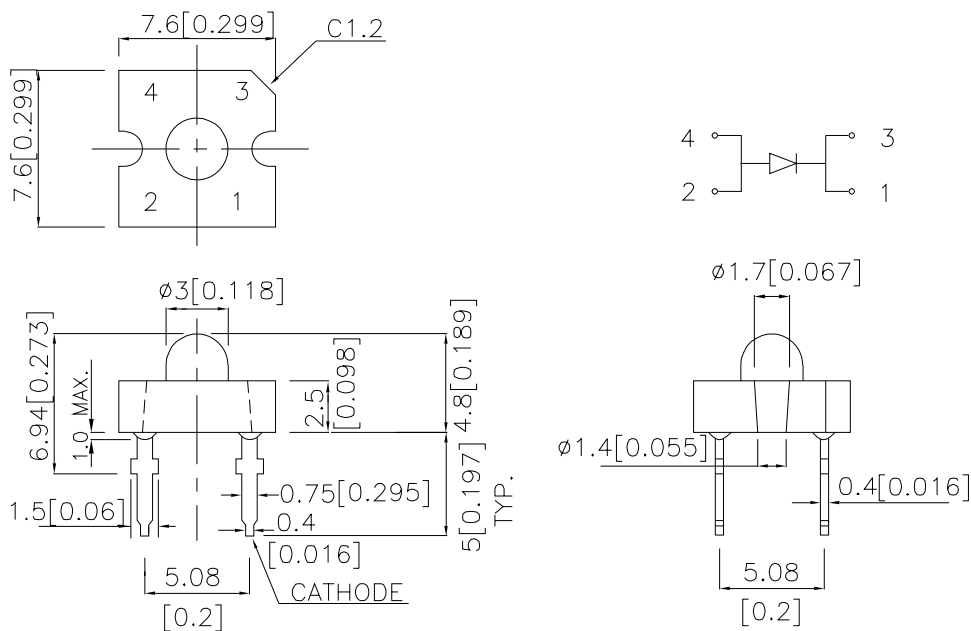
Features

- SUPER FLUX OUTPUT.
- DESIGN FOR HIGH CURRENT OPERATION.
- OUTSTANDING MATERIAL EFFICIENCY.
- RELIABLE AND RUGGED.
- RoHS COMPLIANT.

Description

The Hyper Red source color devices are made with DH InGaAlP on GaAs substrate Light Emitting Diode.

Package Dimensions



Notes:

1. All dimensions are in millimeters (inches).
2. Tolerance is $\pm 0.25(0.01")$ unless otherwise noted.
3. Lead spacing is measured where the leads emerge from the package.
4. Specifications are subject to change without notice.

Selection Guide

Part No.	Dice	Lens Type	Iv (mcd) [2] @ 20mA *70mA		Viewing Angle [1]
			Min.	Typ.	2 θ 1/2
WP76761CSURC	HYPER RED (InGaAlP)	WATER CLEAR	900	2000	20°
			*3300	*7000	

Notes:

- θ1/2 is the angle from optical centerline where the luminous intensity is 1/2 the optical centerline value.
- * Luminous intensity with asterisk is measured at 70mA under 40ms pulse width; Luminous intensity / luminous flux: +/-15%.
- Drive current between 10mA and 30mA are recommended for long term performance.
- Operation at current below 10mA is not recommended.

Electrical / Optical Characteristics at TA=25°C

Symbol	Parameter	Device	Min.	Typ.	Max.	Units	Test Conditions
λ _{peak}	Peak Wavelength	Hyper Red		640		nm	I _F =20mA
λ _D [1]	Dominant Wavelength	Hyper Red		628		nm	I _F =20mA
Δλ _{1/2}	Spectral Line Half-width	Hyper Red		27		nm	I _F =20mA
C	Capacitance	Hyper Red		45		pF	V _F =0V;f=1MHz
V _F [2]	Forward Voltage	Hyper Red	1.6		1.8	V	I _F =20mA
			1.8		2.0		
			2.0		2.2		
			2.2		2.4		
			2.4		2.6		
I _R	Reverse Current	Hyper Red			10	uA	V _R = 5V

Notes:

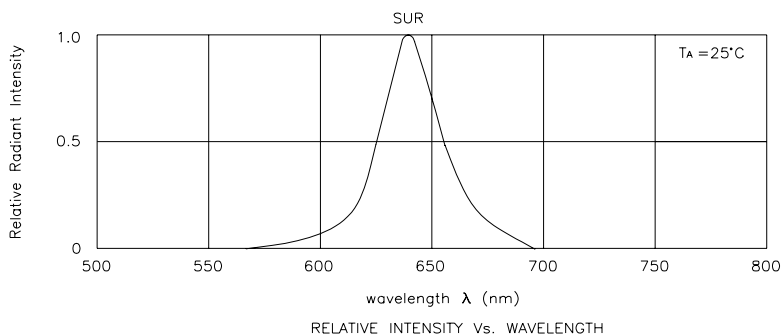
- Wavelength: +/-1nm.
- Forward Voltage: +/-0.1V.

Absolute Maximum Ratings at TA=25°C

Parameter	Hyper Red	Units
Power dissipation	75	mW
DC Forward Current	30	mA
Peak Forward Current [1]	185	mA
Reverse Voltage	5	V
Operating / Storage Temperature	-40°C To +85°C	
Lead Solder Temperature [2]	260°C For 3 Seconds	
Lead Solder Temperature [3]	260°C For 5 Seconds	

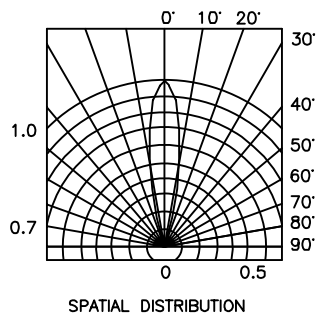
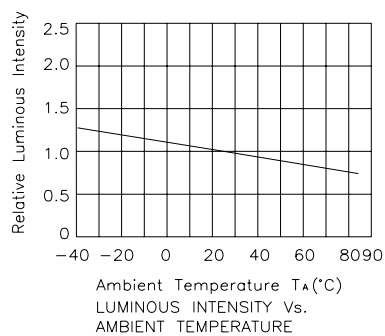
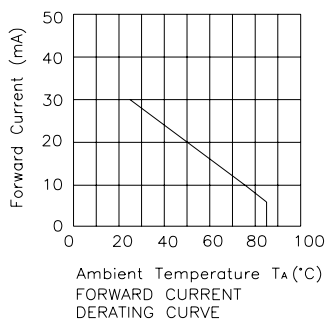
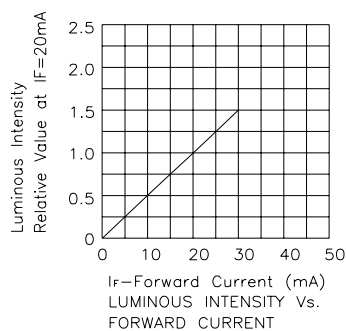
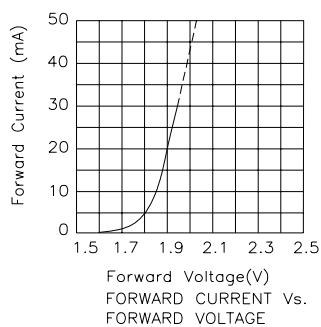
Notes:

- 1/10 Duty Cycle, 0.1ms Pulse Width.
- 2mm below package base.
- 5mm below package base.



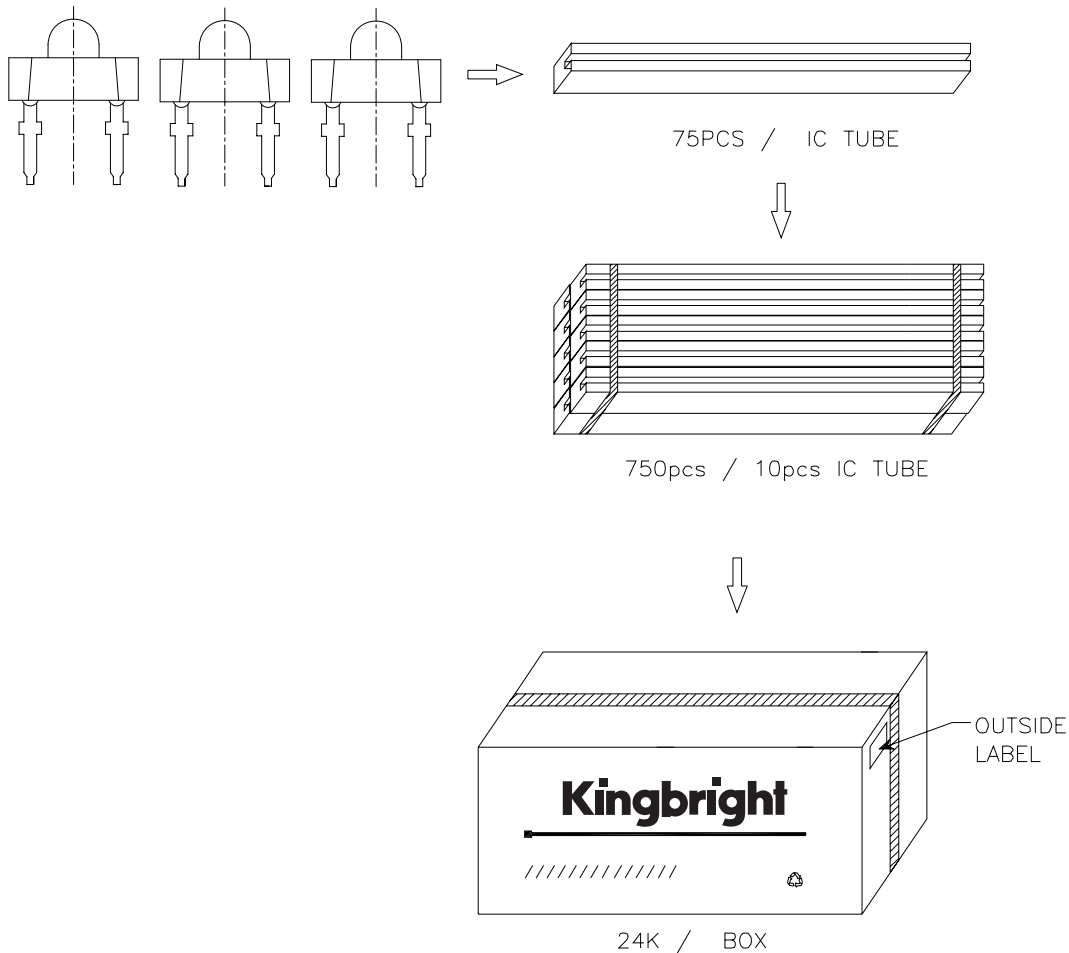
Hyper Red


WP76761CSURC



PACKING & LABEL SPECIFICATIONS

WP76761CSURC



Kingbright				
Q.C.	<table border="1"> <tr> <td style="text-align: center;">QC</td> </tr> <tr> <td style="text-align: center;">xxx xx xxxx</td> </tr> <tr> <td style="text-align: center;">PASSED</td> </tr> </table>	QC	xxx xx xxxx	PASSED
QC				
xxx xx xxxx				
PASSED				
TYPE NO : WP7676C1xxx				
QUANTITY : 750 pcs				
S/N : XXX	CODE: XX			
LOT NO : 				
RoHS Compliant				