

Features

- ▄▄▄▄ 4-poles in one package
- ▄▄▄▄ Frequencies 21.4MHz ~ 90.0MHz available
- ▄▄▄▄ Custom specifications available
- ▄▄▄▄ Miniature SM package

Ordering Information

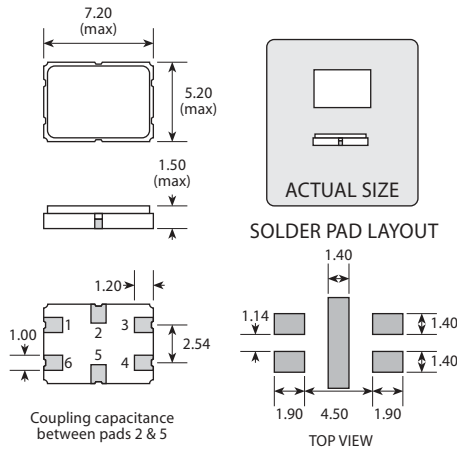
Product name + model number

eg: **GSF-75 45S15B**

GSF-75 45S30B

Option code X (eg GSF-75/X) denotes a custom spec.

- ◆ Available on T&R - 1k pcs per reel.
- ◆ Refer to our website for T&R and soldering details.



PAD	CONNECTION
1	Ground
2	Connect with pad 5
3	In / Out
4	Ground
5	Connect with pad 2
6	Out / In

Scale 2:1

Standard Specifications

Model Number	Centre Frequency (MHz)	Number of Poles	Pass Band (dB @ kHz)	Attenuation Band (dB @ kHz)	In-Band Ripple (dB)	Insertion Loss (dB)	Guaranteed Attenuation (dB @ kHz)	Termination (Ω // pF)	Operating Temperature Range ($^{\circ}$ C)	No of Units
45S15B	45.000	4	3 \pm 7.5	25 \pm 22.0	1.0	3.0	80 -910 \pm 10	800 // 1.7, 8.0	-20 to +60	1
45S20B	45.000	4	3 \pm 10.0	25 \pm 25.0	1.0	3.0	80 -910 \pm 10	800 // 1.7, 7.0	-20 to +60	1
45S30B	45.000	4	3 \pm 15.0	35 \pm 50.0	1.0	3.0	80 -910 \pm 10	800 // 1.7, 6.0	-20 to +60	1