

# Eurosocket

.100" × .100" Version, Type B (Rows A & B Filled)

62B64 Series



- DIN 41612 compatible
- High density (64 position)
- Mates with DIN 41612 Type B headers
- High reliability contact design
- Can be daisy-chained or end terminated to flat cable
- Optional strain relief with handle
- Available with or without mounting flanges

Date Modified: February 19, 1999

TS-0585-02  
Sheet 1 of 3

127

---

## Physical

### Insulation

Material: Glass Filled Polyester (PBT)  
Flammability: UL 94V-0  
Color: Gray

### Contact

Material: Copper Alloy  
Plating  
Underplate: 50  $\mu$ " [ 1.27  $\mu$ m ] Nickel — QQ-N-290, Class 2  
Wiping Area: 20  $\mu$ " [ 0.50  $\mu$ m ] Gold — MIL-G-45204, Type II, Grade C  
(For additional options see Ordering Information)

**Marking:** 3M Logo, Part Identification & Contact Position Numbers

**Wire Accommodation:** Stranded or Solid: 26 & 28 AWG, Solid: 30 AWG

---

## Electrical

**Current Rating:** 1 A

**Insulation Resistance:**  $>1 \times 10^9 \Omega$  at 500 Vdc

**Withstanding Voltage:** 1000 Vrms at Sea Level

---

## Environmental

**Temperature Rating:**  $-55^\circ\text{C}$  to  $+125^\circ\text{C}$

UL File No.: E68080

---

### 3M Interconnect Solutions Division

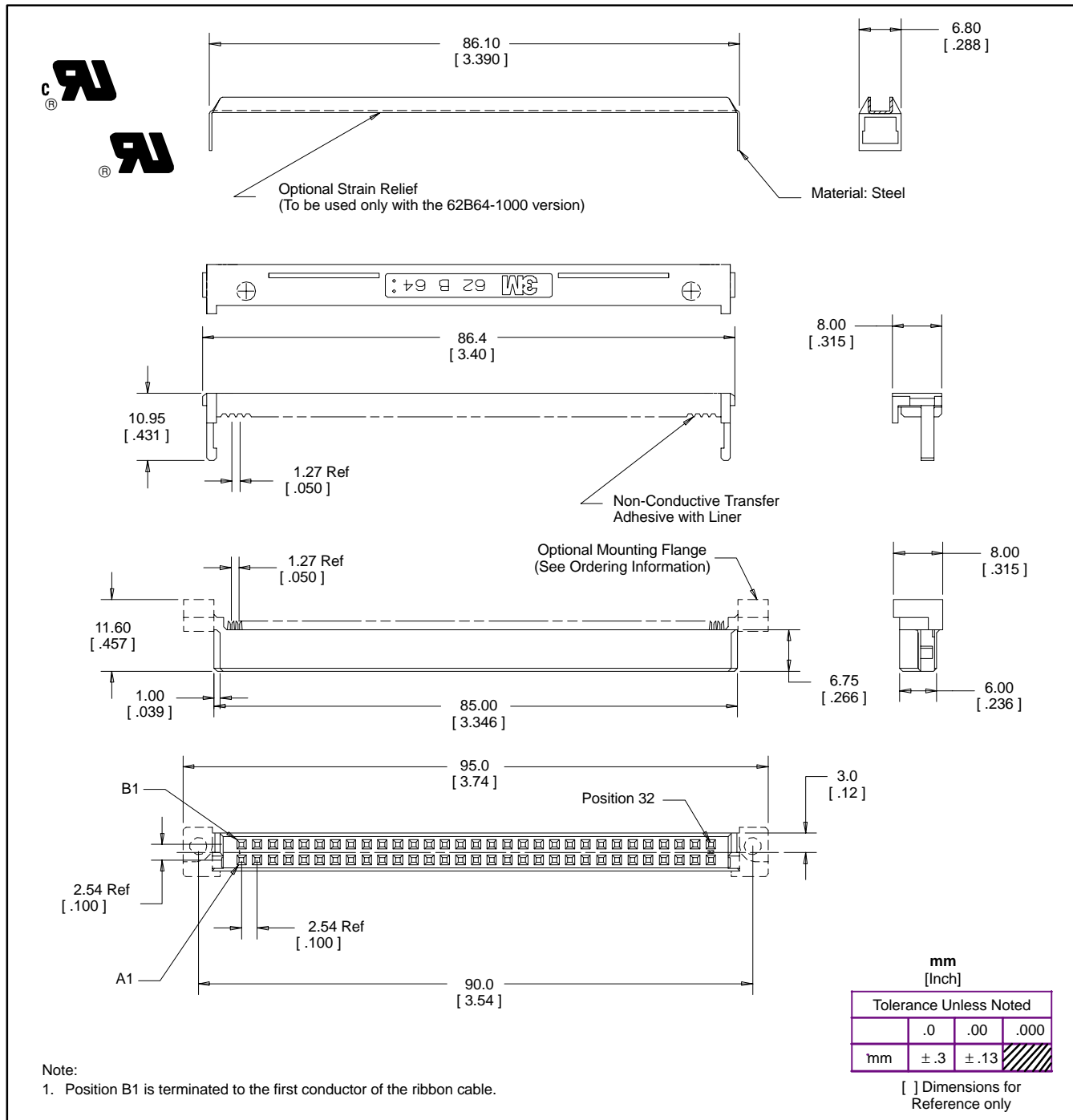
6801 River Place Blvd.  
Austin, TX 78726-9000

For technical, sales or ordering information call  
**800-225-5373**

# Eurosocket

.100" × .100" Version, Type B (Rows A & B Filled)

62B64 Series



## Ordering Information

**Socket**  
**62B64-100XXX**

**Strain Relief**  
**(Order Separately)**  
**3448-6201**

Mounting Style  
0 = without Mounting Flange  
1 = with Mounting Flange

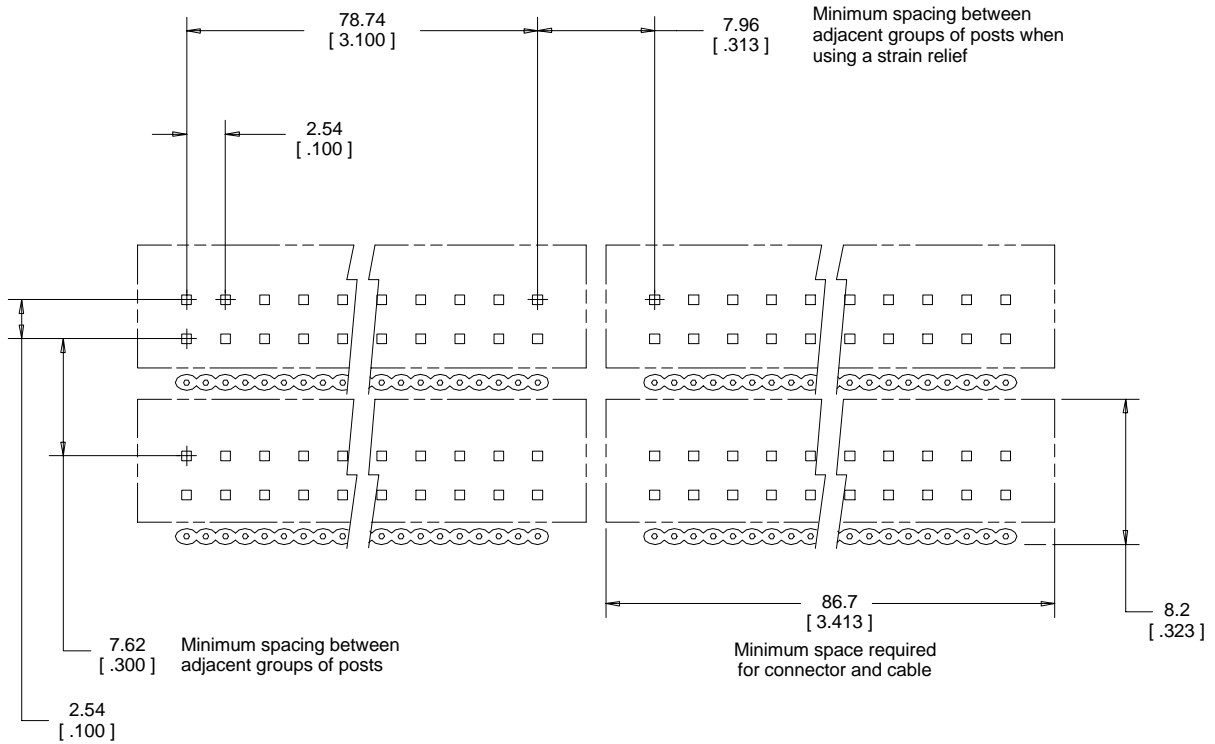
Optional Plating:  
ED = 50μ" [ 1.27 μm ]  
EC = 30μ" [ 0.76 μm ]  
EJ = 5μ" [ 0.13 μm ]

TS-0585-02  
Sheet 2 of 3

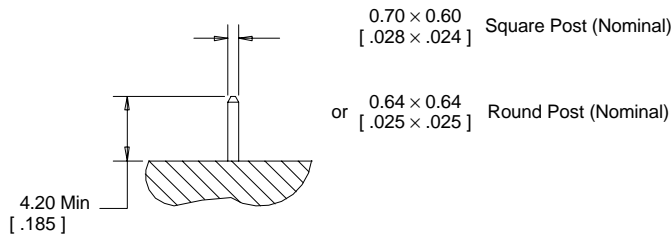
## 3M Interconnect Solutions Division

6801 River Place Blvd.  
Austin, TX 78726-9000

For technical, sales or ordering information call  
**800-225-5373**



Recommended Post Pattern



mm [Inch]			
Tolerance Unless Noted			
	.0	.00	.000
mm	±.3	±.13	

[ ] Dimensions for Reference only

Note:  
 1. Ends of posts to be located within 0.25 [ .01 ] TPD at post end.

TS-0585-02  
 Sheet 3 of 3