

### Features

- Carbon element
- Switch option
- Wide assortment of resistance tapers
- RoHS compliant\*

### Applications

- Audio/TV sets
- Car radio
- Amplifiers/mixers/drum machines/synthesizers
- PCs/monitors
- Appliances

## PDA17 Series - 17 mm Rotary Potentiometer

#### Electrical Characteristics

Taper .....Linear, audio  
 Standard Resistance Range .....1 K ohms to 1 M ohms  
 Standard Resistance Tolerance ....±20 %  
 Residual Resistance .....1 % max.  
 Switch Rating .....1 A @ 12 VAC

#### Environmental Characteristics

Operating Temperature .....-10 °C to +50 °C  
 Power Rating  
 Linear .....0.1 watt  
 Audio .....0.05 watt  
 Maximum Operating Voltage  
 Linear .....200 V  
 Audio .....150 V  
 Sliding Noise .....47 mV max.

#### Mechanical Characteristics

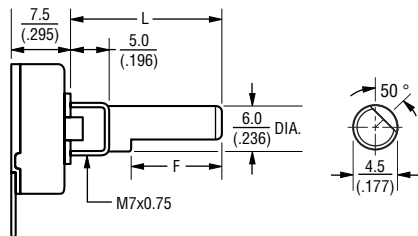
Mechanical Angle .....260 ° ±10 °  
 Rotational Torque .....50 to 350 g-cm  
 Stop Strength.....3 kg-cm min.  
 Rotational Life .....15,000 cycles  
 Soldering Condition  
 .....260 °C max. within 3 seconds  
 Hardware .....One flat washer and mounting nut supplied per potentiometer with bushing  
 Switch Torque .....150 to 450 gf-cm  
 Switch Action Angle.....60 ° max.

#### PDA17 Series Dimensions

K-Shaft (18 Toothed Serration Type)

L	15	20	25	30
	(.591)	(.787)	(.984)	(1.181)
B	6	9	12	12
	(.236)	(.354)	(.472)	(.472)

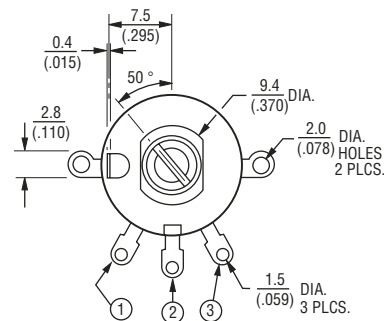
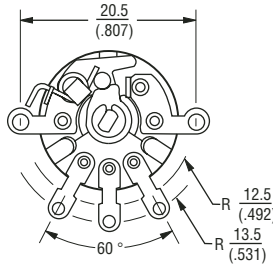
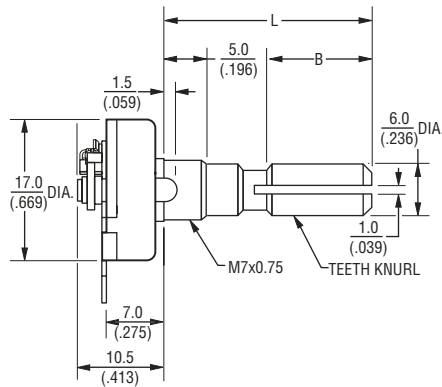
F-Shaft (Metal Flatted Type)



L	15	20	25	30
	(.591)	(.787)	(.984)	(1.181)
F	7	12	12	12
	(.275)	(.472)	(.472)	(.472)

#### Product Dimensions

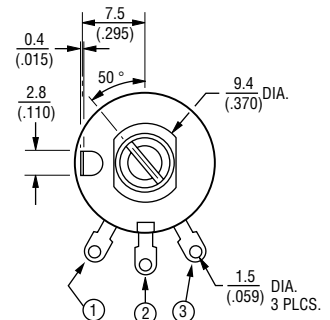
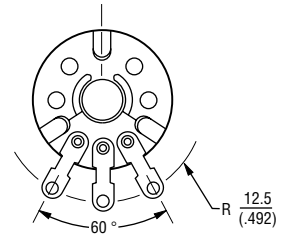
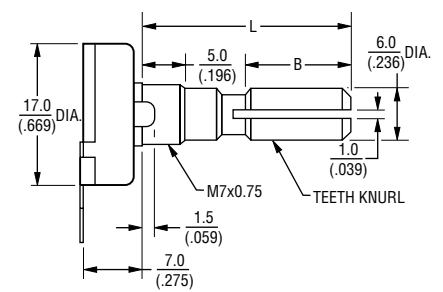
PDA17-SS



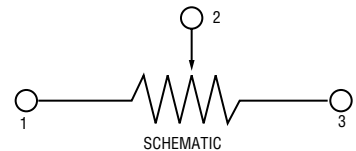
SHAFT SHOWN IN CCW POSITION

DIMENSIONS ARE:  $\frac{\text{MM}}{\text{(INCHES)}}$

PDA17-SN



SHAFT SHOWN IN CCW POSITION



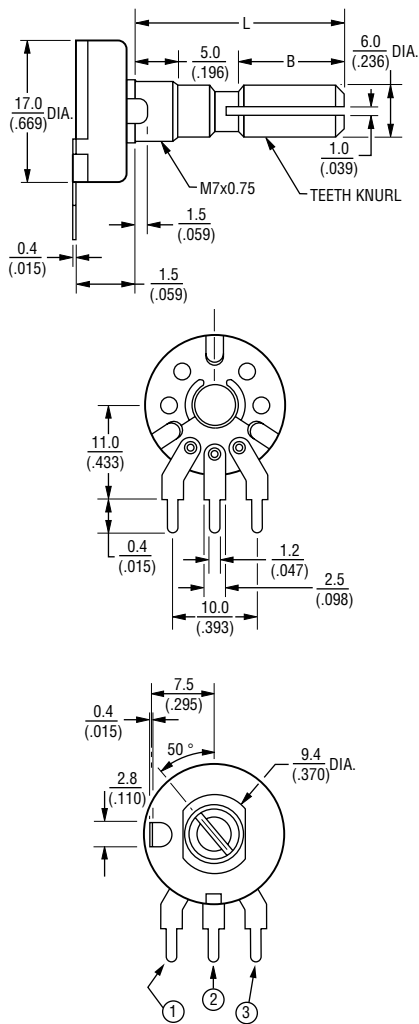
\*RoHS Directive 2002/95/EC Jan 27 2003 including Annex. Specifications are subject to change without notice. Customers should verify actual device performance in their specific applications.

# PDA17 Series - 17 mm Rotary Potentiometer

**BOURNS®**

## Product Dimensions

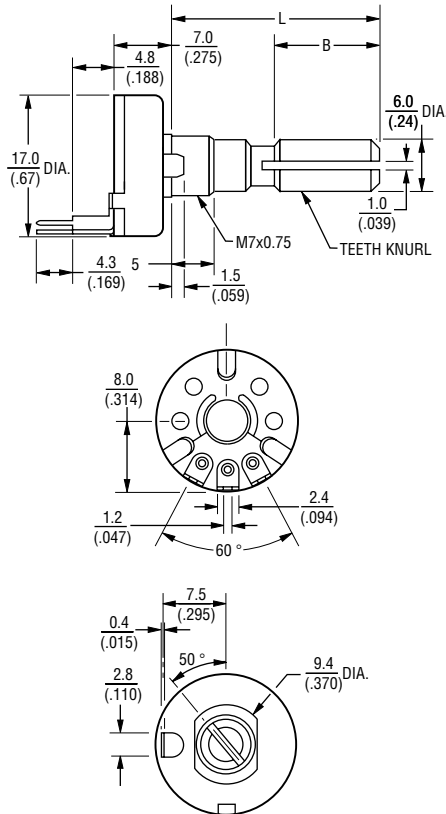
**PDA17-AN**



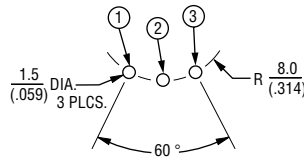
SHAFT SHOWN IN CCW POSITION

DIMENSIONS ARE:  $\frac{\text{MM}}{\text{(INCHES)}}$

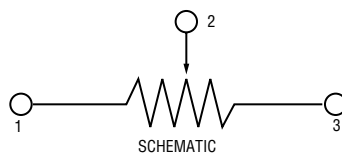
**PDA17-VN**



RECOMMENDED PCB LAYOUT

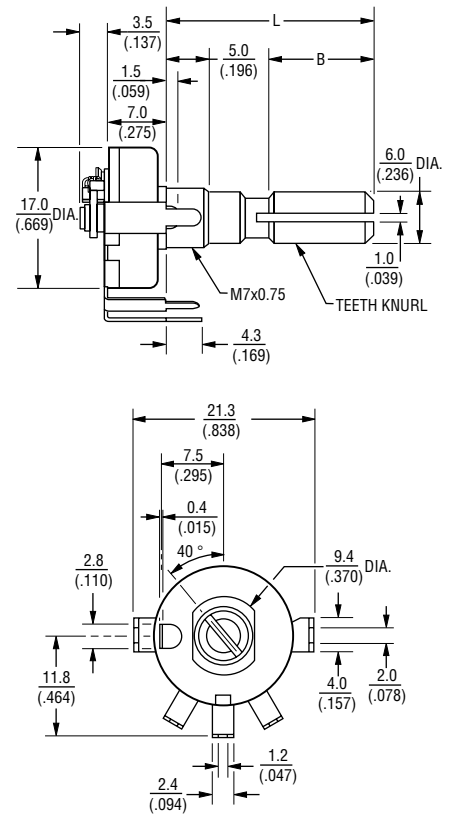


SHAFT SHOWN IN CCW POSITION

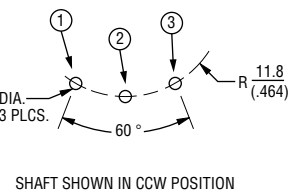
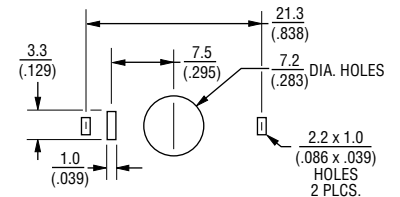


SCHEMATIC

**PDA17-PS25**



RECOMMENDED PCB LAYOUT



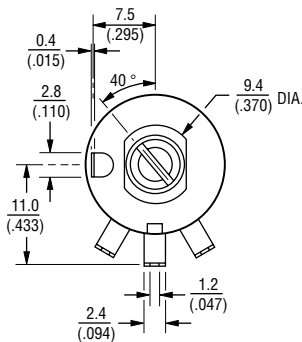
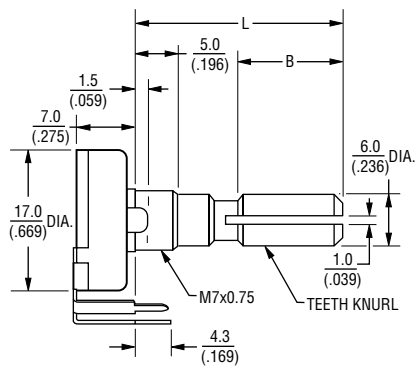
SHAFT SHOWN IN CCW POSITION

# PDA17 Series - 17 mm Rotary Potentiometer

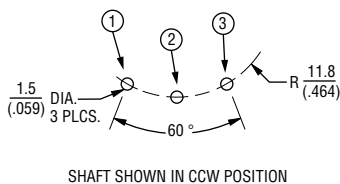
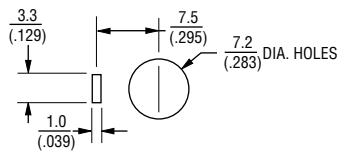
**BOURNS®**

## Product Dimensions

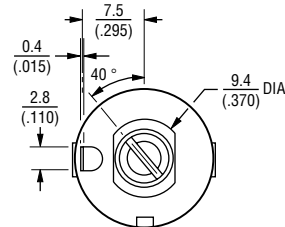
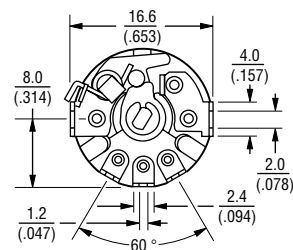
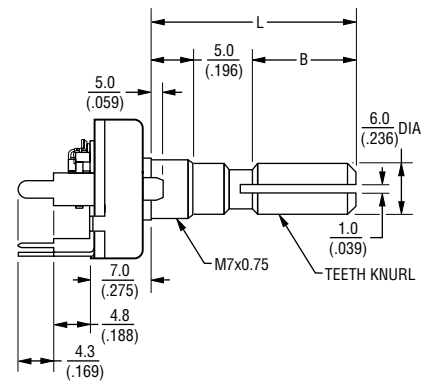
PDA17-PN25



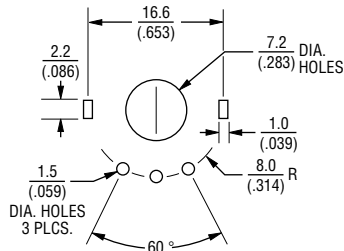
RECOMMENDED PCB LAYOUT



PDA17-VS25



RECOMMENDED PCB LAYOUT



SHAFT SHOWN IN CCW POSITION

DIMENSIONS ARE:  $\frac{\text{MM}}{\text{(INCHES)}}$

## How To Order

**PDA17 - V N 20 - 102 A K**

- Model \_\_\_\_\_
- Terminal Configuration \_\_\_\_\_
- S = Solder Lugs
  - A = PC Pins vertical/Down Facing
  - V = PC Pins horizontal/Rear Facing
  - P = PC Pins Front Facing
- Switch Option \_\_\_\_\_
- S = Switch
  - N = No Switch
- Standard Shaft Length \_\_\_\_\_
- 15 = 15 mm
  - 20 = 20 mm
  - 25 = 25 mm
  - 30 = 30 mm
- Resistance Code (See Table) \_\_\_\_\_
- Resistance Taper \_\_\_\_\_
- A = Audio Taper
  - B = Linear Taper
- Shaft Style \_\_\_\_\_
- K = Metal Knurled Shaft
  - 18 Toothed Serration Type
  - F = Metal Flatted Shaft
- Other configurations or styles available.

## Standard Resistance Table

Resistance (Ohms)	Resistance Code
1,000	102
2,000	202
5,000	502
10,000	103
20,000	203
50,000	503
100,000	104
200,000	204
500,000	504
1,000,000	105

## Derating Curve

