



STD790A

MEDIUM CURRENT, HIGH PERFORMANCE, LOW VOLTAGE PNP TRANSISTOR

Type	Marking
STD790A	D790A

- VERY LOW COLLECTOR TO EMITTER SATURATION VOLTAGE
- DC CURRENT GAIN, $h_{FE} > 100$
- 3 A CONTINUOUS COLLECTOR CURRENT
- 60 V BREAKDOWN VOLTAGE ($V_{(BR)CER}$)
- SURFACE MOUNTING DPAK (TO-252) POWER PACKAGE IN TAPE & REEL (Suffix "T4")

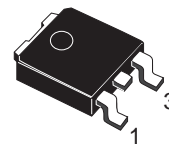
APPLICATIONS

- SWITCHING REGULATOR IN BATTERY CHARGER APPLICATIONS
- SUITABLE FOR AUTOMOTIVE APPLICATIONS ($V_{(BR)CER} > 60V$)
- VOLTAGE REGULATION IN BIAS SUPPLY CIRCUITS
- HEAVY LOAD DRIVER

DESCRIPTION

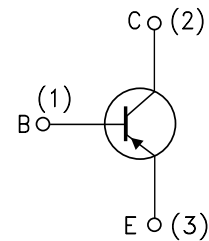
The device is manufactured in low voltage PNP Planar Technology by using a "Base Island" layout.

The resulting Transistor shows exceptional high gain performance coupled with very low saturation voltage.



**DPAK
(TO-252)**
(Suffix "T4")

INTERNAL SCHEMATIC DIAGRAM



SC08810

ABSOLUTE MAXIMUM RATINGS

Symbol	Parameter	Value	Unit
V_{CBO}	Collector-Base Voltage ($I_E = 0$)	-60	V
V_{CER}	Collector-Emitter Voltage ($R_{BE} = 47\Omega$)	-60	V
V_{EBO}	Emitter-Base Voltage ($I_C = 0$)	-5	V
I_C	Collector Current	-3	A
I_{CM}	Collector Peak Current ($t_p < 5$ ms)	-6	A
P_{tot}	Total Dissipation at $T_C = 25$ °C	15	W
T_{stg}	Storage Temperature	-65 to 150	°C
T_j	Max. Operating Junction Temperature	150	°C

STD790A

THERMAL DATA

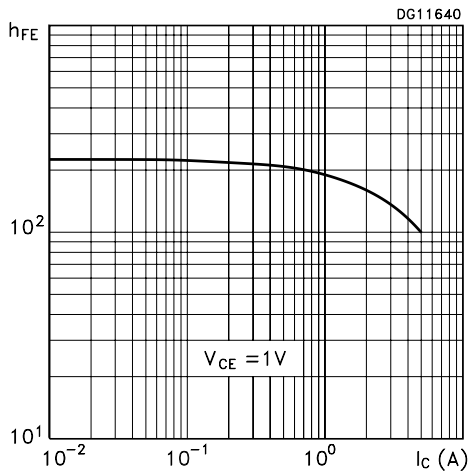
$R_{thj-case}$	Thermal Resistance Junction-Case	Max	8.33	$^{\circ}C/W$
----------------	----------------------------------	-----	------	---------------

ELECTRICAL CHARACTERISTICS ($T_{case} = 25^{\circ}C$ unless otherwise specified)

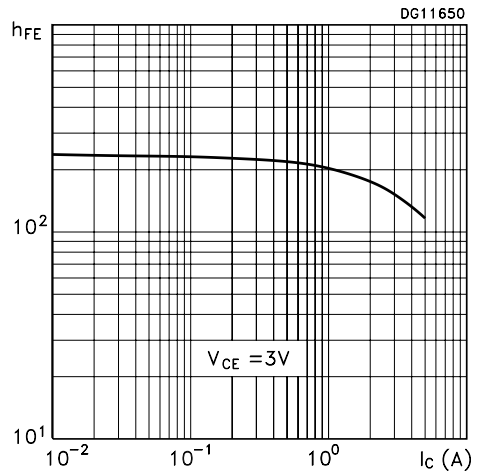
Symbol	Parameter	Test Conditions	Min.	Typ.	Max.	Unit
I_{CBO}	Collector Cut-off Current ($I_E = 0$)	$V_{CB} = -30 V$ $V_{CB} = -30 V$ $T_j = 100^{\circ}C$			-0.1 -10	μA μA
I_{EBO}	Emitter Cut-off Current ($I_C = 0$)	$V_{EB} = -4 V$			-1	μA
$V_{(BR)CER}^*$	Collector-Emitter Breakdown Voltage ($R_{BE} = 47\Omega$)	$I_C = -10 mA$	-60			V
$V_{(BR)CBO}$	Collector-Base Breakdown Voltage ($I_E = 0$)	$I_C = -100 \mu A$	-60			V
$V_{(BR)EBO}$	Emitter-Base Breakdown Voltage ($I_C = 0$)	$I_E = -100 \mu A$	-5			V
$V_{CE(sat)}^*$	Collector-Emitter Saturation Voltage	$I_C = -0.5A$ $I_B = -5mA$ $I_C = -1A$ $I_B = -10mA$ $I_C = -2A$ $I_B = -20mA$ $I_C = -3A$ $I_B = -30mA$ $I_C = -3A$ $I_B = -30mA$ $T_j = 100^{\circ}C$			-0.15 -0.3 -0.5 -0.7 -0.9	V V V V V
$V_{BE(sat)}^*$	Base-Emitter Saturation Voltage	$I_C = -1 A$ $I_B = -10 mA$		-0.8	-1.0	V
$V_{BE(on)}$	Base-Emitter Turn-On Voltage	$I_C = -1 A$ $V_{CE} = -2 V$		-0.8	-1	V
h_{FE}^*	DC Current Gain	$I_C = -10 mA$ $V_{CE} = -2 V$ $I_C = -500 mA$ $V_{CE} = -2 V$ $I_C = -1 A$ $V_{CE} = -2 V$ $I_C = -2 A$ $V_{CE} = -1 V$ $I_C = -3 A$ $V_{CE} = -1V$	100 100 100 100 90	200 200 160 130	300 300	
f_T	Transition Frequency	$I_C = -50 mA$ $V_{CE} = -5V$ $f = 50MHz$	100			MHz
t_d t_r t_s t_f	RESISTIVE LOAD Delay Time RiseTime StorageTime Fall Time	$I_C = -3 A$ $I_{B1} = - I_{B2} = -60 mA$ $V_{CC} = -20 V$ (see figure 1)		180 160 250 80	220 210 300 100	ns ns ns ns

* Pulsed: Pulse duration = 300 μs , duty cycle $\leq 1.5\%$

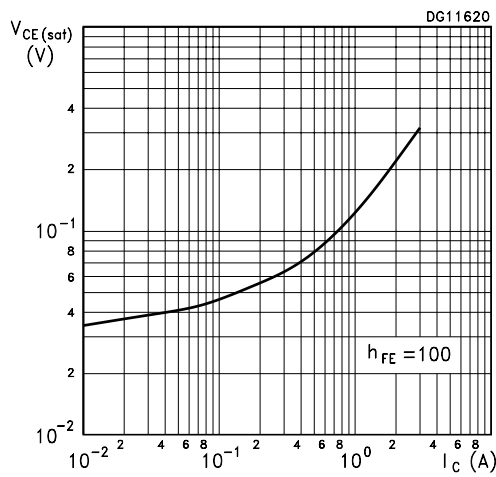
DC Current Gain



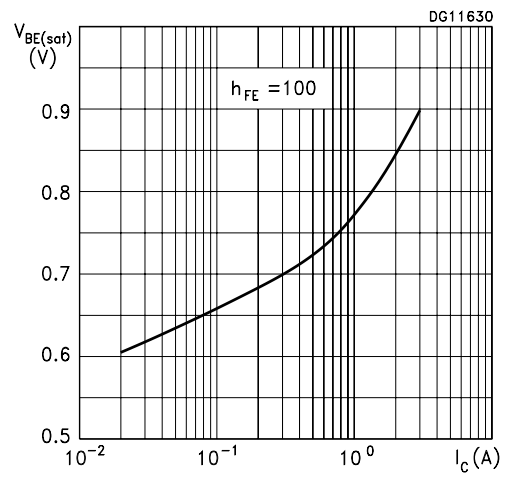
DC Current Gain



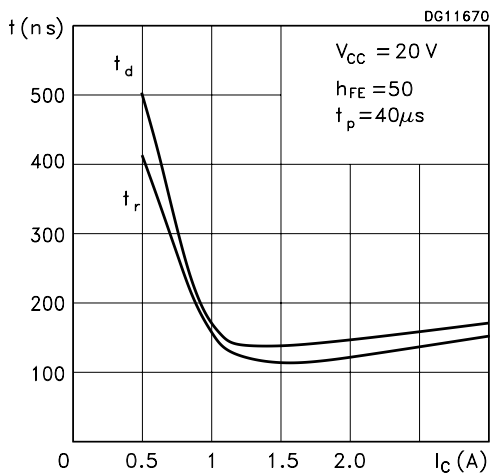
Collector-Emitter Saturation Voltage



Base-Emitter Saturation Voltage



Switching Times Resistive Load



Switching Times Resistive Load

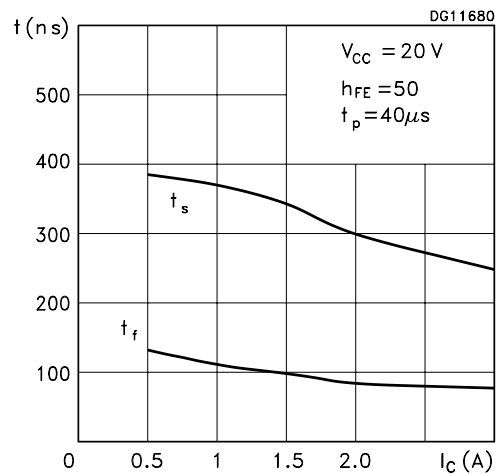
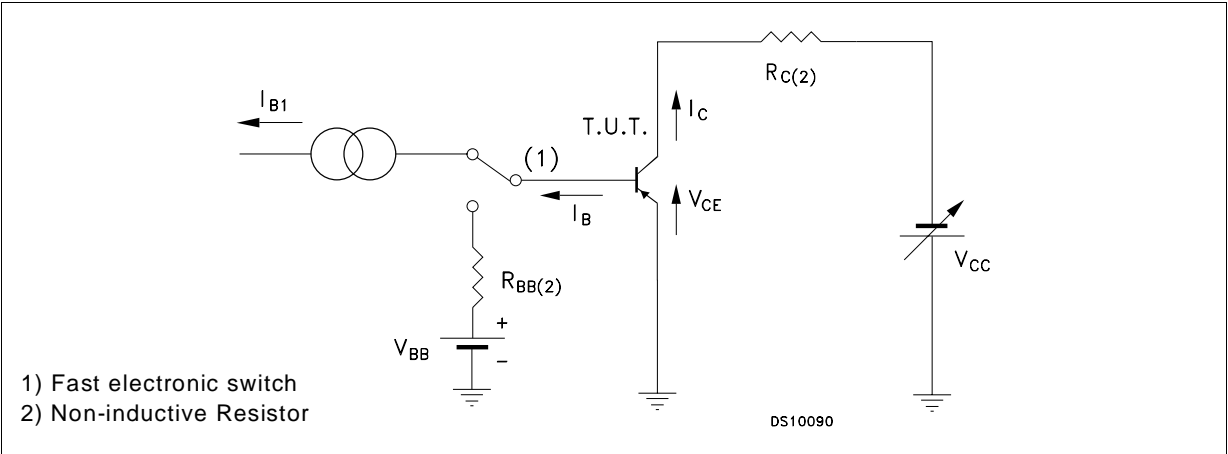
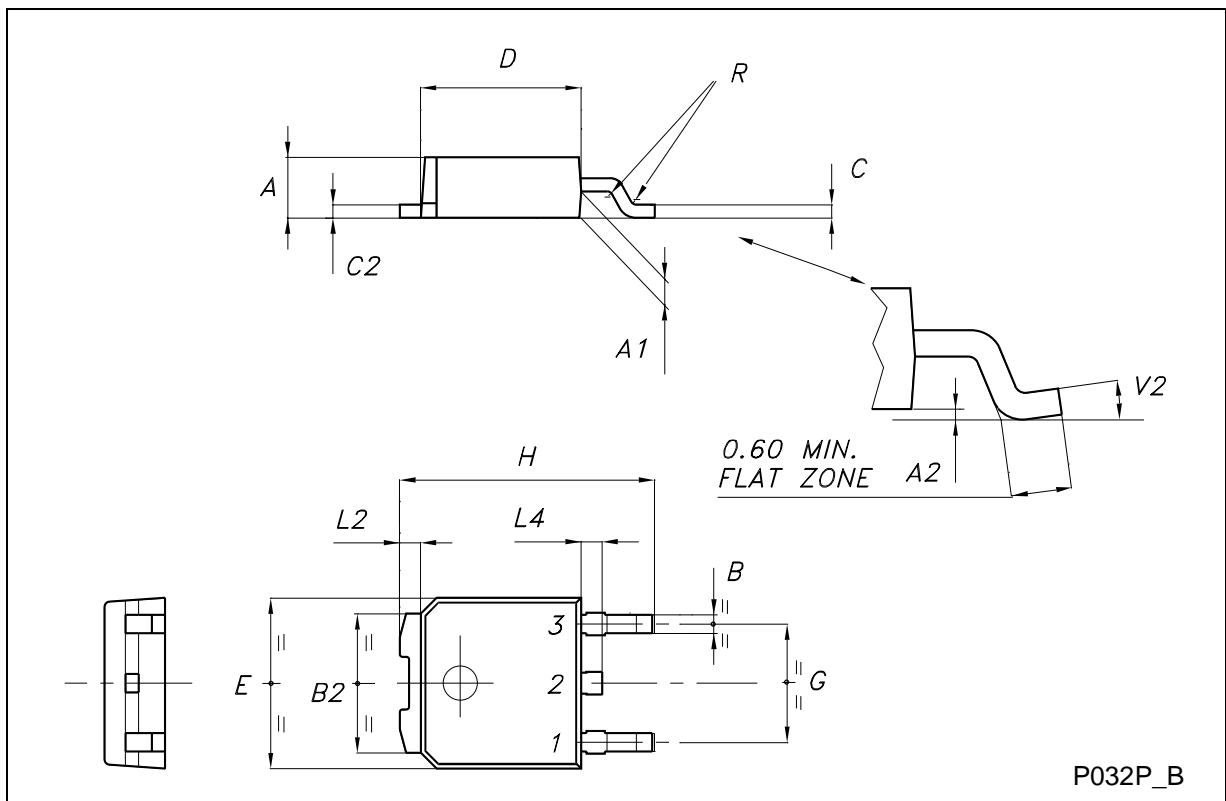


Figure 1: Resistive Load Switching Test Circuit.



TO-252 (DPAK) MECHANICAL DATA

DIM.	mm			inch		
	MIN.	TYP.	MAX.	MIN.	TYP.	MAX.
A	2.20		2.40	0.087		0.094
A1	0.90		1.10	0.035		0.043
A2	0.03		0.23	0.001		0.009
B	0.64		0.90	0.025		0.035
B2	5.20		5.40	0.204		0.213
C	0.45		0.60	0.018		0.024
C2	0.48		0.60	0.019		0.024
D	6.00		6.20	0.236		0.244
E	6.40		6.60	0.252		0.260
G	4.40		4.60	0.173		0.181
H	9.35		10.10	0.368		0.398
L2		0.8			0.031	
L4	0.60		1.00	0.024		0.039
V2	0°		8°	0°		0°



Information furnished is believed to be accurate and reliable. However, STMicroelectronics assumes no responsibility for the consequences of use of such information nor for any infringement of patents or other rights of third parties which may result from its use. No license is granted by implication or otherwise under any patent or patent rights of STMicroelectronics. Specification mentioned in this publication are subject to change without notice. This publication supersedes and replaces all information previously supplied. STMicroelectronics products are not authorized for use as critical components in life support devices or systems without express written approval of STMicroelectronics.

The ST logo is a trademark of STMicroelectronics

© 2003 STMicroelectronics – Printed in Italy – All Rights Reserved

STMicroelectronics GROUP OF COMPANIES

Australia - Brazil - Canada - China - Finland - France - Germany - Hong Kong - India - Israel - Italy - Japan - Malaysia - Malta - Morocco - Singapore - Spain - Sweden - Switzerland - United Kingdom - United States.

<http://www.st.com>