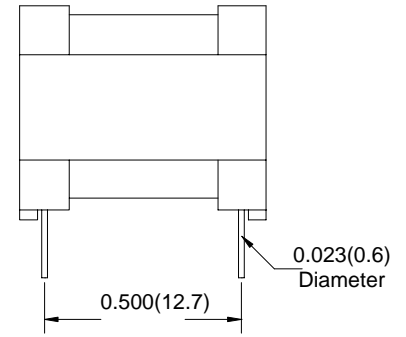
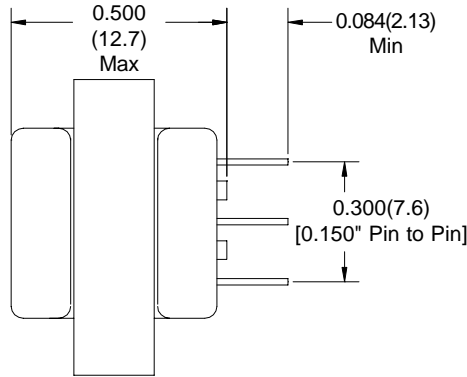
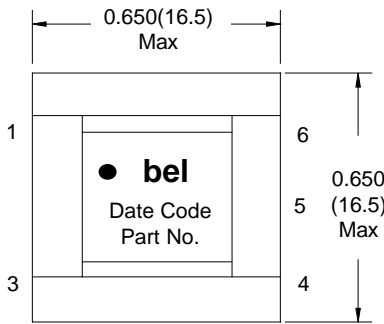


# V.34 MODEM TRANSFORMERS

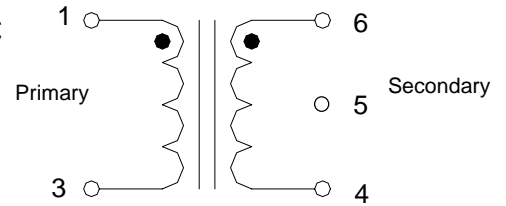
0574-1000-15 and 0574-1000-16

TM0054

## MECHANICALS



## SCHEMATIC

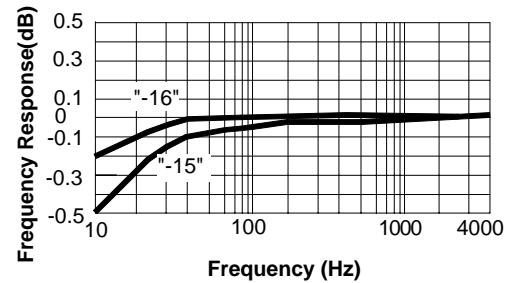


## ELECTRICALS

SPECIFICATIONS		UNITS
Suitable for modem speeds up to:	56	Kb/s
Reflects 600 ohm at Pri with $R_{load}$	340	ohms
D.C. Resistance, 20°C, +/- 10%, Pri	120	ohms
D.C. Resistance, 20°C, +/- 10%, Sec	145	ohms
Frequency Response, 100 to 4000Hz	+/- 0.2	dB
Insertion Loss at 1KHz, 20°C	2.5 Max	dB
Return Loss vs 600 ohms at 1KHz	40 Typ	dB
Direct Current	None	--
Dielectric Test Pri-Sec, Pri to core	1250	VAC
Turns Ratio (Pri-Sec) 1KHz, +/- 1%	1:1	--
Longitudinal Balance 60 to 1000Hz	70 Min	dB
Longitudinal Balance 1000 to 4000Hz	60 Min	dB
Total Harmonic Distortion 600Hz @ -10dBm	- 86 Max	dB

Pin 5 is not connected.  
Transformer can be supplied without this pin if desired.

### TYPICAL FREQUENCY RESPONSE



### TYPICAL DISTORTION FIGURES (T.H.D.)

PART NUMBER	Ref	100 Hz	150 Hz	200 Hz	250 Hz	300 Hz	600 Hz
0574-1000-15	-10 dBm	-70	-77	-81	-84	-87	-93
0574-1000-16	-10 dBm	-76	-81	-84	-86	-88	-94

All dimensions are in inches(mm).  
The dimension tolerance is +/- 0.01(0.25) unless otherwise specified.

#### Corporate Office

**Bel Fuse Inc.**  
198 Van Vorst Street, Jersey City, NJ 07302-4496  
Tel: 201-432-0463  
Fax: 201-432-9542  
E-Mail: BelFuse@belfuse.com  
Internet: <http://www.belfuse.com>

#### Far East Office

**Bel Fuse Ltd.**  
8F/8 Luk Hop Street  
San Po Kong  
Kowloon, Hong Kong  
Tel: 852-2328-5515  
Fax: 852-2352-3706

#### European Office

**Bel Fuse Europe Ltd.**  
Preston Technology Management Centre  
Marsh Lane, Preston PR1 8UD  
Lancashire, U.K.  
Tel: 44-1772-556601  
Fax: 44-1772-888366